



US00D900246S

(12) **United States Design Patent**  
**Kelley et al.**

(10) **Patent No.:** **US D900,246 S**  
(45) **Date of Patent:** **\*\* Oct. 27, 2020**

(54) **TOY BUILDING PANEL**

(71) Applicant: **Squaregles LLC**, Highland Park, IL (US)

(72) Inventors: **Joseph M. Kelley**, Highland Park, IL (US); **Noah J. Ornstein**, Highland Park, IL (US)

(73) Assignee: **Squaregles LLC**, Highland Park, IL (US)

(\*\*) Term: **15 Years**

(21) Appl. No.: **29/714,677**

(22) Filed: **Nov. 25, 2019**

**Related U.S. Application Data**

(62) Division of application No. 29/609,380, filed on Jun. 29, 2017, now Pat. No. Des. 884,802.

(51) **LOC (12) Cl.** ..... **21-01**

(52) **U.S. Cl.**  
USPC ..... **D21/491**

(58) **Field of Classification Search**  
USPC ..... D21/478, 479, 484, 485–505  
CPC ..... A63H 33/00; A63H 33/04; A63H 33/06;  
A63H 33/08; A63H 33/10; A63H 33/12;  
(Continued)

(56) **References Cited**

**U.S. PATENT DOCUMENTS**

1,863,995 A 6/1932 Ponstingl  
2,951,311 A 9/1960 Luther  
2,968,118 A 1/1961 Paulson  
(Continued)

**FOREIGN PATENT DOCUMENTS**

CN 201591981 U 9/2010  
CN ZL2016304680837 3/2017  
(Continued)

**OTHER PUBLICATIONS**

International Search Report dated Jan. 7, 2015 for PCT/US2014/054902.

(Continued)

*Primary Examiner* — Cynthia M. Chin  
(74) *Attorney, Agent, or Firm* — Fitch, Even, Tabin & Flannery LLP

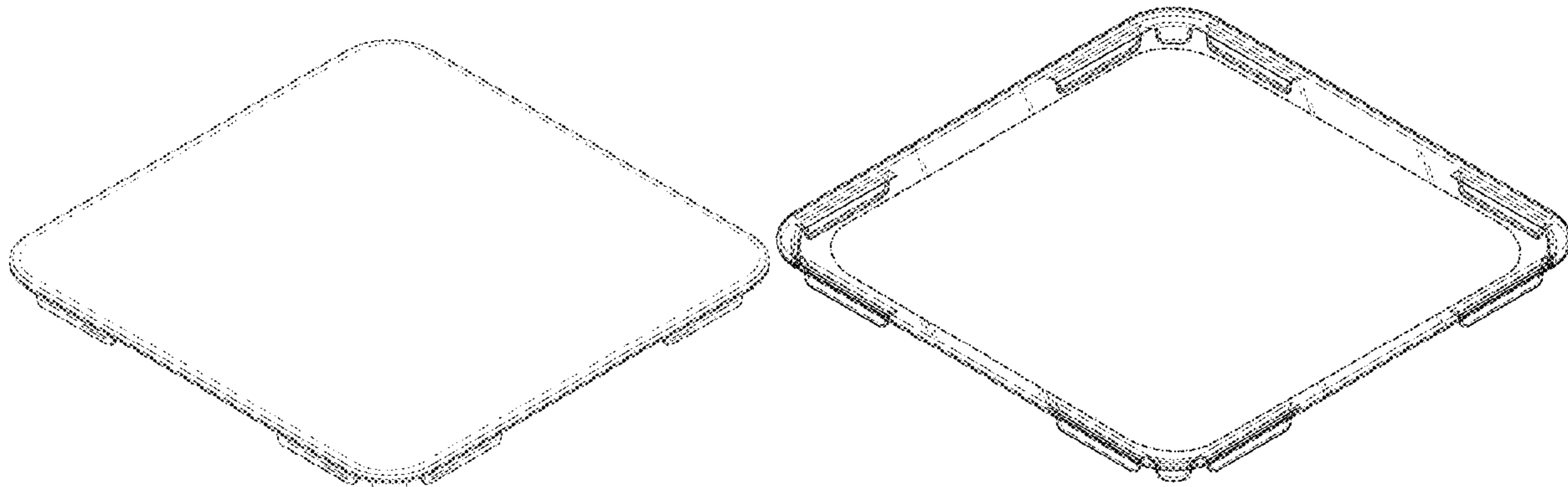
(57) **CLAIM**

The ornamental design for a toy building panel, as shown and described.

**DESCRIPTION**

FIG. 1 is a top perspective view of a toy building panel in accordance with a first embodiment of our new design; FIG. 2 is a bottom perspective view thereof; FIG. 3 is a top plan view thereof; FIG. 4 is a left side elevation view thereof, the front, rear, and right side elevation views being identical thereto; FIG. 5 is a bottom plan view thereof; FIG. 6 is a top perspective view of a toy building panel in accordance with a second embodiment of our new design; FIG. 7 is a bottom perspective view thereof; FIG. 8 is a top plan view thereof; FIG. 9 is a left side elevation view thereof, the front, rear, and right side elevation views being identical thereto; and, FIG. 10 is a bottom plan view thereof. The broken lines illustrate portions of the toy building panel that form no part of the claimed design. The oblique shade lines in FIGS. 6-10 represent a transparent or translucent surface and not surface ornamentation. The dash-dot lines in FIGS. 1-3, 5-8, and 10 represent an unclaimed boundary that forms no part of the claimed design.

**1 Claim, 8 Drawing Sheets**



(58) **Field of Classification Search**  
 CPC .. A63H 33/14; A63F 9/08; A63F 9/12; G09B  
 1/36  
 See application file for complete search history.

(56) **References Cited**

U.S. PATENT DOCUMENTS

3,032,919 A \* 5/1962 Amsler ..... A63H 33/084  
 446/112  
 3,271,895 A \* 9/1966 Sørensen ..... A63H 33/102  
 16/386  
 3,661,689 A 5/1972 Spanier  
 3,712,539 A 1/1973 Staats  
 3,768,846 A 10/1973 Hensley  
 D233,678 S \* 11/1974 Harvey ..... D21/491  
 3,872,620 A \* 3/1975 Daenen ..... A63H 33/06  
 446/112  
 D234,706 S \* 4/1975 Harvey ..... D21/489  
 3,890,738 A 6/1975 Bassani  
 3,902,291 A 9/1975 Zucht  
 3,998,004 A 12/1976 Ehrlich  
 D249,976 S \* 10/1978 Gronert ..... D21/491  
 4,192,083 A 3/1980 Rebeck  
 4,193,221 A 3/1980 Beck  
 4,227,337 A 10/1980 Murray  
 4,255,837 A 3/1981 Holtz  
 4,258,479 A 3/1981 Roane  
 4,334,870 A 6/1982 Roane  
 4,334,871 A 6/1982 Roane  
 4,345,762 A 8/1982 Lebelson  
 4,561,223 A 12/1985 Gold  
 4,884,988 A 12/1989 McMurray  
 5,009,625 A 4/1991 Longuet-Higgins  
 5,021,021 A 6/1991 Ballard  
 5,134,812 A 8/1992 Hoffman  
 5,161,827 A 11/1992 Grosso  
 5,222,902 A 6/1993 Piersch  
 5,230,172 A 7/1993 Hsu  
 D353,866 S \* 12/1994 Houry ..... D21/490  
 5,417,603 A 5/1995 De Chazal  
 5,482,491 A 1/1996 Kichijyo  
 D380,787 S \* 7/1997 Gabriel ..... D21/489  
 D380,790 S \* 7/1997 Gabriel ..... D21/489  
 D380,791 S 7/1997 Gabriel  
 5,803,146 A 9/1998 Boon  
 5,830,032 A 11/1998 Campbell  
 D404,090 S \* 1/1999 Glickman ..... D21/491  
 5,860,264 A 1/1999 Gephart  
 5,871,384 A 2/1999 Kichijo  
 5,888,114 A 3/1999 Slocum et al.  
 5,895,045 A \* 4/1999 Vilar ..... A63H 33/06  
 273/160  
 6,032,590 A 3/2000 Chen  
 6,073,404 A \* 6/2000 Norfleet ..... A63H 33/044  
 446/109  
 6,113,203 A 9/2000 Chen  
 6,298,591 B1 10/2001 Healy  
 6,431,936 B1 8/2002 Kiribuchi  
 6,464,553 B2 10/2002 Huang  
 6,488,346 B2 12/2002 Chen  
 6,500,007 B2 12/2002 Pupulin  
 6,565,406 B2 \* 5/2003 Huang ..... A63H 33/042  
 446/104  
 6,824,440 B2 11/2004 Brener  
 6,969,294 B2 11/2005 Vicentelli  
 7,004,082 B2 2/2006 Yang  
 7,066,778 B2 6/2006 Kretzschmar  
 D532,054 S 11/2006 Kim  
 7,154,363 B2 12/2006 Hunts  
 7,273,404 B2 9/2007 Kowalski  
 7,364,487 B2 4/2008 Evans  
 7,373,748 B2 5/2008 Pitcher  
 7,520,080 B2 4/2009 Pitcher

7,559,821 B2 7/2009 Pacheco  
 7,743,541 B2 6/2010 Suci  
 7,833,078 B2 11/2010 Kretzschmar  
 7,922,417 B2 4/2011 Jimenez  
 8,282,438 B2 10/2012 Tamulewicz  
 8,753,162 B2 6/2014 Jensen  
 D713,474 S 9/2014 Roberson  
 8,850,683 B2 10/2014 Haughey  
 8,875,427 B2 11/2014 Valiulis  
 D718,822 S 12/2014 Lee  
 8,904,688 B1 12/2014 Rue  
 9,266,030 B2 2/2016 Graube  
 9,314,707 B2 4/2016 Ornstein  
 9,345,980 B2 5/2016 Lee  
 D776,830 S 1/2017 Malpesa Guerrero  
 D776,831 S 1/2017 Malpesa Guerrero  
 D784,938 S 4/2017 Wang  
 D789,312 S 6/2017 Wang  
 9,713,777 B2 7/2017 Peterson  
 9,734,733 B2 8/2017 Murtagh  
 D809,071 S 1/2018 Liu  
 D810,207 S \* 2/2018 Jasper ..... D21/491  
 9,887,049 B2 2/2018 De La Rosa  
 D829,830 S \* 10/2018 Wakim ..... D21/491  
 2001/0004817 A1 6/2001 Auer  
 2001/0010992 A1 8/2001 Brazier  
 2002/0193046 A1 12/2002 Zebersky  
 2005/0241197 A1 11/2005 Ternovits  
 2006/0166590 A1 7/2006 Ishikawa  
 2009/0013576 A1 1/2009 Jake  
 2009/0217560 A1 9/2009 Topcuoglu  
 2010/0192437 A1 8/2010 Fallander  
 2010/0251659 A1 10/2010 Hughes  
 2011/0039473 A1 2/2011 Kretzschmar  
 2011/0092129 A1 4/2011 Aggar  
 2012/0200561 A1 8/2012 Bando  
 2013/0072086 A1 3/2013 Saneshige  
 2013/0095722 A1 4/2013 Cochella  
 2014/0109448 A1 4/2014 Lehrkamp  
 2014/0202054 A1 7/2014 Valentine  
 2014/0227934 A1 8/2014 Rudisill  
 2014/0256210 A1 \* 9/2014 Johnson ..... A63H 33/046  
 446/108  
 2015/0367247 A1 12/2015 Kosmo  
 2016/0184727 A1 6/2016 Ornstein

FOREIGN PATENT DOCUMENTS

CN ZL2016304680841 3/2017  
 CN ZL2016304683356 3/2017  
 CN ZL2016304663579 5/2017  
 CN ZL2016304663776 5/2017  
 CN ZL2016304665771 5/2017  
 CN ZL2016304666238 5/2017  
 CN ZL2016304668017 5/2017  
 CN ZL2016304682442 5/2017  
 KR 200414572 4/2006  
 KR 1020120082517 7/2012  
 KR 101415746 B1 7/2014  
 WO 2011139013 A1 11/2011  
 WO 2015038581 A1 3/2015  
 WO 2015123119 A1 8/2015  
 WO 2015141927 A1 9/2015

OTHER PUBLICATIONS

Magformers XL Cruisers Construction Set, available at <http://www.amazon.com/Magformers-XL-Cruisers-Construction-Set/dp/B008EGIIEM>, available Apr. 23, 2013 according to archive.org/web.  
 PCT App. No. PCT/US2017/019120; International Search Report and Written Opinion dated May 5, 2017; pp. 1-48.

\* cited by examiner

FIG. 1

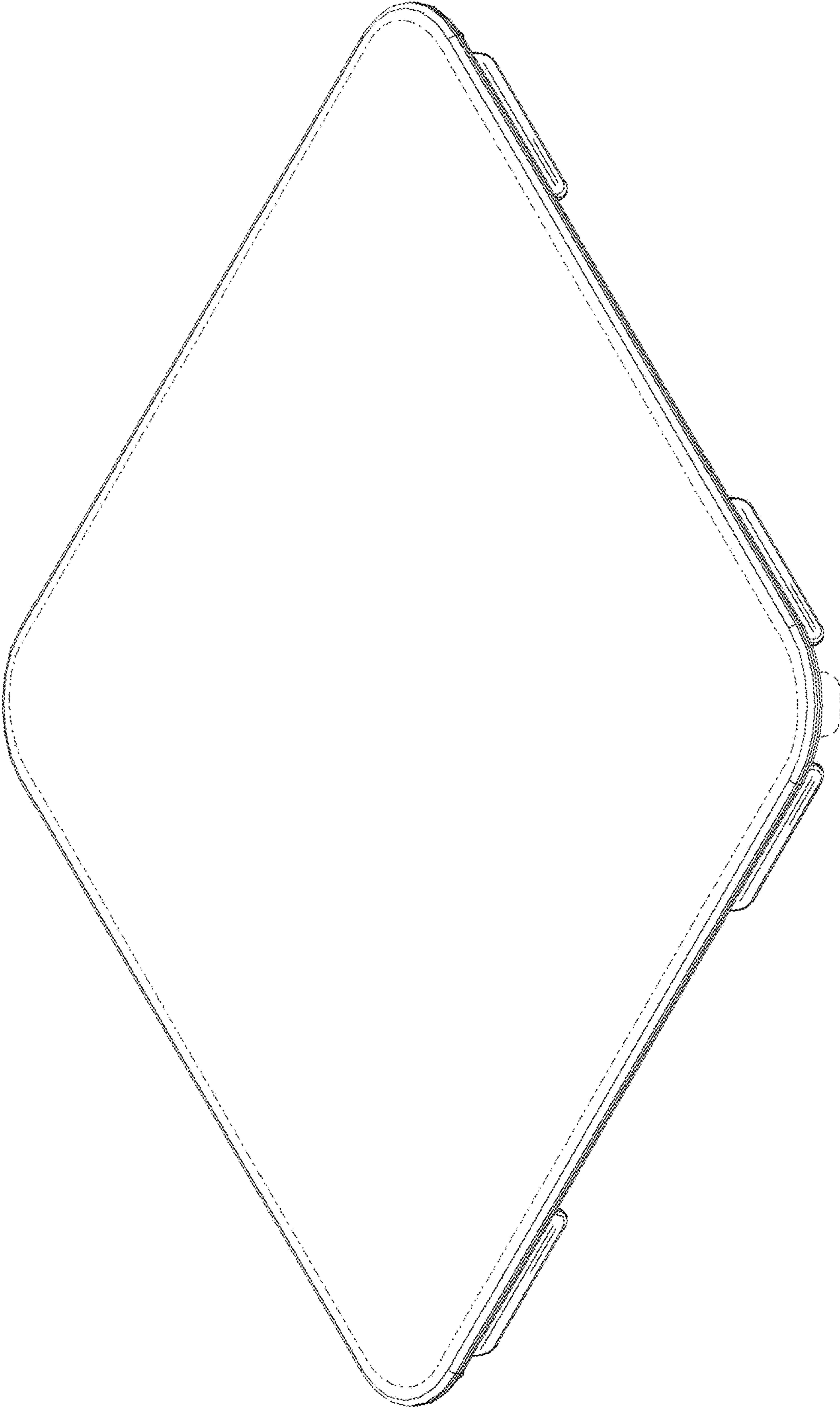


FIG. 2

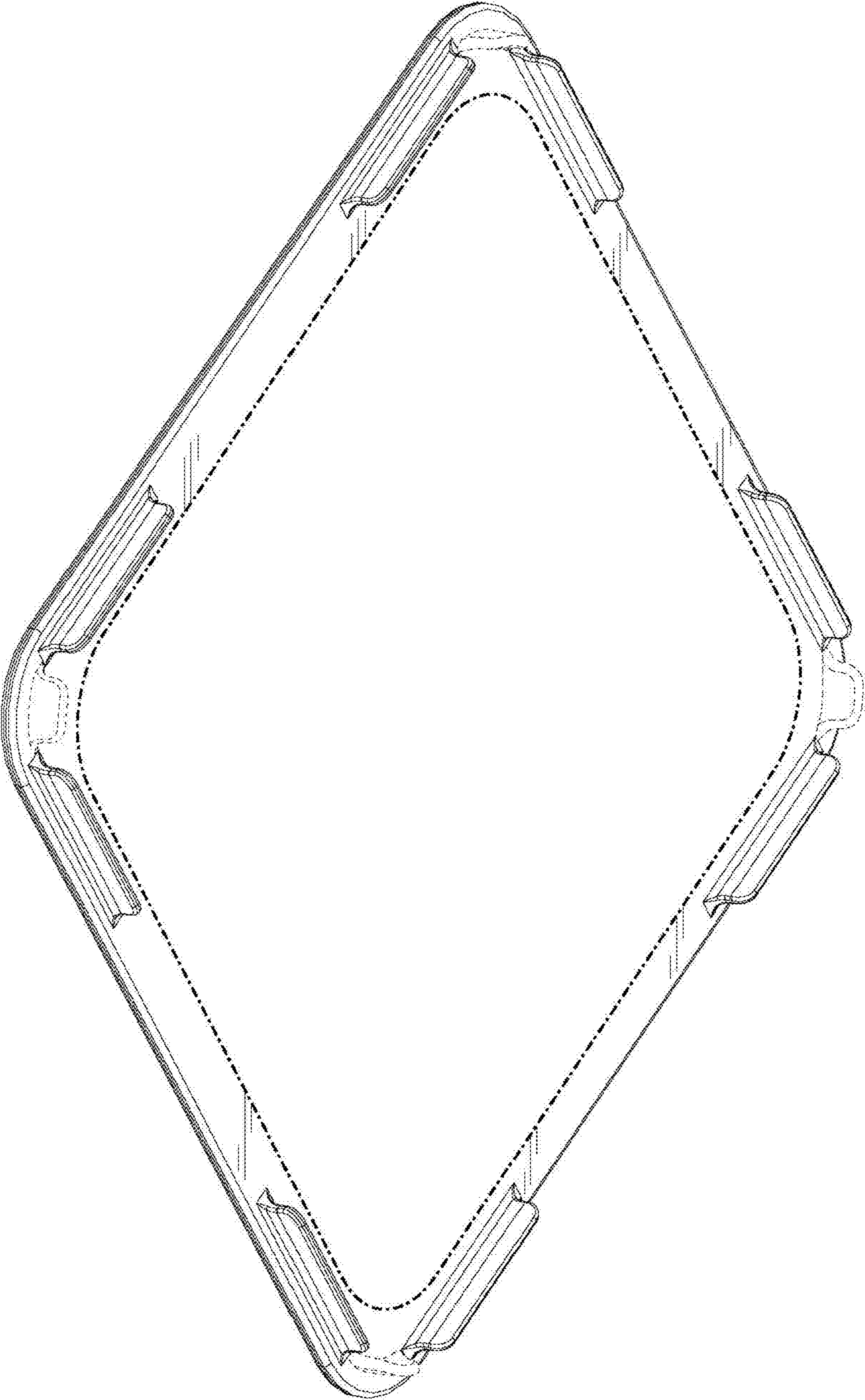


FIG. 3

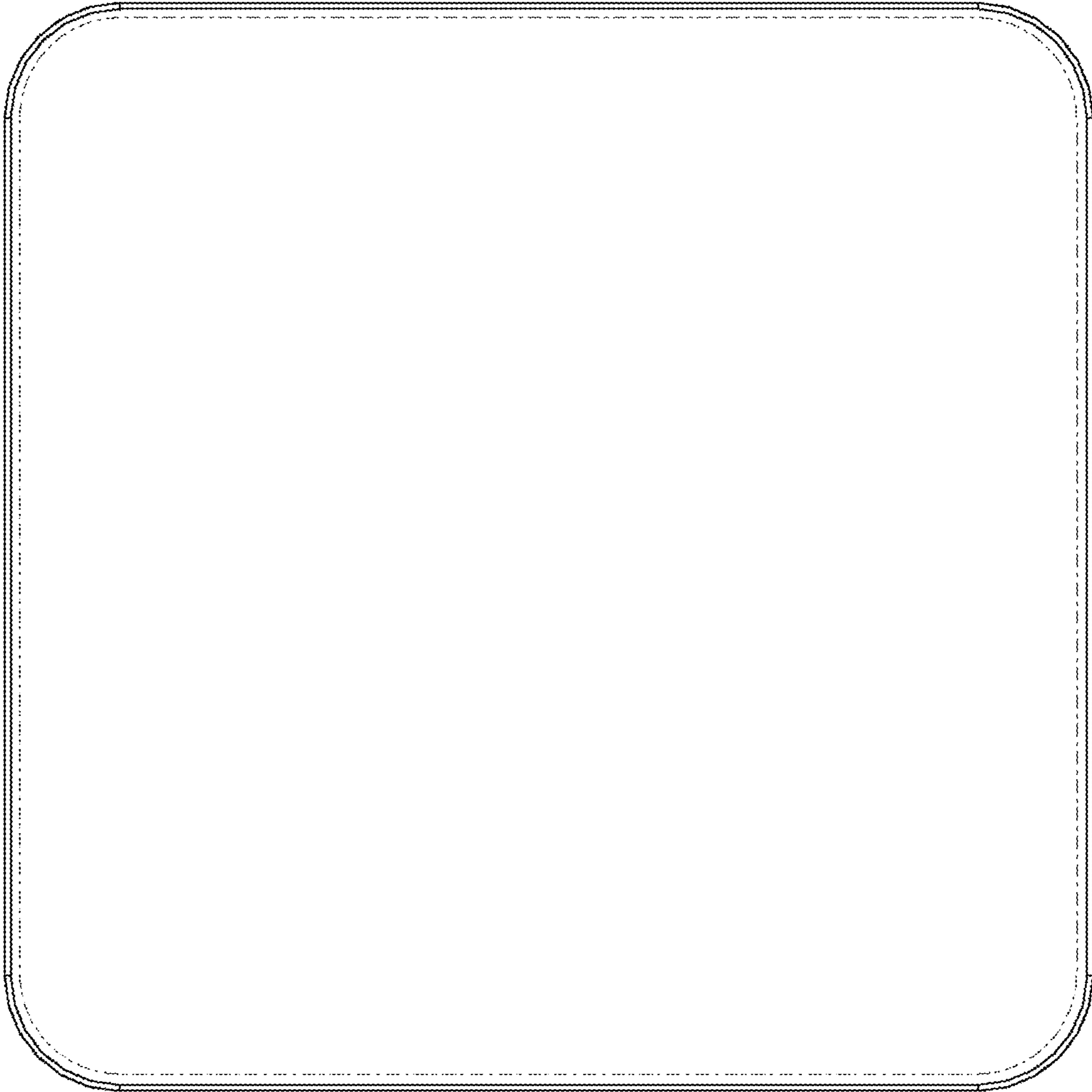
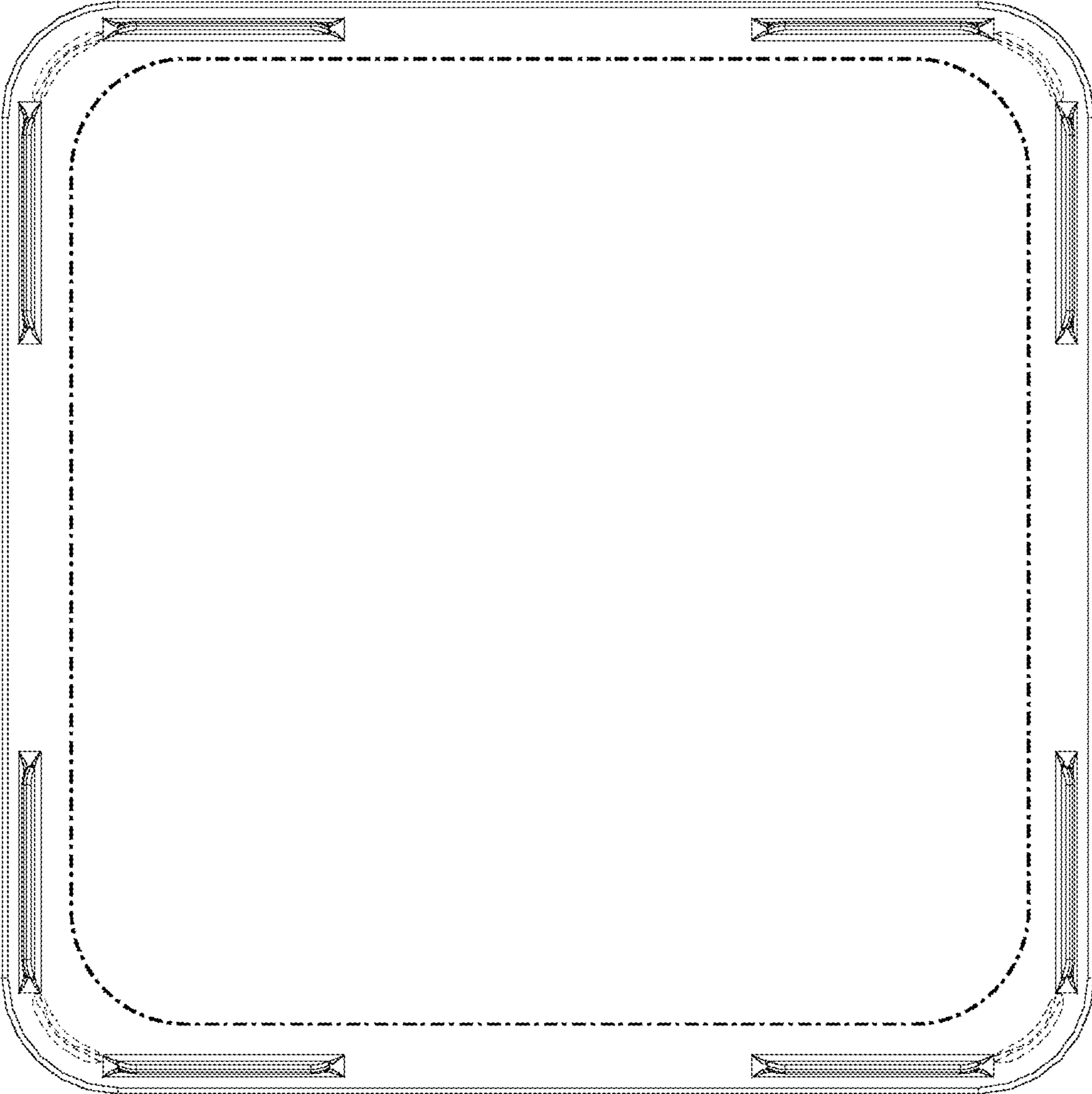


FIG. 4



FIG. 5



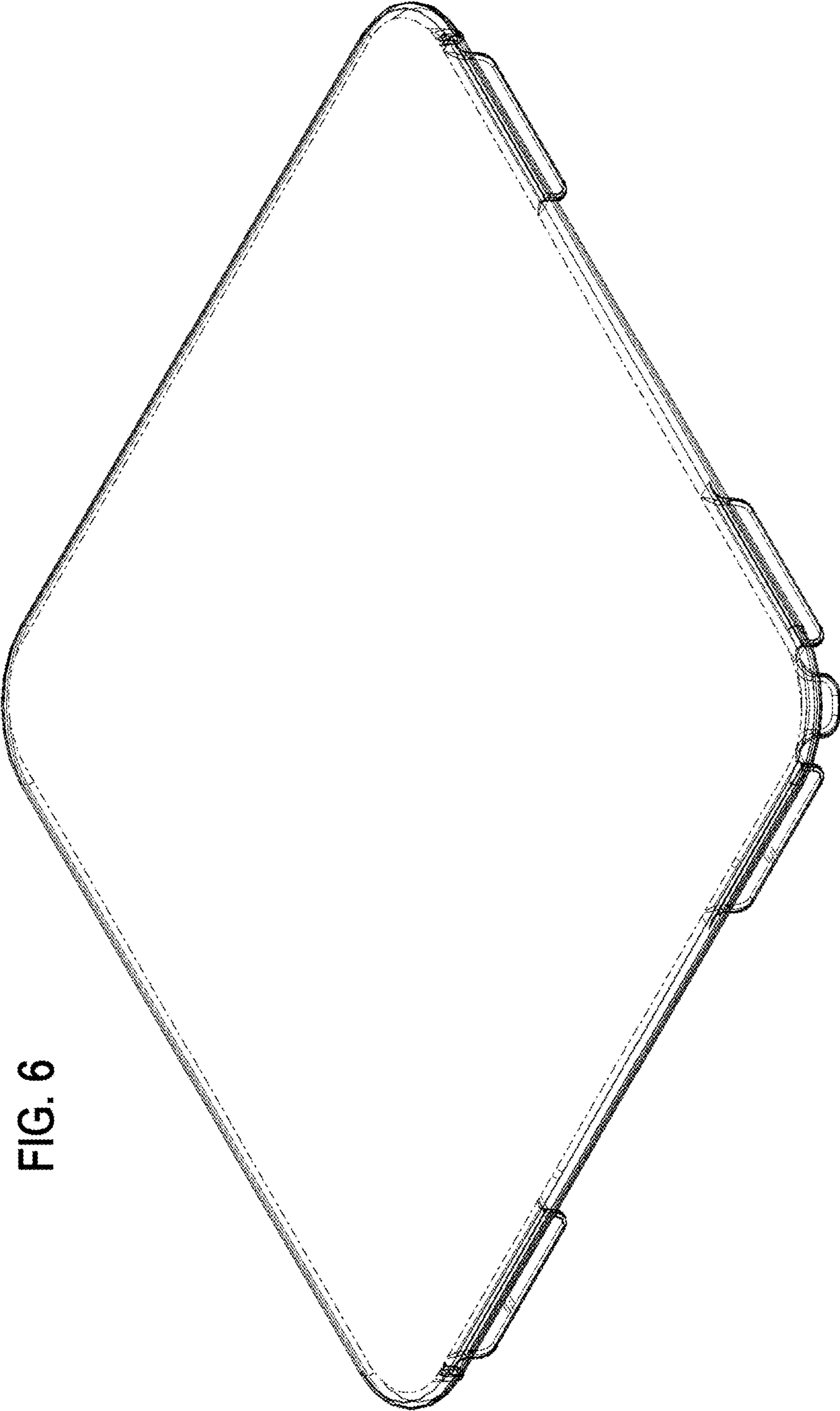


FIG. 6

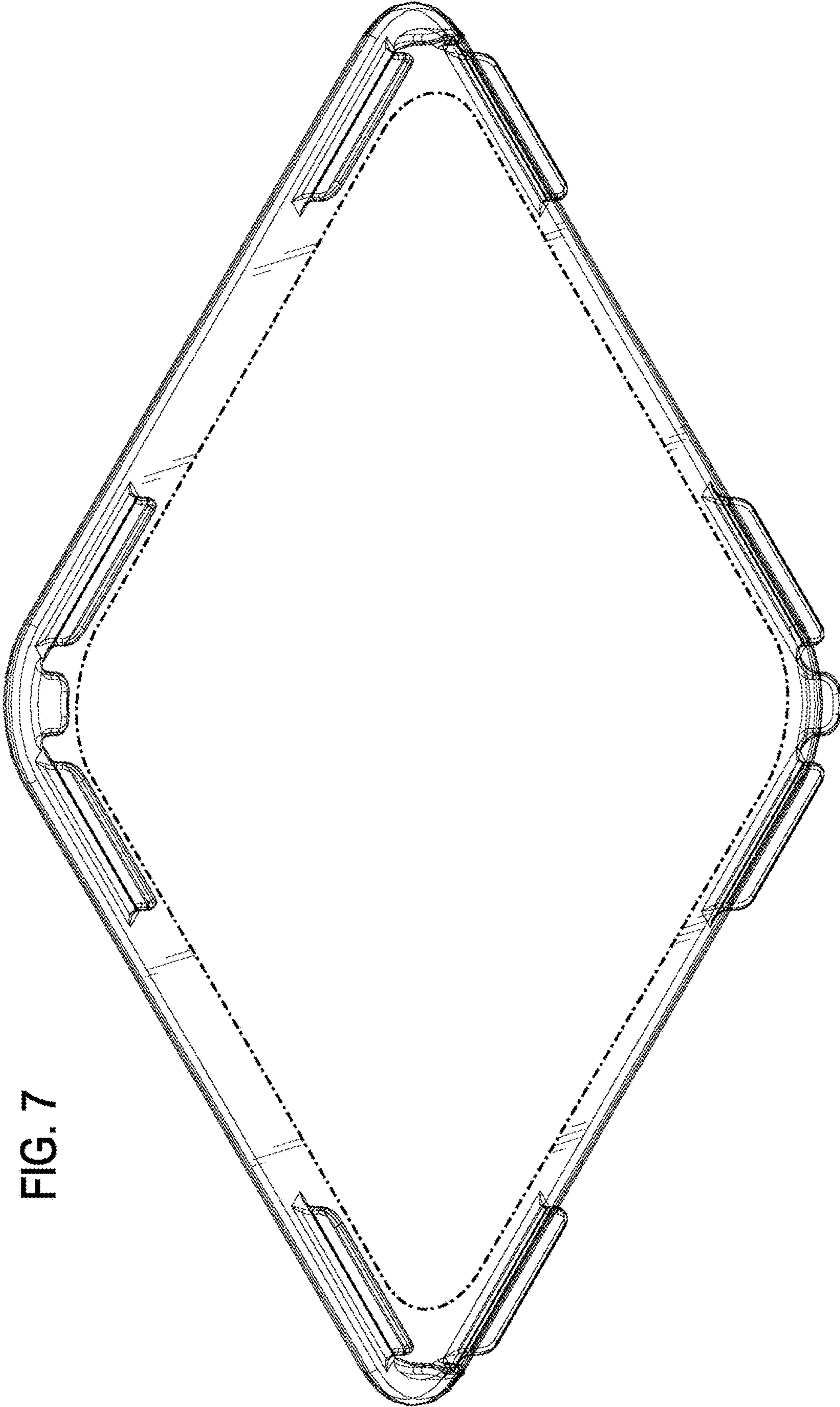


FIG. 7



FIG. 8

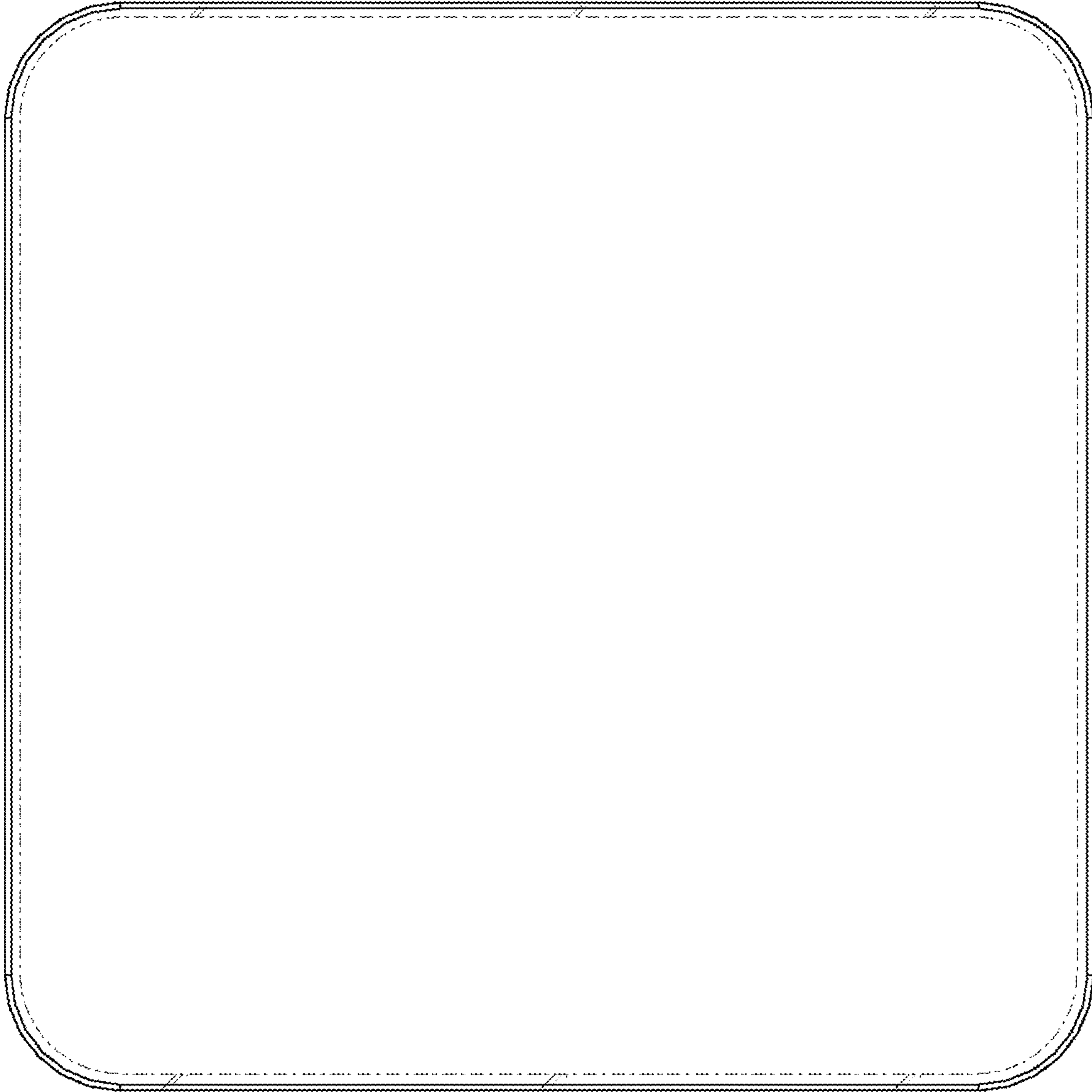


FIG. 9



FIG. 10

