



US00D900244S

(12) **United States Design Patent**
Hwang et al.

(10) **Patent No.:** **US D900,244 S**

(45) **Date of Patent:** **** Oct. 27, 2020**

- (54) **CONSTRUCTION SET ELEMENT**
- (71) Applicant: **LEGO A/S**, Billund (DK)
- (72) Inventors: **Byeongjun Hwang**, Ansan-si (KR);
Kyoungbae Na, Suwon-si (KR)
- (73) Assignee: **LEGO A/S** (DK)
- (**) Term: **15 Years**
- (21) Appl. No.: **29/693,272**
- (22) Filed: **May 31, 2019**
- (51) **LOC (12) Cl.** **21-01**
- (52) **U.S. Cl.**
USPC **D21/486**
- (58) **Field of Classification Search**
USPC D21/468, 470, 471, 478, 479, 484-505
CPC A63H 33/04; A63H 33/044; A63H 33/06;
A63H 33/062; A63H 33/086; A63H
33/088; A63H 33/10; A63H 33/101;
A63H 33/108; A63H 33/12
See application file for complete search history.

- D528,608 S * 9/2006 Kossmann D21/486
- 7,517,270 B2 * 4/2009 Marzetta A63H 33/101
446/113
- D630,263 S * 1/2011 Smith D21/486
- D715,874 S * 10/2014 Norman D21/486
- 9,044,690 B2 * 6/2015 Uttley A63H 33/102

OTHER PUBLICATIONS

Bricklink, "Technic, Liftarm 1x9 Bent (7-3) Thick, Item No. 32271", Accessed online on Jun. 4, 2019, at <https://www.bricklink.com/v2/catalog/catalogitem.page?P=32271#T=C>, "Years Released: 1999-2019".

* cited by examiner

Primary Examiner — Cynthia M. Chin

(74) *Attorney, Agent, or Firm* — Day Pitney LLP

(57) **CLAIM**

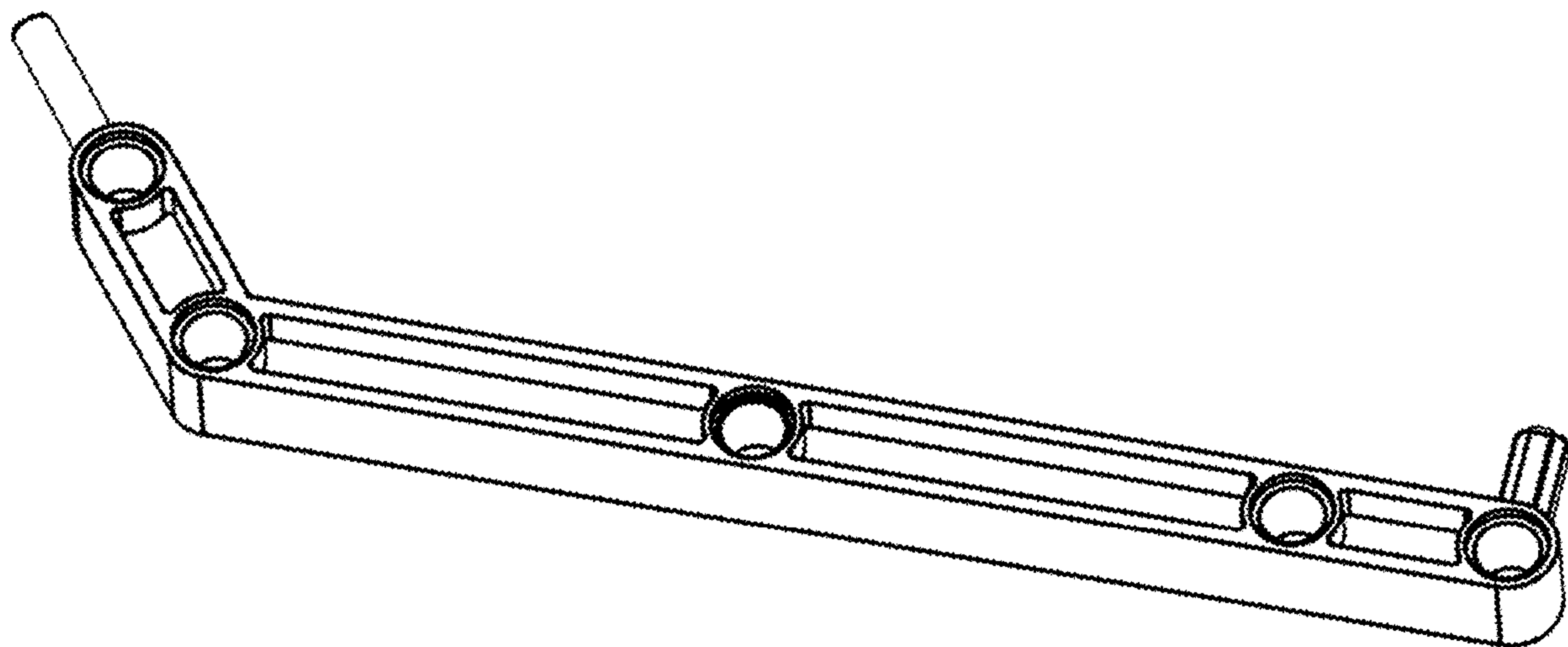
We claim the ornamental design for a construction set element, as shown and described.

DESCRIPTION

FIG. 1 is a front perspective view of a construction set element, showing our new design;
FIG. 2 is a rear perspective view thereof;
FIG. 3 is a front elevational view thereof;
FIG. 4 is a rear elevational view thereof
FIG. 5 is a left side elevational view thereof;
FIG. 6 is a right side elevational view thereof;
FIG. 7 is a top plan view thereof; and,
FIG. 8 is a bottom plan view thereof.

1 Claim, 6 Drawing Sheets

- (56) **References Cited**
U.S. PATENT DOCUMENTS
- D226,114 S * 1/1973 Nutting D21/486
- D374,465 S * 10/1996 Schmidt D21/486
- D409,675 S * 5/1999 Krog D21/486
- D410,973 S * 6/1999 Jensen D21/486
- D420,710 S * 2/2000 Poulsen D21/486
- 6,682,385 B2 * 1/2004 Atzen A63H 33/088
273/156



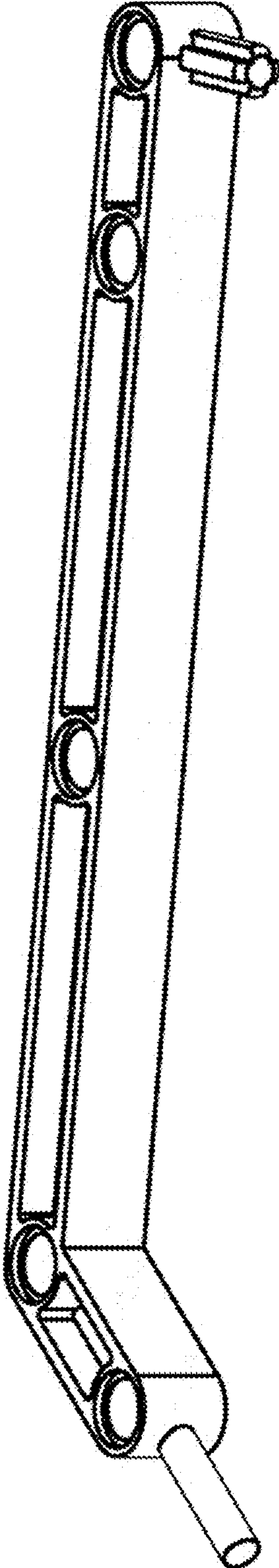


FIG. 1

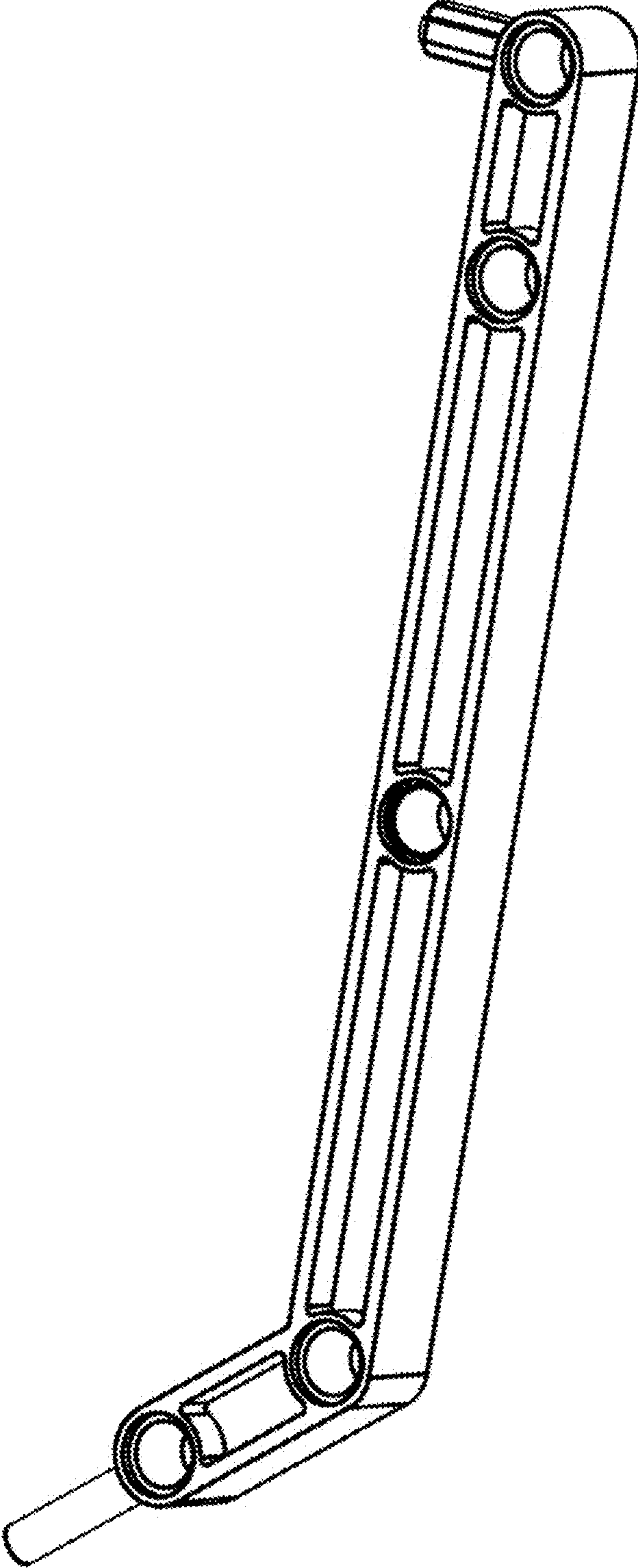


FIG. 2



FIG. 3

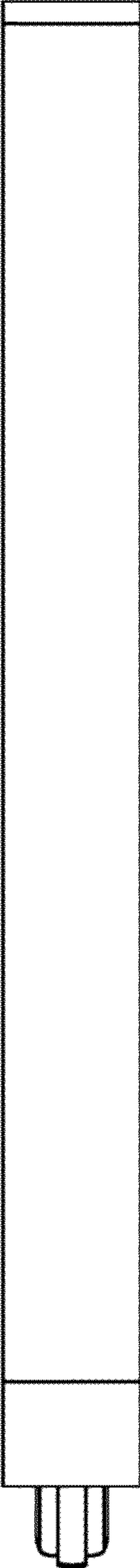


FIG. 4

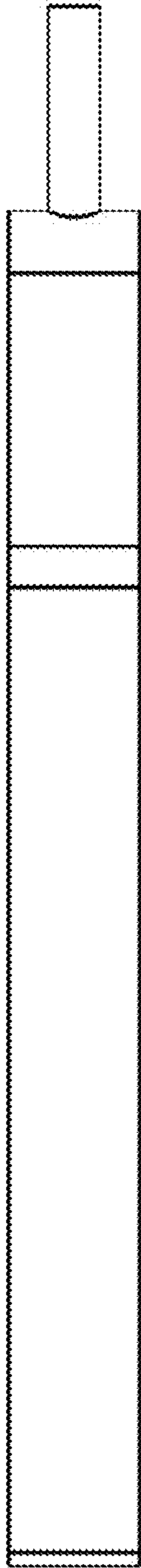


FIG. 5

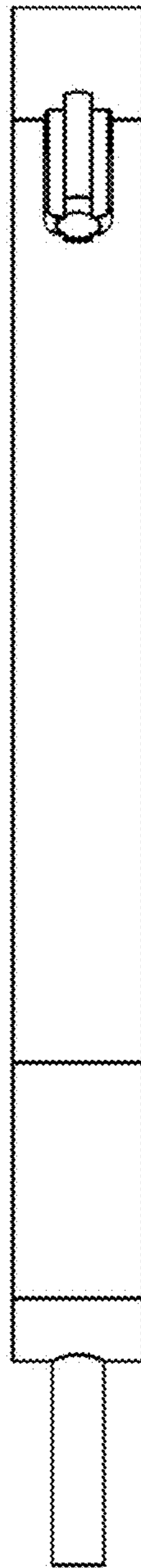


FIG. 6

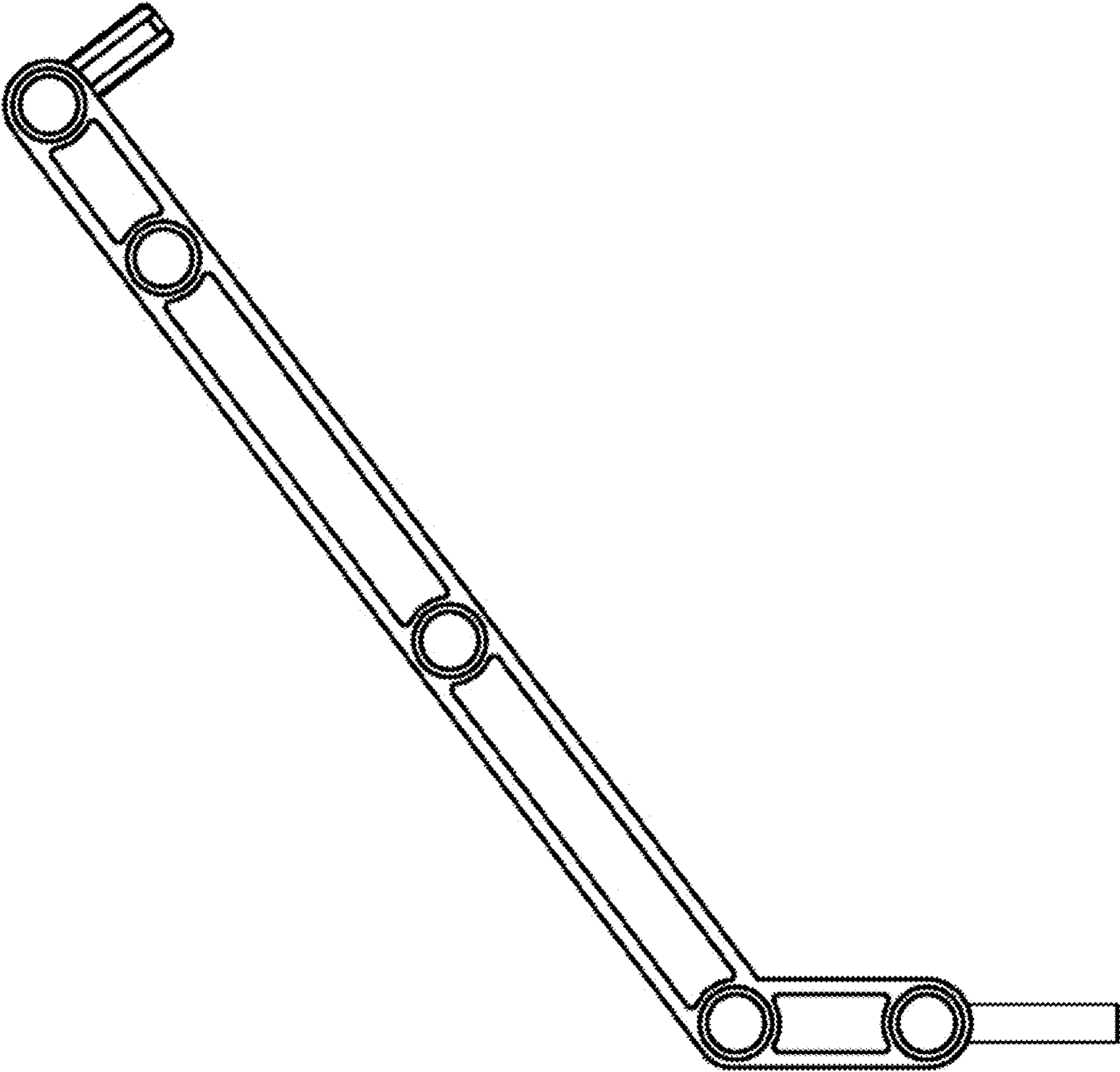


FIG. 7

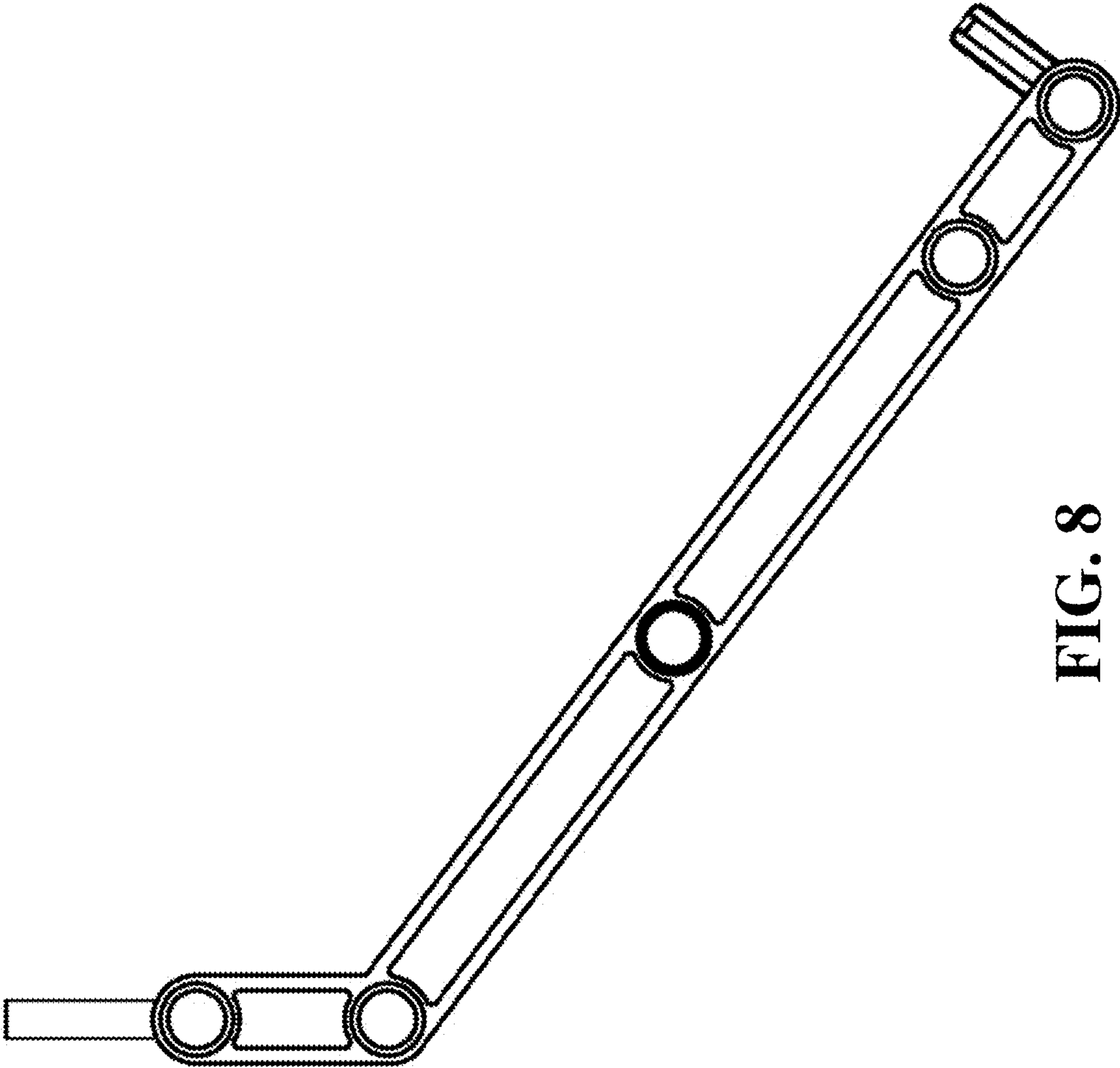


FIG. 8