



US00D900239S

(12) **United States Design Patent** (10) **Patent No.:** **US D900,239 S**  
**Van Houten et al.** (45) **Date of Patent:** **\*\* Oct. 27, 2020**

(54) **SCOOTER**  
(71) Applicant: **Lyft, Inc.**, San Francisco, CA (US)  
(72) Inventors: **Lucas Jon Van Houten**, San Francisco, CA (US); **Gregoire Ludovic Vincent Vandebussche**, San Francisco, CA (US); **Daniel Lami Goldstein**, Berkeley, CA (US); **Rochus Emanuel Jacob**, San Francisco, CA (US); **Peter Rex Luedtke**, Brooklyn, NY (US); **Conrad Xavier Murphy**, San Francisco, CA (US)

9,016,702 B2 \* 4/2015 Huang ..... A47C 1/126  
280/87.041  
9,076,136 B2 7/2015 Bettez et al.  
9,269,236 B2 2/2016 Bettez et al.  
D755,899 S \* 5/2016 Castrucci ..... D21/423  
D774,961 S \* 12/2016 Allen ..... D12/110  
9,598,128 B2 3/2017 Assénat et al.  
D797,199 S \* 9/2017 Ratner ..... D21/423  
D797,200 S \* 9/2017 Ratner ..... D21/423  
D798,959 S \* 10/2017 Le ..... D21/423  
D803,948 S \* 11/2017 Chis ..... D21/423  
D804,581 S \* 12/2017 Schindele ..... D21/423  
D814,978 S \* 4/2018 Niu ..... D12/110

(Continued)

(73) Assignee: **Lyft, Inc.**, San Francisco, CA (US)  
(\*\*) Term: **15 Years**

(21) Appl. No.: **29/706,678**  
(22) Filed: **Sep. 23, 2019**  
(51) **LOC (12) Cl.** ..... **21-01**  
(52) **U.S. Cl.**  
USPC ..... **D21/423**  
(58) **Field of Classification Search**  
USPC ..... D21/419, 421, 423, 432, 760, 763, 765,  
D21/771; D12/1, 110  
CPC ..... B62K 3/002; B62K 9/00; B62K 2202/00;  
B62K 15/00; B60Y 2200/126  
See application file for complete search history.

(56) **References Cited**

**U.S. PATENT DOCUMENTS**

3,212,791 A \* 10/1965 Edwins ..... B62K 11/06  
280/275  
D457,197 S \* 5/2002 Becker ..... D21/423  
D458,563 S \* 6/2002 Jones ..... D12/110  
D459,763 S \* 7/2002 Lanchais ..... D21/423  
6,450,516 B1 \* 9/2002 Nall, III ..... B62K 3/002  
280/288.1  
7,898,439 B2 3/2011 Bettez et al.

**OTHER PUBLICATIONS**

U.S. Appl. No. 16/391,294, filed Apr. 22, 2019, Bromwich et al.  
(Continued)

*Primary Examiner* — Cynthia M. Chin  
(74) *Attorney, Agent, or Firm* — Haynes and Boone, LLP

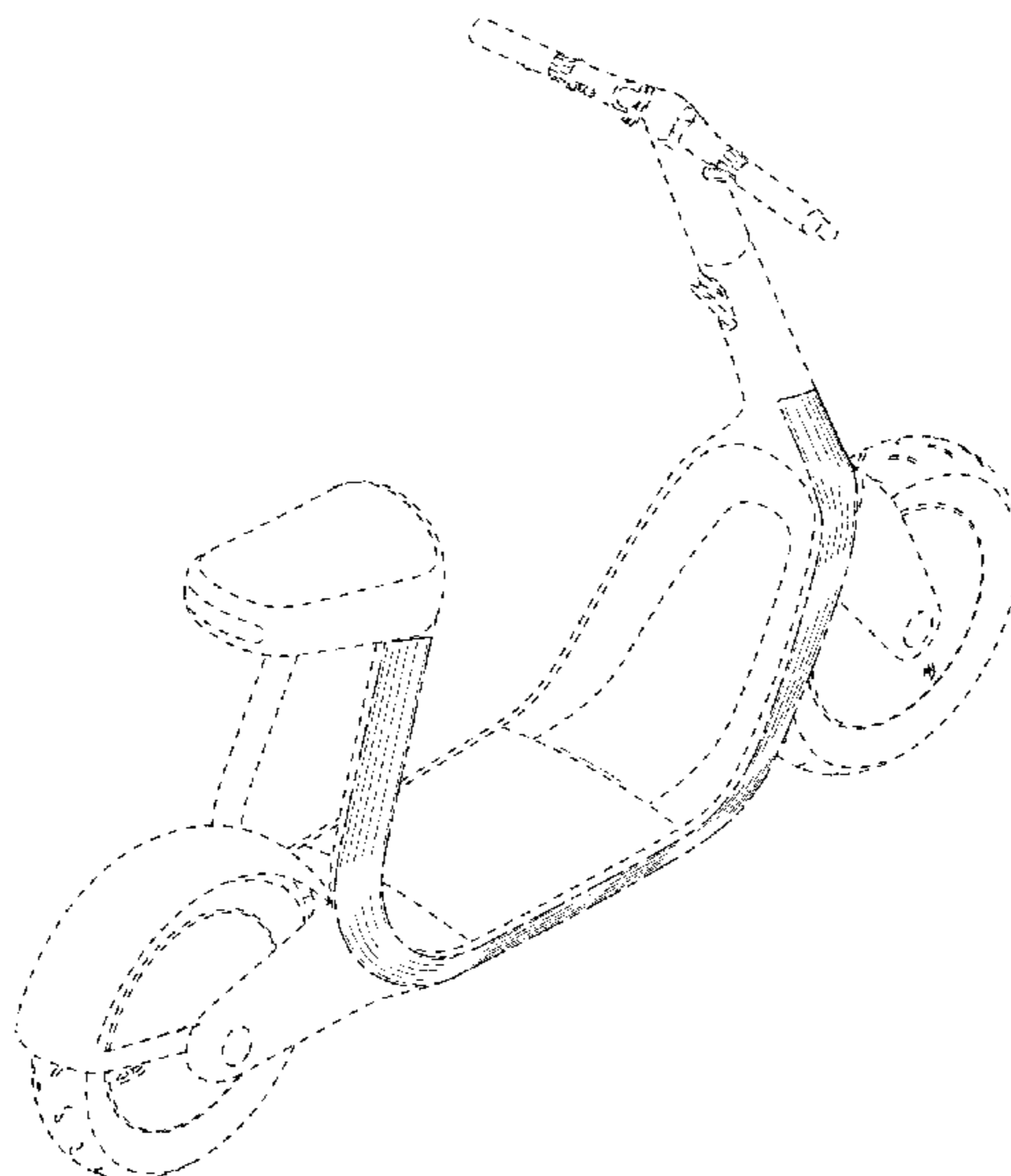
(57) **CLAIM**

The ornamental design for a scooter, as shown and described.

**DESCRIPTION**

FIG. 1 is a top, rear, left side perspective view of a scooter showing our new design;  
FIG. 2 is a left side elevation view thereof;  
FIG. 3 is right side elevation view thereof;  
FIG. 4 is a top plan view thereof;  
FIG. 5 is a bottom plan view thereof;  
FIG. 6 is a front elevation view thereof; and,  
FIG. 7 is a rear elevation view thereof.  
The dash-dot broken lines adjacent to the shaded areas represent boundaries of the claimed design and form no part thereof. All other broken lines are for the purpose of illustrating portions of the article that form no part of the claim.

**1 Claim, 5 Drawing Sheets**



(56)

**References Cited**

U.S. PATENT DOCUMENTS

D815,991 S \* 4/2018 Clyde ..... D12/110  
D830,911 S \* 10/2018 Li ..... D12/110  
D832,931 S \* 11/2018 Gudushauri ..... D21/423  
D846,031 S \* 4/2019 Droge ..... D21/423  
2009/0240575 A1 9/2009 Bettez et al.  
2011/0161141 A1 6/2011 Bettez et al.  
2012/0013103 A1\* 1/2012 Marion ..... B62K 11/10  
280/639  
2015/0112478 A1 4/2015 Bettez et al.  
2015/0152668 A1 6/2015 Assénat et al.  
2017/0036722 A1 2/2017 Assénat et al.  
2019/0127002 A1 5/2019 Bettez et al.  
2019/0206009 A1 7/2019 Gibson et al.  
2019/0382072 A1\* 12/2019 Allen ..... A63C 17/265

OTHER PUBLICATIONS

U.S. Appl. No. 16/448,660, filed Jun. 21, 2019, Lambert et al.  
U.S. Appl. No. 16/578,995, filed Sep. 23, 2019, Vandenbussche et al.  
U.S. Appl. No. 16/579,530, filed Sep. 23, 2019, Van Houten et al.  
U.S. Appl. No. 16/579,556, filed Sep. 23, 2019, Van Houten et al.  
U.S. Appl. No. 16/579,627, filed Sep. 23, 2019, Vandenbussche et al.  
U.S. Appl. No. 29/706,673, filed Sep. 23, 2019, Van Houten et al.  
U.S. Appl. No. 29/706,676, filed Sep. 23, 2019, Van Houten et al.  
U.S. Appl. No. 29/706,682, filed Sep. 23, 2019, Van Houten et al.  
[No Author Listed], And then there was Two. Bird Two. Bird Rides, Inc., 8 pages, URL: <https://two.bird.co>, Admitted Prior Art (undated).

\* cited by examiner

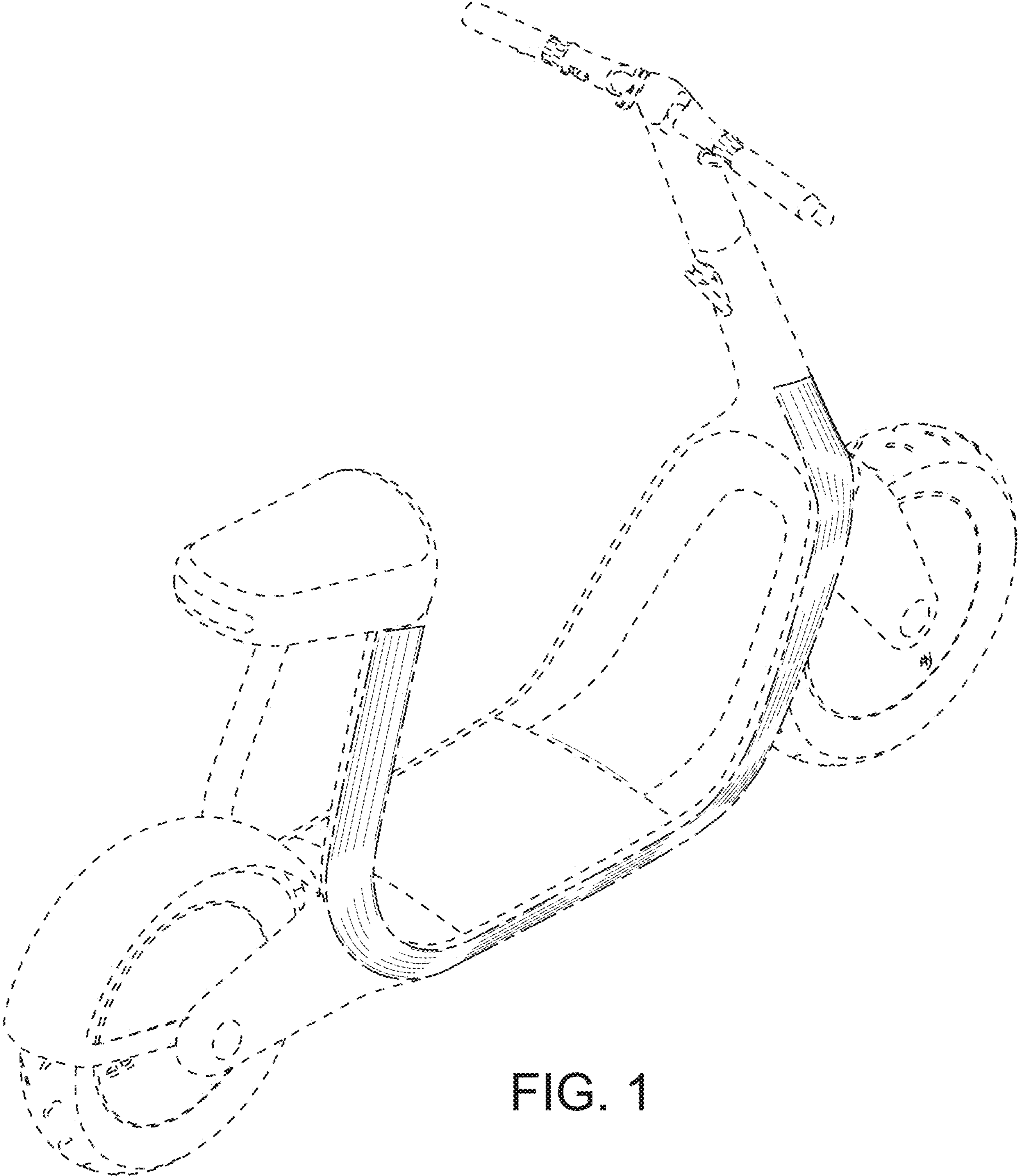


FIG. 1

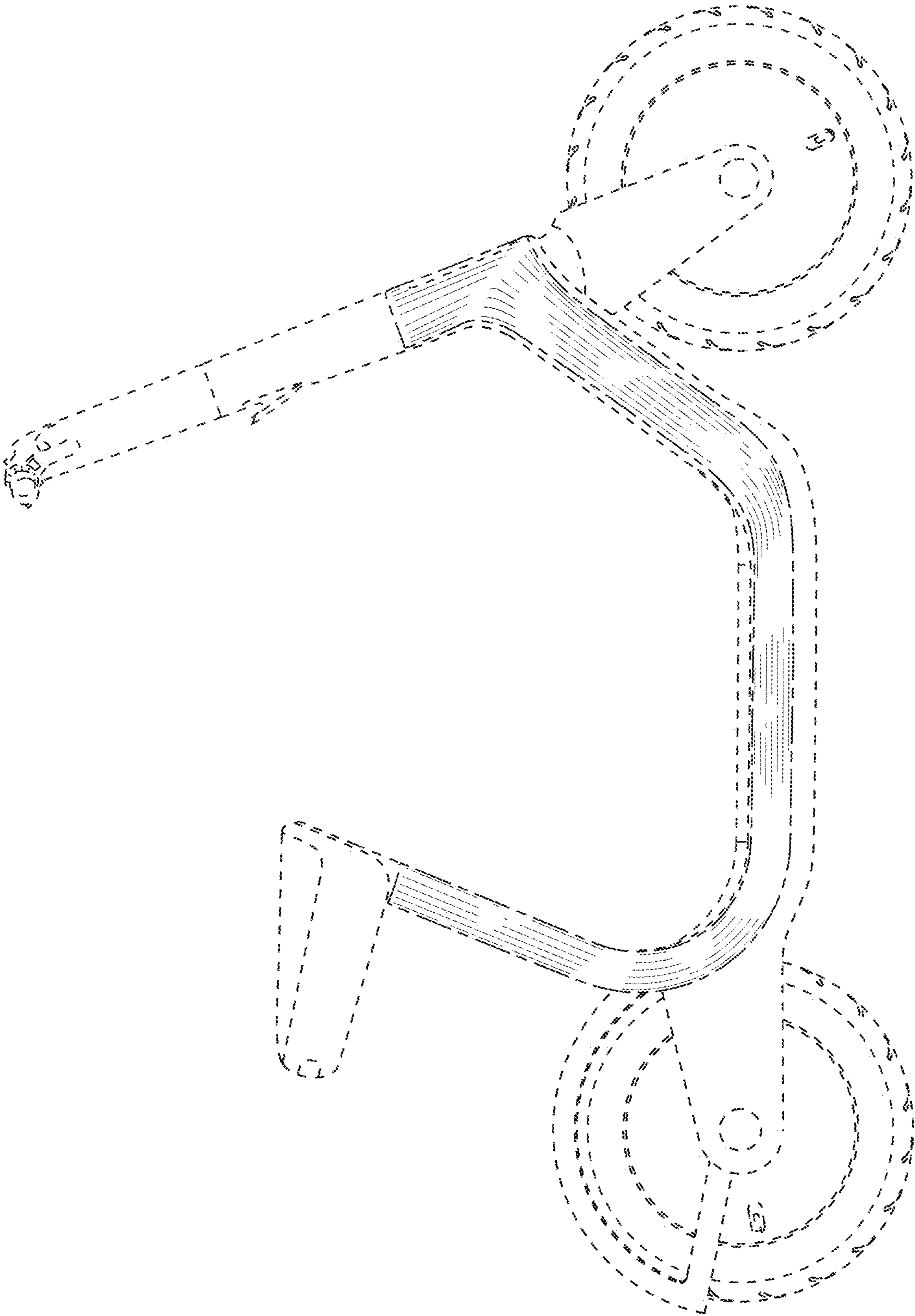


FIG. 2

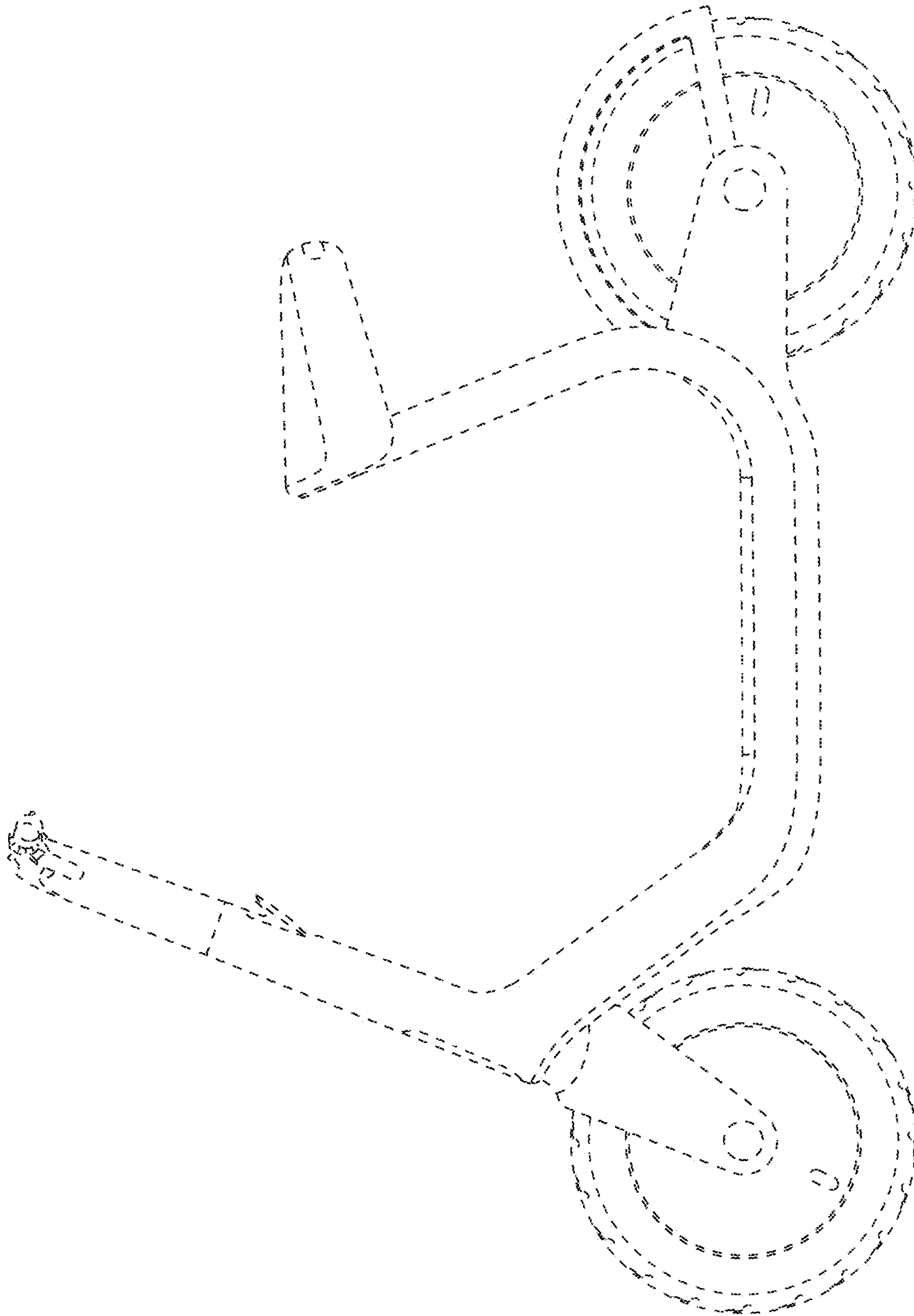


FIG. 3

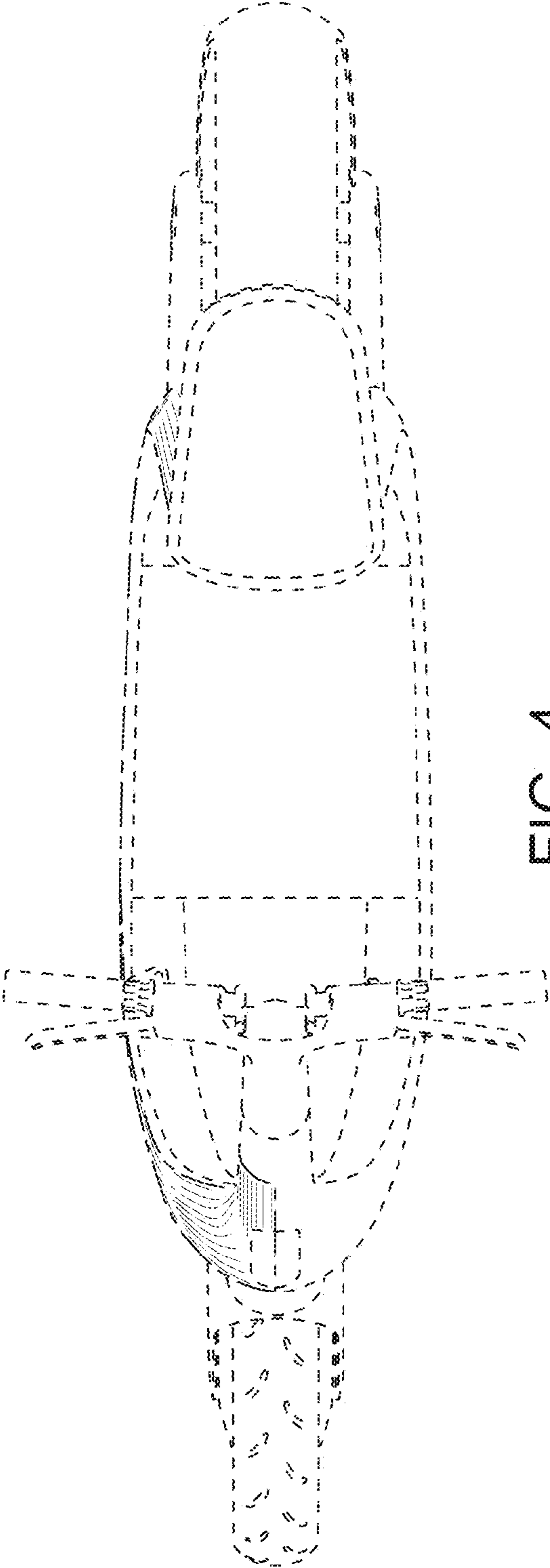


FIG. 4

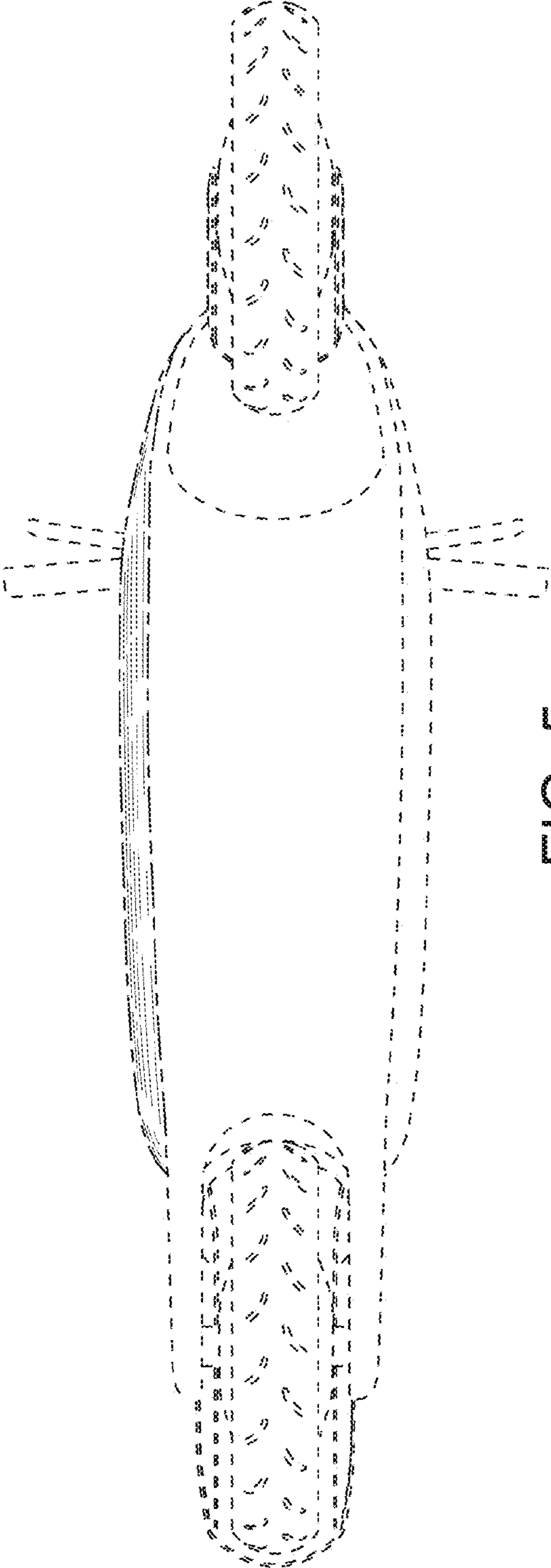


FIG. 5

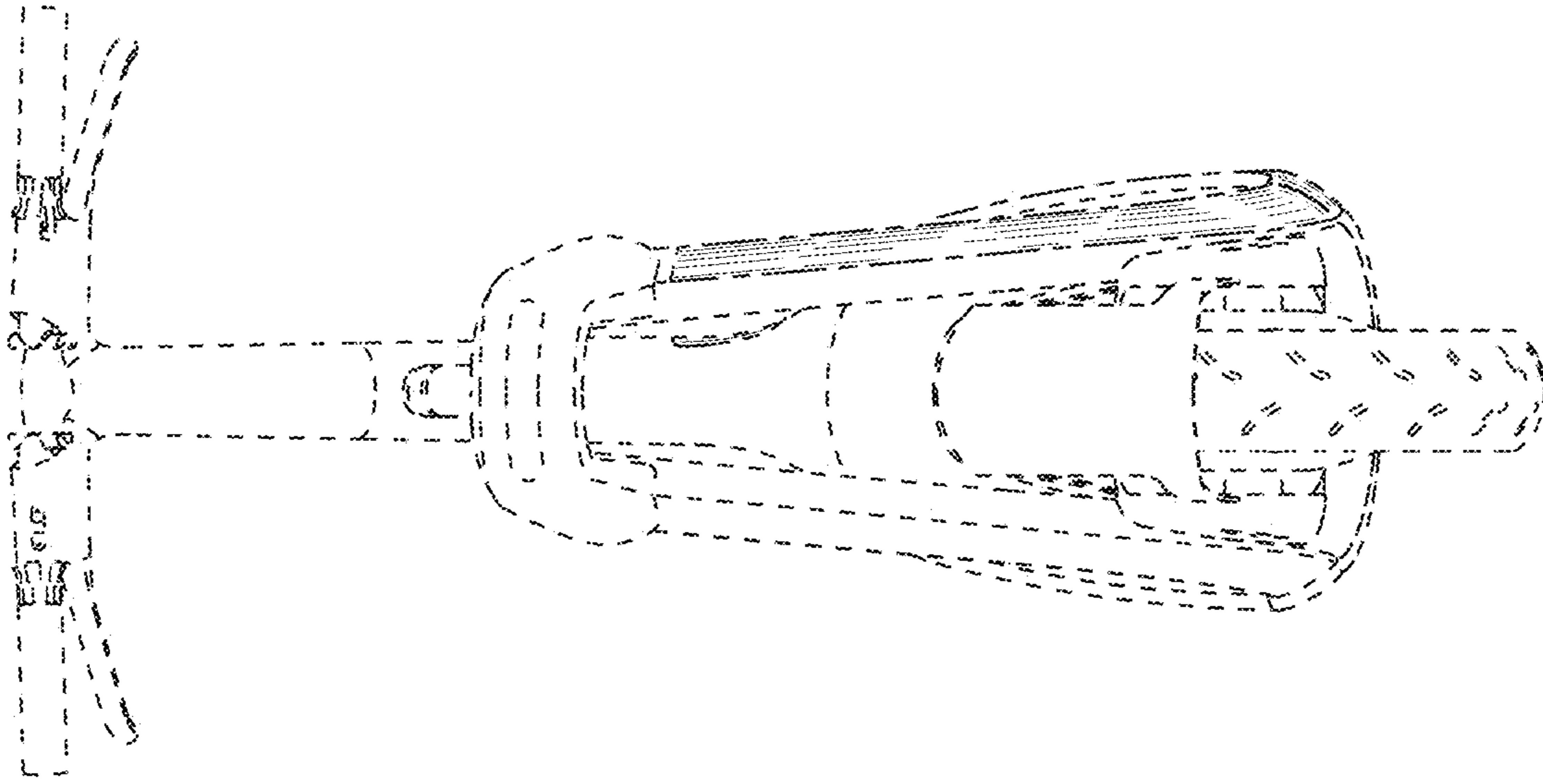


FIG. 7

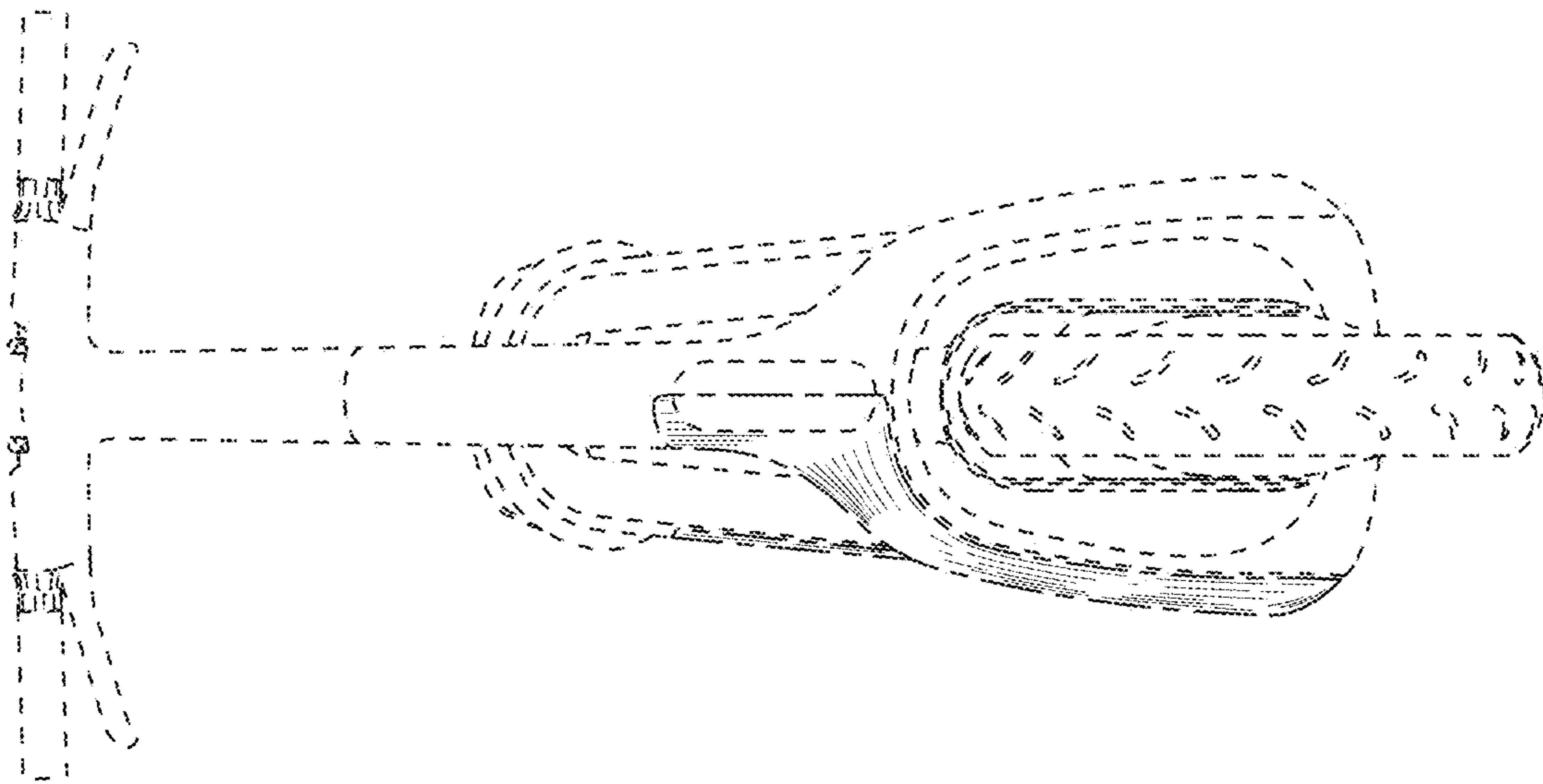


FIG. 6