



US00D900237S

(12) **United States Design Patent**
Lee et al.

(10) **Patent No.:** **US D900,237 S**
(45) **Date of Patent:** **** Oct. 27, 2020**

(54) **ELECTRIC SCOOTER**

(71) Applicant: **LG ELECTRONICS INC.**, Seoul (KR)

(72) Inventors: **Euiseok Lee**, Seoul (KR); **Hophil Lee**, Seoul (KR)

(73) Assignee: **LG ELECTRONICS INC.**, Seoul (KR)

(**) Term: **15 Years**

(21) Appl. No.: **29/703,621**

(22) Filed: **Aug. 28, 2019**

(30) **Foreign Application Priority Data**

Mar. 6, 2019 (WO) 80546

(51) **LOC (12) Cl.** **21-01**

(52) **U.S. Cl.**
USPC **D21/423**

(58) **Field of Classification Search**
USPC D21/419, 421, 423, 432, 760, 763, 765, D21/771; D12/1, 110
CPC B62K 3/002; B62K 9/00; B62K 2202/00; B62K 15/00; B60Y 2200/126
See application file for complete search history.

(56) **References Cited**

U.S. PATENT DOCUMENTS

D456,460 S * 4/2002 Tseng B62K 3/002 D21/423
D492,367 S * 6/2004 Dennis D21/423

D497,397 S * 10/2004 Sramek D21/423
D516,132 S * 2/2006 Sramek D21/423
D839,359 S * 1/2019 Hadley D21/423
D841,097 S * 2/2019 Zeng D21/423
D846,654 S * 4/2019 Van Eyndhoven D21/423
D849,153 S * 5/2019 Zhang D21/423
D872,191 S * 1/2020 Lee D21/423
D872,192 S * 1/2020 Hadley D21/423
2013/0257003 A1 * 10/2013 Chen B62L 1/04 280/87.041
2019/0118647 A1 * 4/2019 Jessie, Jr. B62K 9/02

* cited by examiner

Primary Examiner — Cynthia M. Chin

(74) *Attorney, Agent, or Firm* — Birch, Stewart, Kolasch & Birch, LLP

(57) **CLAIM**

We claim the ornamental design for an electric scooter, as shown and described.

DESCRIPTION

FIG. 1 is a front perspective view of an electric scooter showing the new design;
FIG. 2 is a front elevation view thereof;
FIG. 3 is a rear elevation view thereof;
FIG. 4 is a left -side elevation view thereof;
FIG. 5 is a right -side elevation view thereof;
FIG. 6 is a top plan view thereof;
FIG. 7 is a bottom plan view thereof;
FIG. 8 is a rear perspective view thereof; and,
FIG. 9 is a reference view thereof.
The broken lines in FIG. 9 are included for the purpose of illustrating environment and form no part of the claimed design.

1 Claim, 9 Drawing Sheets

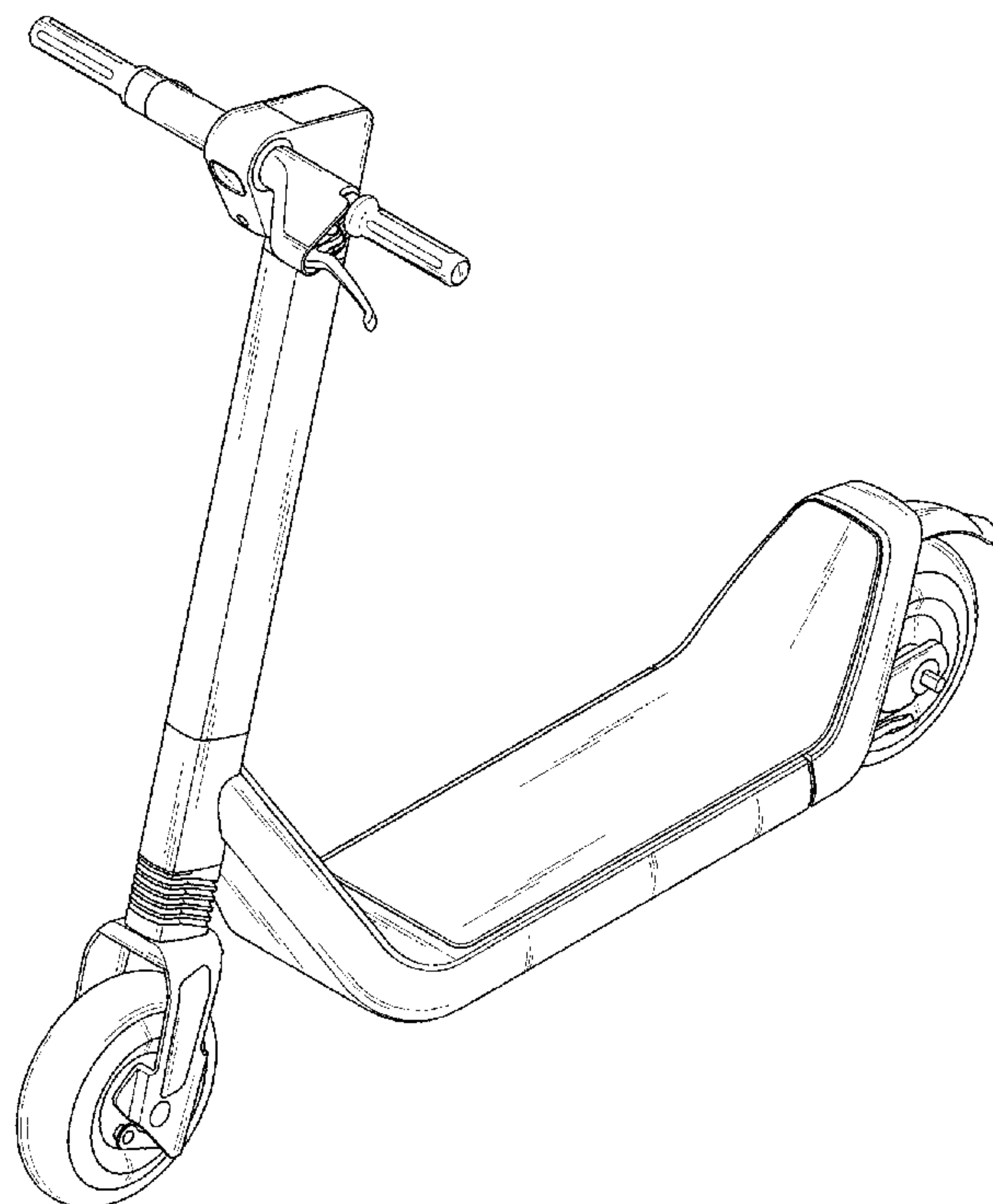


FIG. 1

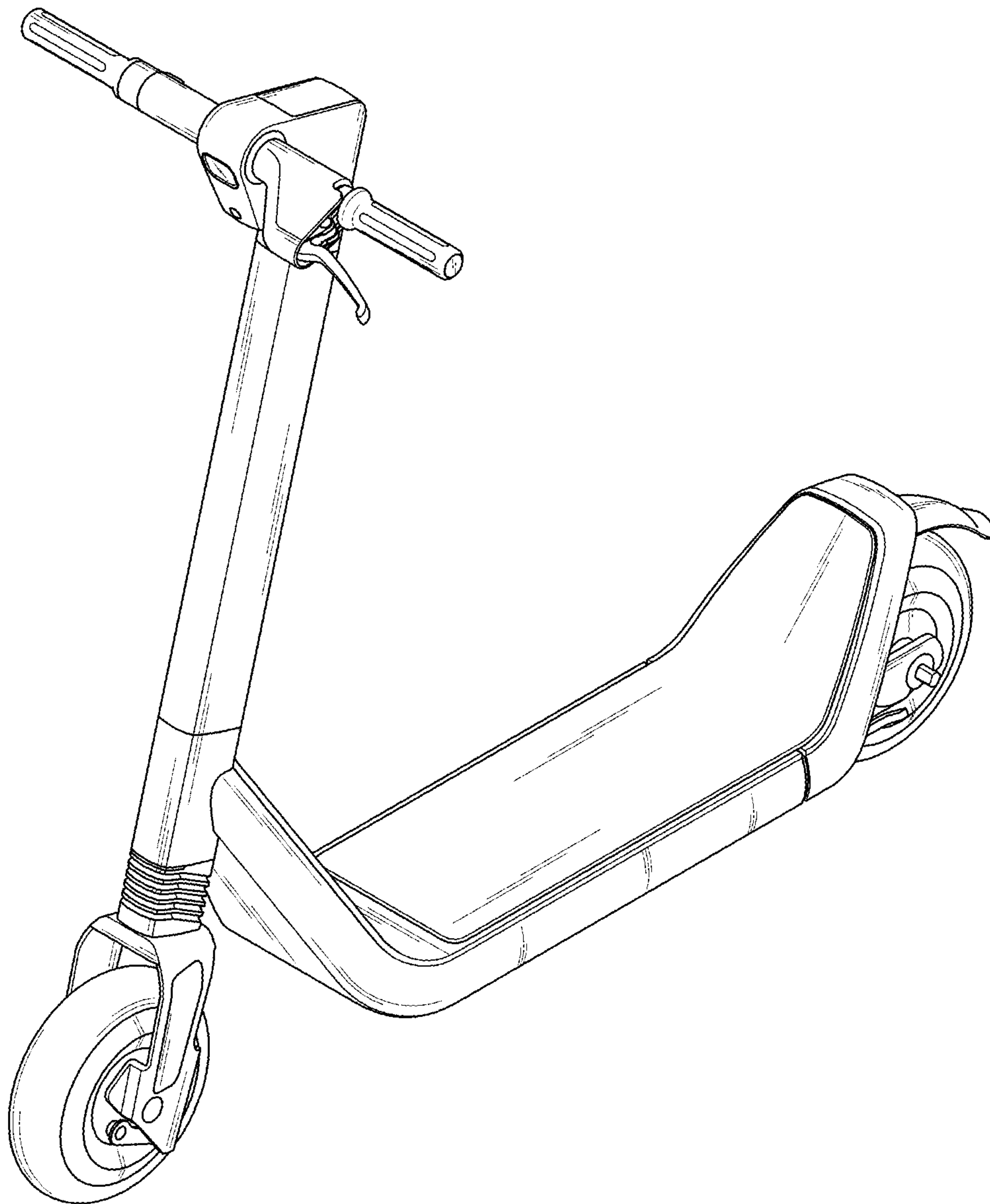


FIG. 2

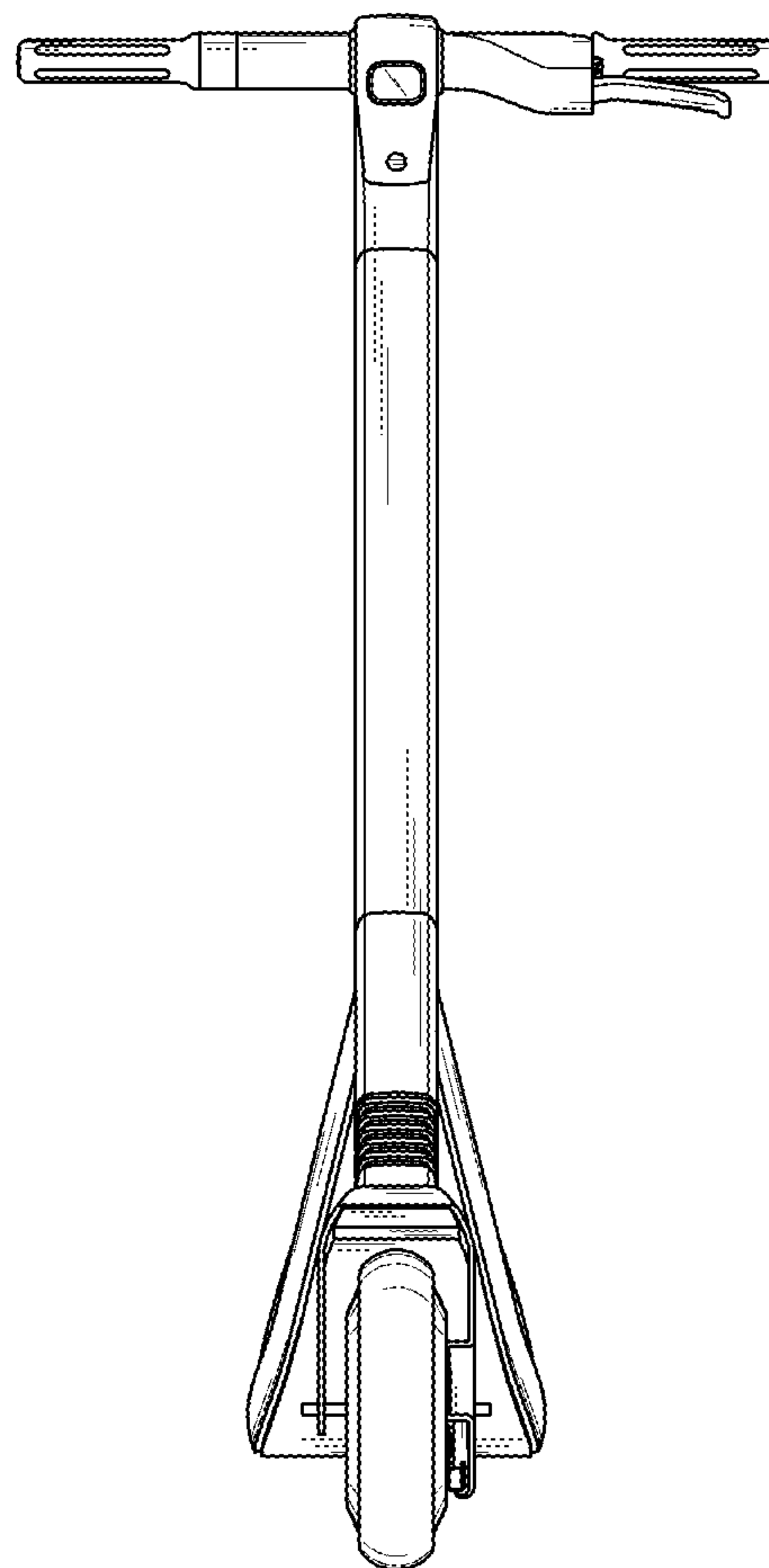


FIG. 3

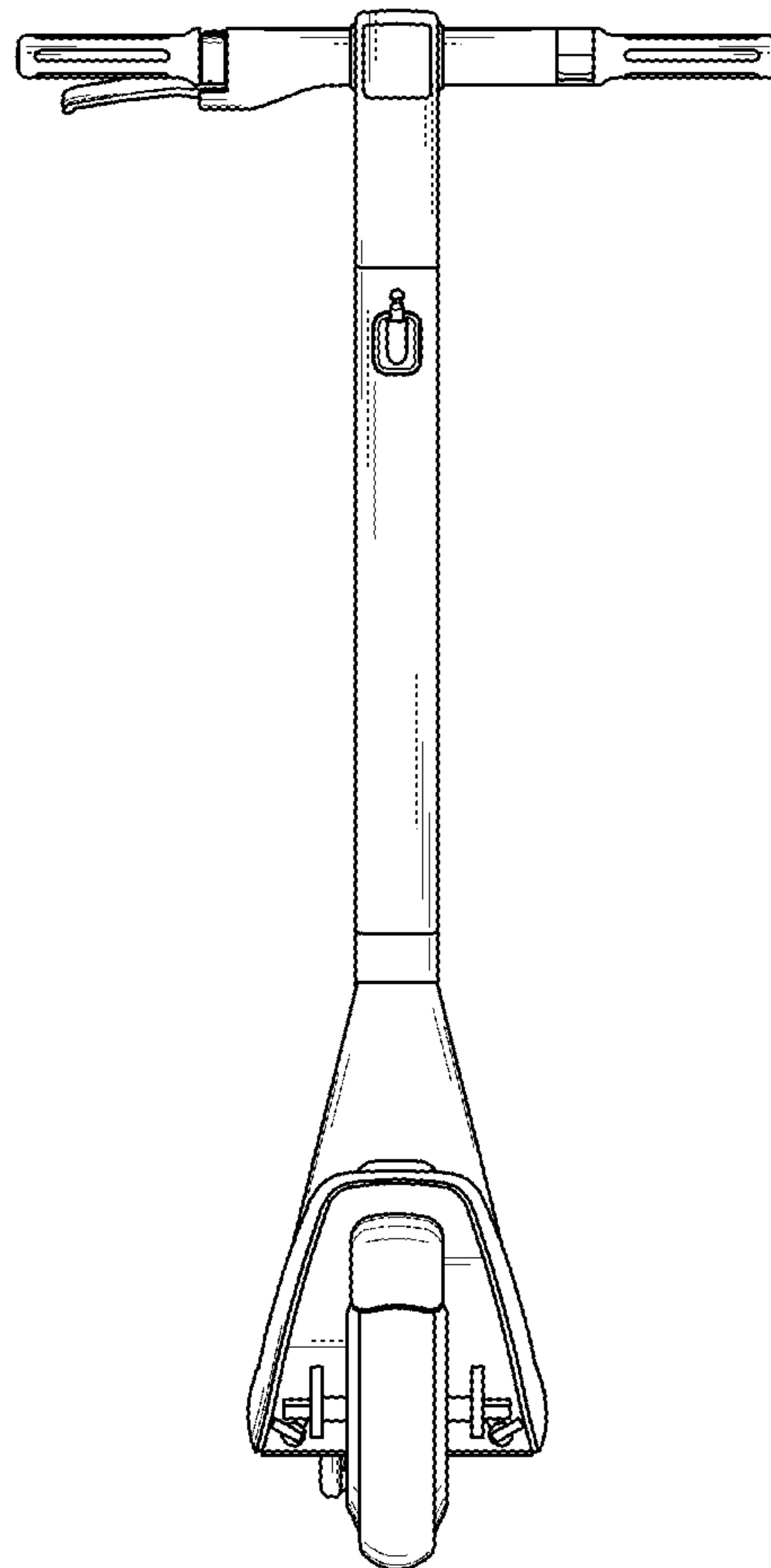


FIG. 4

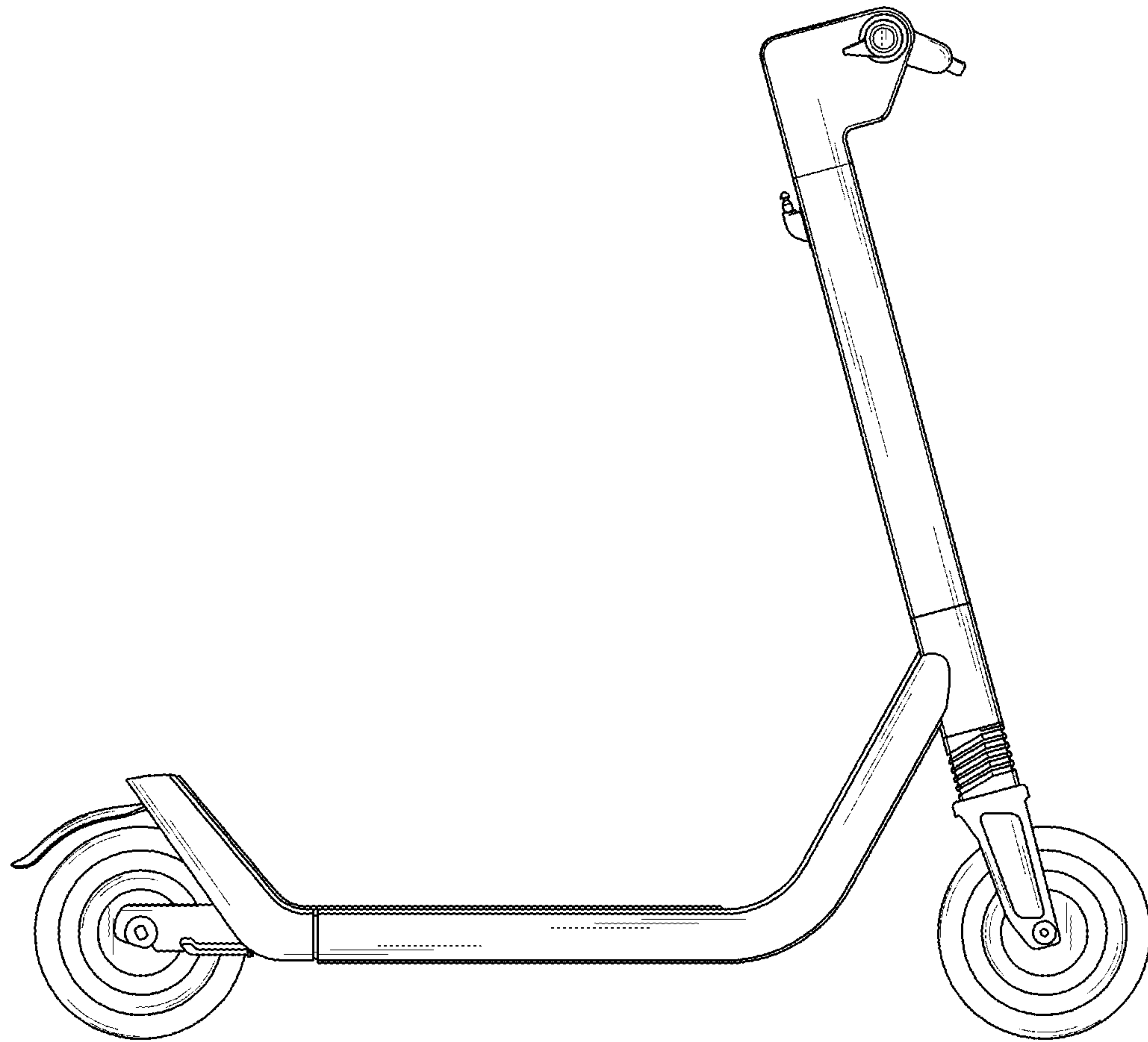


FIG. 5

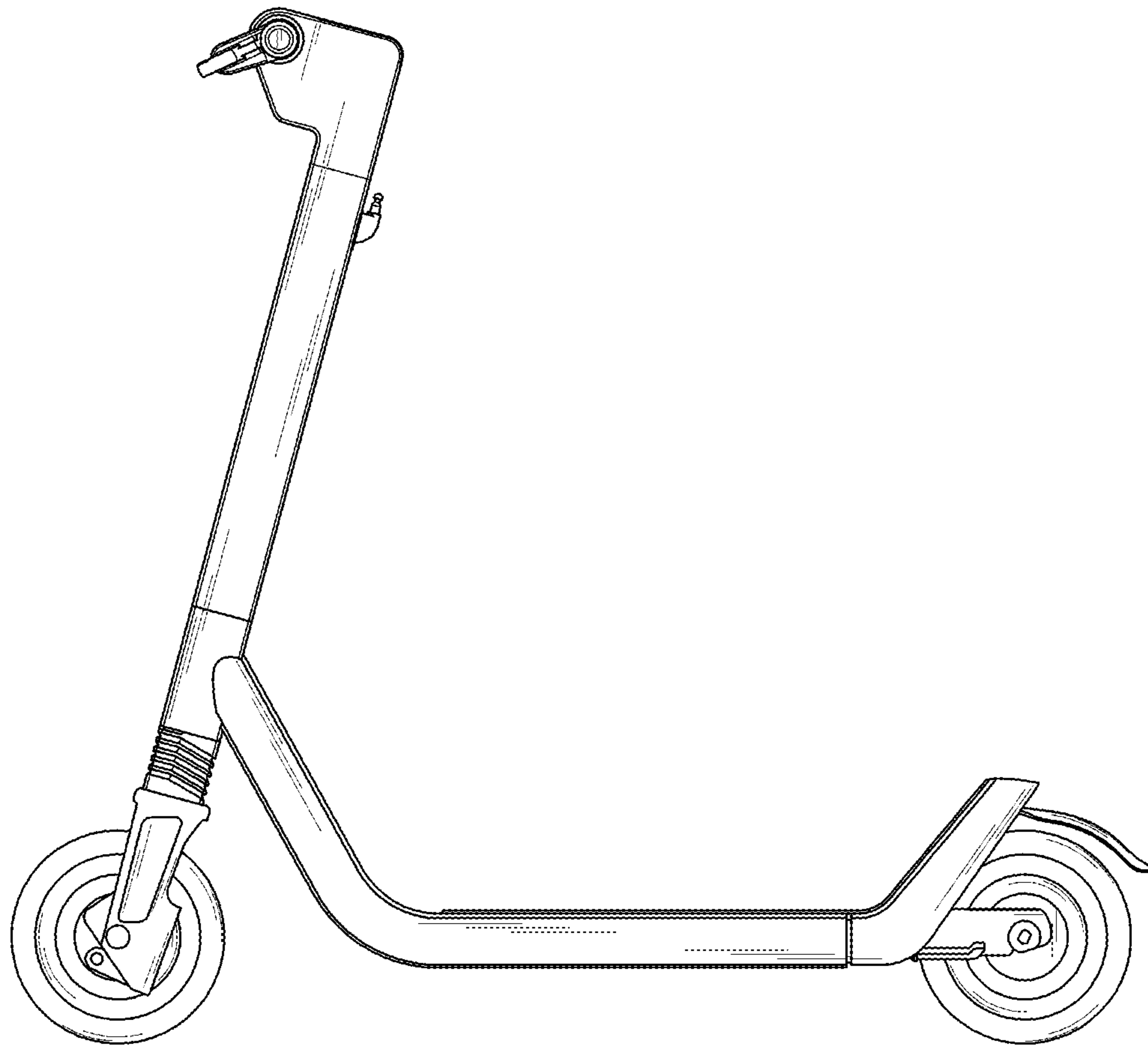


FIG. 6

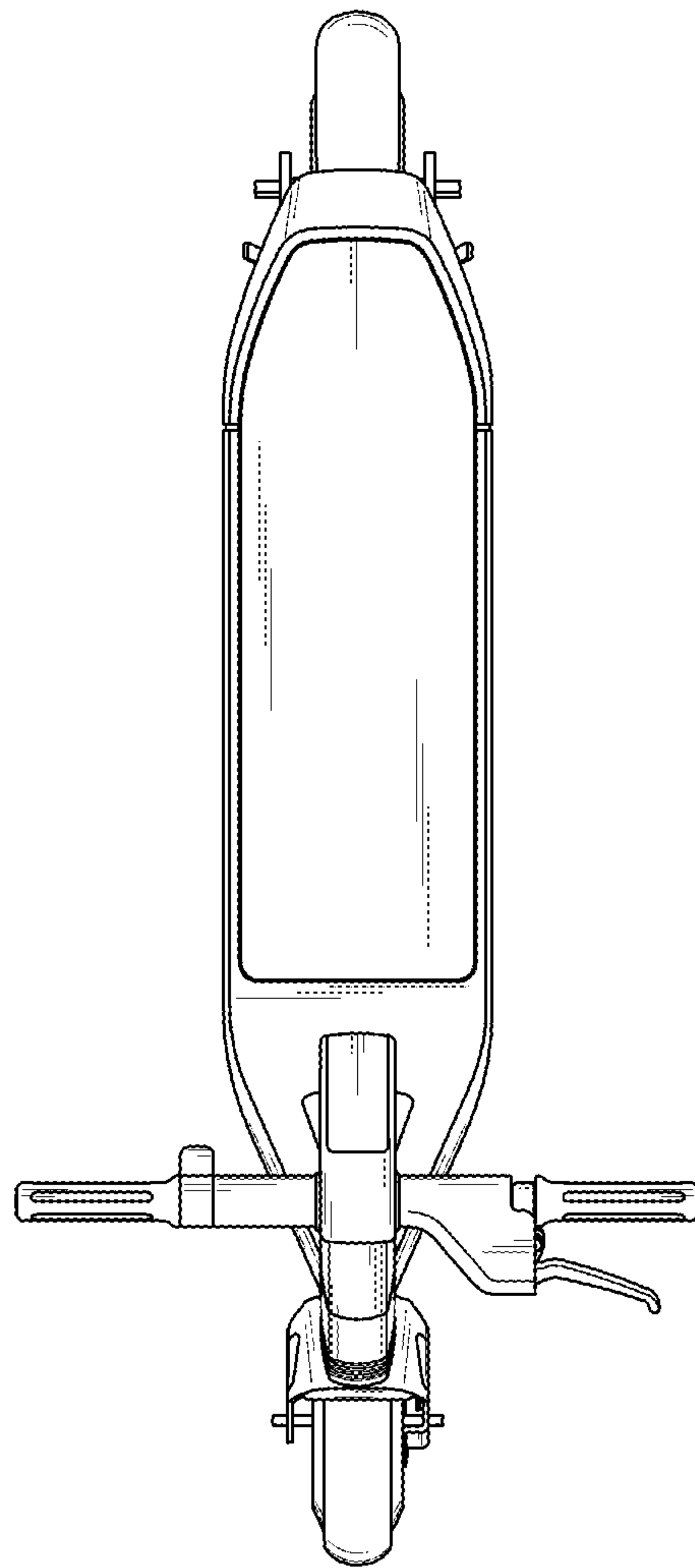


FIG. 7

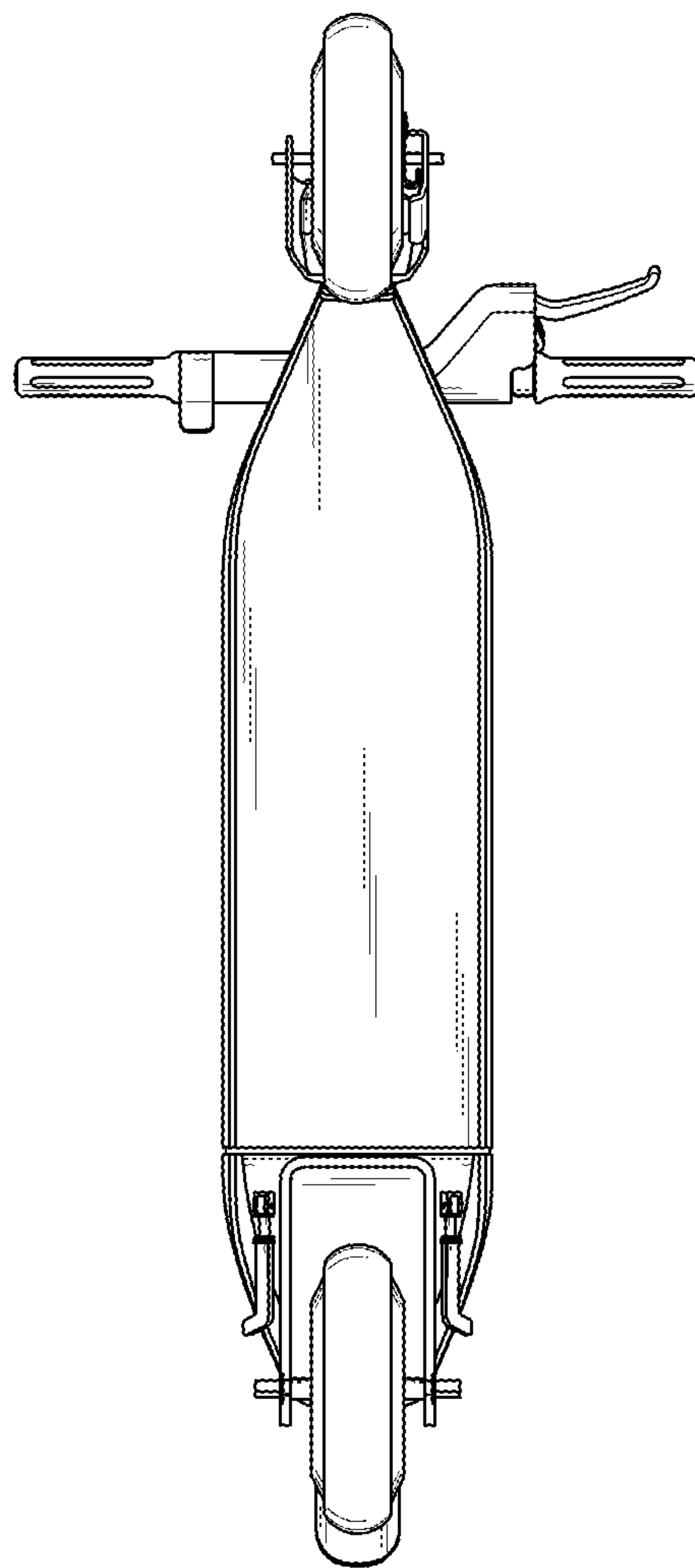


FIG. 8

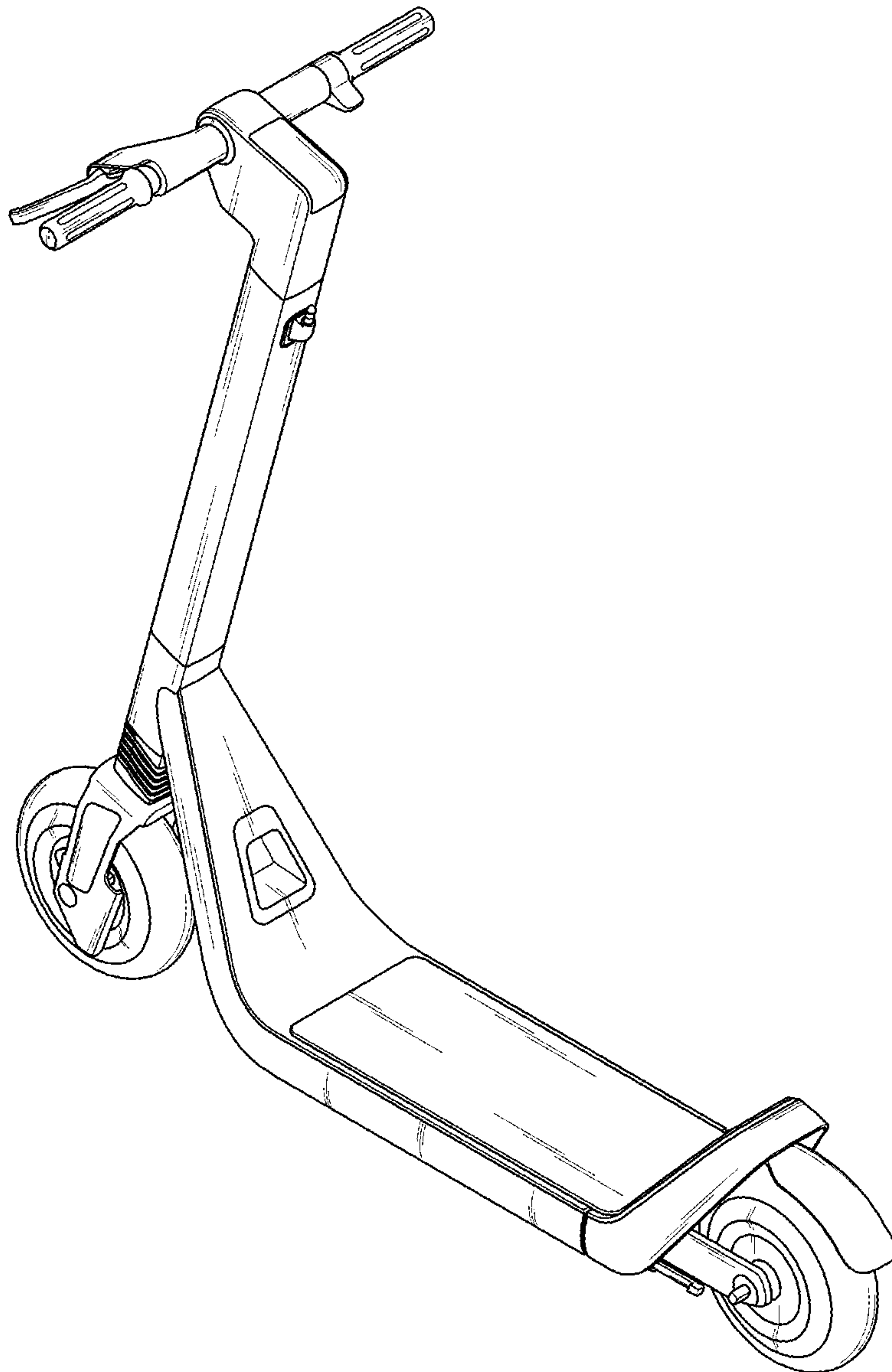


FIG. 9

