



US00D900234S

(12) **United States Design Patent**  
**MacDonald et al.**

(10) **Patent No.:** **US D900,234 S**  
(45) **Date of Patent:** **\*\* Oct. 27, 2020**

(54) **HEXAGONAL GAME PIECE HOLDER WITH ROLLING TRAY**

(71) Applicant: **Wyrwood, Inc.**, Taunton, MA (US)

(72) Inventors: **Jason Eric MacDonald**, Onset, MA (US); **Douglas Joseph Costello**, Lakeville, MA (US); **Ian Costello**, East Taunton, MA (US)

(\*\*) Term: **15 Years**

(21) Appl. No.: **29/727,963**

(22) Filed: **Mar. 14, 2020**

**Related U.S. Application Data**

(63) Continuation of application No. 29/710,162, filed on Oct. 21, 2019, and a continuation of application No. 29/710,160, filed on Oct. 21, 2019, and a continuation of application No. 29/710,156, filed on Oct. 21, 2019.

(51) **LOC (12) Cl.** ..... **21-01**

(52) **U.S. Cl.**  
USPC ..... **D21/392**

(58) **Field of Classification Search**  
USPC ..... D9/414, 430-433; D11/40, 75, 76, 131, D11/132, 140; D21/385-396, 483-485, D21/489, 500-505; D25/138-144  
CPC ..... A63F 11/00; A63F 2003/00772-00791; A63F 2003/00943  
See application file for complete search history.

(56) **References Cited**

**U.S. PATENT DOCUMENTS**

- 739,209 A \* 9/1903 Ocumpaugh ..... A63F 11/0002 217/25.5
- D270,551 S \* 9/1983 Thayer ..... D21/392
- D380,153 S \* 6/1997 Riddell ..... D21/392
- D395,061 S \* 6/1998 Shoptaugh ..... D21/392
- D497,437 S \* 10/2004 Poliacek ..... D25/138

- D546,400 S \* 7/2007 Ray ..... D19/92
- D644,541 S \* 9/2011 Schrader ..... D10/64
- D697,114 S \* 1/2014 Huschka ..... D16/101
- D708,243 S \* 7/2014 Huschka ..... A63F 11/0002 D16/101
- D710,421 S \* 8/2014 Huschka ..... D16/101
- D710,920 S \* 8/2014 Huschka ..... D16/101
- D850,655 S \* 6/2019 van Hoytema ..... D25/68
- D860,296 S \* 9/2019 Lin ..... D16/242
- D874,680 S \* 2/2020 van Hoytema ..... D25/68
- D885,912 S \* 6/2020 Silva ..... D9/456

\* cited by examiner

*Primary Examiner* — George D. Kirschbaum

*Assistant Examiner* — Joseph J Kukella

(57) **CLAIM**

The ornamental design for a hexagonal game piece holder with rolling tray, as shown and described.

**DESCRIPTION**

FIG. 1 is an isometric view of a hexagonal game piece holder with rolling tray.

FIG. 2 is a top view of a hexagonal game piece holder with rolling tray.

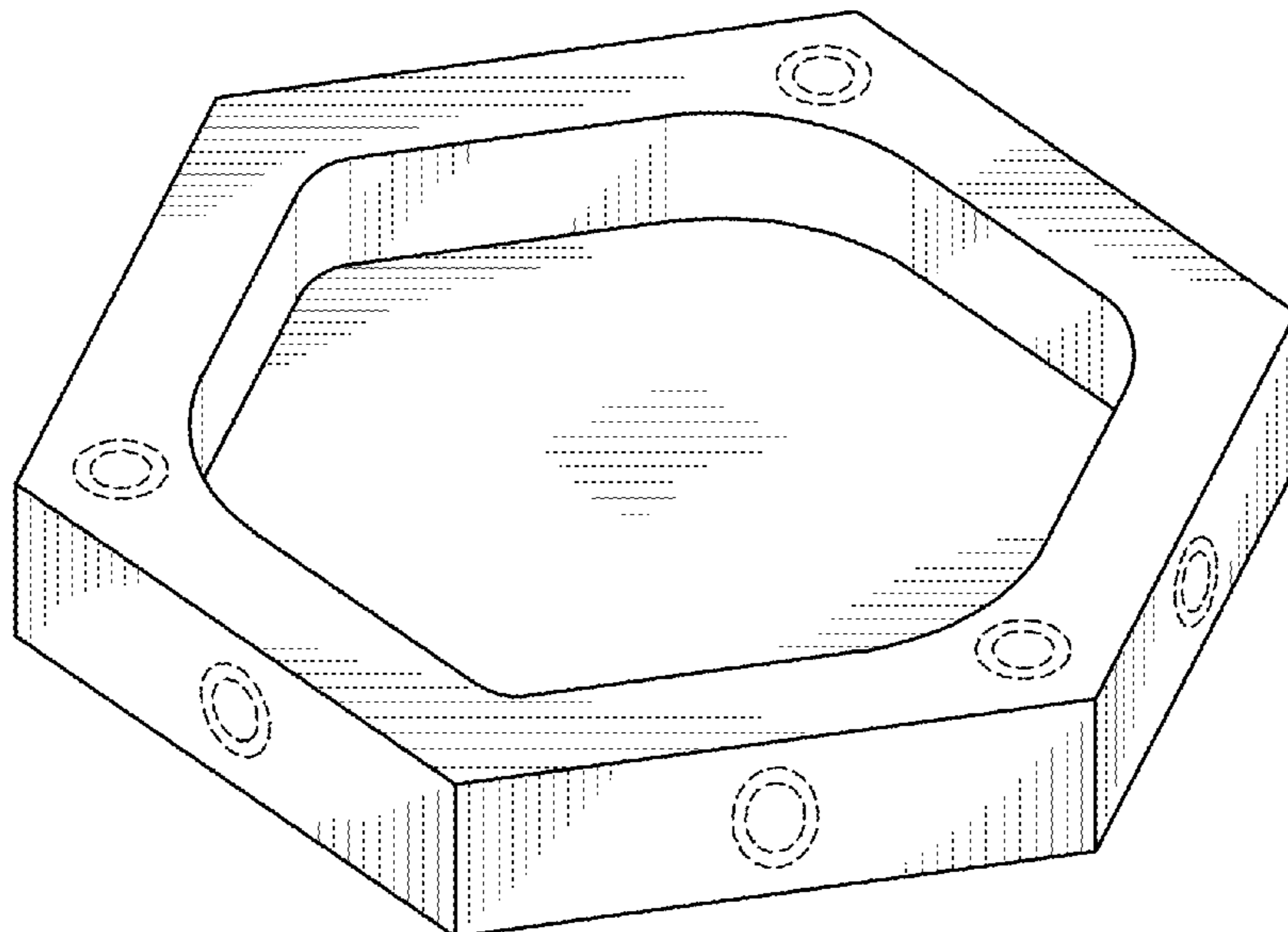
FIG. 3 is a bottom view of a hexagonal game piece holder with rolling tray.

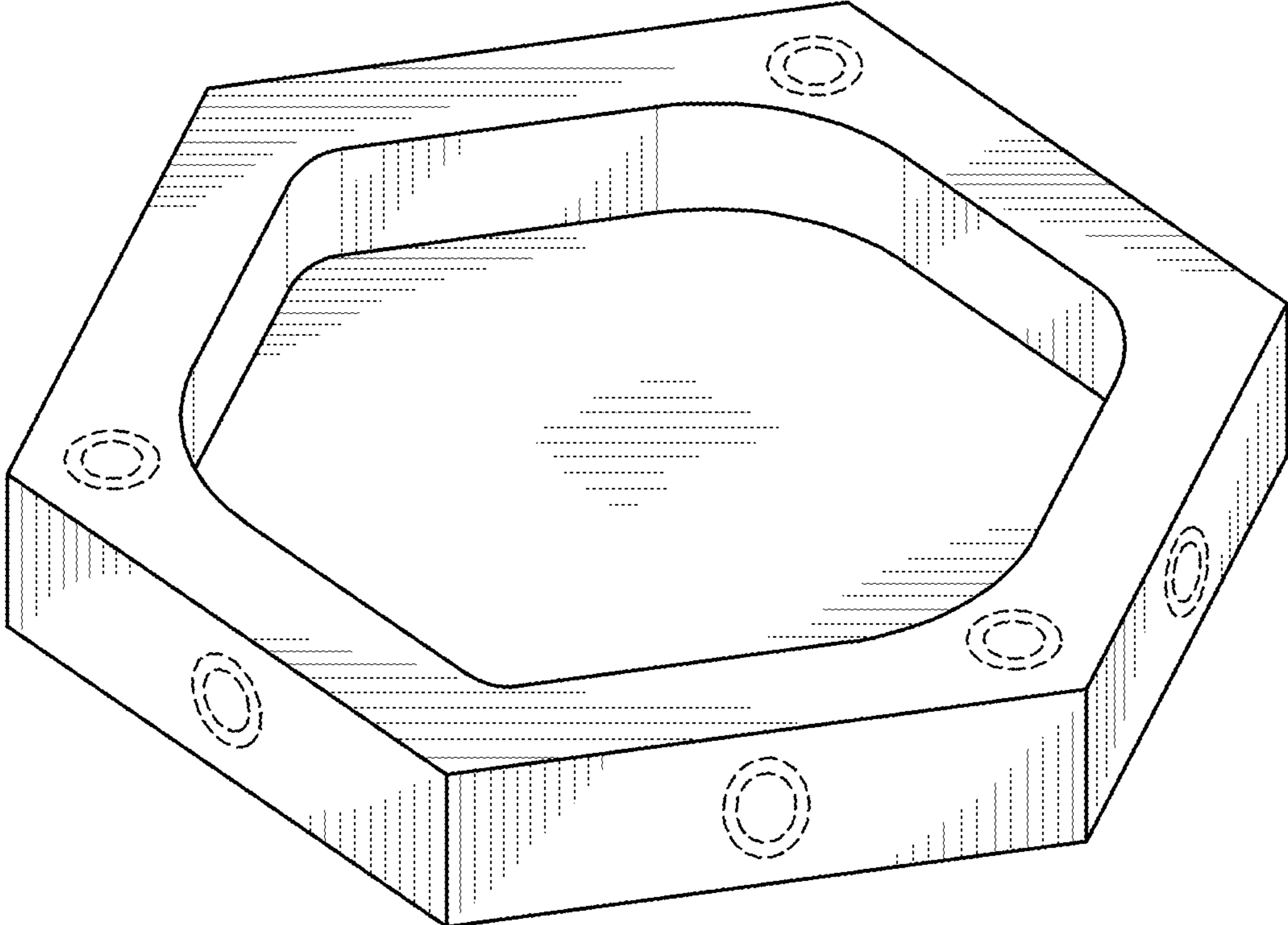
FIG. 4 is a right-side view of a hexagonal game piece holder with rolling tray. The left-side view, which is omitted from the figures, is a mirror image of the right-side view; and, FIG. 5 is a side view of the hexagonal game piece holder with rolling tray that is rotated 30 degrees with respect to the view in FIG. 4.

In the drawings, the broken lines depict portions of the hexagonal game piece holder with rolling tray that form no part of the claimed design.

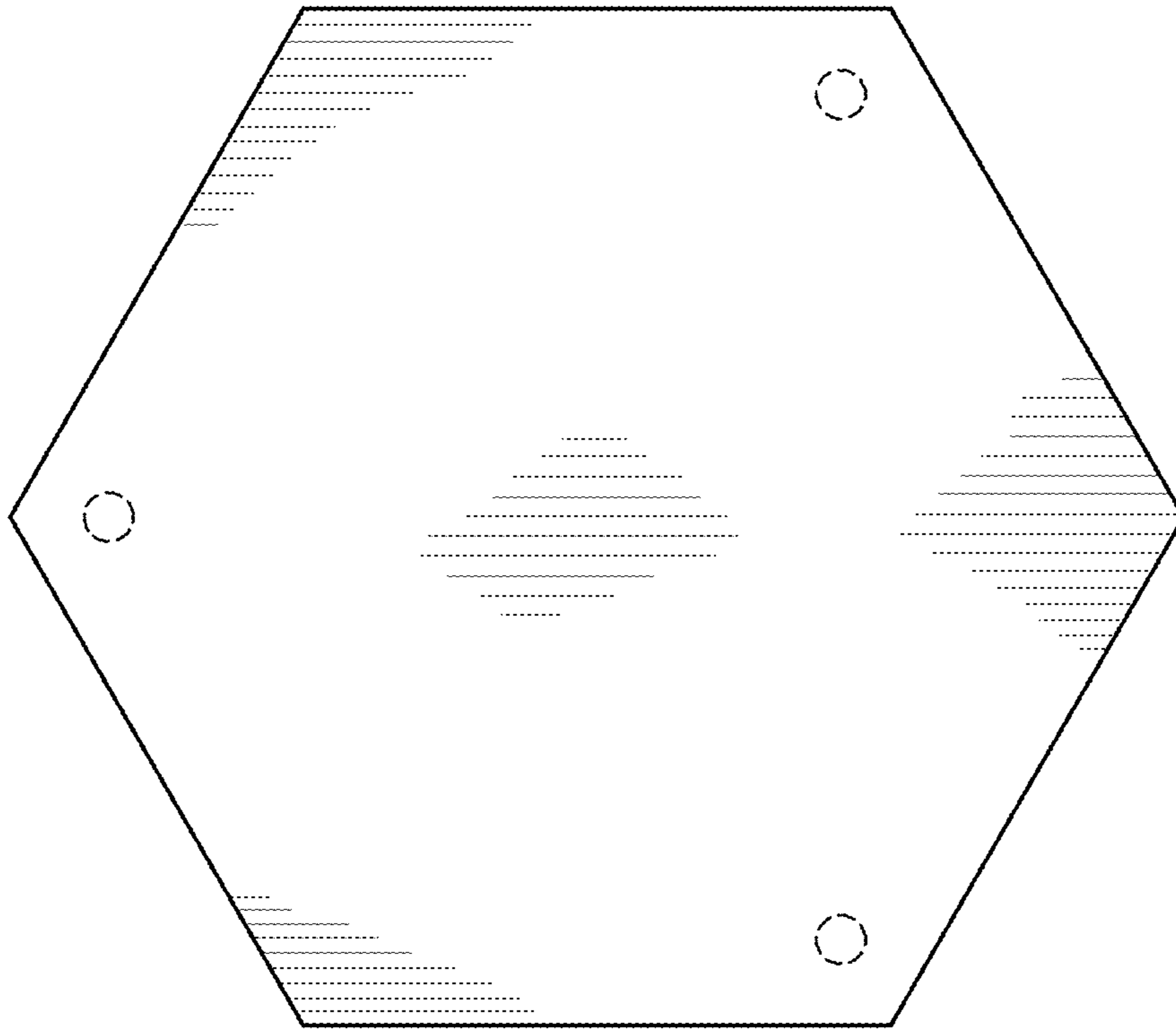
The hexagonal game piece holder with rolling tray may be used on a tabletop or other surface to hold game cards, playing cards, and/or similar objects, and/or roll dice.

**1 Claim, 3 Drawing Sheets**

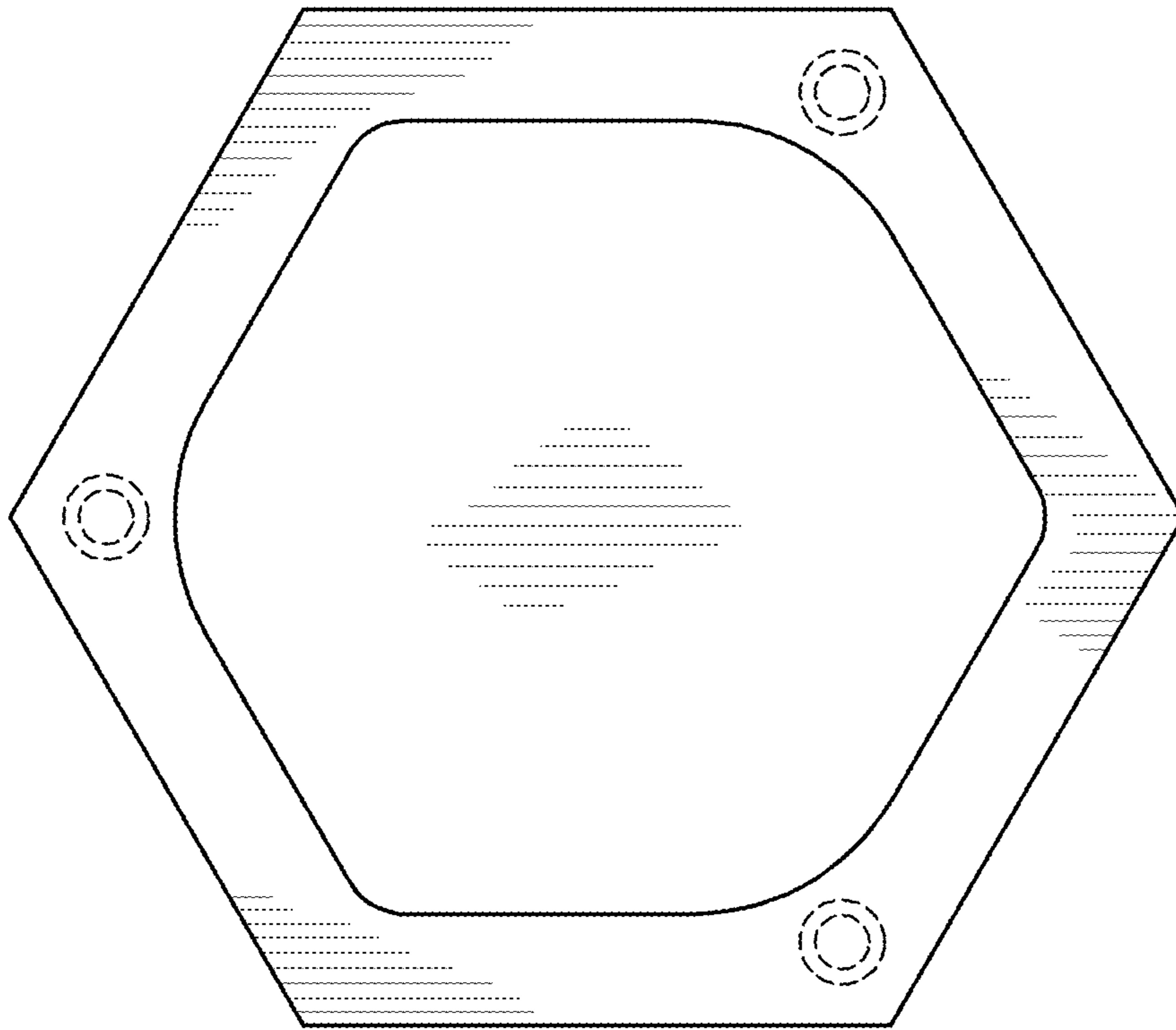




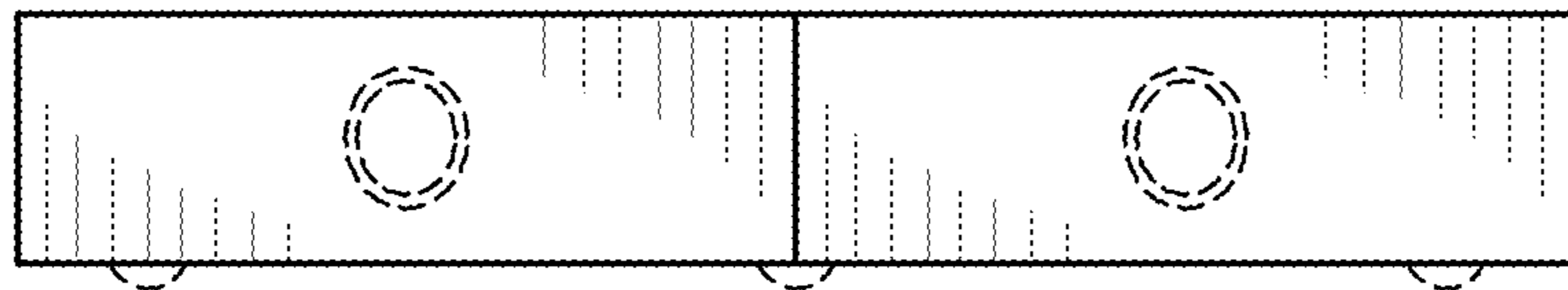
**FIG. 1**



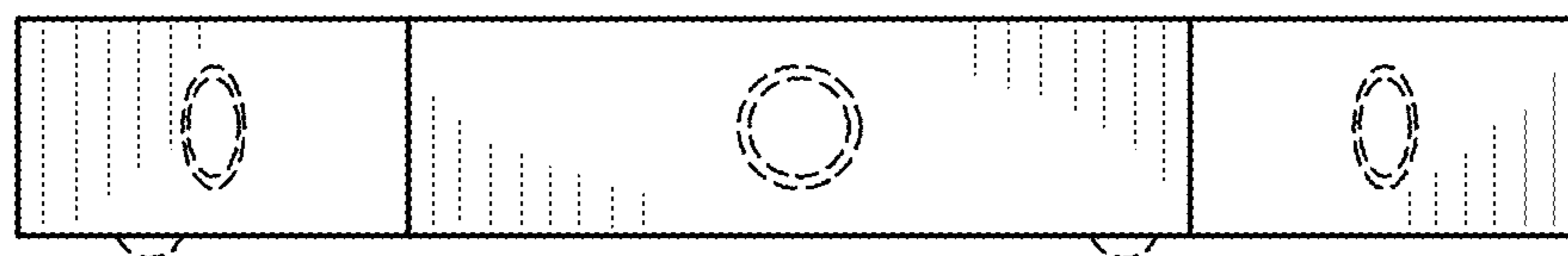
**FIG. 3**



**FIG. 2**



***FIG. 4***



***FIG. 5***