



US00D900233S

(12) **United States Design Patent** (10) **Patent No.:** **US D900,233 S**
MacDonald et al. (45) **Date of Patent:** **** Oct. 27, 2020**

(54) **HEXAGONAL GAME PIECE HOLDER WITH CARD SLOTS**

D850,655 S * 6/2019 van Hoytema D25/68
D860,296 S * 9/2019 Lin A63F 11/0002
D16/242

(71) Applicant: **Wyrwood, Inc.**, Taunton, MA (US)

D874,680 S * 2/2020 van Hoytema D25/68
D885,912 S * 6/2020 Silva D9/456

(72) Inventors: **Jason Eric MacDonald**, Onset, MA (US); **Douglas Joseph Costello**, Lakeville, MA (US); **Ian Costello**, East Taunton, MA (US)

* cited by examiner

Primary Examiner — George D. Kirschbaum
Assistant Examiner — Joseph J Kukella

(**) Term: **15 Years**

(57) **CLAIM**

(21) Appl. No.: **29/710,162**

The ornamental design for a hexagonal game piece holder with card slots, as shown and described.

(22) Filed: **Oct. 21, 2019**

DESCRIPTION

(51) **LOC (12) Cl.** **21-01**

(52) **U.S. Cl.**
USPC **D21/392**

(58) **Field of Classification Search**
USPC D9/414, 430–433; D11/40, 75, 76, 131, D11/132, 140; D21/385–396, 483–485, D21/489, 500–505; D25/138–144
CPC A63F 11/00; A63F 2003/00772–00791; A63F 2003/00943
See application file for complete search history.

FIG. 1 is an isometric view of a hexagonal game piece holder with card slots.

FIG. 2 is a top view of a hexagonal game piece holder with card slots.

FIG. 3 is a bottom view of a hexagonal game piece holder with card slots.

FIG. 4 is a right-side view of a hexagonal game piece holder with card slots. The left-side view, which is omitted from the figures, is a mirror image of the right-side view; and, FIG. 5 is a side view of the hexagonal game piece holder with card slots that is rotated 30 degrees with respect to the view in FIG. 4.

In the drawings, the broken lines depict portions of the hexagonal game piece holder with card slots that form no part of the claimed design.

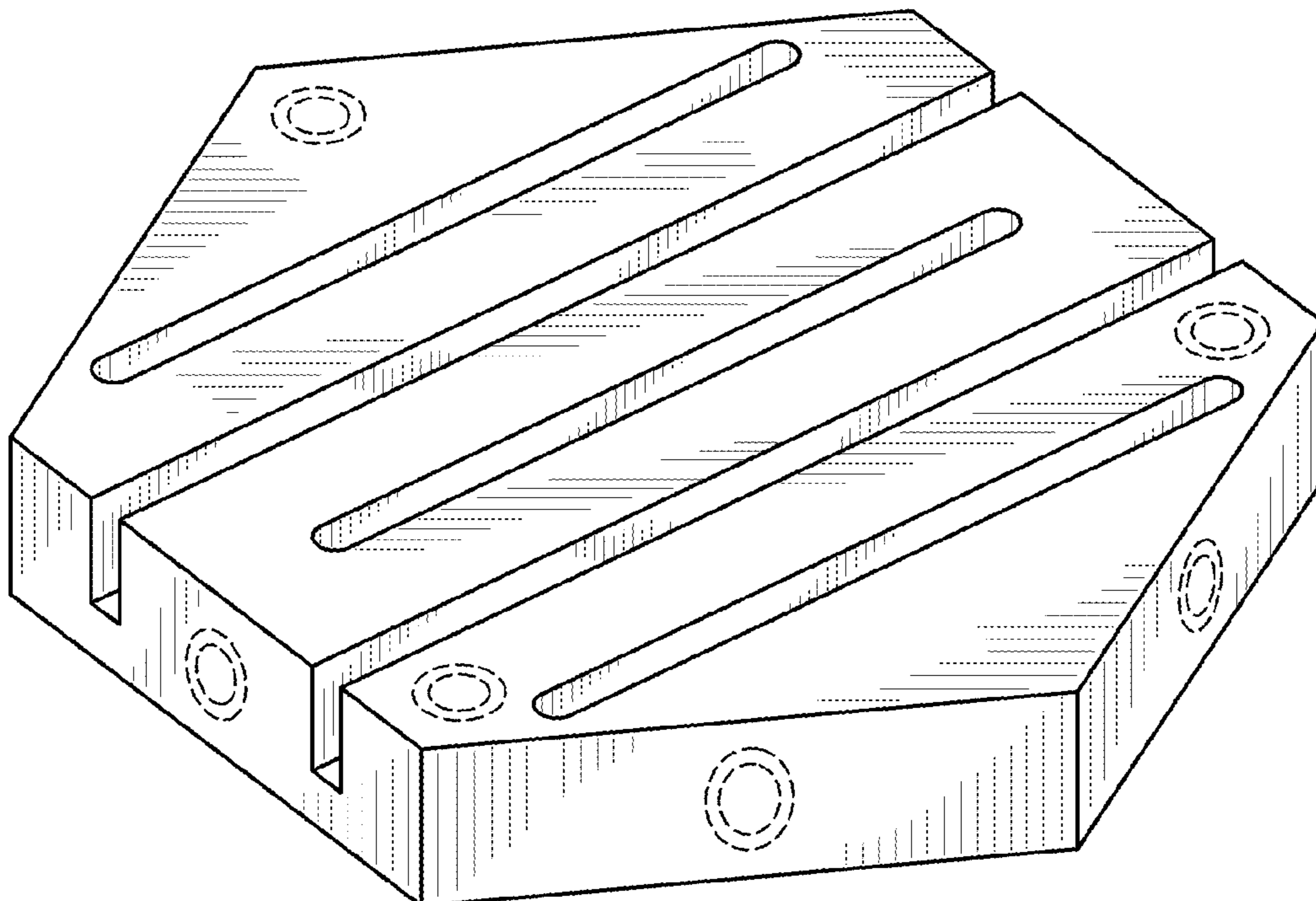
The hexagonal game piece holder with card slots may be used on a tabletop or other surface to hold game cards, playing cards, and/or similar objects.

(56) **References Cited**

U.S. PATENT DOCUMENTS

739,209 A * 9/1903 Ocumpaugh A63F 11/0002
217/25.5
D270,551 S * 9/1983 Thayer D21/392
D380,153 S * 6/1997 Riddell D21/392
D395,061 S * 6/1998 Shoptaugh D21/392
D497,437 S * 10/2004 Poliacek D25/138
D546,400 S * 7/2007 Ray D19/92
D726,954 S * 4/2015 Wang D26/120

1 Claim, 3 Drawing Sheets



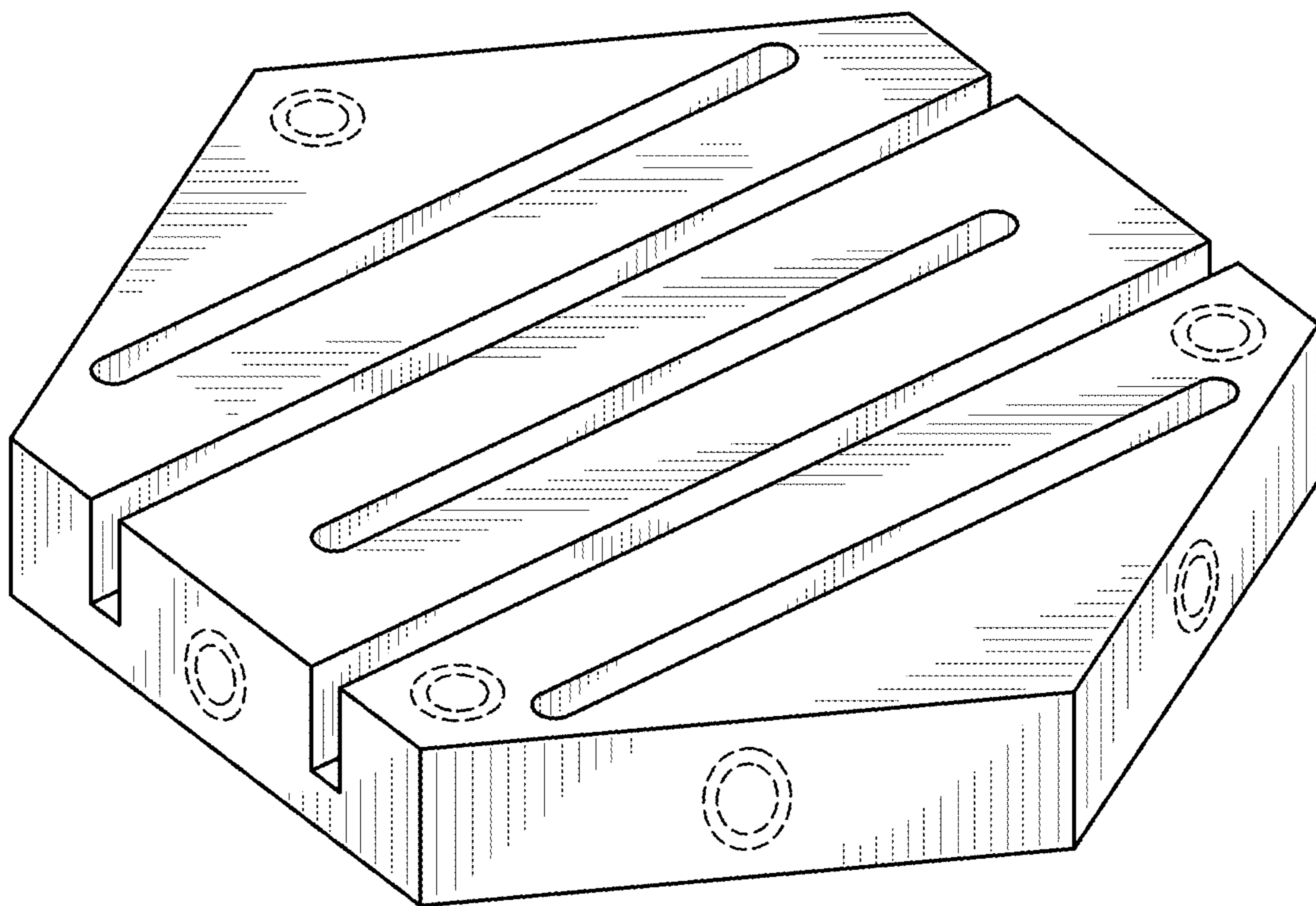


FIG. 1

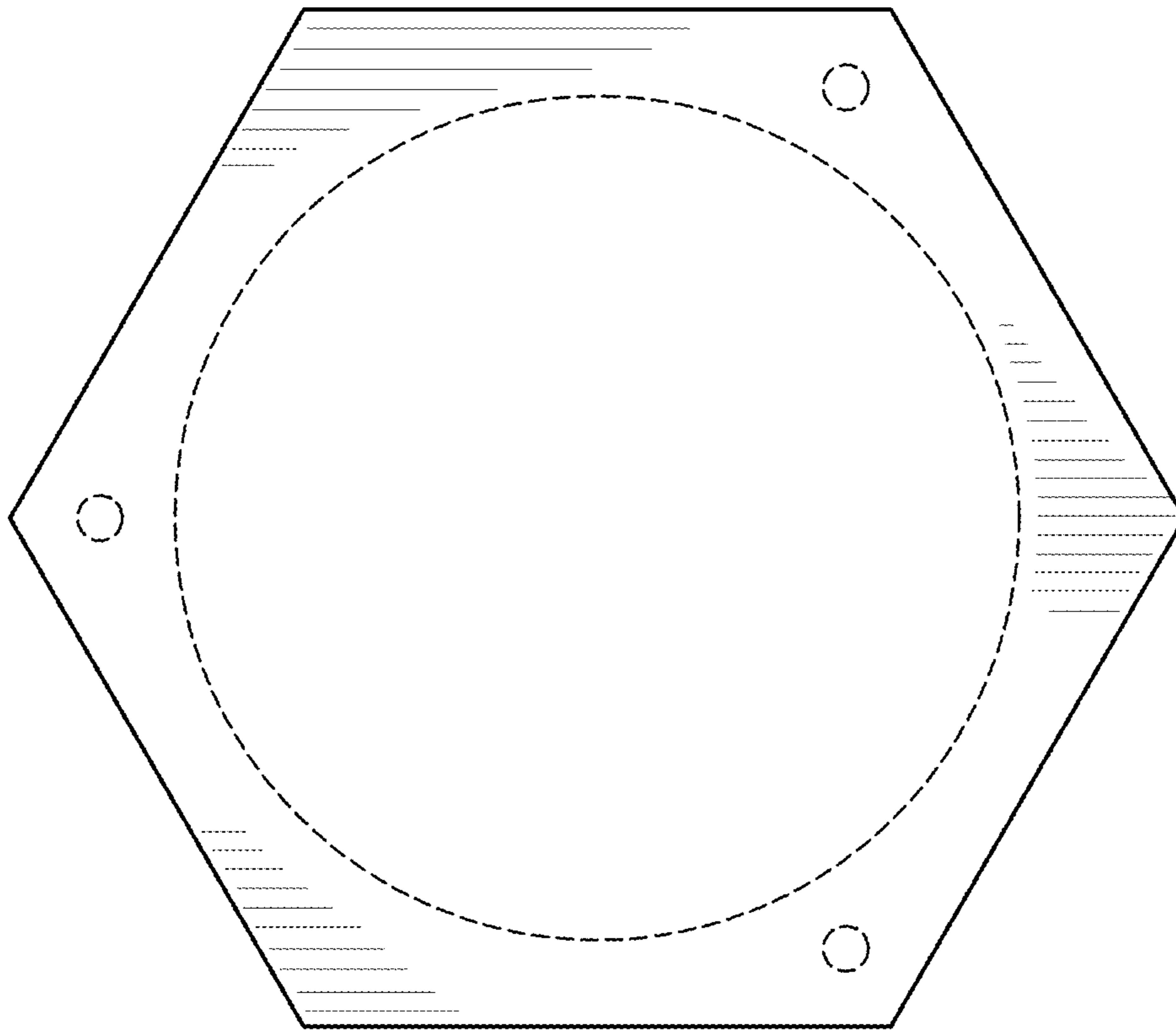


FIG. 3

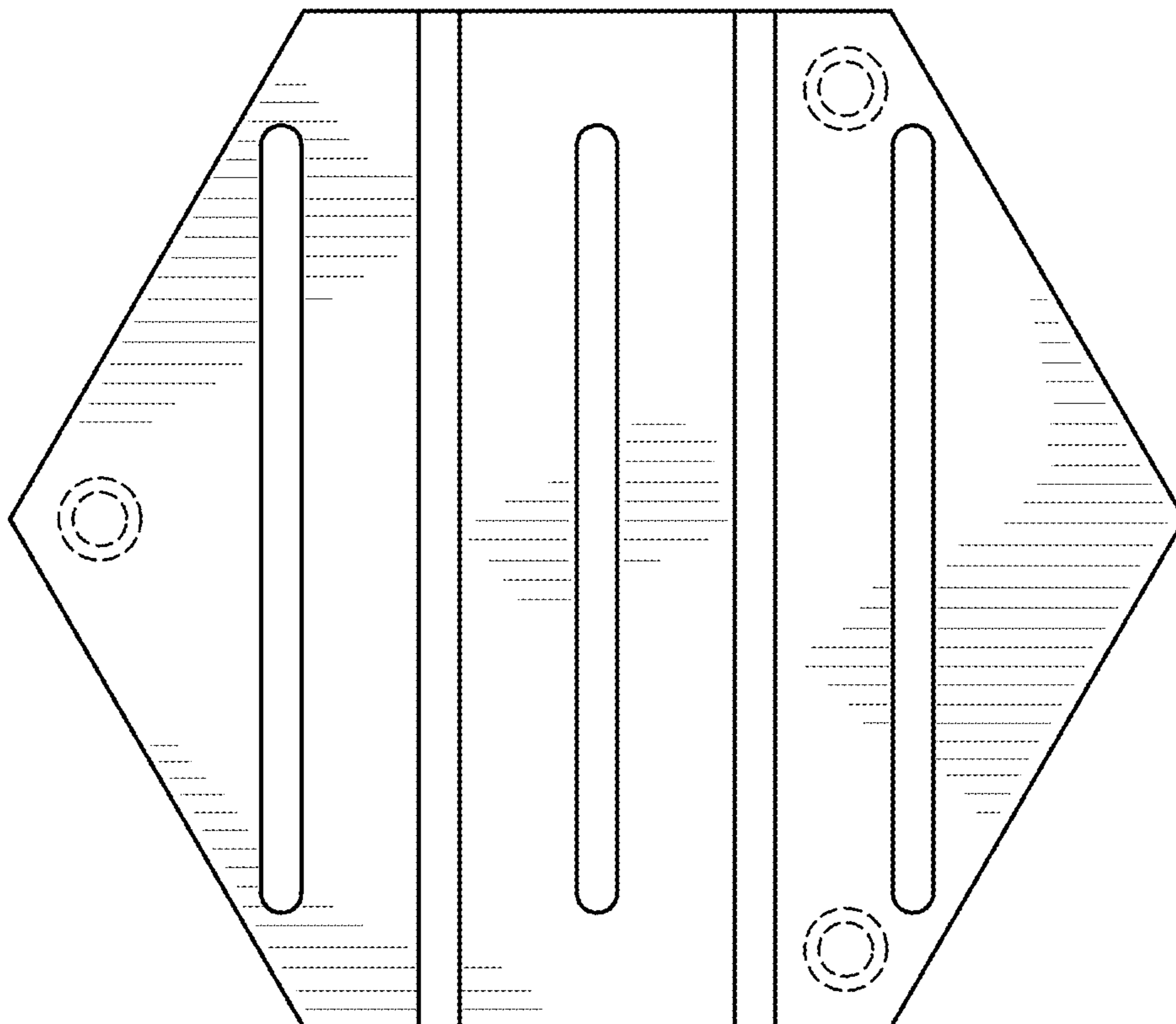


FIG. 2

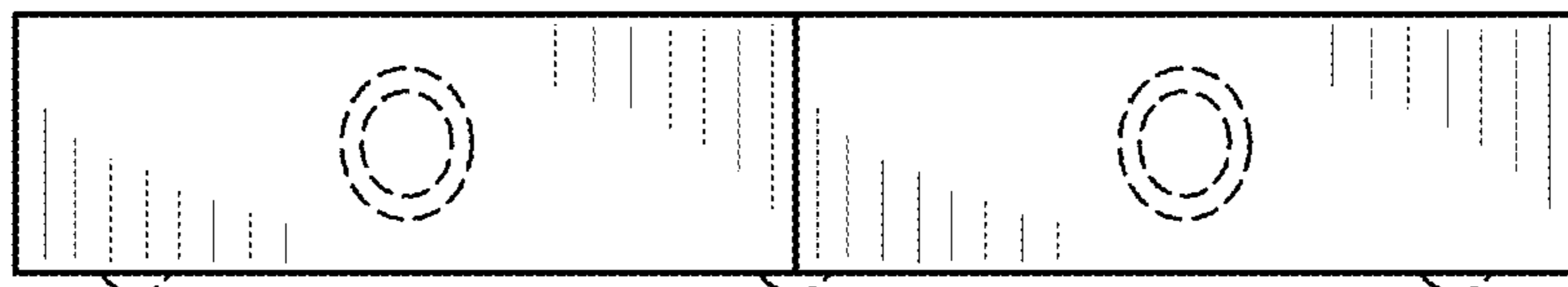


FIG. 4

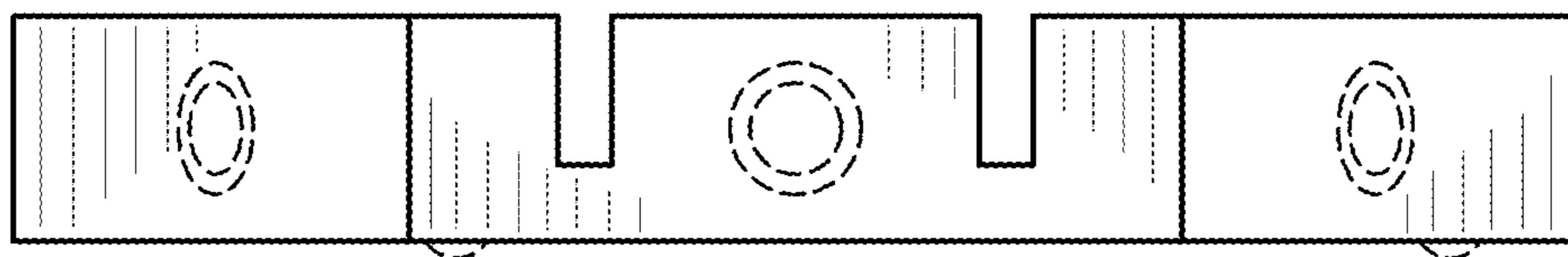


FIG. 5