



US00D900232S

(12) **United States Design Patent** (10) **Patent No.:** **US D900,232 S**
MacDonald et al. (45) **Date of Patent:** **** Oct. 27, 2020**

(54) **HEXAGONAL GAME PIECE HOLDER WITH BOWL**

D850,655 S * 6/2019 van Hoytema A63F 11/0002
D25/68
D860,296 S * 9/2019 Lin D16/242
D874,680 S * 2/2020 van Hoytema D25/68
D885,912 S * 6/2020 Silva D9/456

(71) Applicant: **Wyrmswood, Inc.**, Taunton, MA (US)

(72) Inventors: **Jason Eric MacDonald**, Onset, MA (US); **Douglas Joseph Costello**, Lakeville, MA (US); **Ian Costello**, East Taunton, MA (US)

* cited by examiner

Primary Examiner — George D. Kirschbaum
Assistant Examiner — Joseph J Kukella

(**) Term: **15 Years**

(21) Appl. No.: **29/710,160**

(22) Filed: **Oct. 21, 2019**

(51) **LOC (12) Cl.** **21-01**

(52) **U.S. Cl.**

USPC **D21/392**

(58) **Field of Classification Search**

USPC D9/414, 430–433; D11/40, 75, 76, 131,
D11/132, 140; D21/385–396, 483–485,
D21/489, 500–505; D25/138–144
CPC A63F 11/00; A63F 2003/00772–00791;
A63F 2003/00943

See application file for complete search history.

(56) **References Cited**

U.S. PATENT DOCUMENTS

739,209 A * 9/1903 Ocumpaugh A63F 11/0002
217/25.5
D270,551 S * 9/1983 Thayer D21/392
D380,153 S * 6/1997 Riddell D21/392
D395,061 S * 6/1998 Shoptaugh D21/392
D497,437 S * 10/2004 Poliacek D25/138
D526,885 S * 8/2006 Kelleghan D8/356
D546,400 S * 7/2007 Ray D19/92
D710,419 S * 8/2014 Huschka D16/101

(57) **CLAIM**

The ornamental design for a hexagonal game piece holder with bowl, as shown and described.

DESCRIPTION

FIG. 1 is an isometric view of a hexagonal game piece holder with bowl.

FIG. 2 is a top view of a hexagonal game piece holder with bowl.

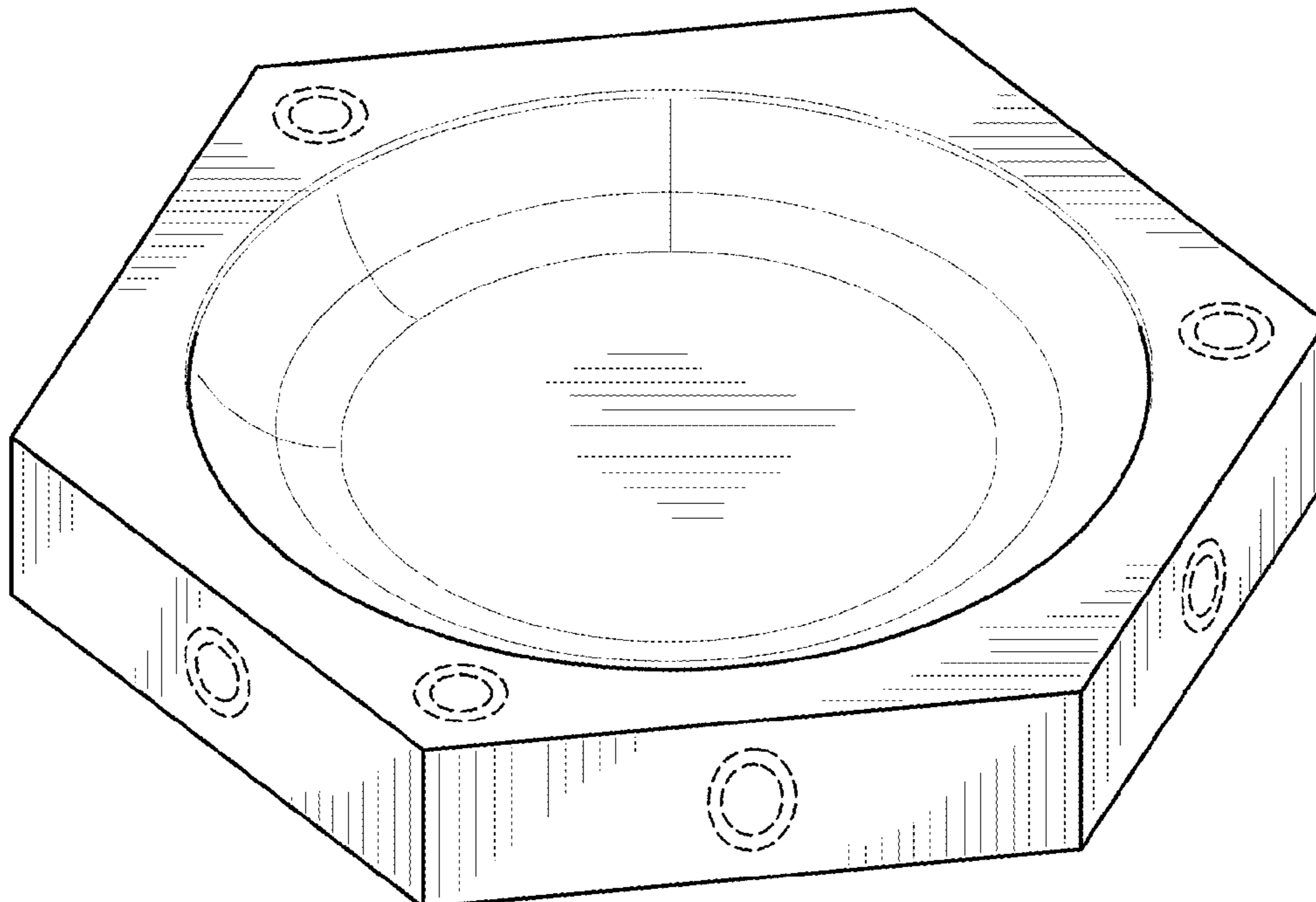
FIG. 3 is a bottom view of a hexagonal game piece holder with bowl.

FIG. 4 is a right-side view of a hexagonal game piece holder with bowl. The left-side view, which is omitted from the figures, is a mirror image of the right-side view; and, FIG. 5 is a side view of the hexagonal game piece holder with bowl that is rotated 30 degrees with respect to the view in FIG. 4.

In the drawings, the broken lines depict portions of the hexagonal game piece holder with bowl that form no part of the claimed design.

The hexagonal game piece holder with bowl may be used on a tabletop or other surface to hold game pieces, dice, and similar objects.

1 Claim, 3 Drawing Sheets



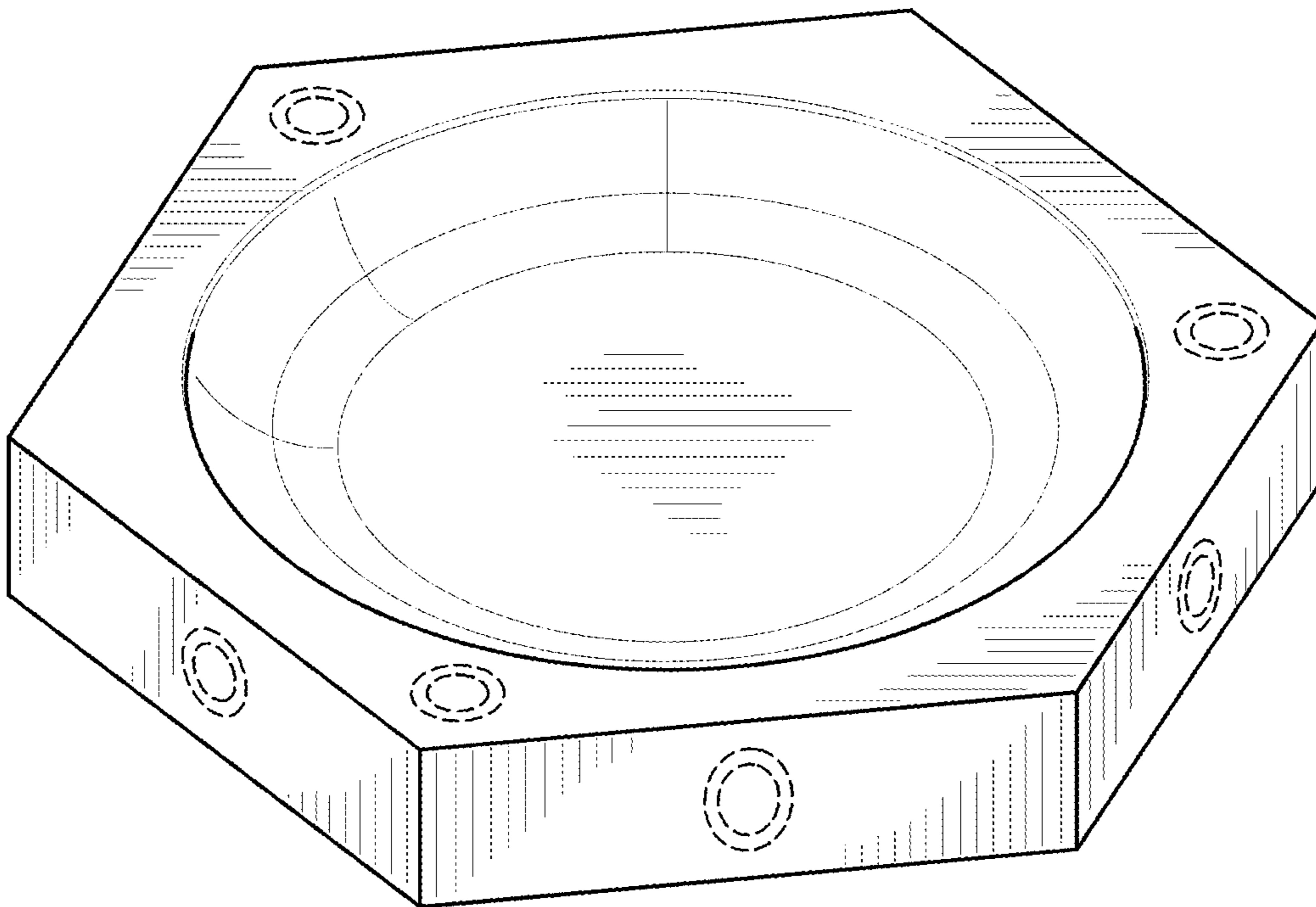


FIG. 1

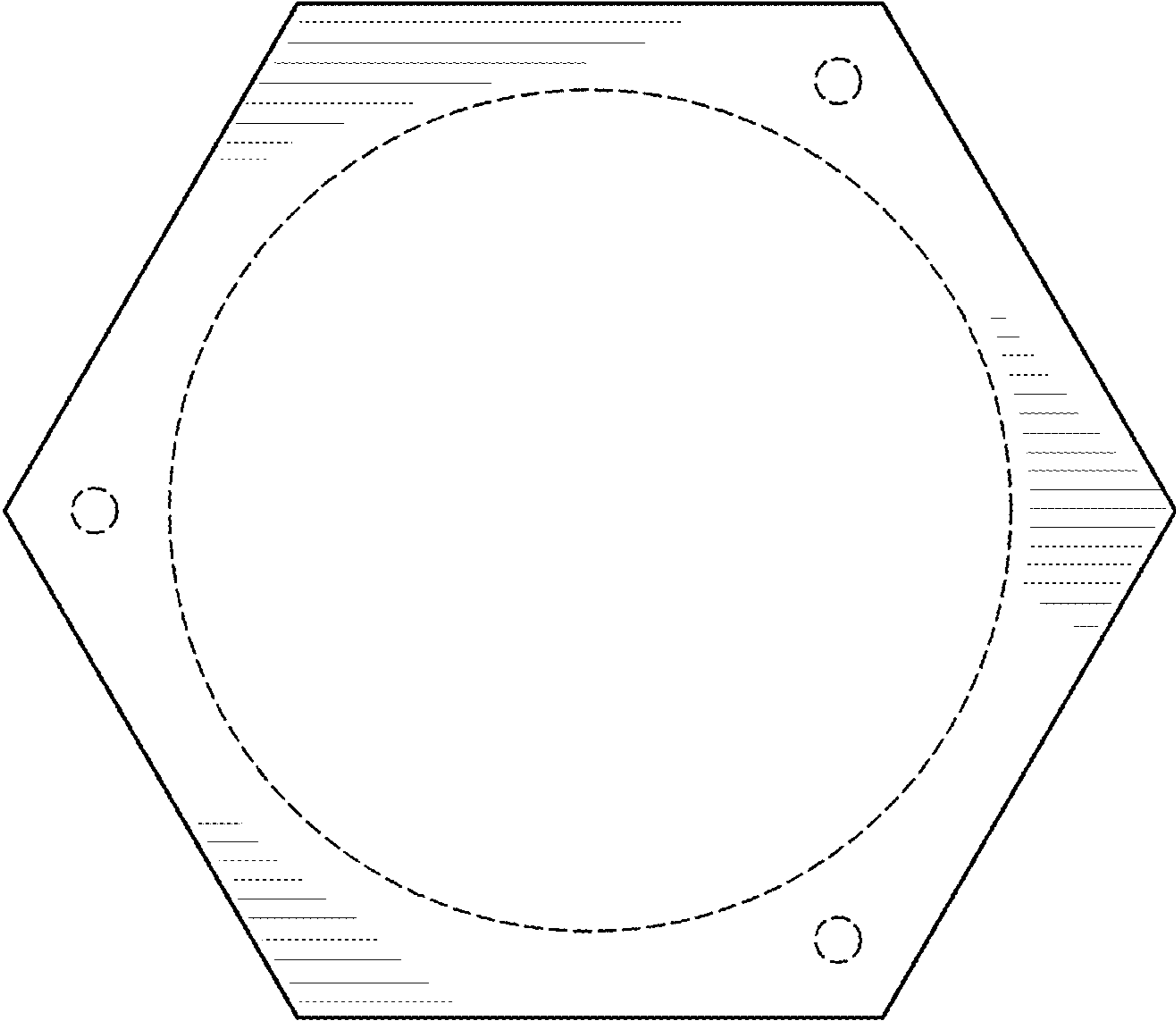


FIG. 3

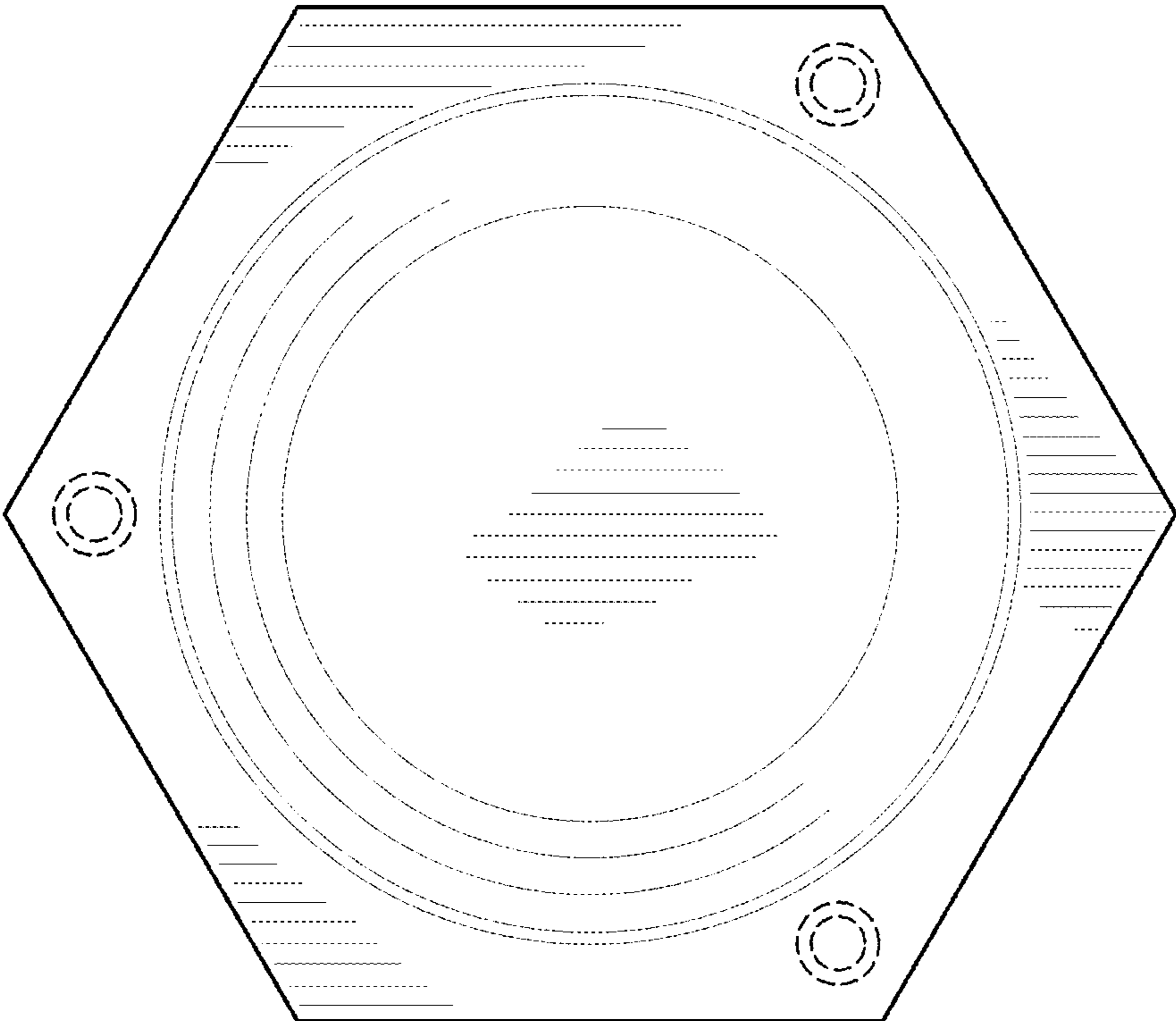


FIG. 2

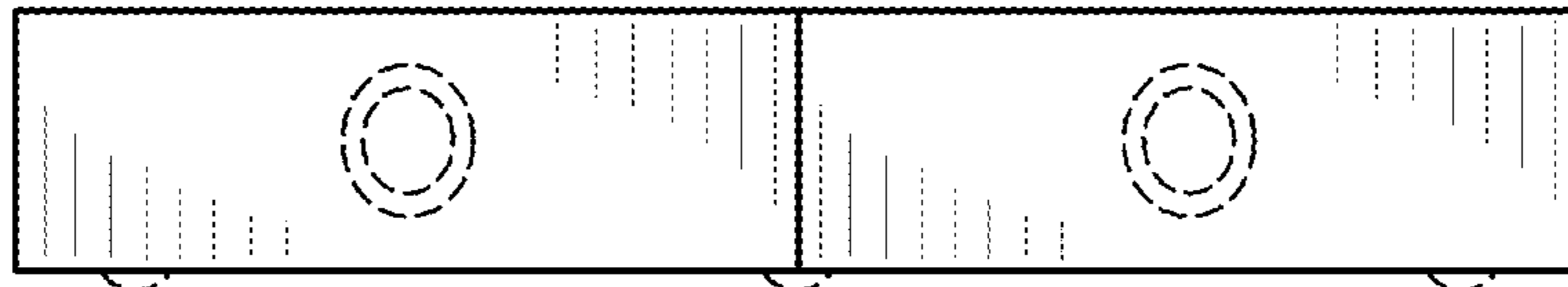


FIG. 4



FIG. 5