



US00D900230S

(12) **United States Design Patent**
Stikeleather

(10) **Patent No.:** **US D900,230 S**

(45) **Date of Patent:** **** Oct. 27, 2020**

(54) **RECEPTACLE FOR A GAME**

(71) Applicant: **Edward R. Stikeleather**, Medfield, MA (US)

(72) Inventor: **Edward R. Stikeleather**, Medfield, MA (US)

(**) Term: **15 Years**

(21) Appl. No.: **29/621,696**

(22) Filed: **Oct. 10, 2017**

(51) **LOC (12) Cl.** **21-01**

(52) **U.S. Cl.**
USPC **D21/385**

(58) **Field of Classification Search**
USPC D21/300, 334, 335, 363, 365, 370,
D21/385-389, 392, 397; D10/46.1

(Continued)

(56) **References Cited**

U.S. PATENT DOCUMENTS

D33,153 S * 9/1900 Cornell D21/385
1,114,523 A * 10/1914 Revell 273/354

(Continued)

Primary Examiner — George D. Kirschbaum

Assistant Examiner — Joseph J. Kukella

(74) *Attorney, Agent, or Firm* — Grossman, Tucker,
Perreault & Pfleger, PLLC

(57) **CLAIM**

The ornamental design for a receptacle for a game, as shown and described.

DESCRIPTION

FIG. 1 is a perspective view of a first embodiment of a receptacle for a game of the present invention;

FIG. 2 is a perspective cross-sectional view of the receptacle for a game of FIG. 1 taken along the line 2-2;

FIG. 3 is a top view of the receptacle for a game of FIG. 1;

FIG. 4 is a bottom view of the receptacle for a game of FIG. 1;

FIG. 5 is a cross-sectional side view of the receptacle for a game of FIG. 1 taken along the line 5-5;

FIG. 6 is a cross-sectional side view of the receptacle for a game of FIG. 1 taken along the line 6-6;

FIG. 7 is a cross-sectional side view of the receptacle for a game of FIG. 1 taken along the line 7-7;

FIG. 8 is a cross-sectional side view of the receptacle for a game of FIG. 1 taken along the line 8-8;

FIG. 9 is a cross-sectional side view of the receptacle for a game of FIG. 1 taken along the line 9-9;

FIG. 10 is a perspective view of a second embodiment of a receptacle for a game of the present invention;

FIG. 11 is a perspective cross-sectional view of the receptacle for a game of FIG. 10 taken along the line 11-11;

FIG. 12 is a top view of the receptacle for a game of FIG. 10;

FIG. 13 is a bottom view of the receptacle for a game of FIG. 10;

FIG. 14 is a cross-sectional side view of the receptacle for a game of FIG. 10 taken along the line 14-14;

FIG. 15 is a cross-sectional side view of the receptacle for a game of FIG. 10 taken along the line 15-15;

FIG. 16 is a cross-sectional side view of the receptacle for a game of FIG. 10 taken along the line 16-16;

FIG. 17 is a cross-sectional side view of the receptacle for a game of FIG. 10 taken along the line 17-17;

FIG. 18 is a cross-sectional side view of the receptacle for a game of FIG. 10 taken along the line 18-18;

FIG. 19 is a perspective view of a third embodiment of a receptacle for a game of the present invention;

FIG. 20 is a perspective cross-sectional view of the receptacle for a game of FIG. 19 taken along the line 20-20;

FIG. 21 is a top view of the receptacle for a game of FIG. 19;

FIG. 22 is a bottom view of the receptacle for a game of FIG. 19;

FIG. 23 is a cross-sectional side view of the receptacle for a game of FIG. 19 taken along the line 23-23;

FIG. 24 is a cross-sectional side view of the receptacle for a game of FIG. 19 taken along the line 24-24;

FIG. 25 is a cross-sectional side view of the receptacle for a game of FIG. 19 taken along the line 25-25;

(Continued)

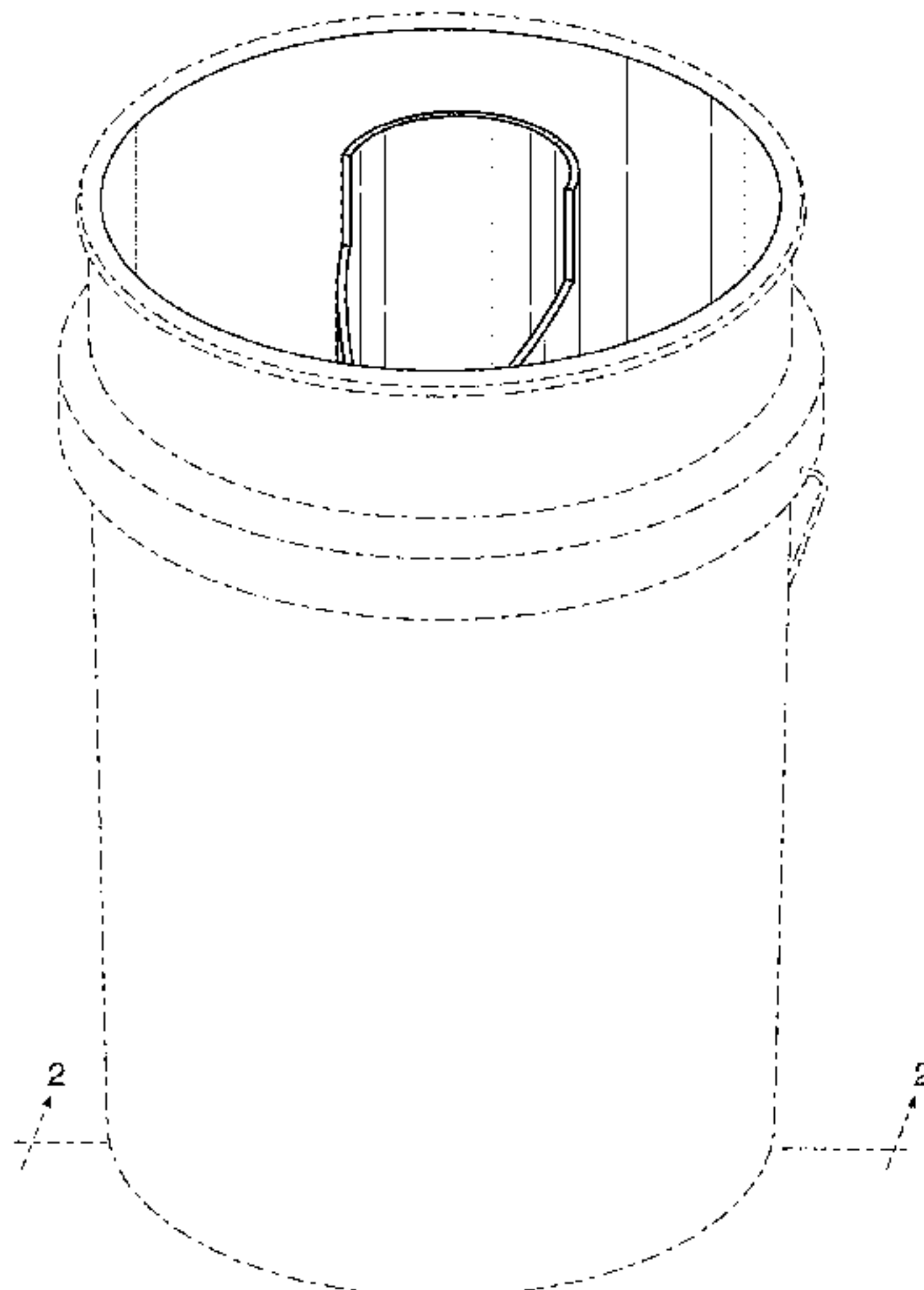


FIG. 26 is a cross-sectional side view of the receptacle for a game of FIG. 19 taken along the line 26-26; and, FIG. 27 is a cross-sectional side view of the receptacle for a game of FIG. 19 taken along the line 27-27. The broken lines are included for the purpose of illustrating the unclaimed portions of the article and form no part of the claim.

1 Claim, 27 Drawing Sheets

(58) **Field of Classification Search**

CPC A63B 67/06; A63B 2067/063; A63B 2067/065; A63B 71/06; A63B 71/0608
See application file for complete search history.

(56) **References Cited**

U.S. PATENT DOCUMENTS

D91,034 S * 11/1933 Kirk D21/385
3,244,420 A * 4/1966 Poynter A63B 63/083
273/402

D222,945 S * 2/1972 Knox D3/302
3,790,174 A * 2/1974 Skillern F41J 13/02
273/394
D248,680 S * 7/1978 Waski A63F 7/0088
D21/385
5,052,693 A * 10/1991 Hicks A63B 67/06
273/336
5,123,656 A 6/1992 Green
D378,687 S * 4/1997 Clark A63B 63/083
D21/304
D479,279 S * 9/2003 Kessler, Jr. F41J 13/02
D21/303
7,134,662 B2 * 11/2006 Menendez A63B 67/06
273/400
D533,599 S * 12/2006 Bolter D21/303
D627,833 S * 11/2010 Willis A63B 67/06
D21/385
D691,660 S * 10/2013 Shea D21/303
9,707,461 B1 * 7/2017 McKnight A63B 67/06
9,827,474 B2 * 11/2017 Sciandra A63B 67/06
10,137,360 B2 * 11/2018 Sciandra A63F 9/0204
2008/0265719 A1 * 10/2008 deMange A63B 47/00
312/49
2020/0147466 A1 * 5/2020 Heinrich A63F 7/0088

* cited by examiner

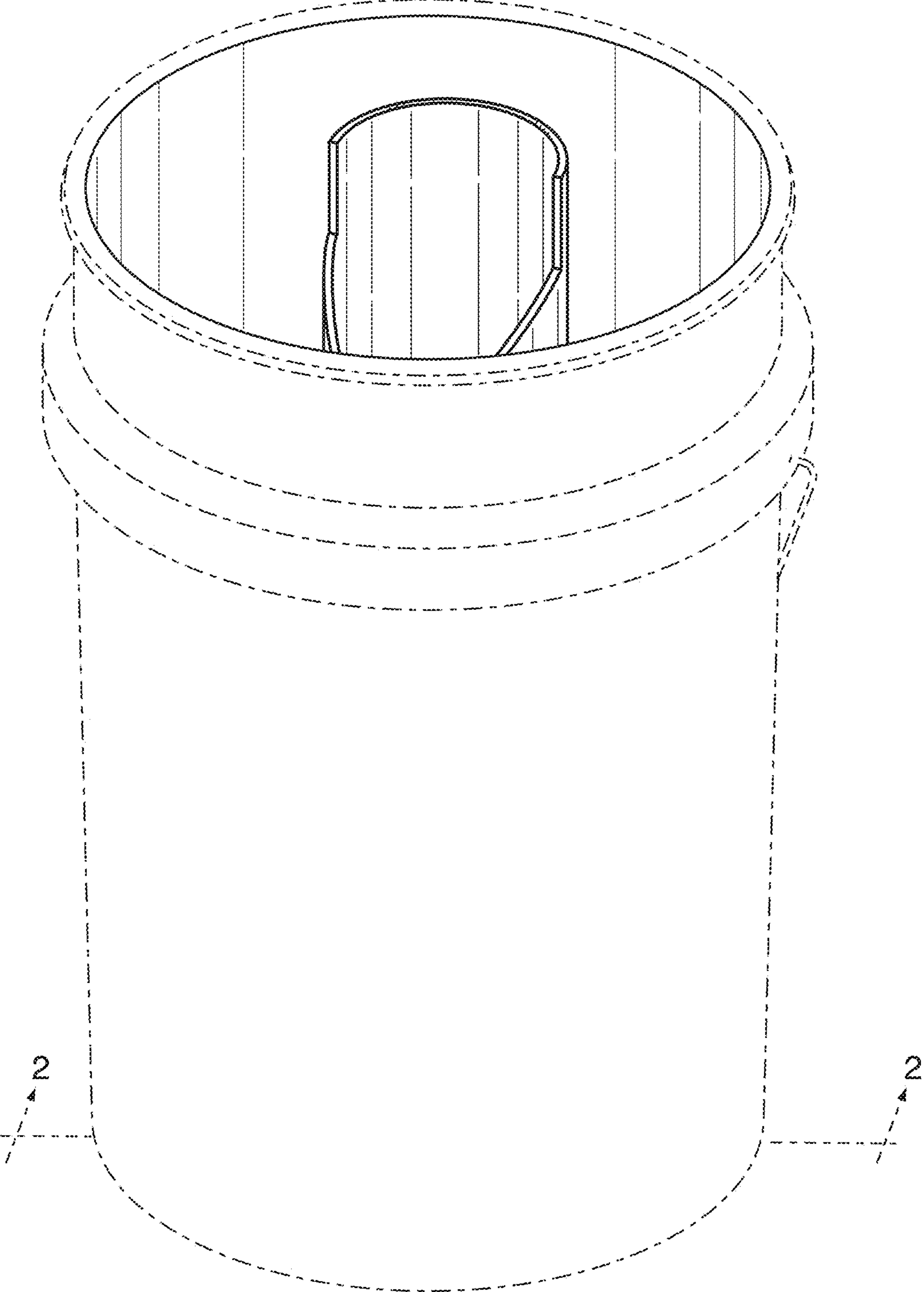


FIG. 1

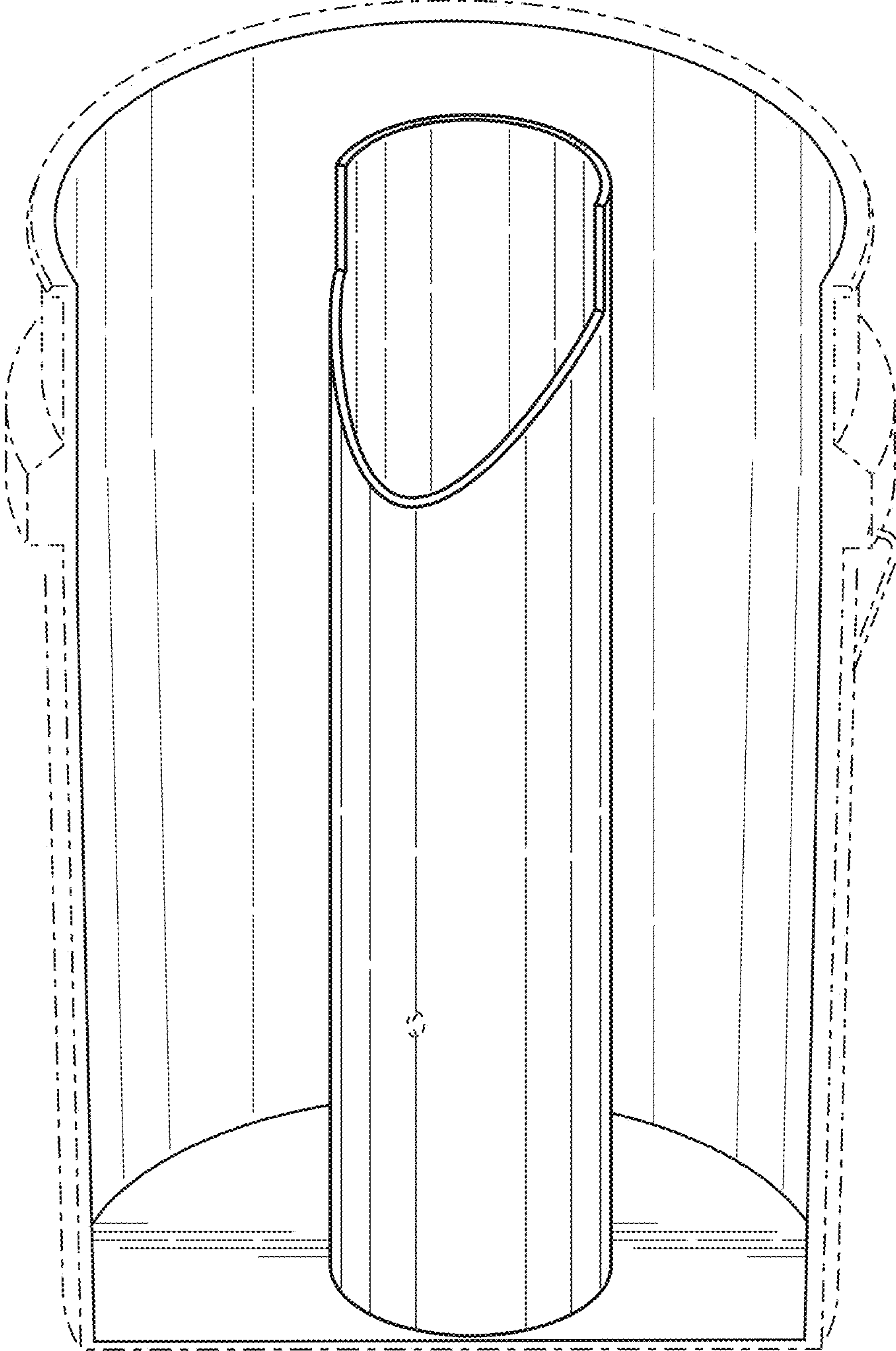


FIG. 2

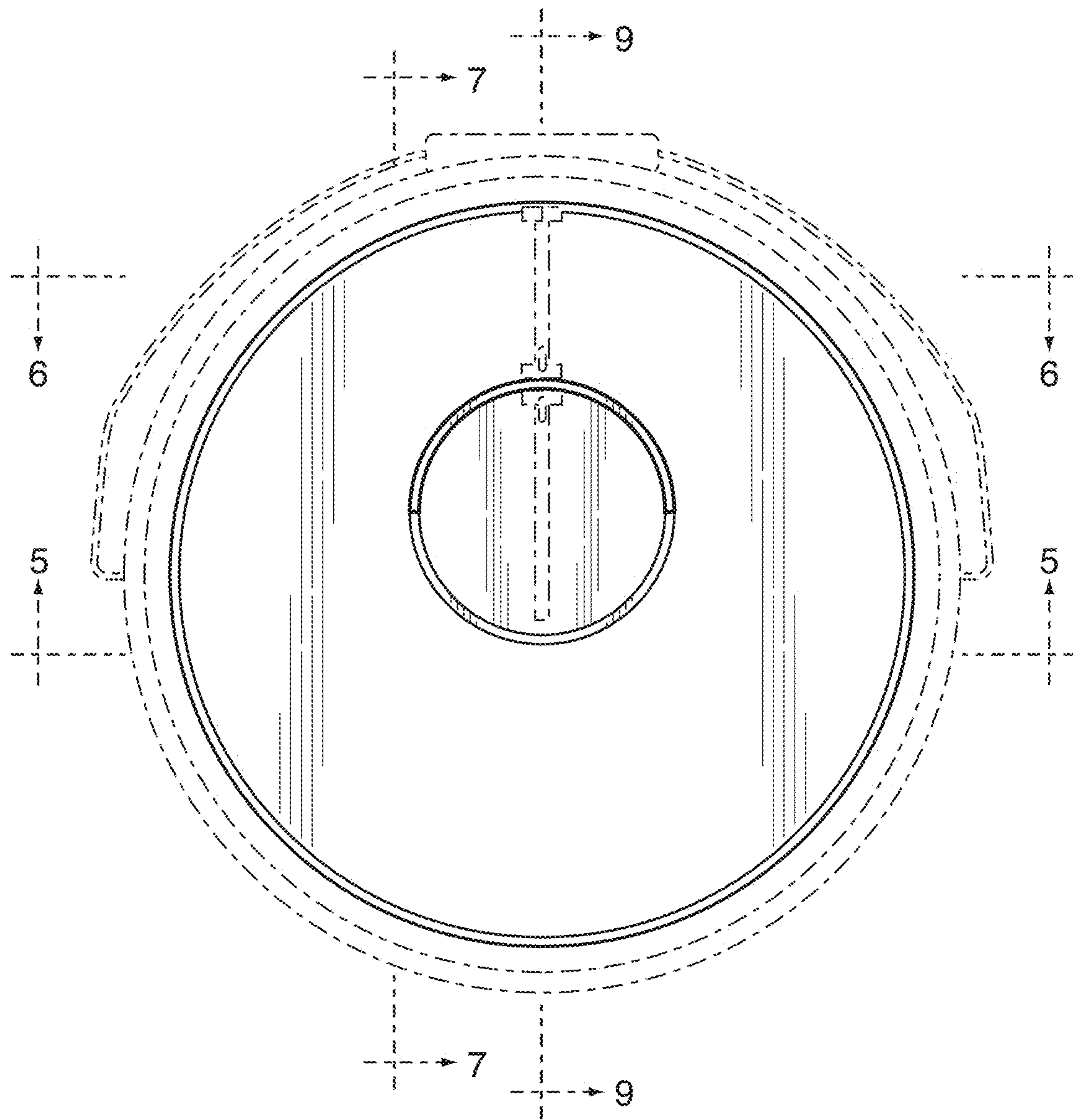


FIG. 3

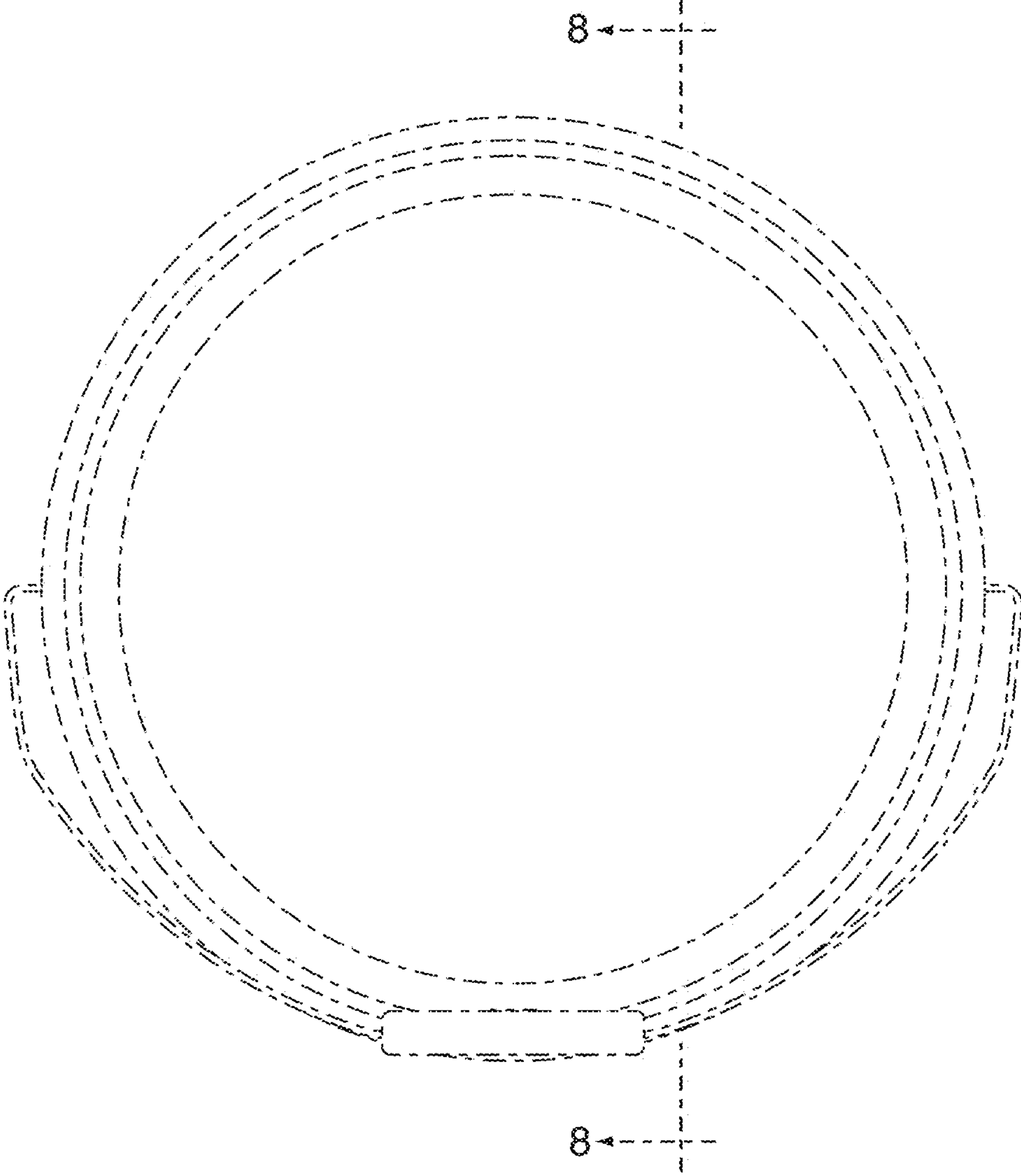


FIG. 4

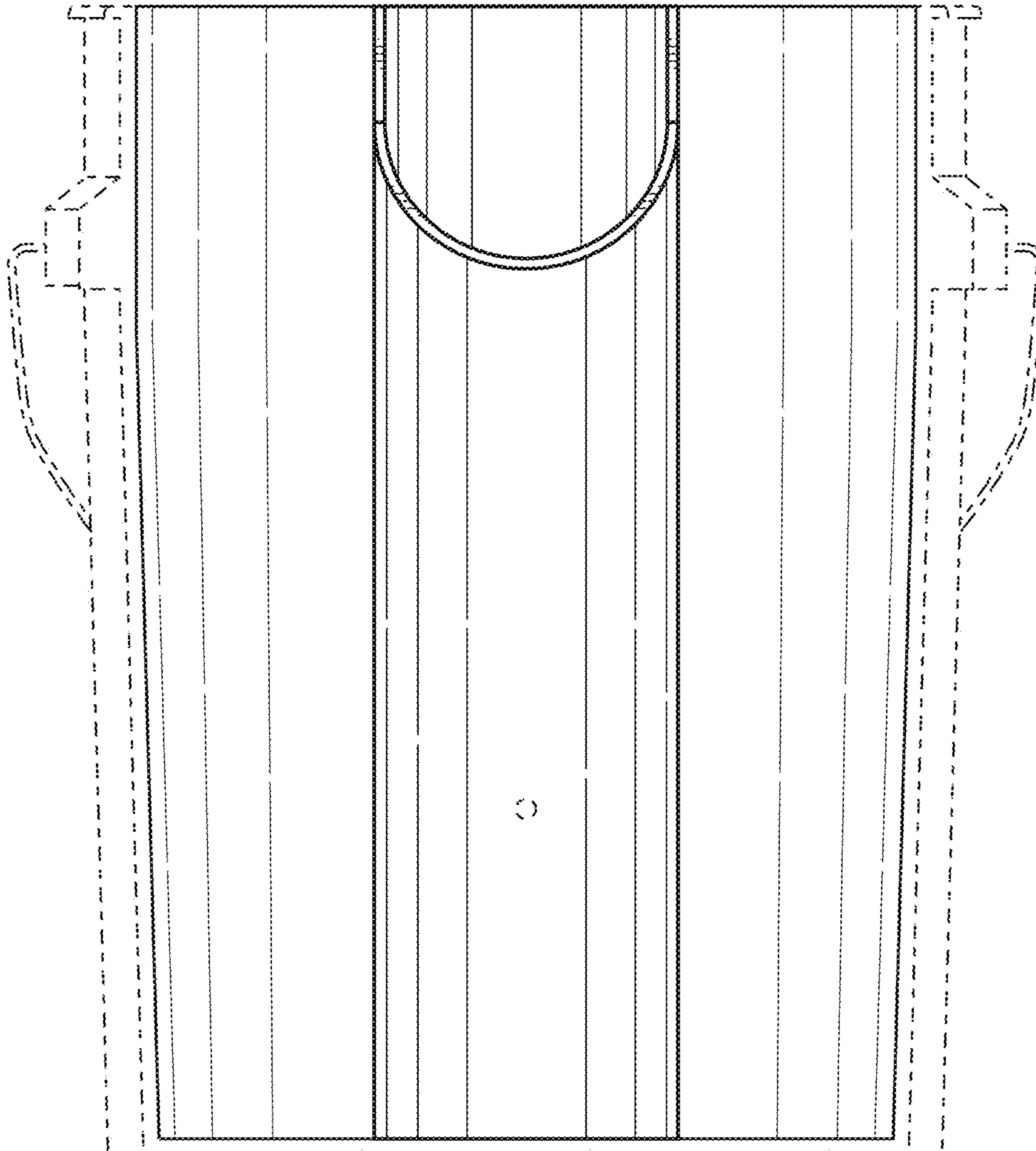


FIG. 5

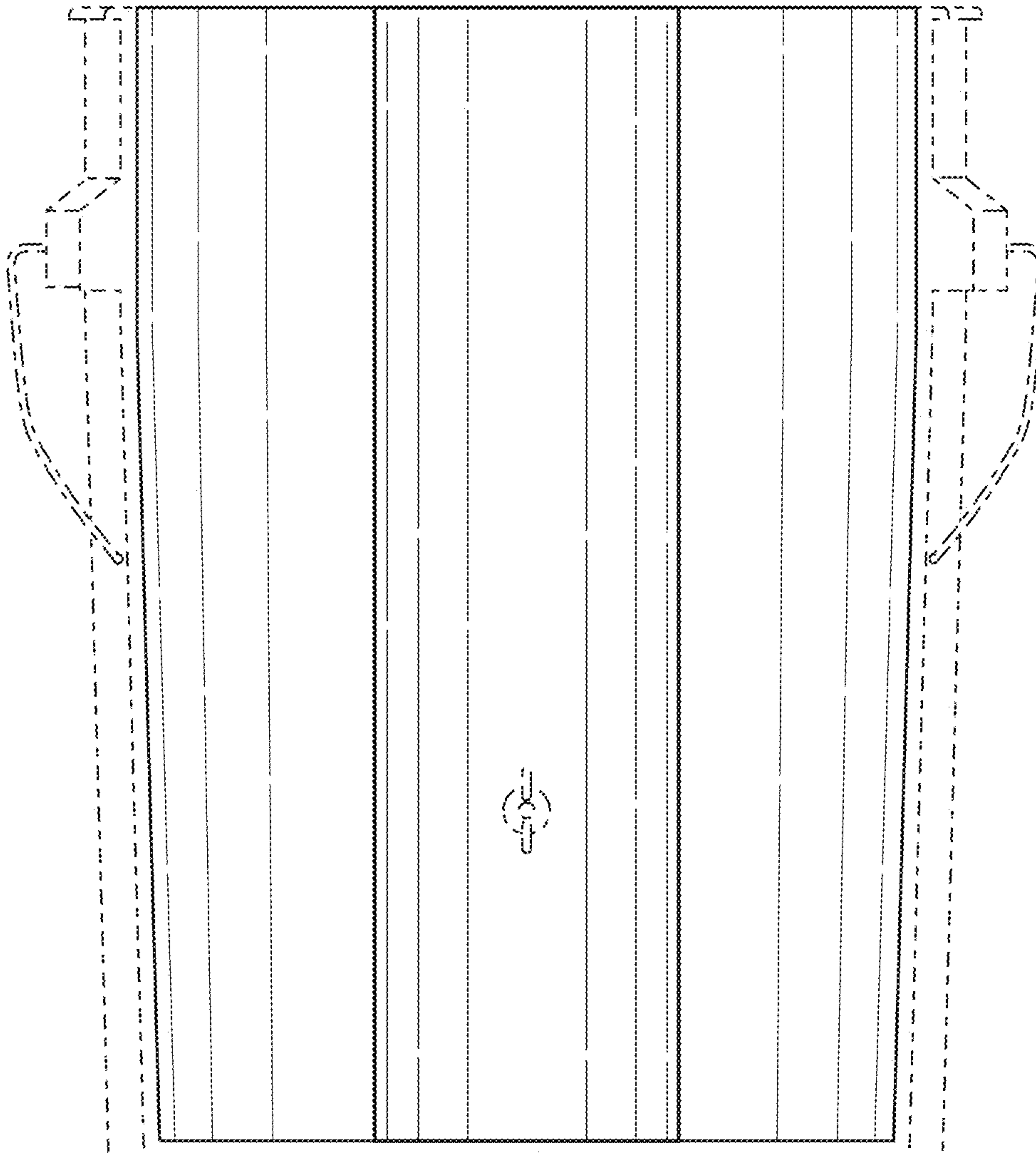


FIG. 6

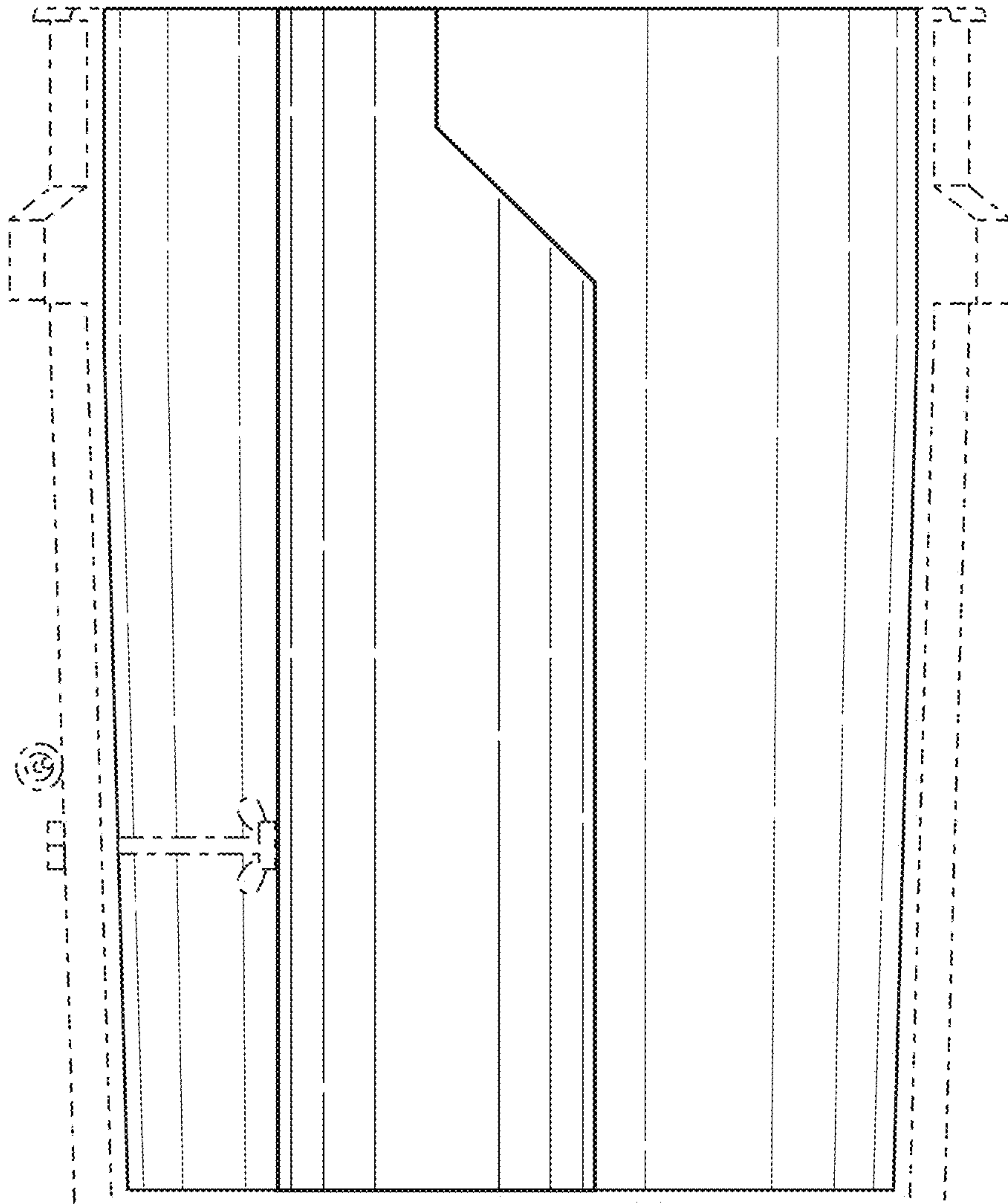


FIG. 7

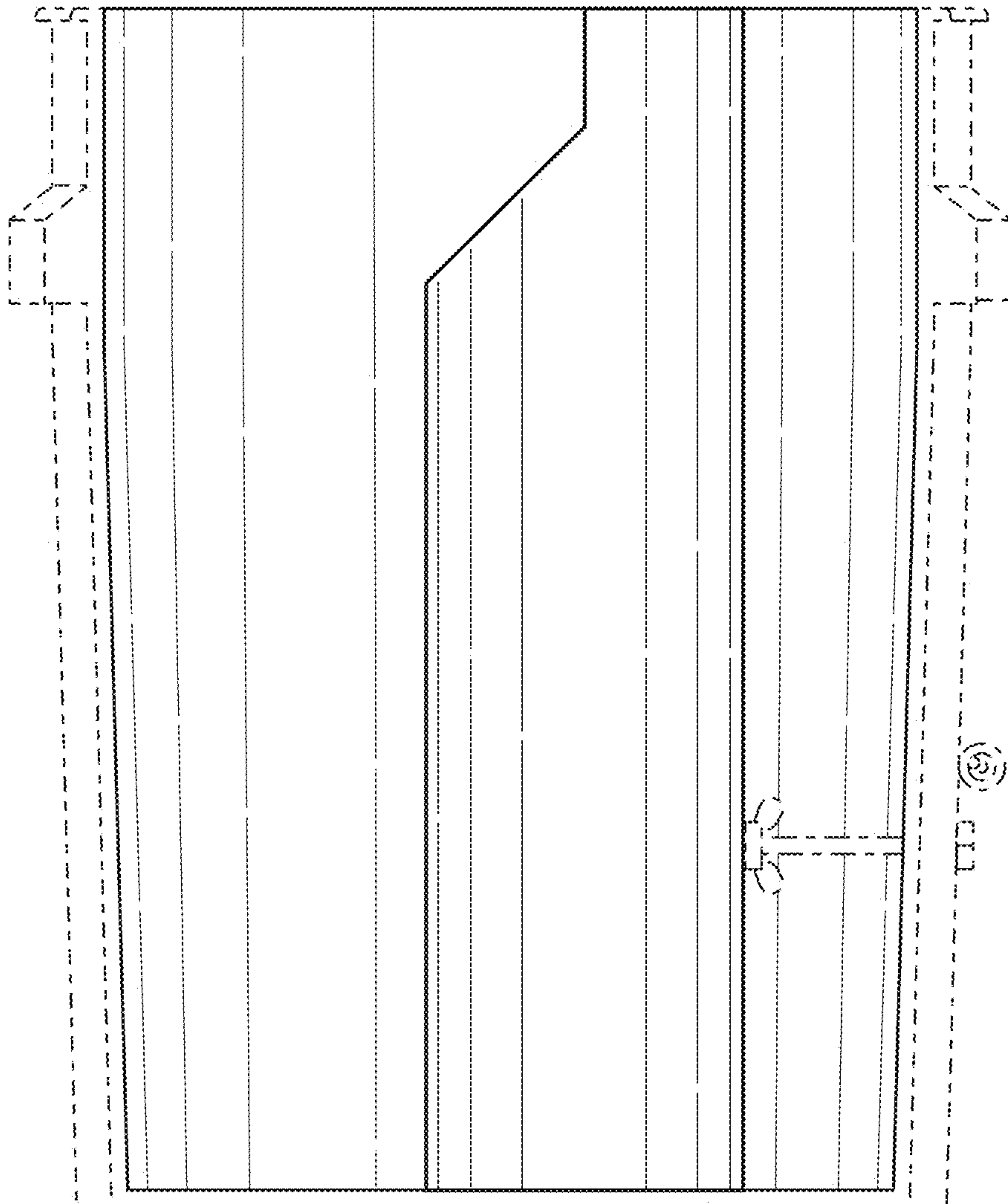


FIG. 8

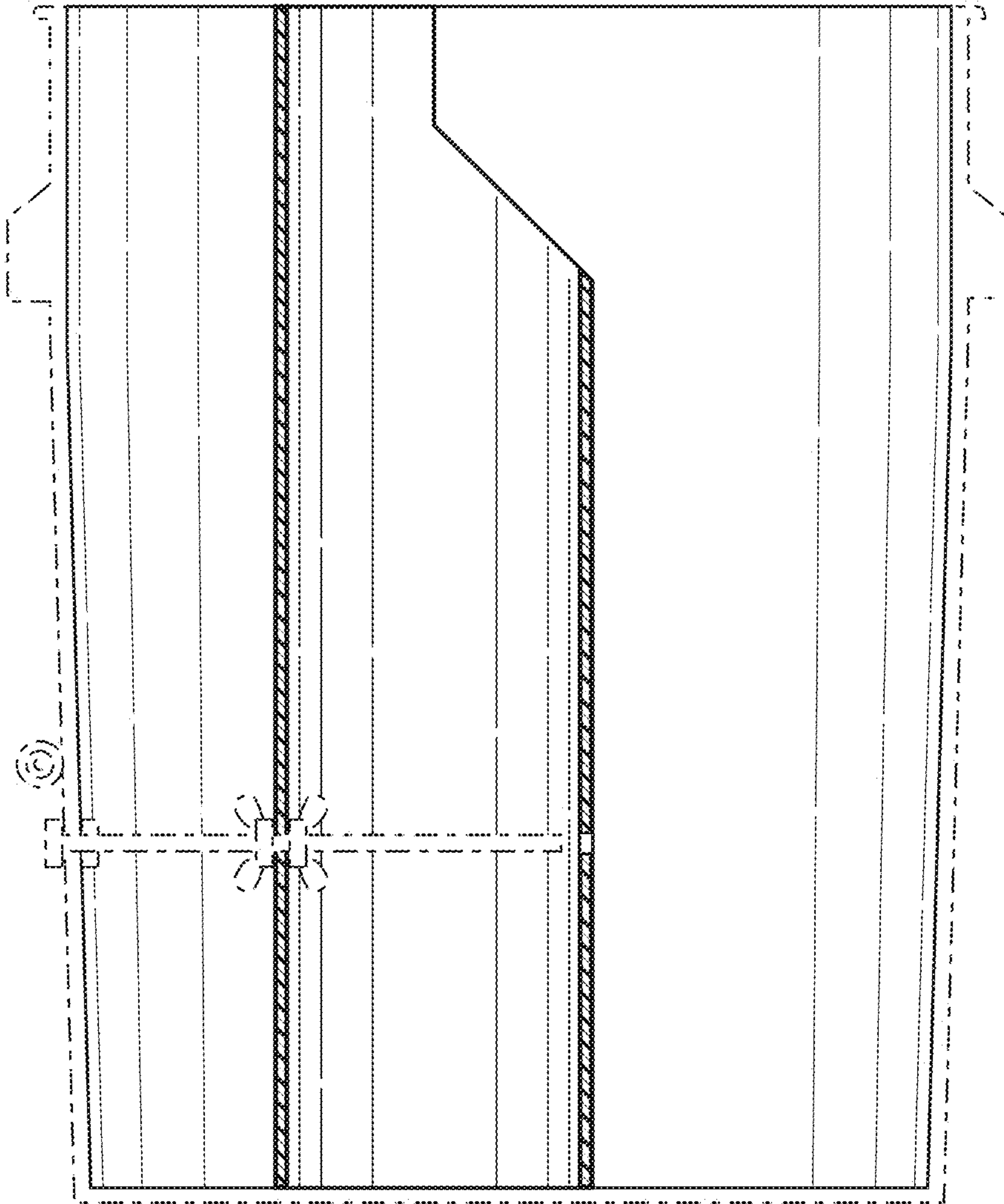


FIG. 9

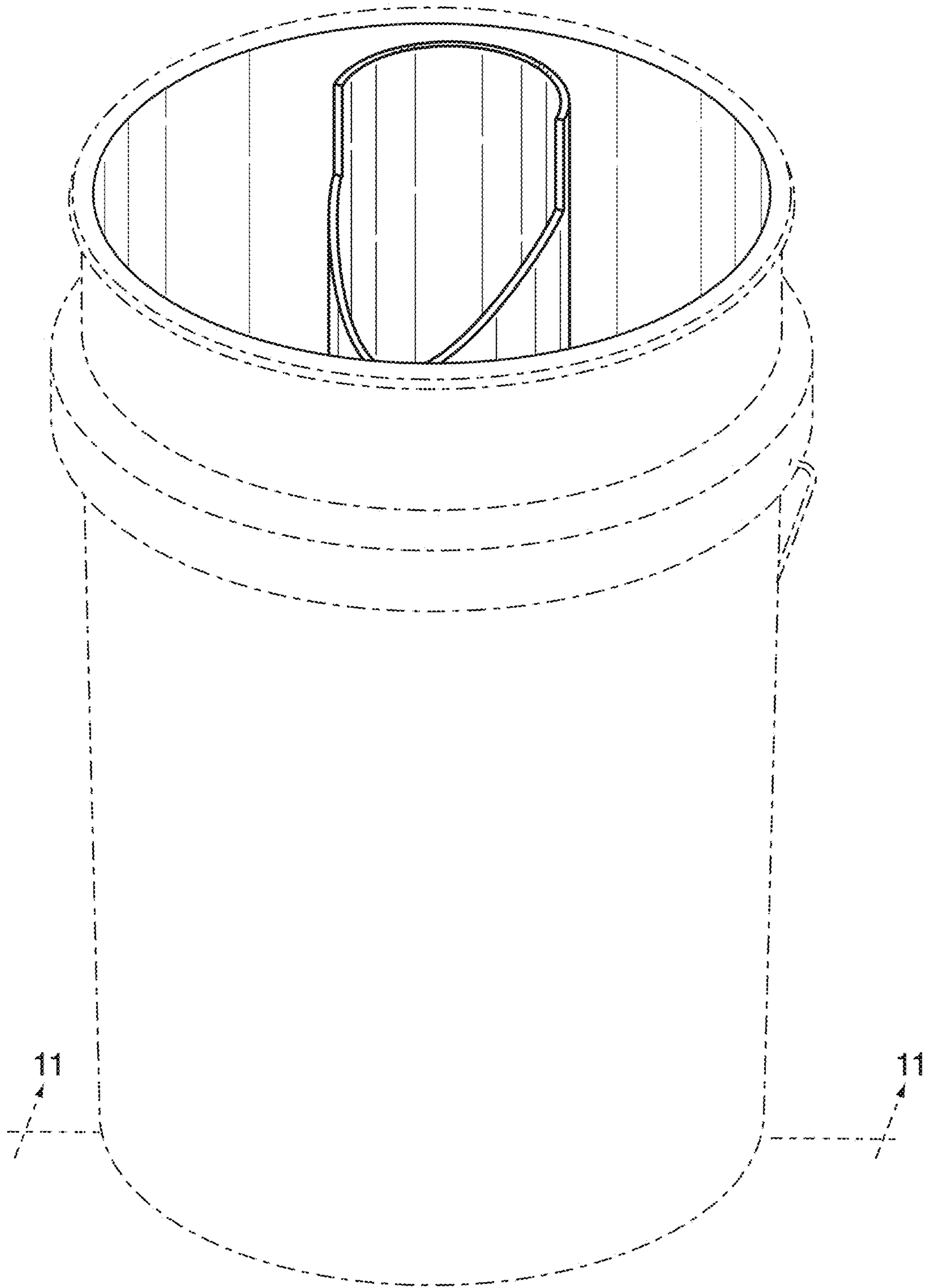


FIG. 10

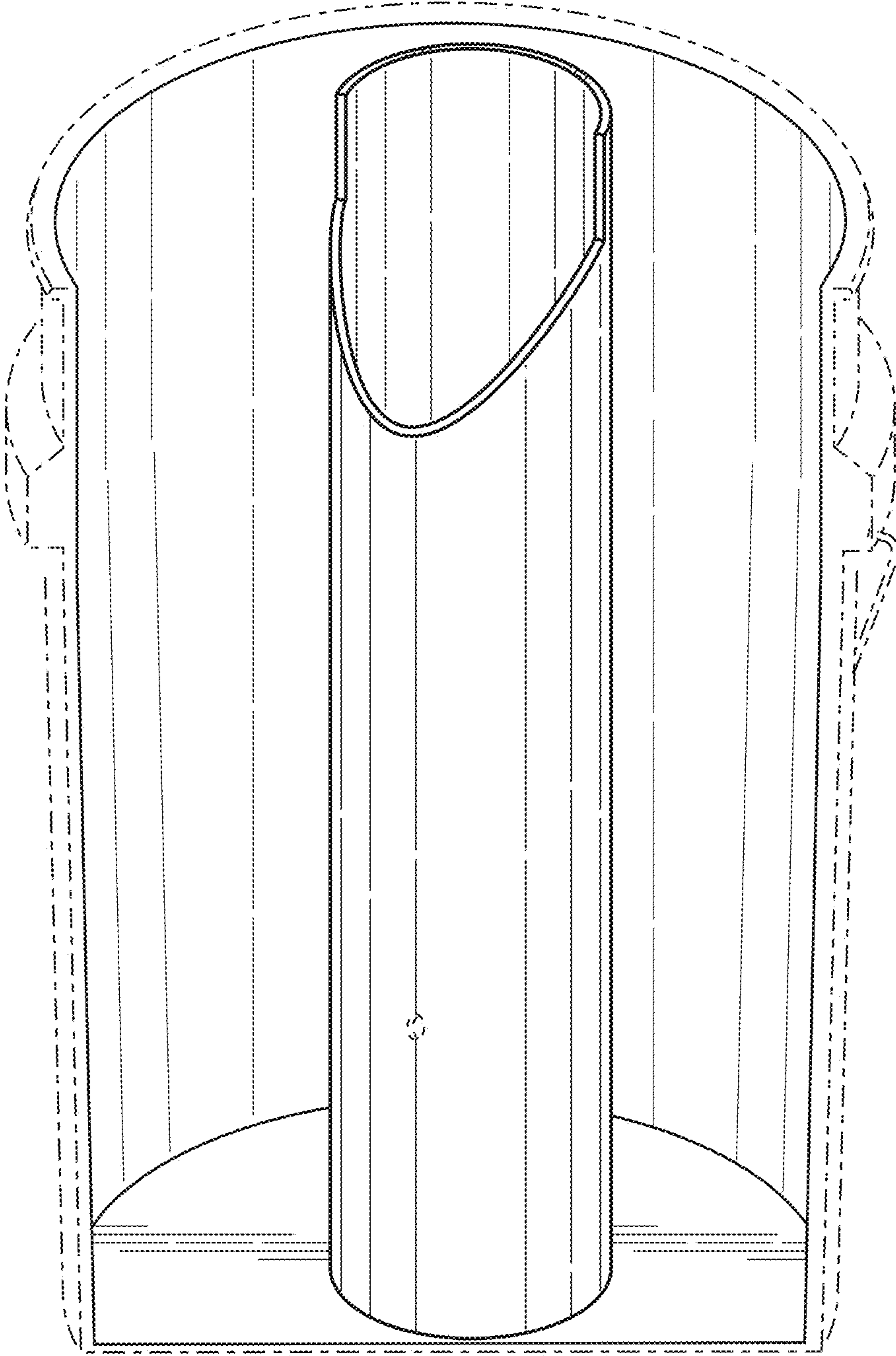


FIG. 11

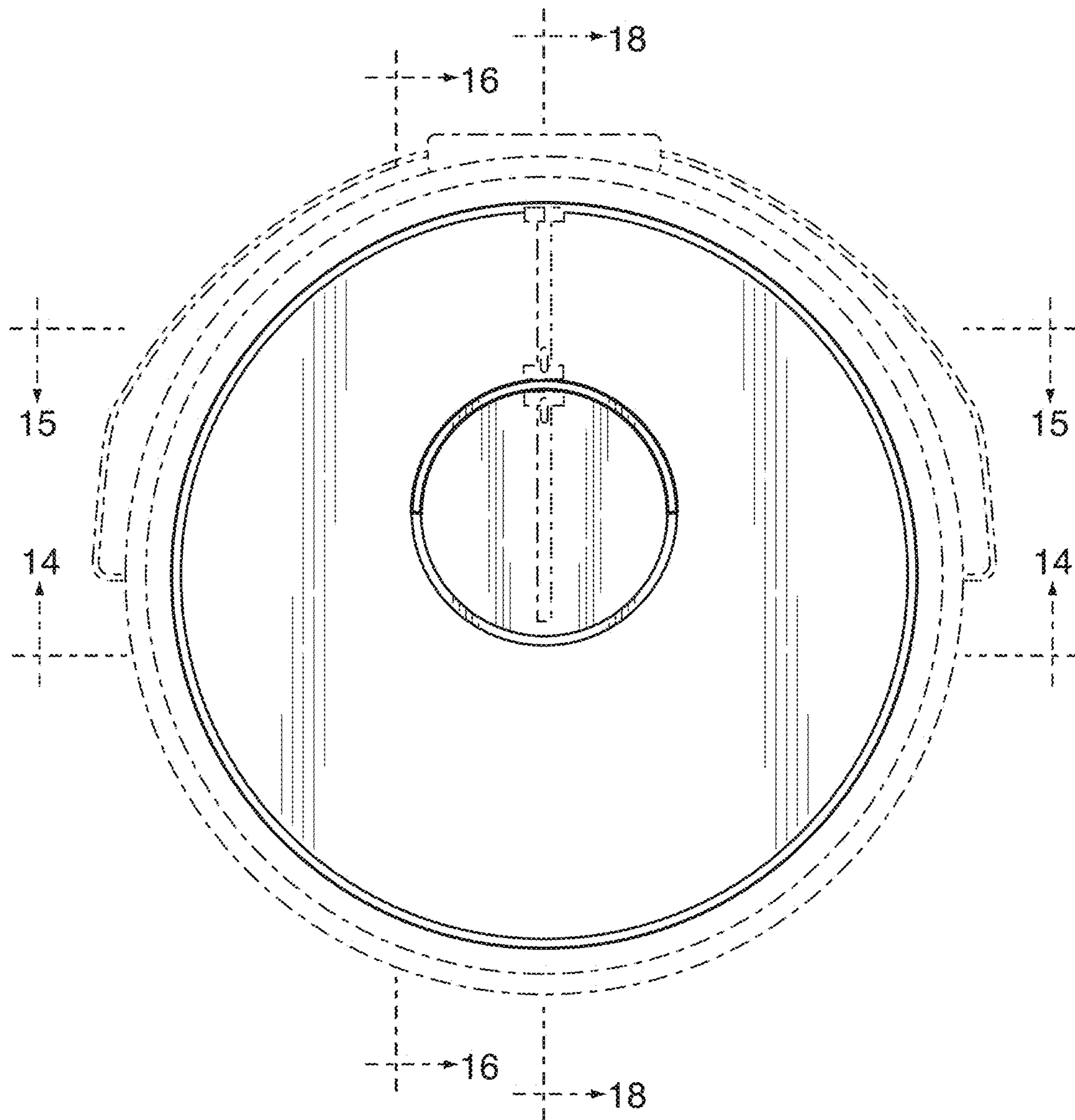


FIG. 12

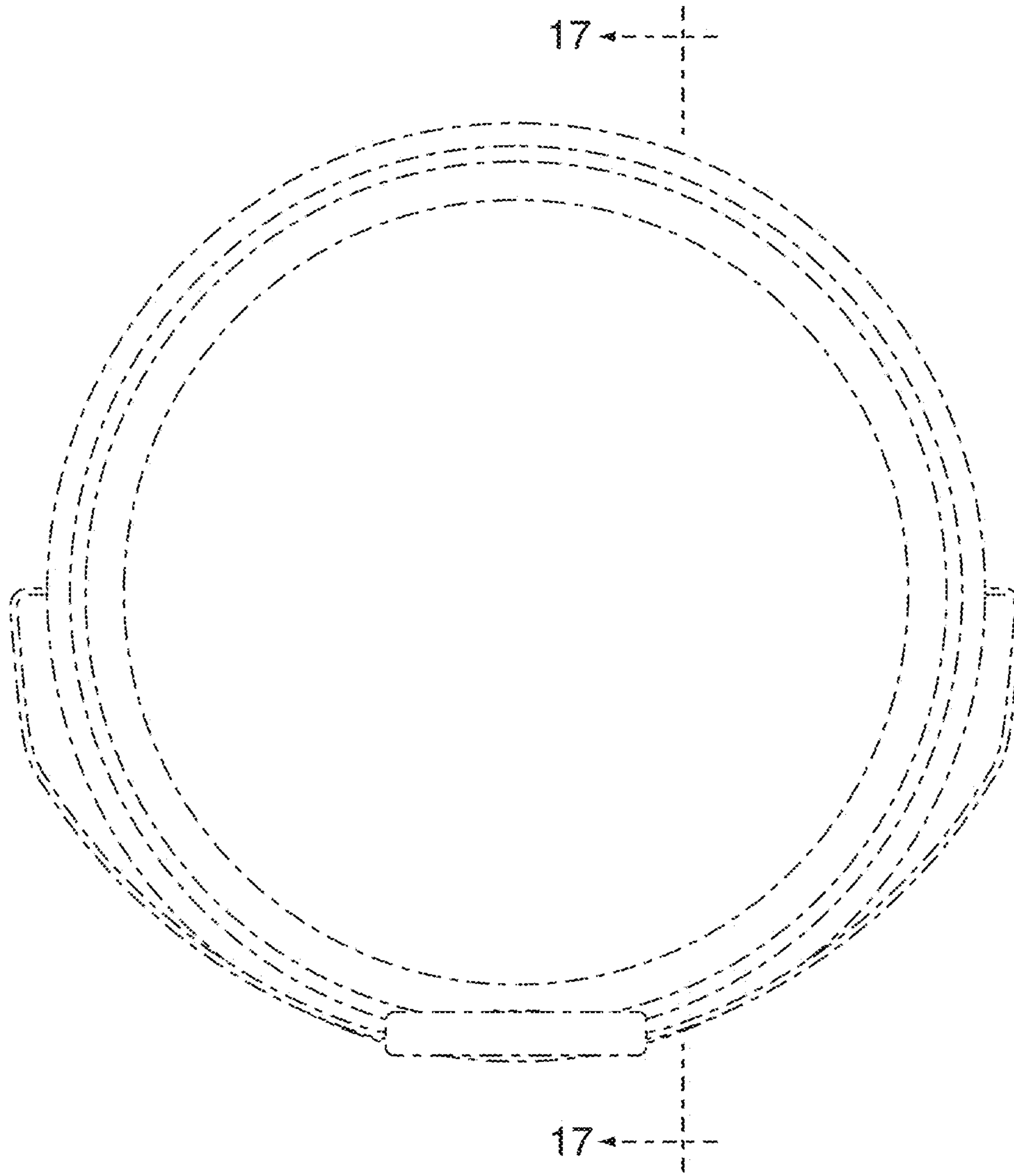


FIG. 13

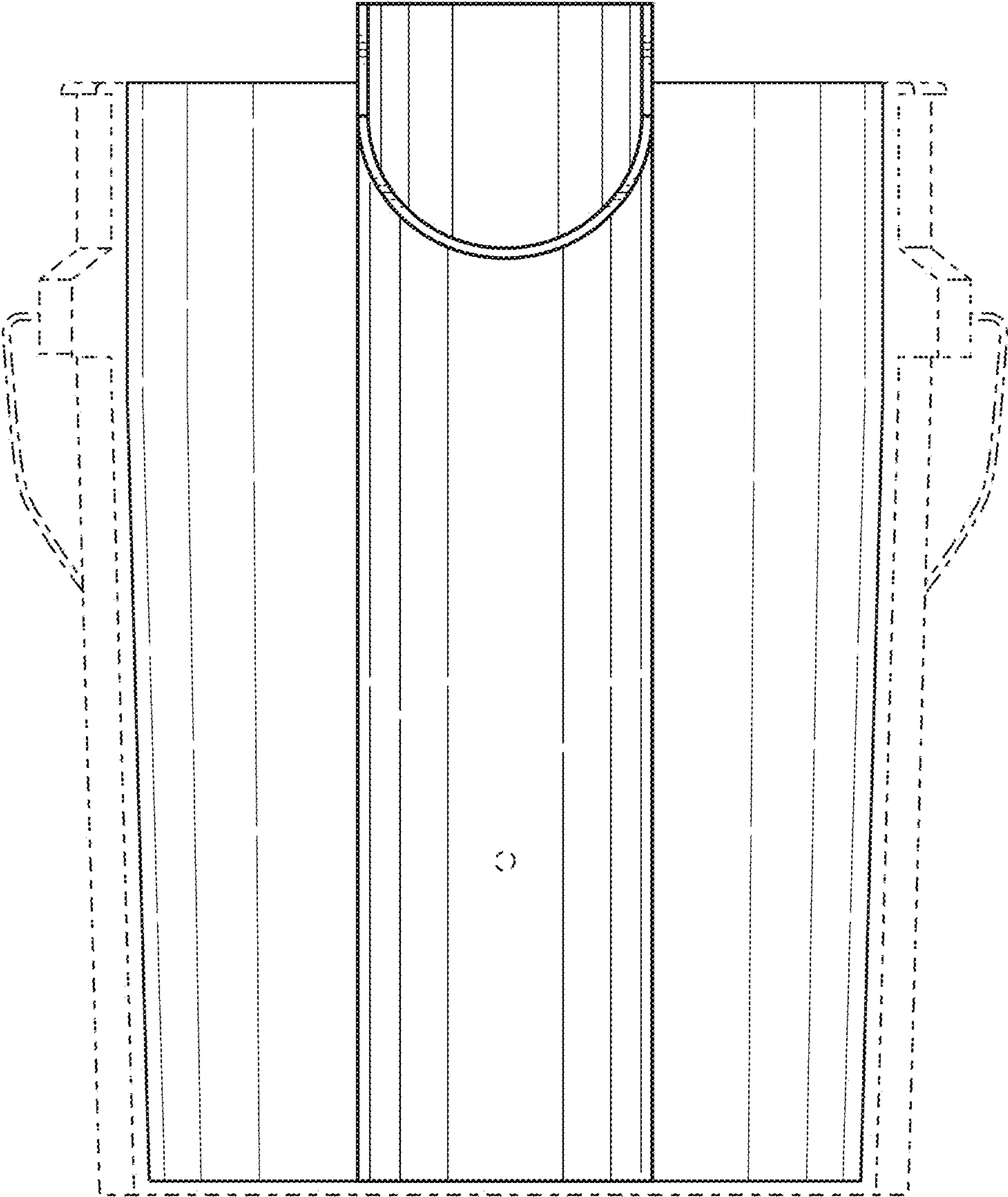


FIG. 14

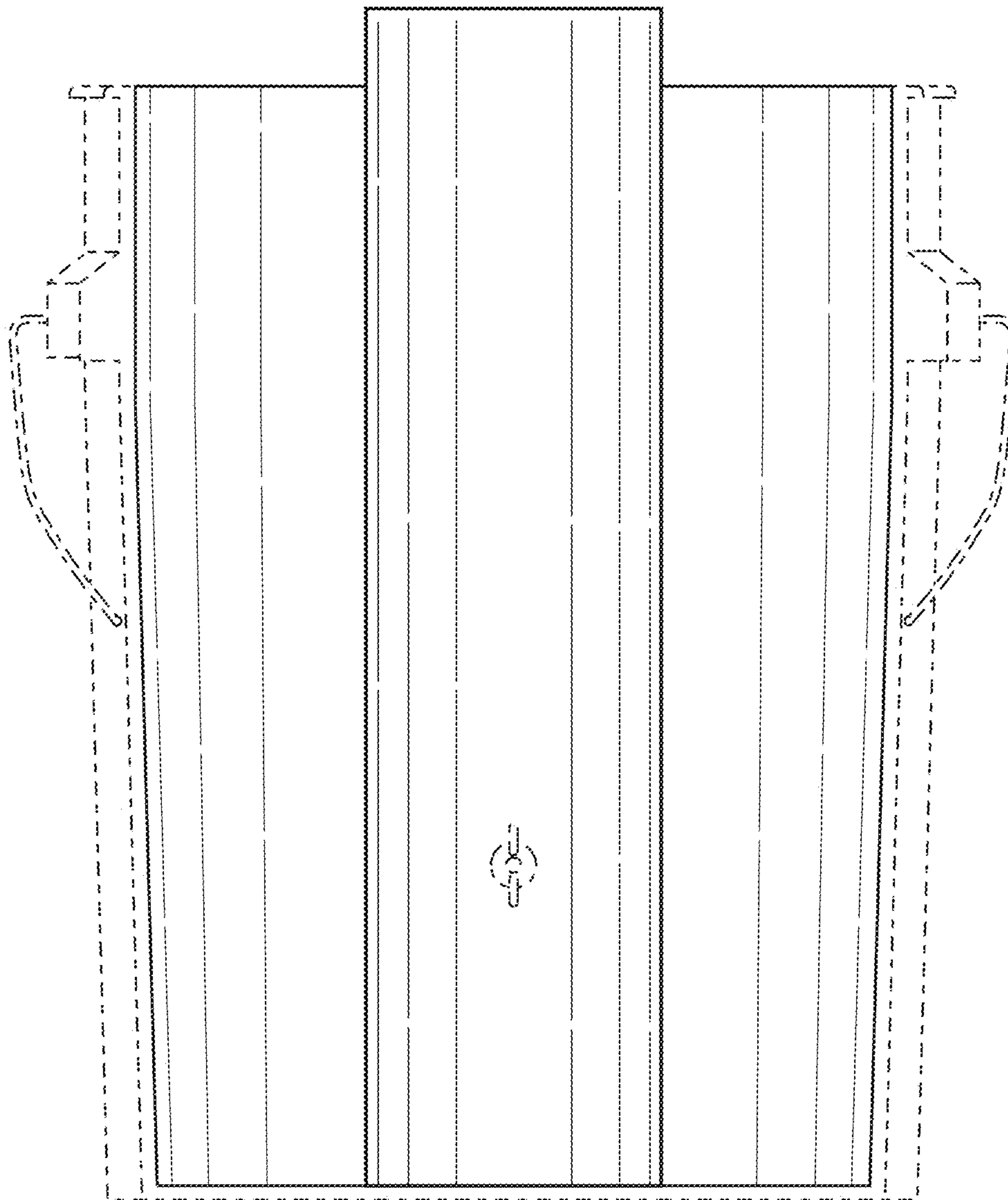


FIG. 15

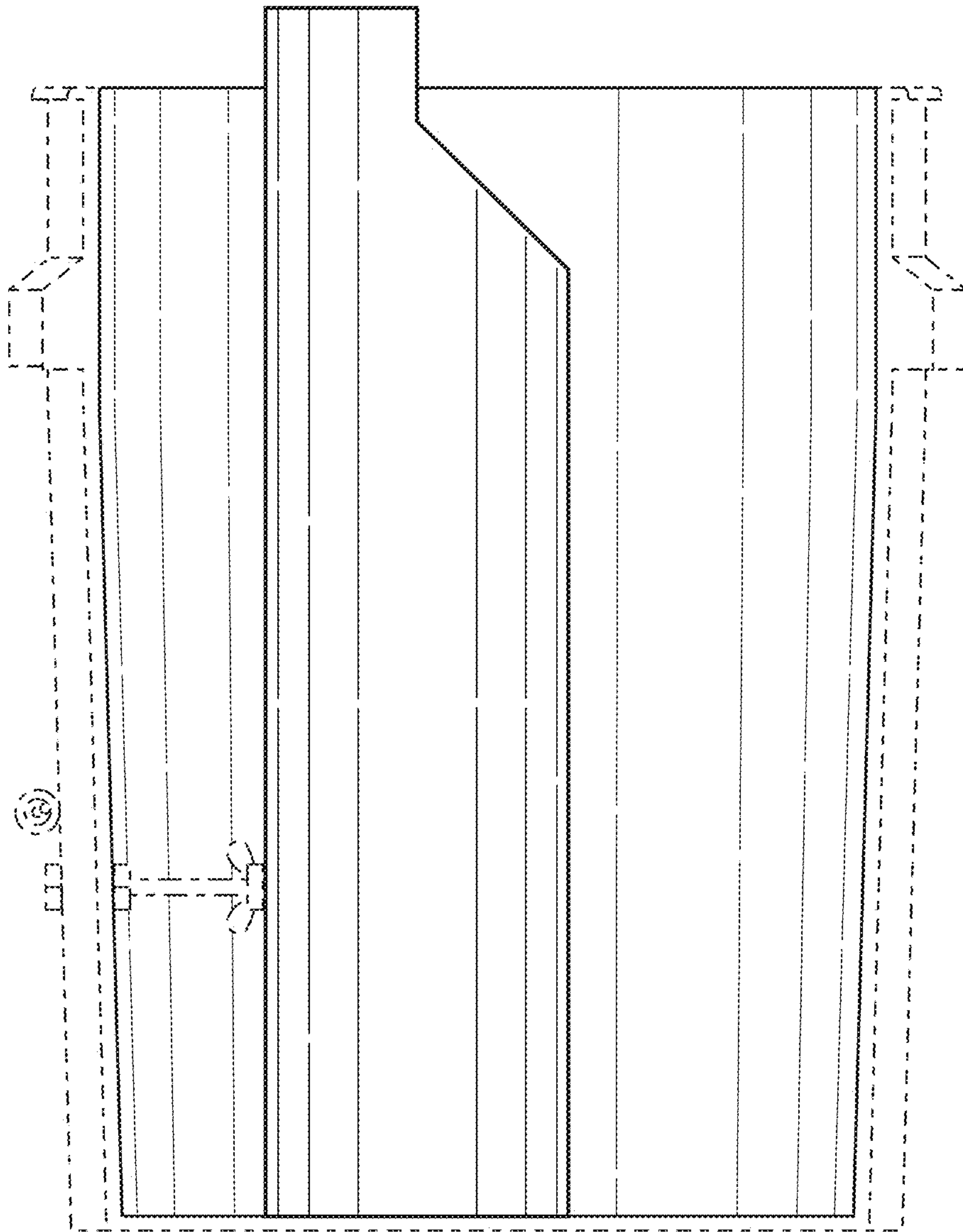


FIG. 16

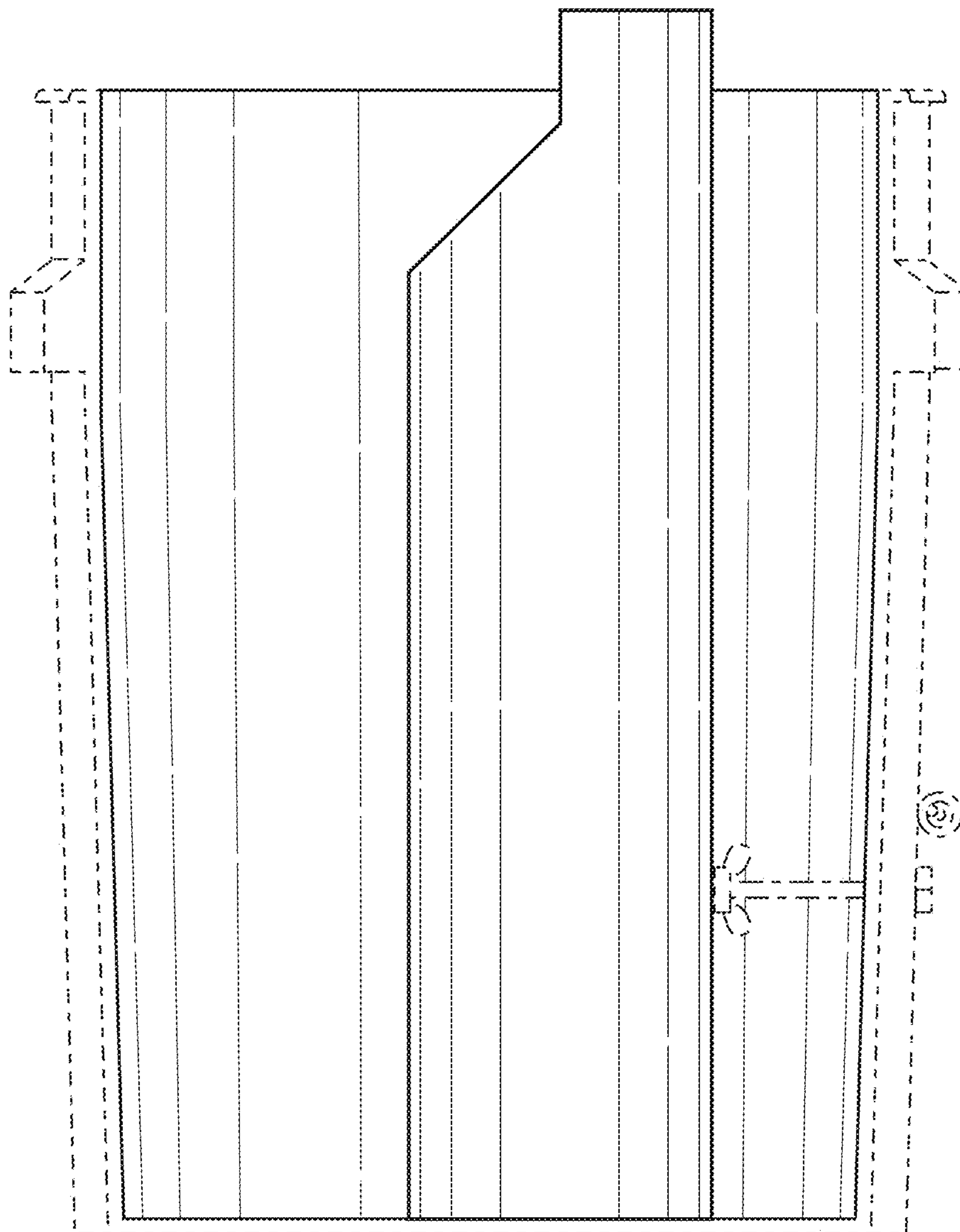


FIG. 17

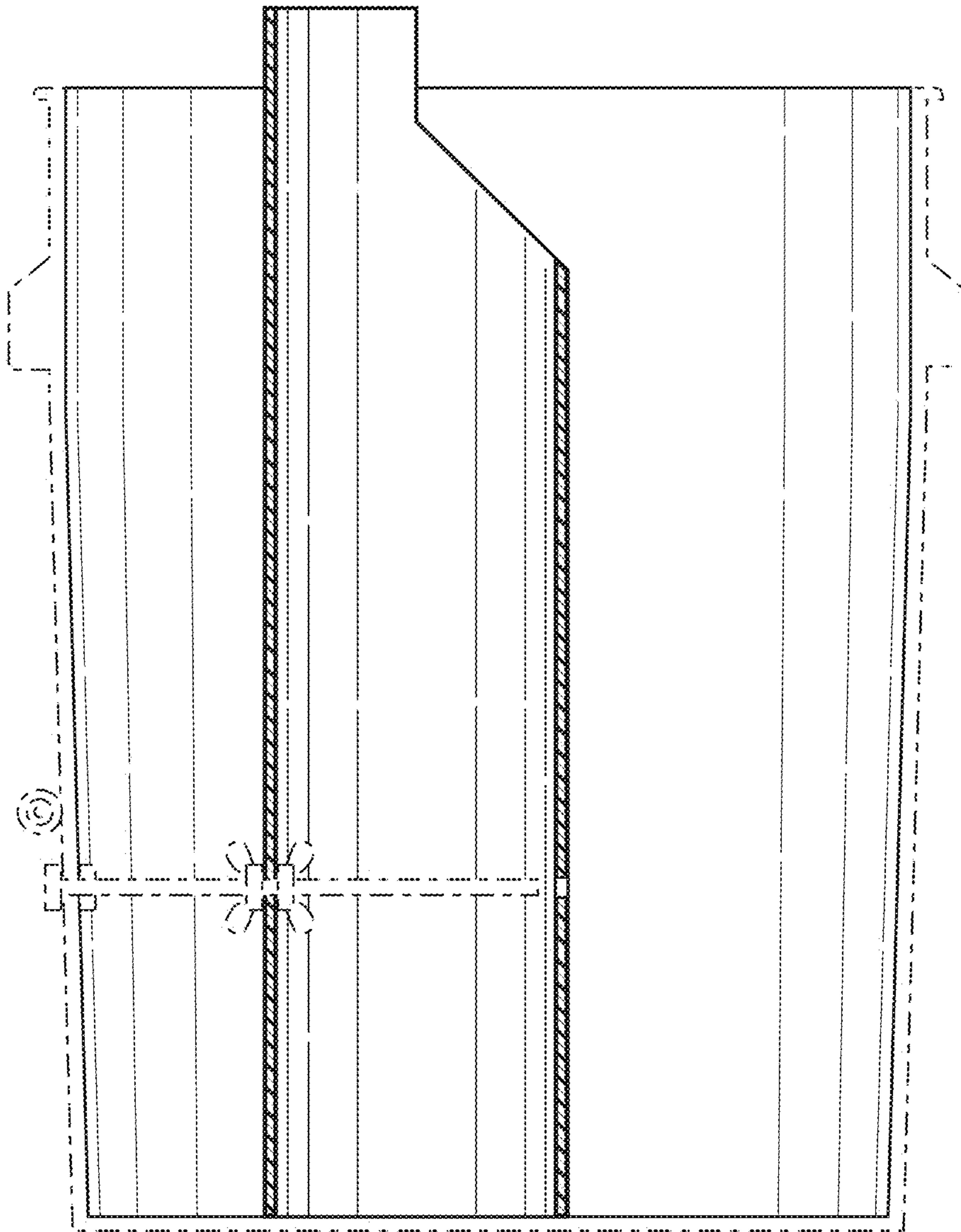


FIG. 18

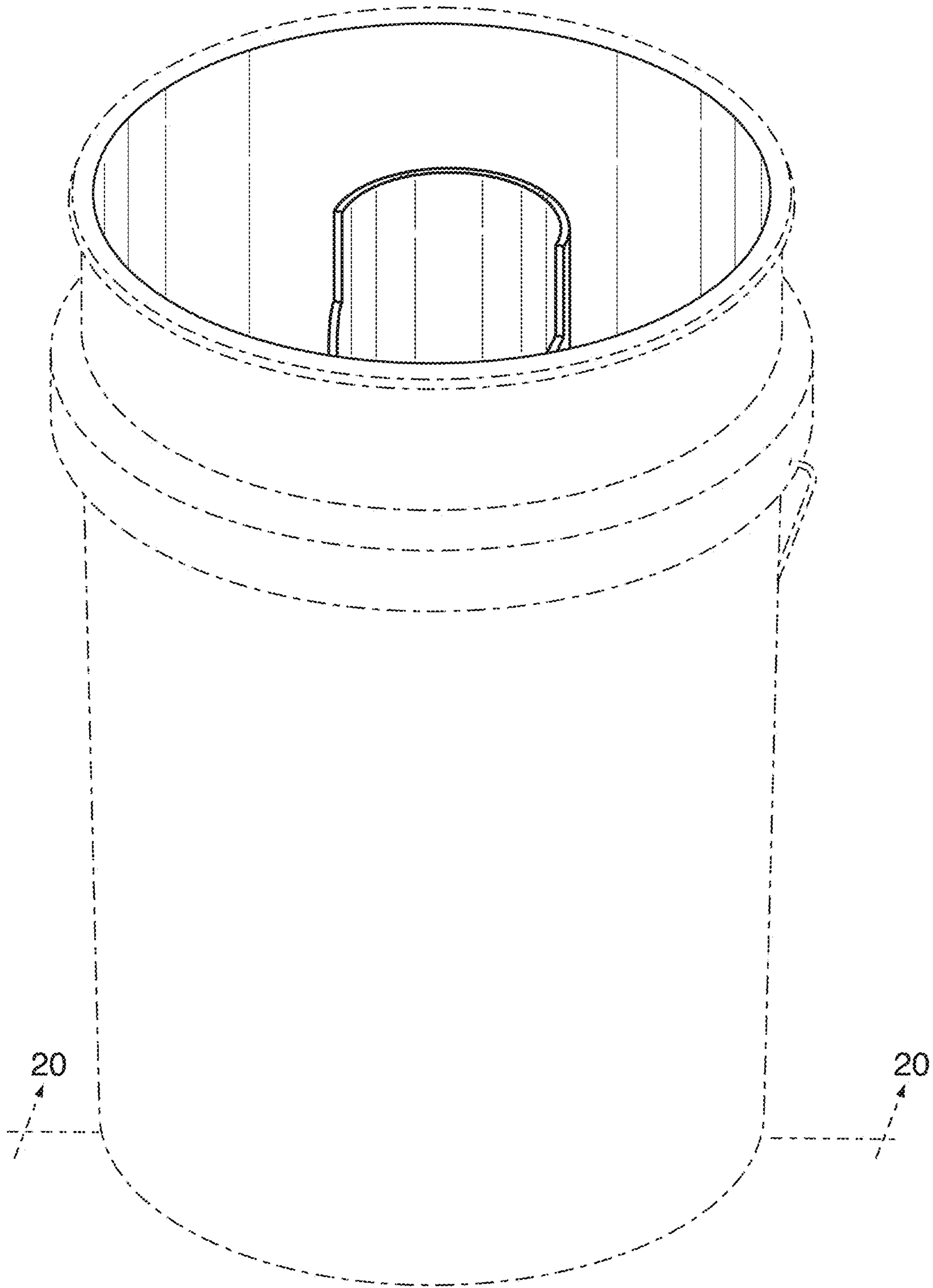


FIG. 19

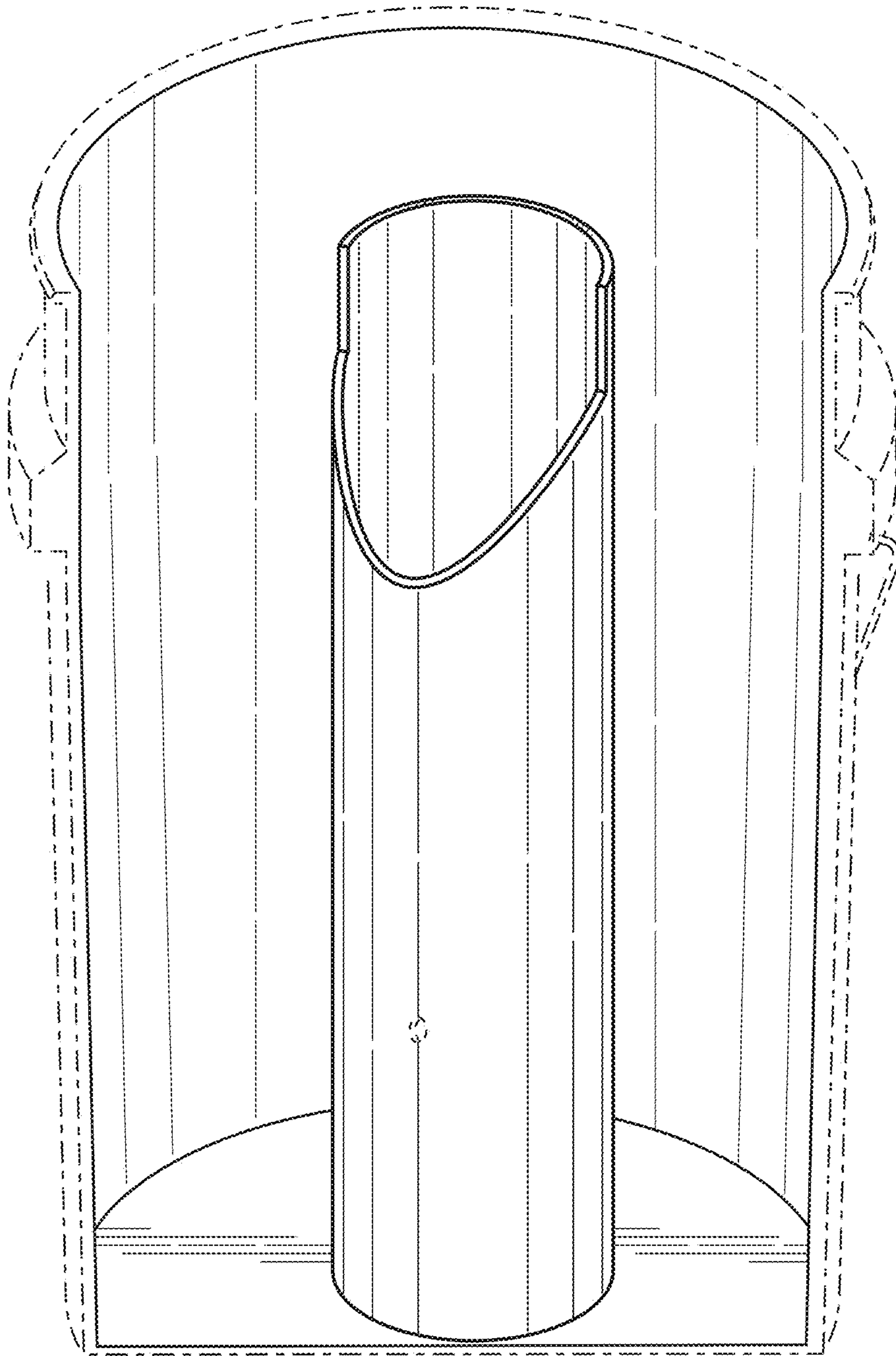


FIG. 20

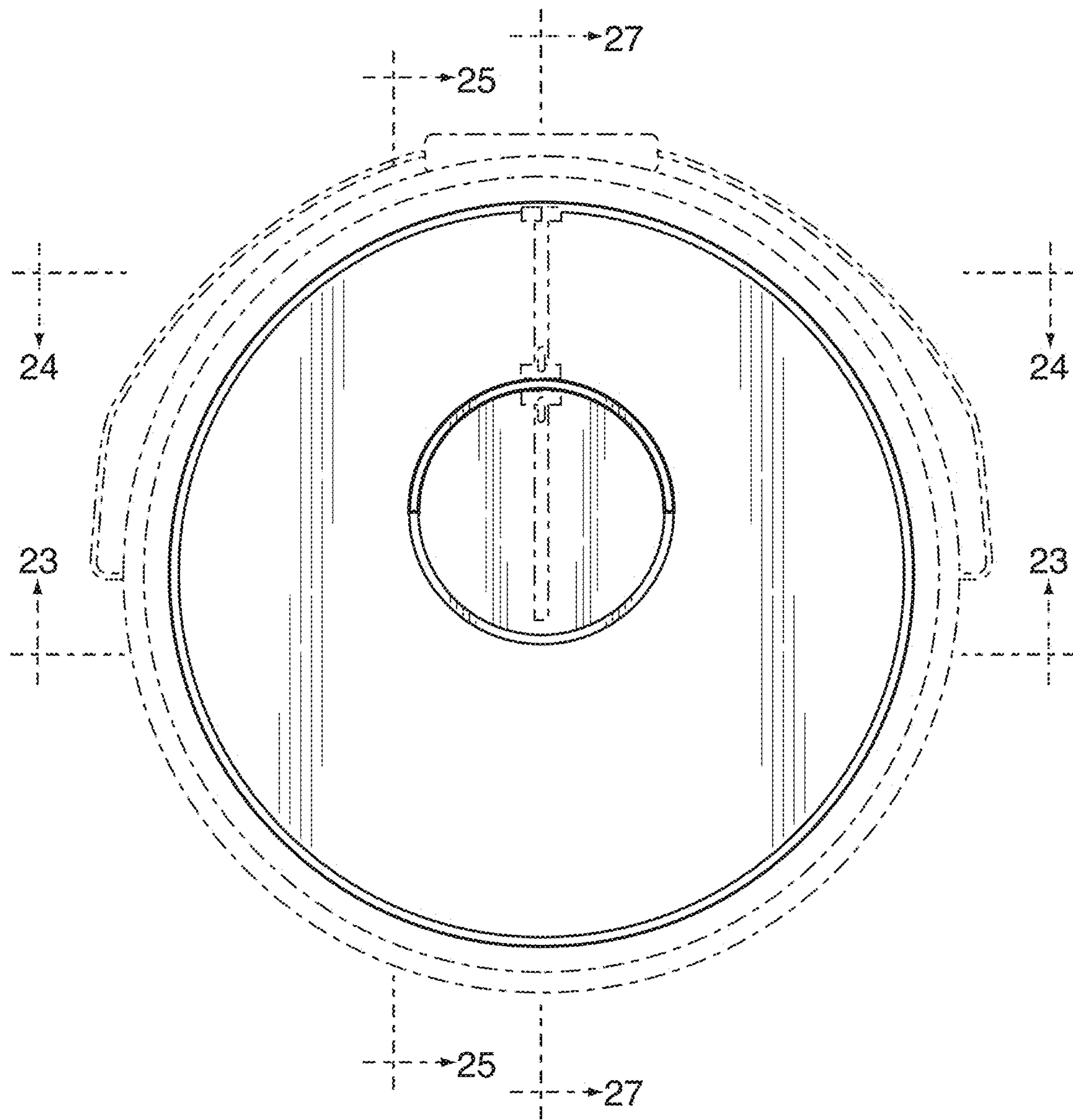


FIG. 21

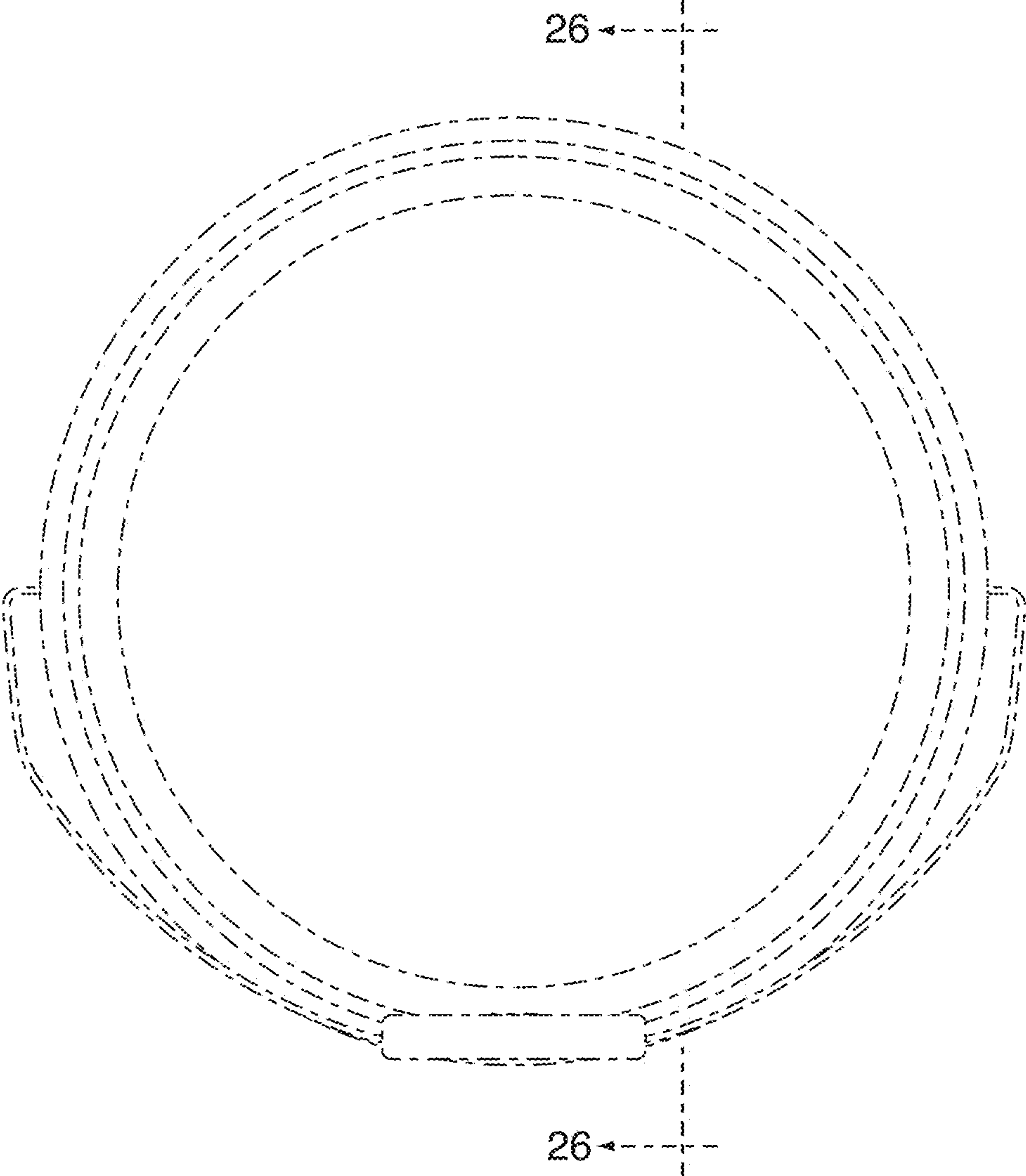


FIG. 22

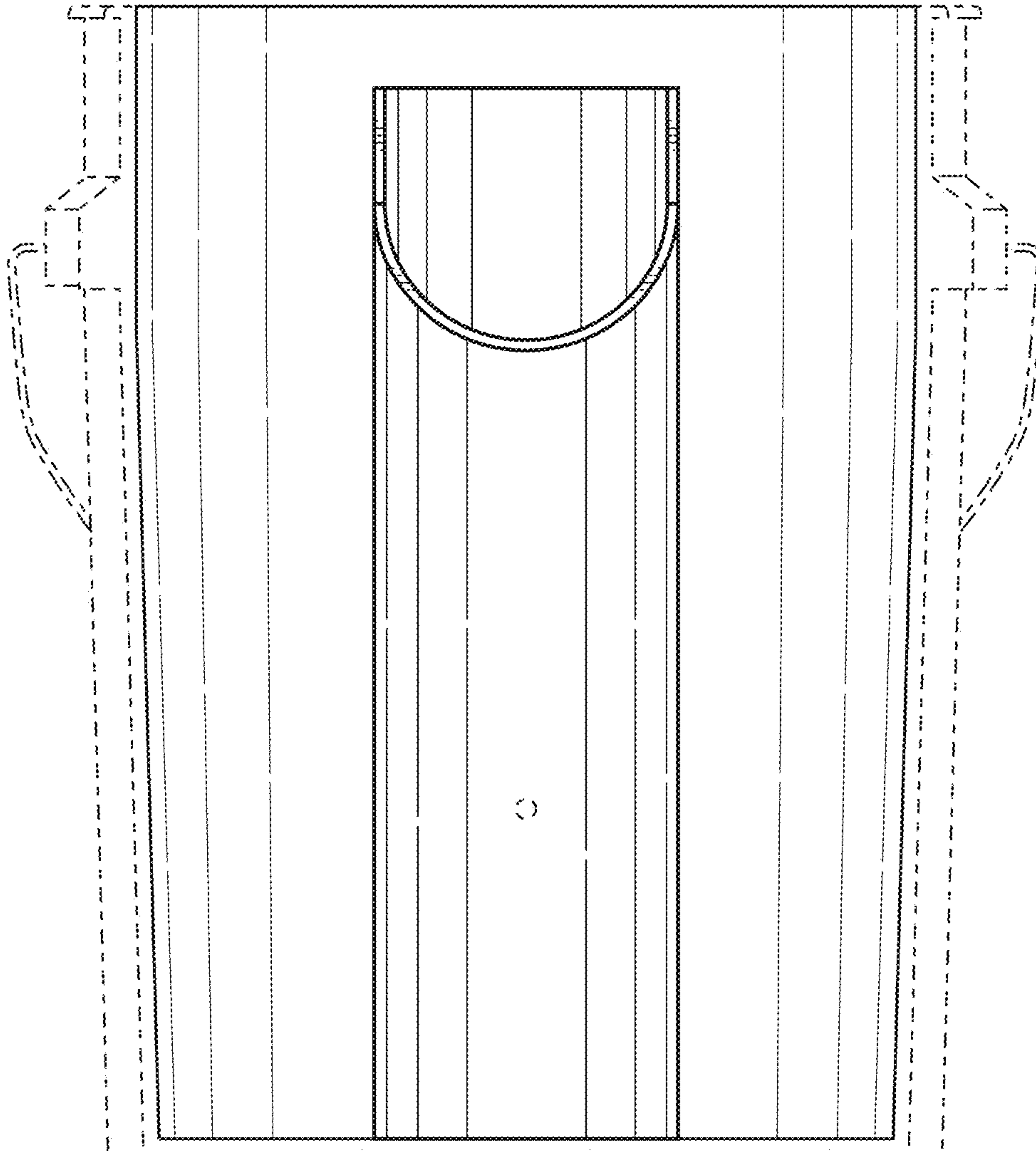


FIG. 23

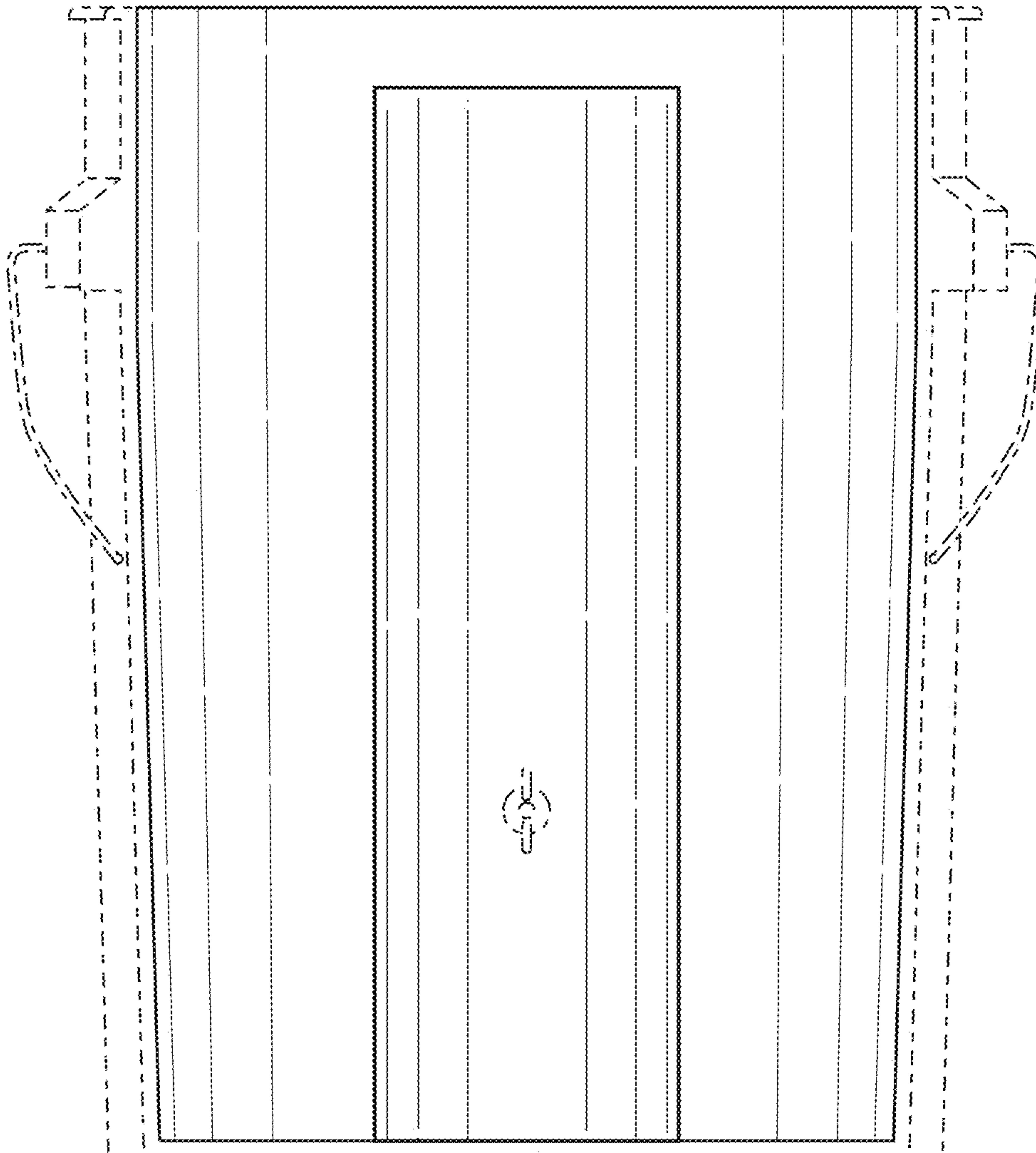


FIG. 24

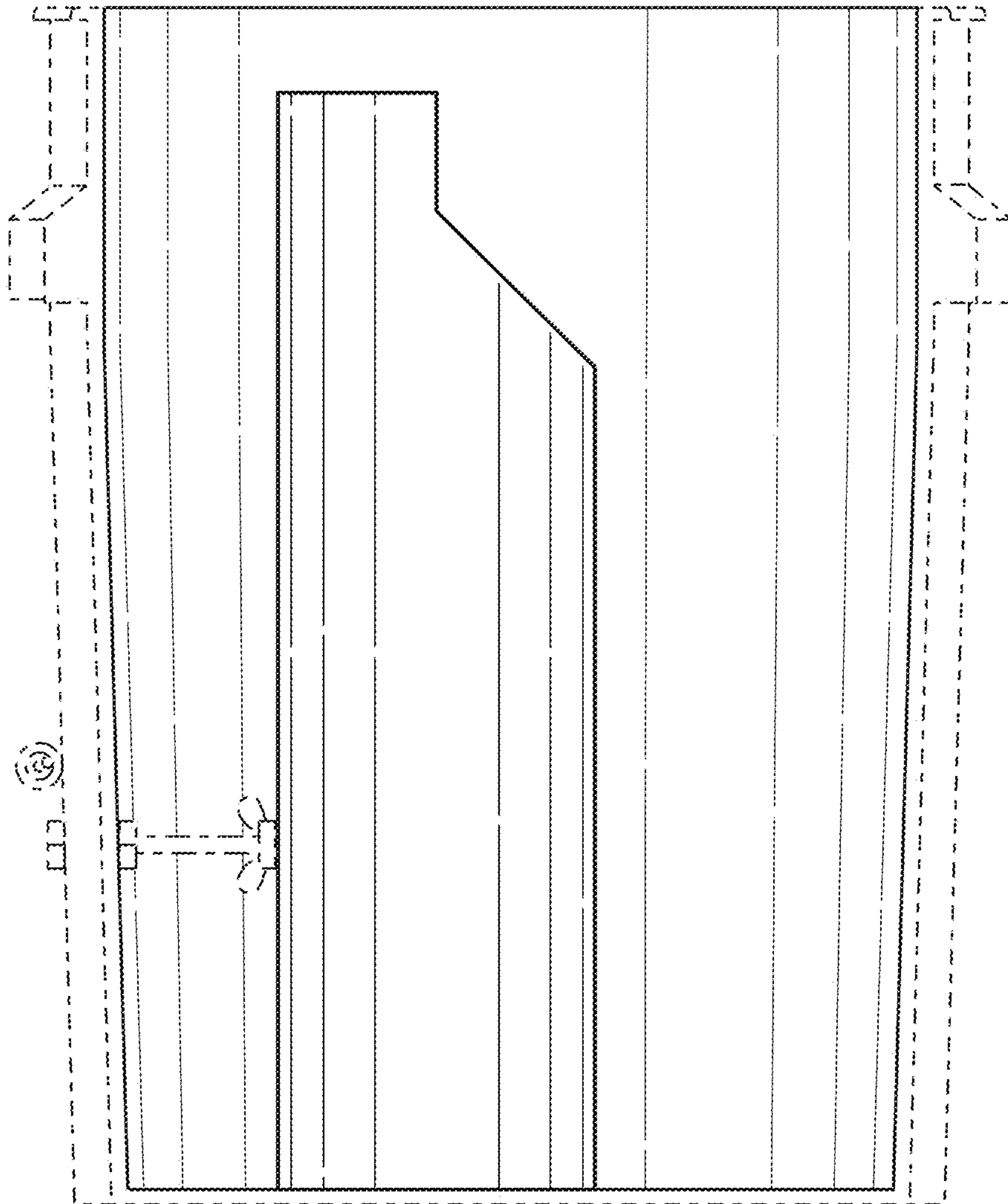


FIG. 25

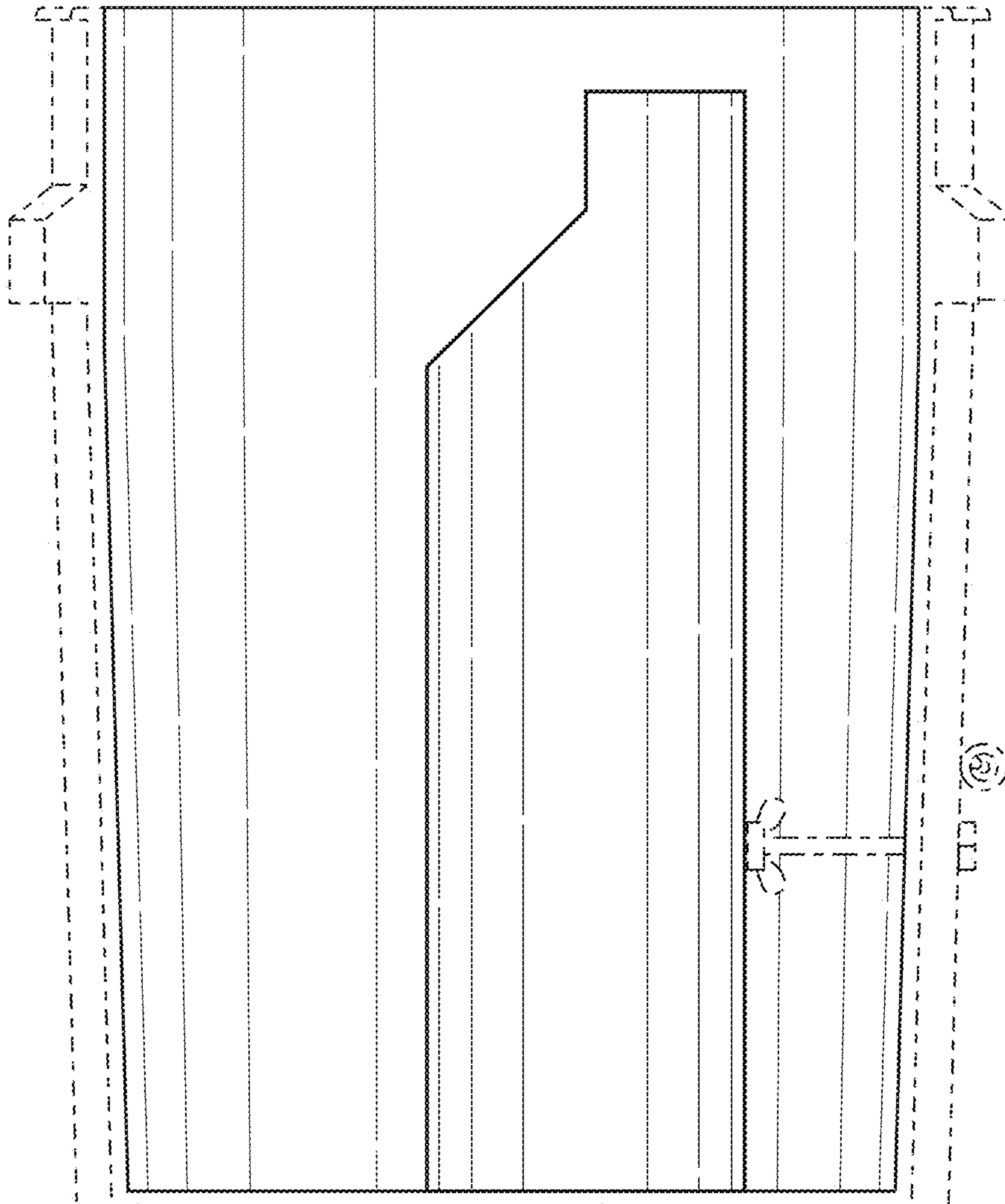


FIG. 26

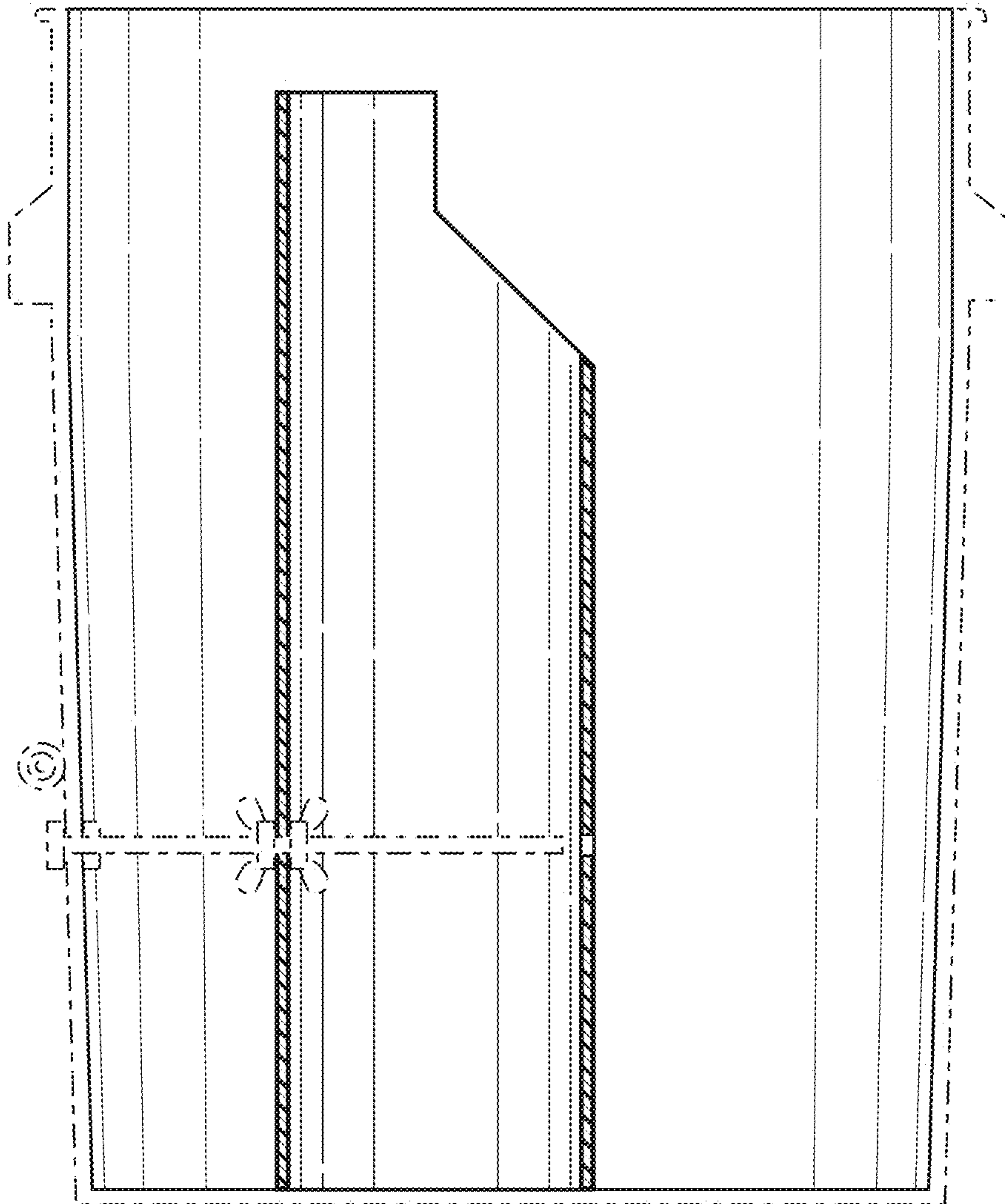


FIG. 27