



US00D900229S

(12) **United States Design Patent** (10) **Patent No.:** **US D900,229 S**
Bussey (45) **Date of Patent:** **** Oct. 27, 2020**

(54) **INTER-GAMING MACHINE FILLER FOR A POLYGONAL BANK OF GAMING MACHINES**

(71) Applicant: **Everi Games, Inc.**, Austin, TX (US)

(72) Inventor: **Travis Bussey**, Austin, TX (US)

(73) Assignee: **Everi Games, Inc.**, Austin, TX (US)

(**) Term: **15 Years**

(21) Appl. No.: **29/729,544**

(22) Filed: **Mar. 27, 2020**

Related U.S. Application Data

(63) Continuation of application No. 29/618,475, filed on Sep. 21, 2017, now Pat. No. Des. 880,605.

(51) **LOC (12) Cl.** **21-03**

(52) **U.S. Cl.**
USPC **D21/369**

(58) **Field of Classification Search**

USPC D21/369, 370, 371, 385, 329, 325, 394, D21/327, 331; D14/307, 172, 129, 325, D14/401, 371, 126, 439, 432, 450, 128, D14/375, 248, 374, 341, 138 G, 127, 240, D14/137, 344, 480, 214, 125; 463/28, 463/13, 11, 16, 20, 25, 31, 46, 23, 30, 17, 463/36, 29, 42, 34, 32, 35, 19, 21, 22; 273/292, 203, 138.2, 143 R, 142 R, 138.1, 273/143, 142; D19/60; D16/226; D8/335, 331, 334; D26/141; D7/641; D99/28

CPC G07F 17/32; G07F 17/34; G07F 17/3211; G07F 17/3244; G07F 17/3267; G07F 17/3202; A63F 13/12

See application file for complete search history.

(56) **References Cited**

U.S. PATENT DOCUMENTS

D397,161 S * 8/1998 Hanscom D21/369
5,857,910 A * 1/1999 Watanabe A63F 3/081
273/138.2
D415,211 S * 10/1999 Yamaguchi D21/327
D439,282 S * 3/2001 Yamaguchi D21/329

(Continued)

Primary Examiner — Ryan Harvey

(74) *Attorney, Agent, or Firm* — Russell D. Culbertson;
The Culbertson Group, P.C.

(57) **CLAIM**

The ornamental design for an inter-gaming machine filler for a polygonal bank of gaming machines, as shown and described.

DESCRIPTION

FIG. 1 is a perspective view from above of a polygonal bank of gaming machines with an inter-gaming machine filler showing the new design.

FIG. 2 is a front elevational view of the polygonal bank of gaming machines and inter-gaming machine filler shown in FIG. 1.

FIG. 3 is an elevational view of the polygonal bank of gaming machines and inter-gaming machine filler shown in FIG. 1, but rotated approximately 90 degrees to the left relative to the view of FIG. 2.

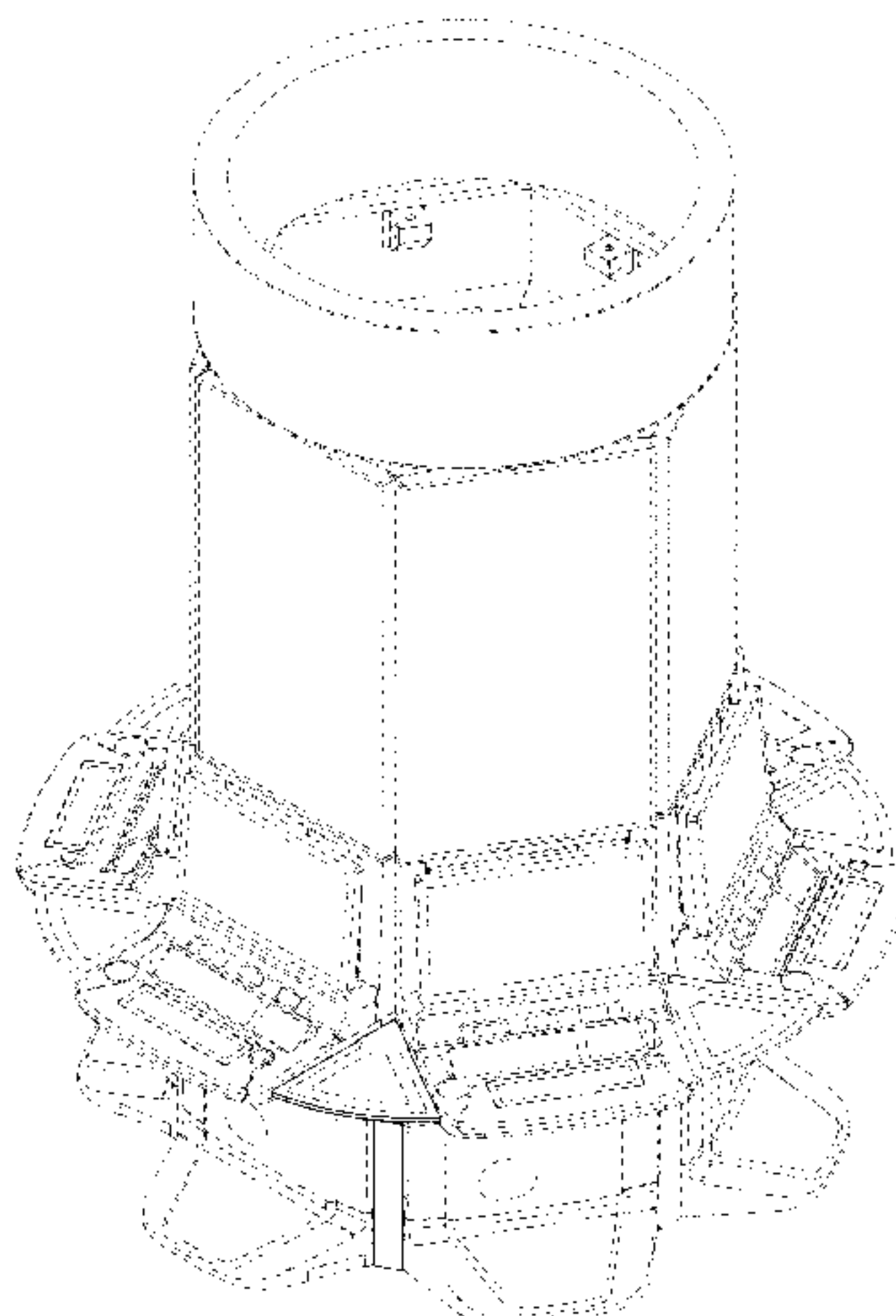
FIG. 4 is an elevational view of the polygonal bank of gaming machines and inter-gaming machine filler shown in FIG. 1, but rotated approximately 30 degrees to the left relative to the view of FIG. 2.

FIG. 5 is a top plan view of the polygonal bank of gaming machines and inter-gaming machine filler shown in FIG. 1; and,

FIG. 6 is a bottom plan view of the polygonal bank of gaming machines and inter-gaming machine filler shown in FIG. 1.

The polygonal bank of gaming machines and the topper structure shown in broken lines depict environment and form no part of the claim.

1 Claim, 6 Drawing Sheets



(56)

References Cited

U.S. PATENT DOCUMENTS

D456,645	S *	5/2002	Iverson	D6/693.1
D577,077	S *	9/2008	Mitchell	D21/370
D597,144	S *	7/2009	Myers	D21/370
D613,343	S *	4/2010	Inoue	D21/369
D678,653	S *	3/2013	Budde	D99/28
D690,074	S *	9/2013	Budde	D99/28
8,562,412	B2 *	10/2013	Matsuno	G07F 17/3216 463/17
D714,392	S *	9/2014	Arabian	D21/369
D729,321	S *	5/2015	Arabian	D21/369
D822,415	S *	7/2018	Hendifar	D6/693
10,019,873	B2 *	7/2018	Okuaki	G07F 17/3213
D826,338	S *	8/2018	Bussey	D21/369
D849,149	S *	5/2019	Bussey	D21/369
D849,150	S *	5/2019	Gallagher	D21/369
D850,862	S *	6/2019	Chen	D7/558
D880,605	S *	4/2020	Bussey	D21/369
2018/0082523	A1 *	3/2018	Palermo	G07F 17/3216
2019/0102974	A1 *	4/2019	Bussey	G07F 17/3211
2020/0168031	A1 *	5/2020	Legras	G07F 17/34

* cited by examiner

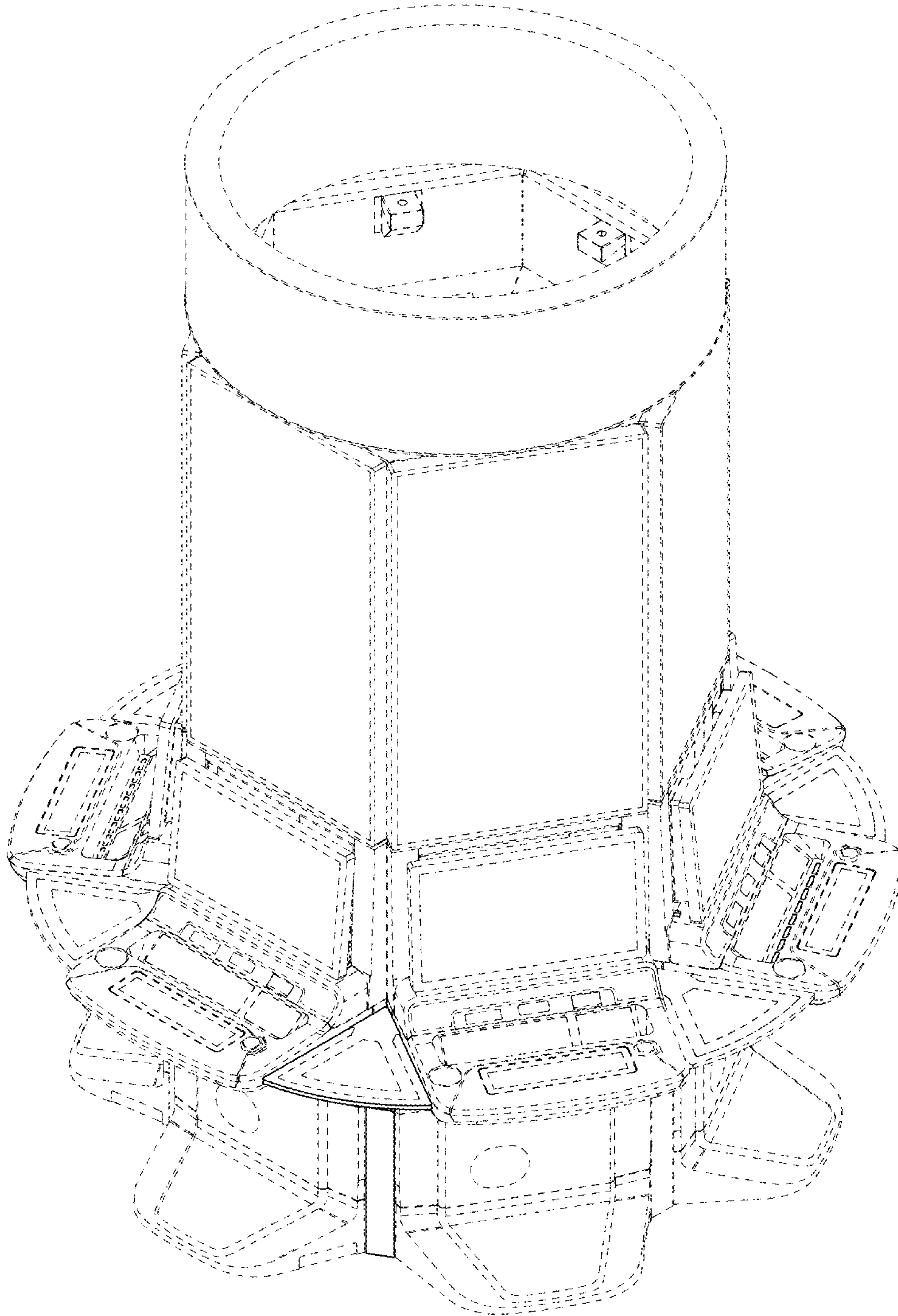


FIG. 1

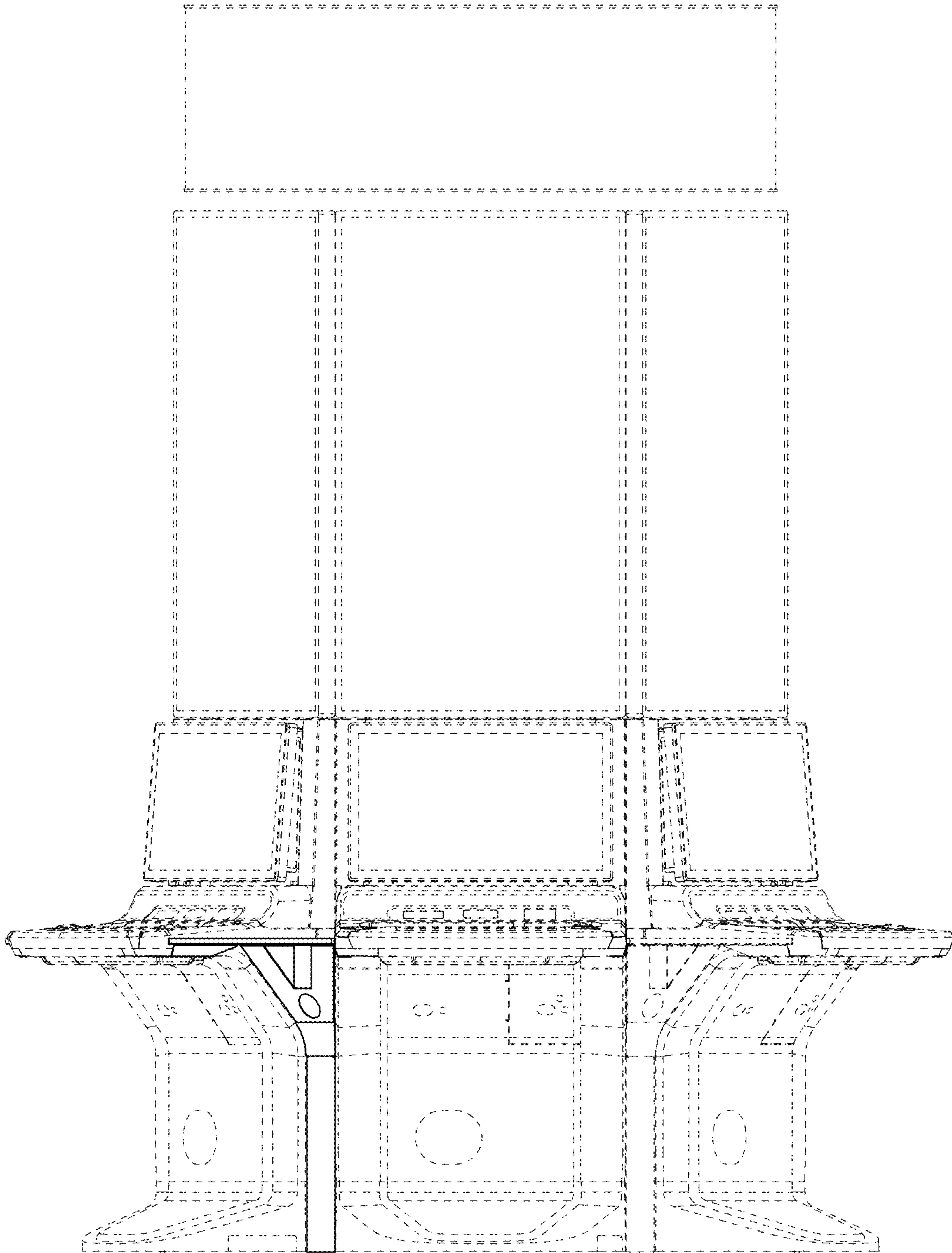


FIG. 2

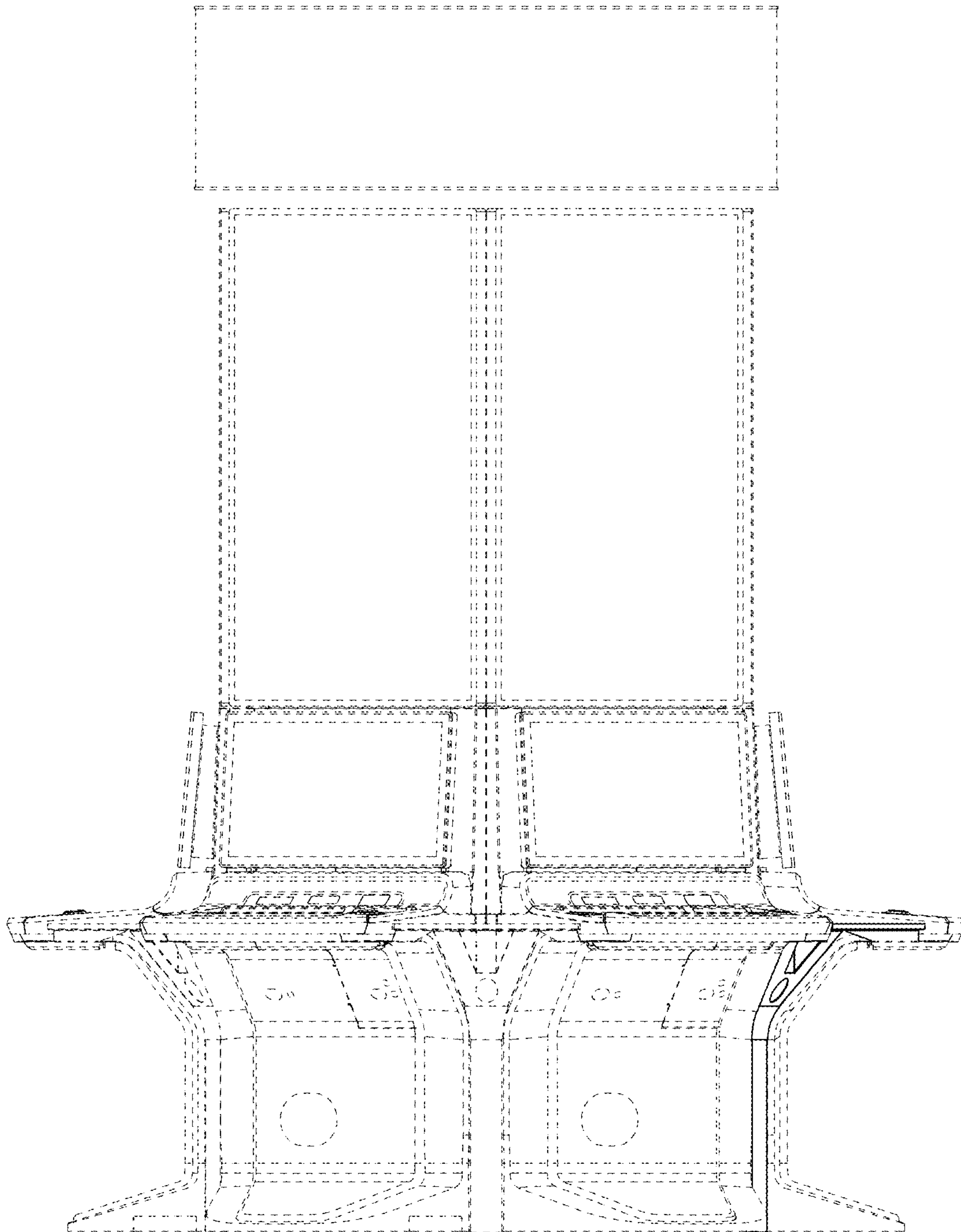


FIG. 3

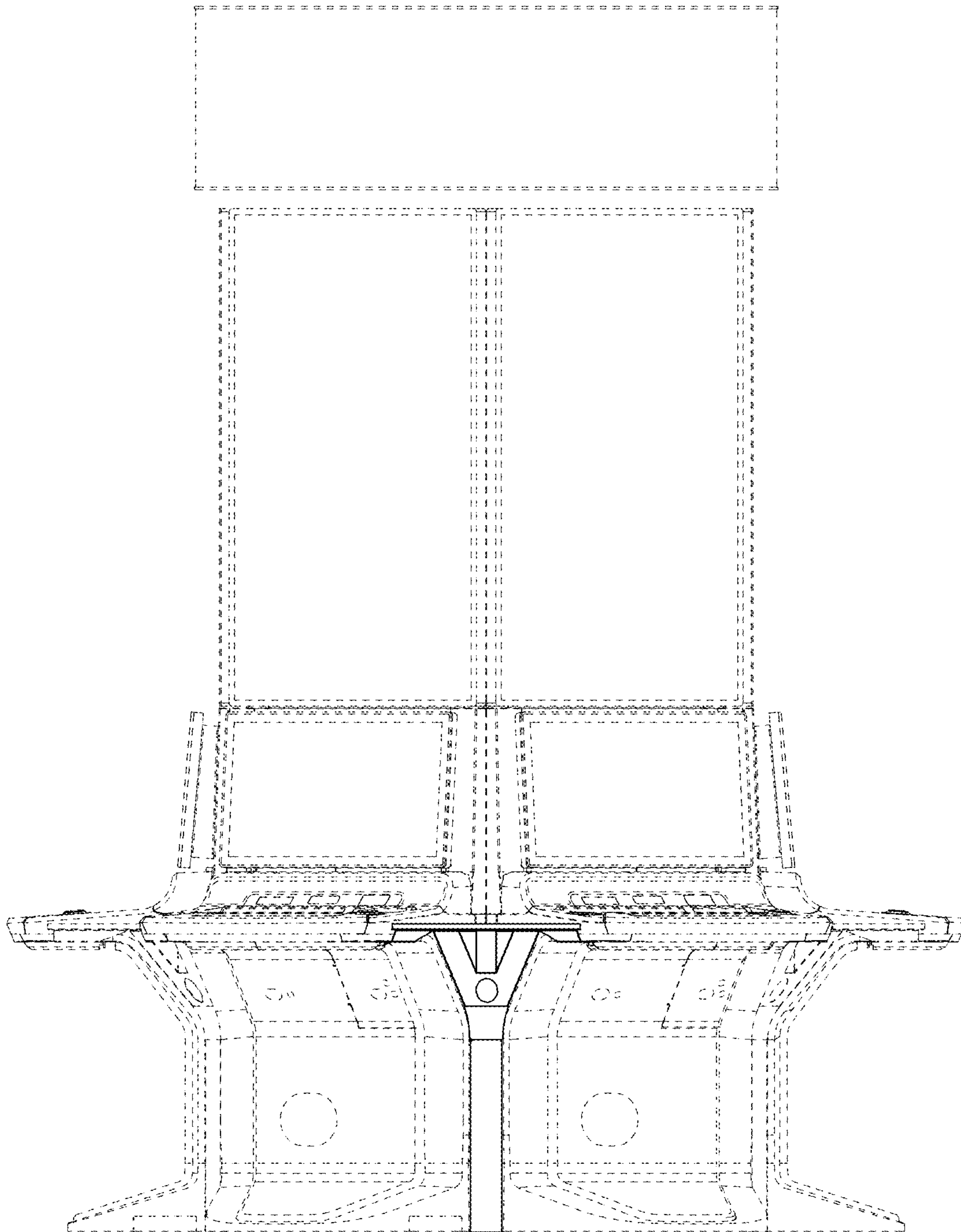


FIG. 4

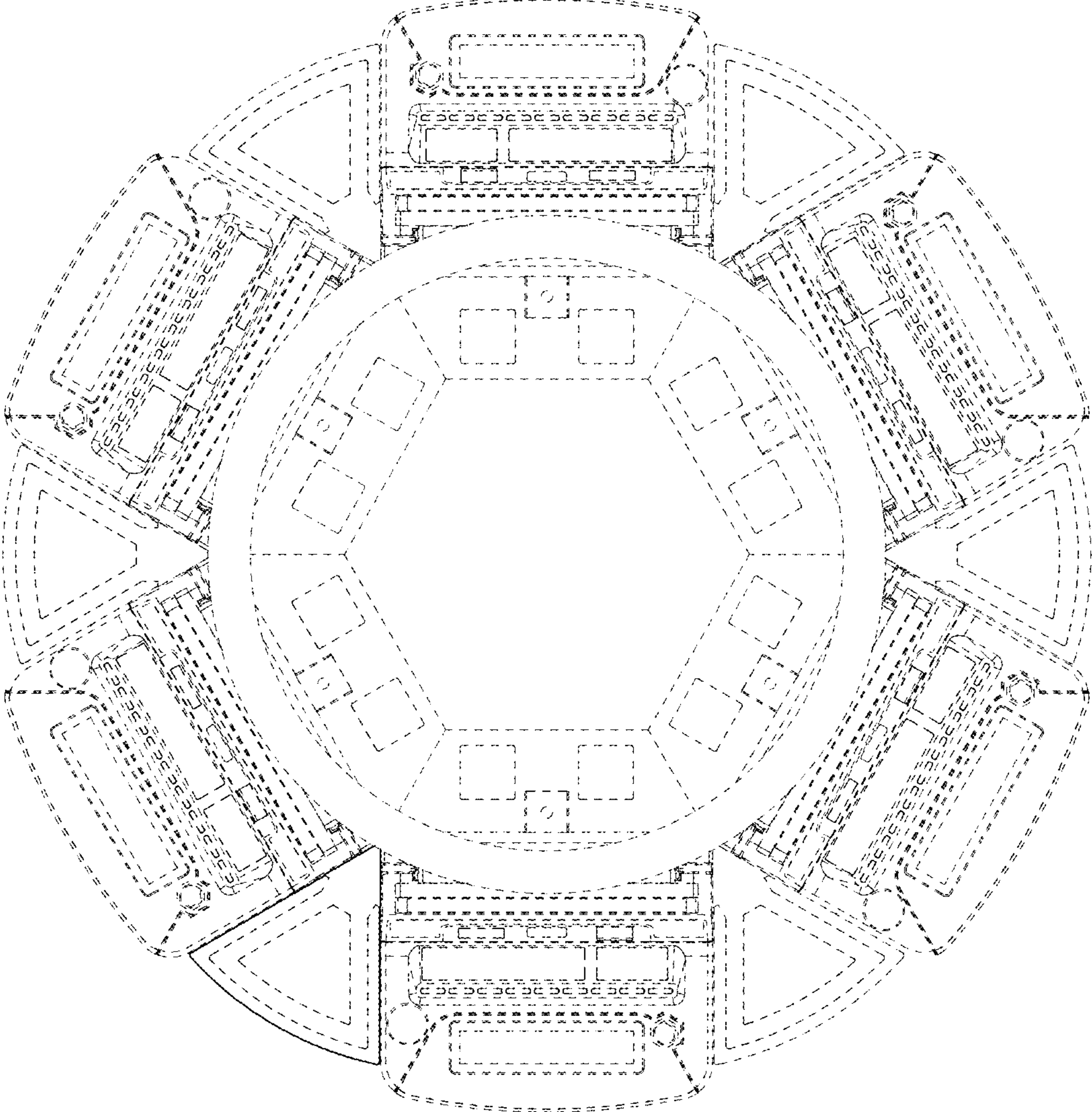


FIG. 5

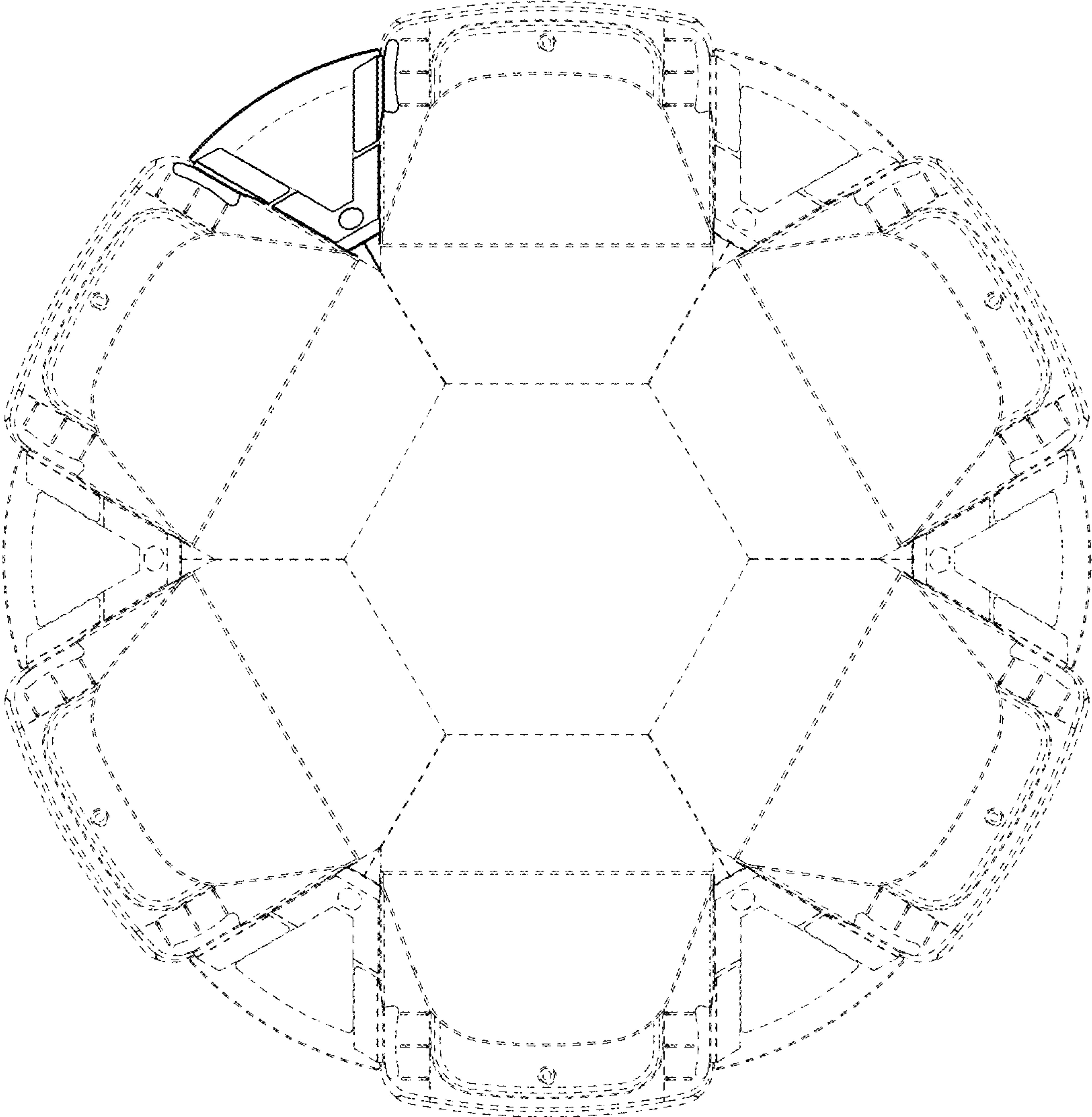


FIG. 6