



US00D900227S

(12) **United States Design Patent**
Jung

(10) **Patent No.:** **US D900,227 S**

(45) **Date of Patent:** **** Oct. 27, 2020**

(54) **CASE FOR HANDHELD ELECTRONIC GAME**

(71) Applicant: **SPIGEN KOREA CO., LTD.**, Seoul (KR)

(72) Inventor: **Soo Ha Jung**, Seoul (KR)

(73) Assignee: **SPIGEN KOREA CO., LTD.**, Seoul (KR)

(**) Term: **15 Years**

(21) Appl. No.: **29/718,625**

(22) Filed: **Dec. 26, 2019**

(51) **LOC (12) Cl.** **21-01**

(52) **U.S. Cl.**
USPC **D21/333**

(58) **Field of Classification Search**
USPC D14/203.3–203.7, 439, 251–253, 447, D14/217, 240, 248, 238.1, 440, 250, 454; D13/103, 107–108, 119; D3/201, 218, D3/247, 249, 269, 273, 301, 303; D21/333
CPC H04B 1/3888; H04M 1/0283; H04M 1/0202; A45C 1/06; A45C 11/00; A45C 13/02; A45C 2011/002; A45F 2005/026; A45F 2200/0525; A45F 2200/0516
See application file for complete search history.

(56) **References Cited**

U.S. PATENT DOCUMENTS

D429,563 S * 8/2000 Kurano D3/226
D432,586 S * 10/2000 Galli-Zugaro D21/333
D447,865 S * 9/2001 Hillman D3/226
D452,247 S * 12/2001 Flynn D14/454
D461,631 S * 8/2002 Hussaini D3/218
D461,850 S * 8/2002 Hussaini D21/333
6,616,111 B1 * 9/2003 White G06F 1/1626
206/320
D496,785 S * 10/2004 Hussaini D3/218

D532,829 S * 11/2006 Kawanobe D21/333
D542,032 S * 5/2007 Williams et al.
D542,855 S * 5/2007 Lim D14/401
D542,856 S * 5/2007 Lim D14/401
D624,129 S * 9/2010 Lim D21/333
D664,602 S * 7/2012 Chiu D14/432
D671,932 S * 12/2012 Azoulay
D685,779 S * 7/2013 Schriefer D14/250
D712,890 S * 9/2014 McCormac D14/250
D716,280 S * 10/2014 Macrina et al.
D720,342 S * 12/2014 Starrett D14/252
D730,343 S * 5/2015 Hemesath et al.
D733,154 S * 6/2015 Armstrong et al.
D743,388 S * 11/2015 Fitzpatrick et al.
D745,505 S * 12/2015 Barfoot et al.
D745,506 S * 12/2015 Barfoot et al.
D747,303 S * 1/2016 Su et al.
9,281,859 B1 * 3/2016 Lee H04B 1/3888

(Continued)

Primary Examiner — Carla J Wright

(74) *Attorney, Agent, or Firm* — Heedong Chae; Lucem. PC

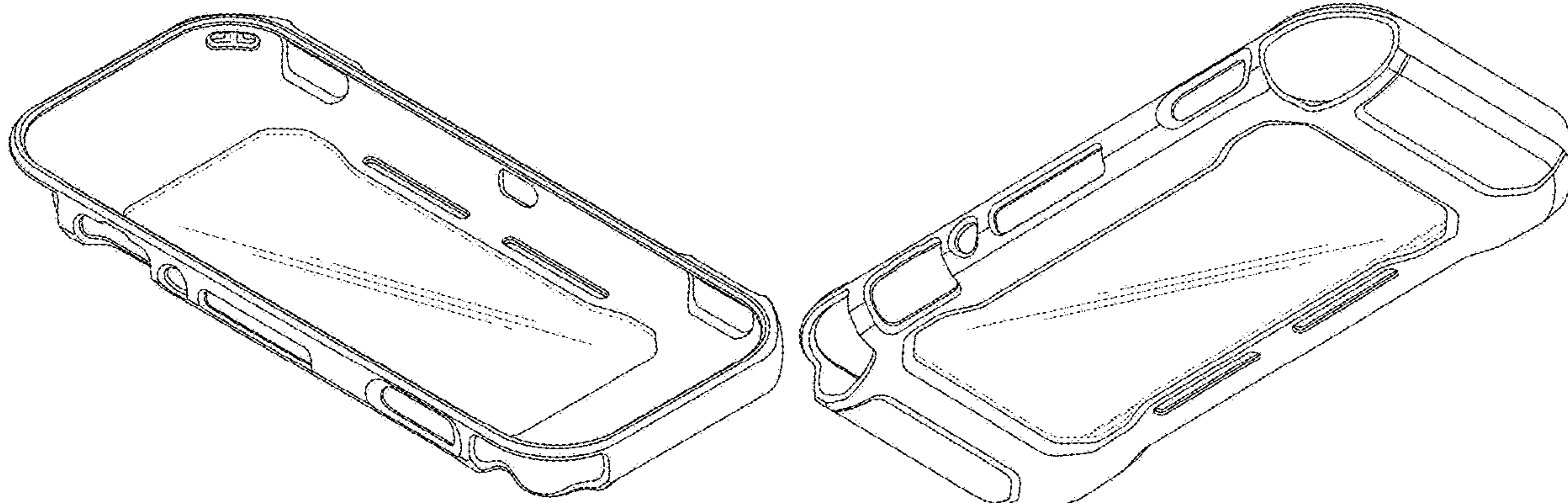
(57) **CLAIM**

The ornamental design for a case for handheld electronic game, as shown and described.

DESCRIPTION

FIG. 1 is a front perspective view of a case for handheld electronic game showing my new design; FIG. 2 is another front perspective view thereof; FIG. 3 is a rear perspective view thereof; FIG. 4 is another rear perspective view thereof; FIG. 5 is a front elevational view thereof; FIG. 6 is a rear elevational view thereof; FIG. 7 is a left side elevational view thereof; FIG. 8 is a right side elevational view thereof; FIG. 9 is a top plan view thereof; and, FIG. 10 is a bottom plan view thereof.

1 Claim, 10 Drawing Sheets



(56)

References Cited

U.S. PATENT DOCUMENTS

D756,977	S *	5/2016	Schriefer	D14/250
D765,638	S	9/2016	Gaylord et al.	
D765,642	S	9/2016	Bulkley	
D766,249	S	9/2016	Veltz et al.	
D766,885	S	9/2016	Armstrong et al.	
D766,907	S	9/2016	Veltz et al.	
D768,123	S	10/2016	Armstrong et al.	
D794,626	S	8/2017	Armstrong et al.	
D799,462	S *	10/2017	Wright	D14/250
D802,596	S	11/2017	Hannon et al.	
D806,692	S *	1/2018	Jia	D14/250
D808,168	S	1/2018	Turczynskyj	
D811,379	S	2/2018	Armstrong et al.	
9,989,999	B2 *	6/2018	Yturralde	G06F 1/1628
D837,219	S	1/2019	Gao	
D838,710	S *	1/2019	Wang	D14/250
D846,542	S *	4/2019	Sasaki	D14/250
D850,456	S	6/2019	Armstrong et al.	
D851,092	S	6/2019	Tan	
D860,211	S	9/2019	Xie	
D868,790	S	12/2019	Weng	
D875,834	S *	2/2020	Tien	D21/333
D881,992	S *	4/2020	Liu	D21/333
2004/0016658	A1 *	1/2004	Le	A45C 11/00 206/305

* cited by examiner

FIG. 1

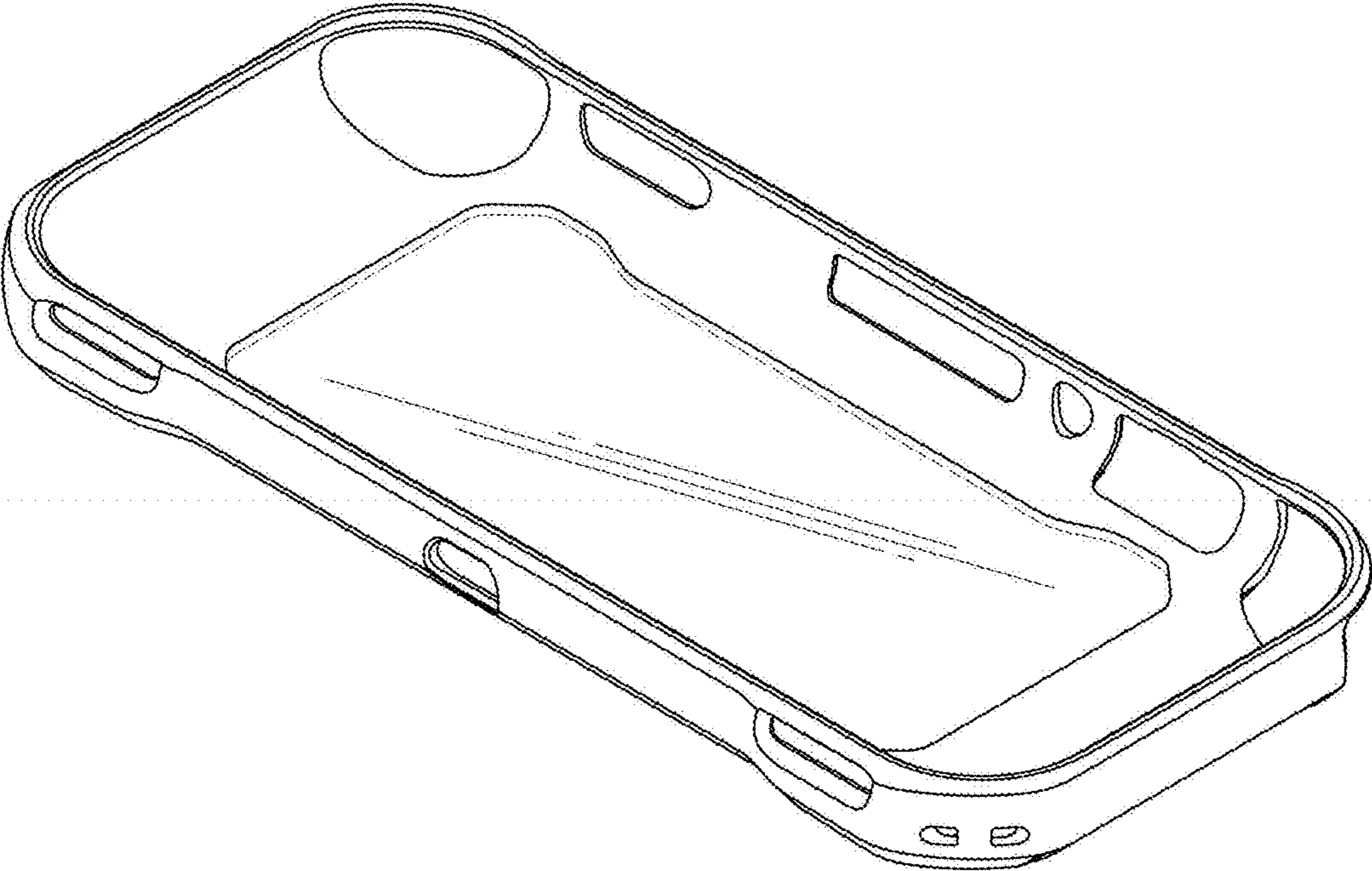


FIG. 2

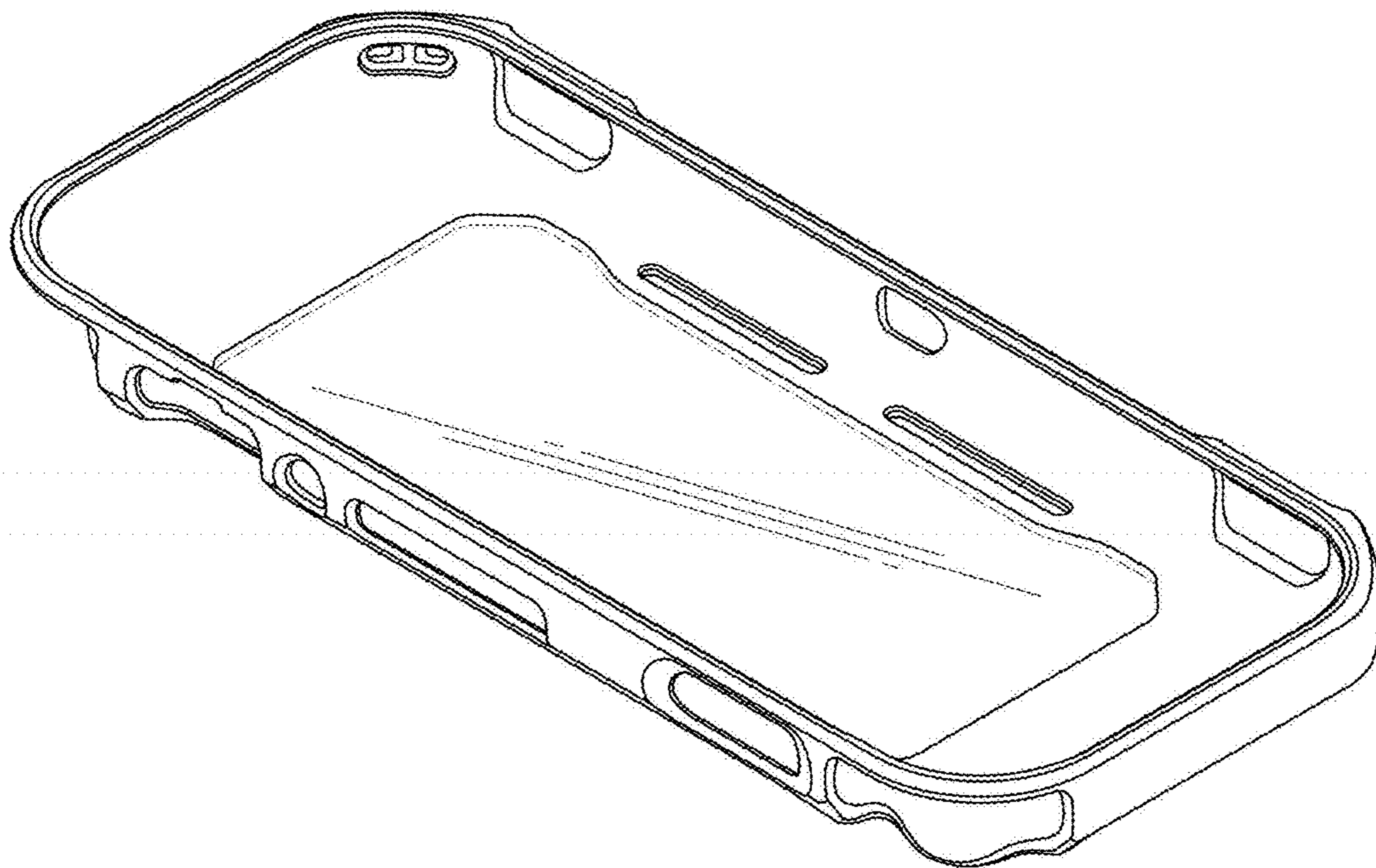


FIG. 3

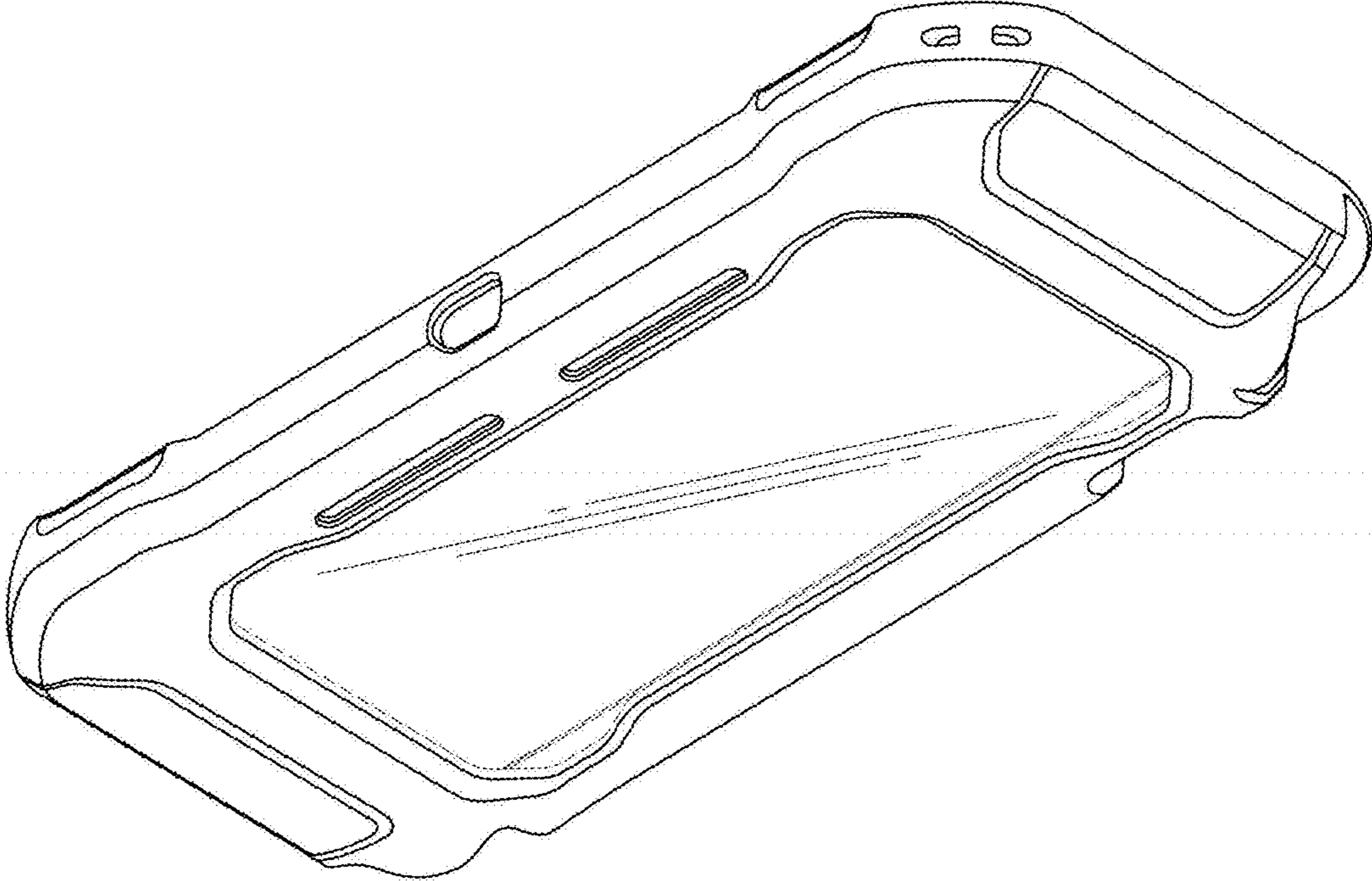


FIG. 4

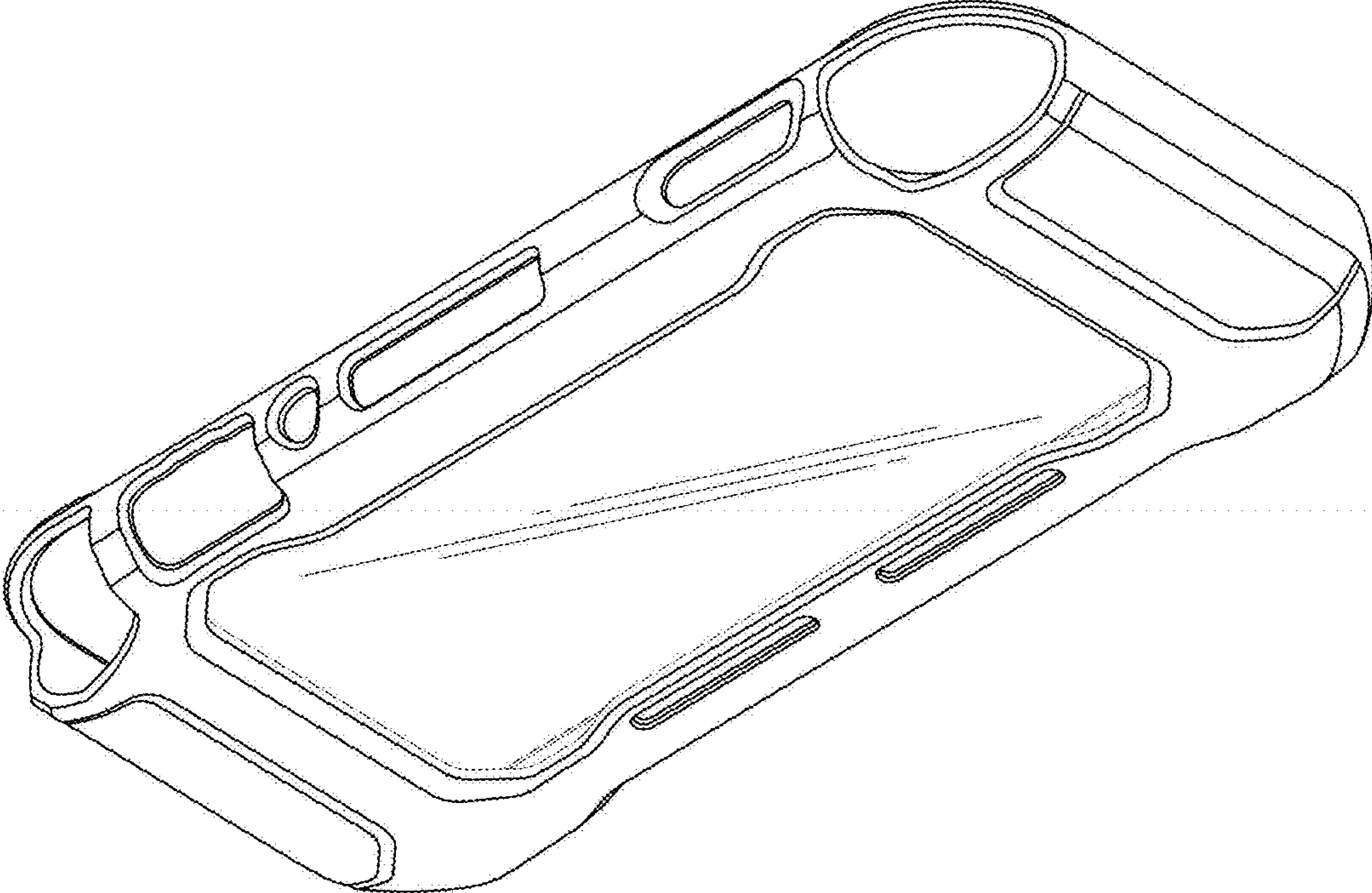


FIG. 5

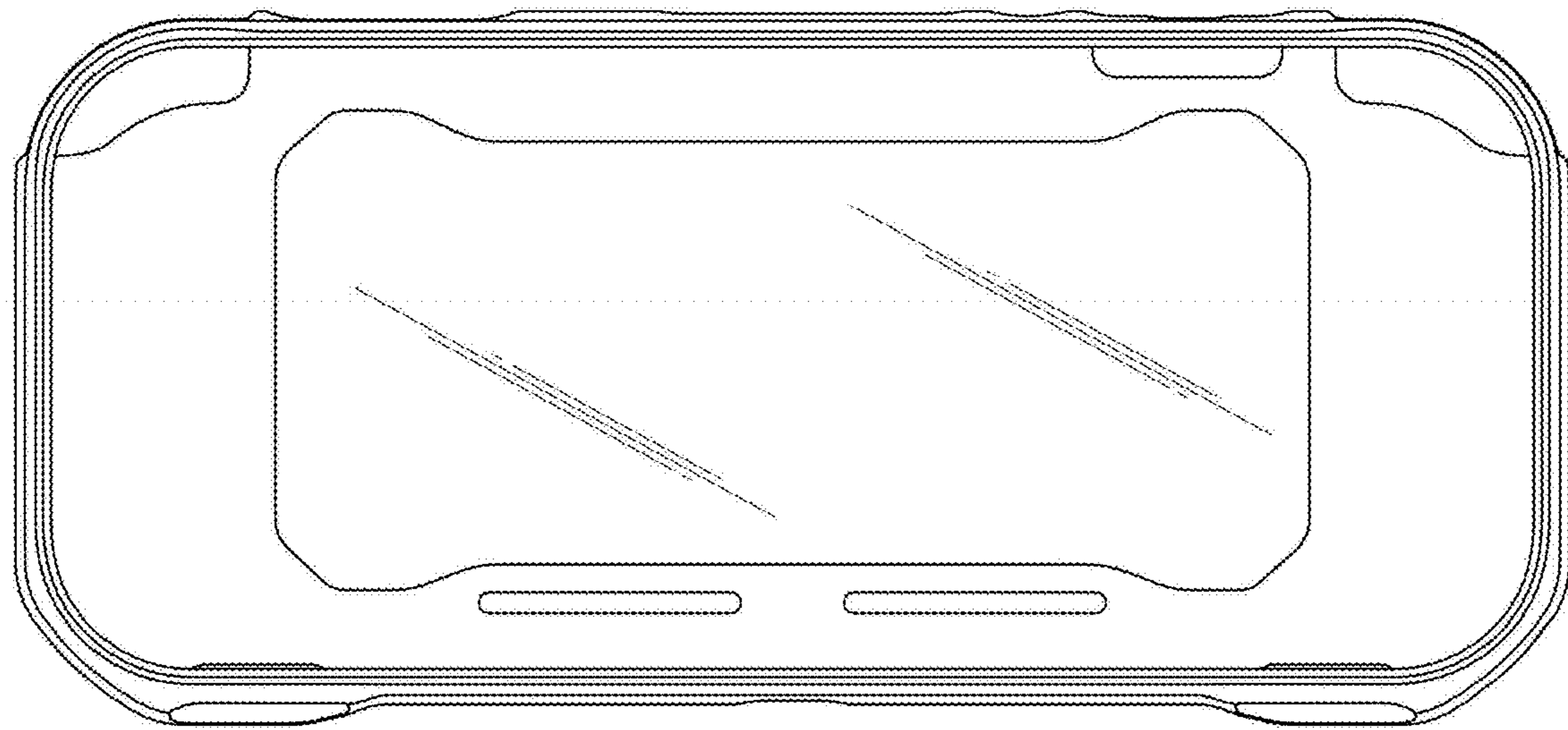


FIG. 6

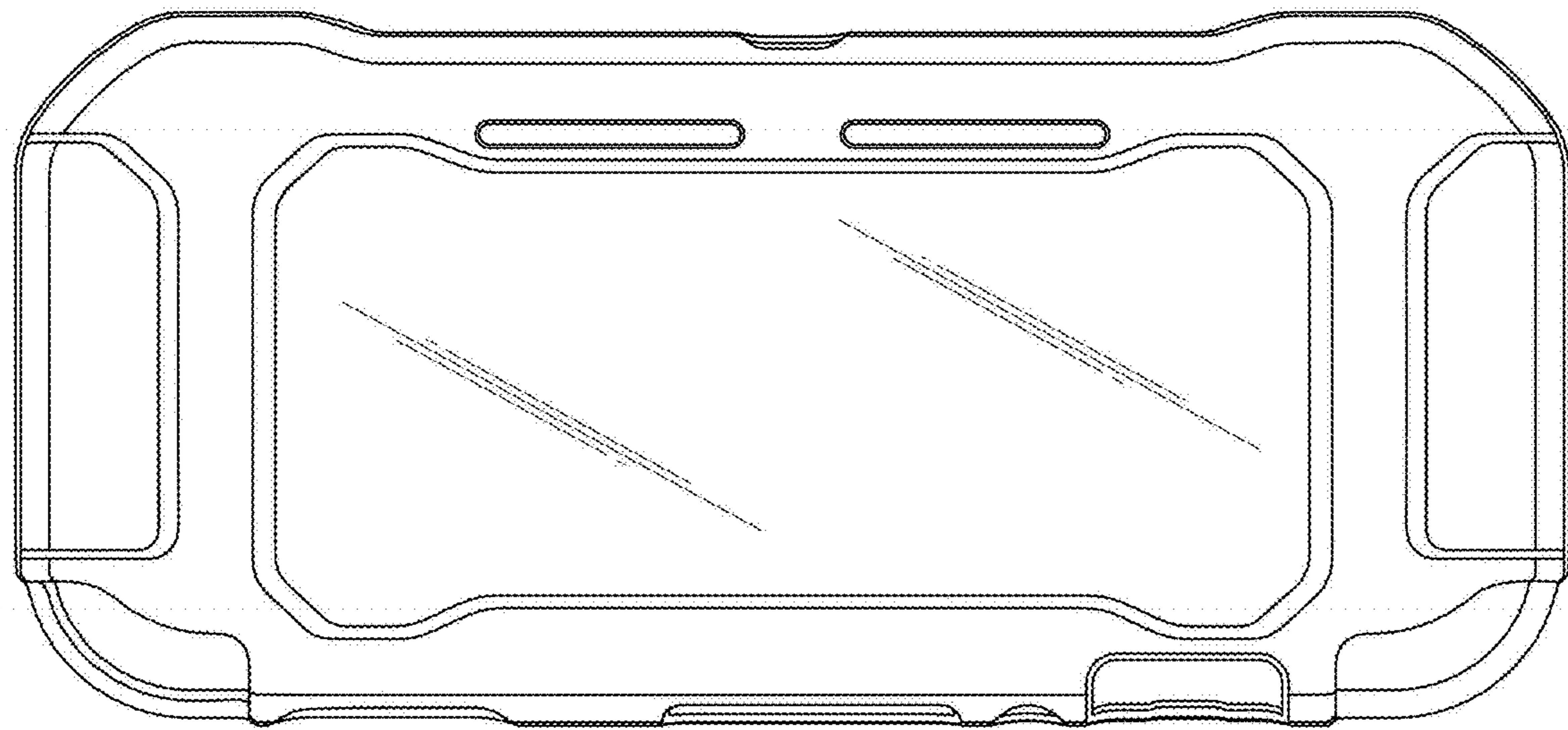


FIG. 7

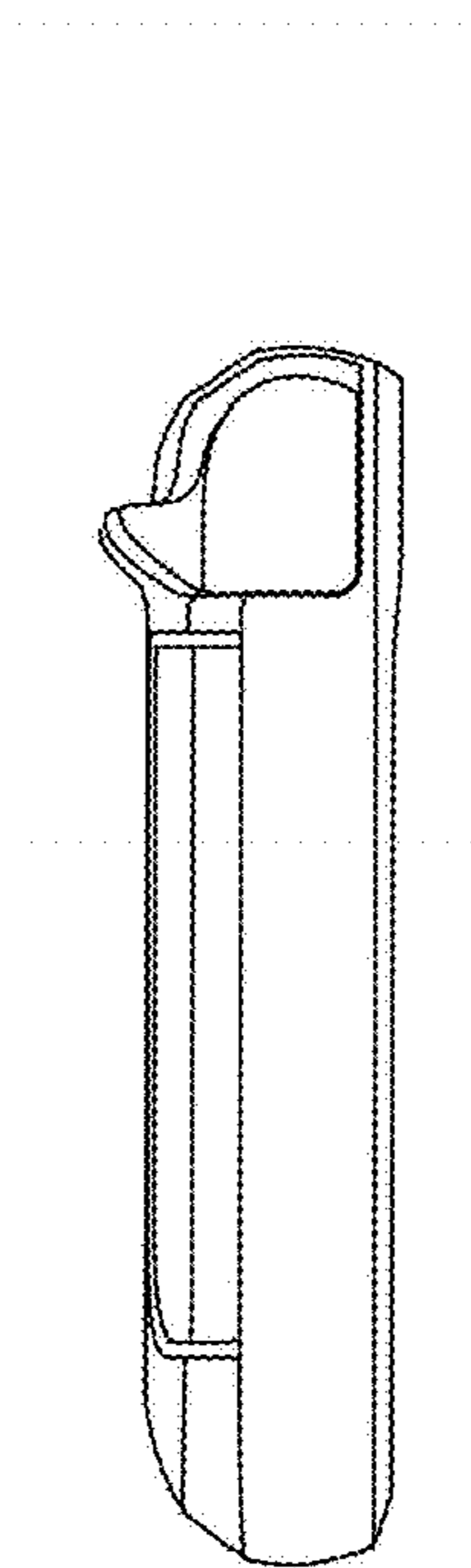


FIG. 8

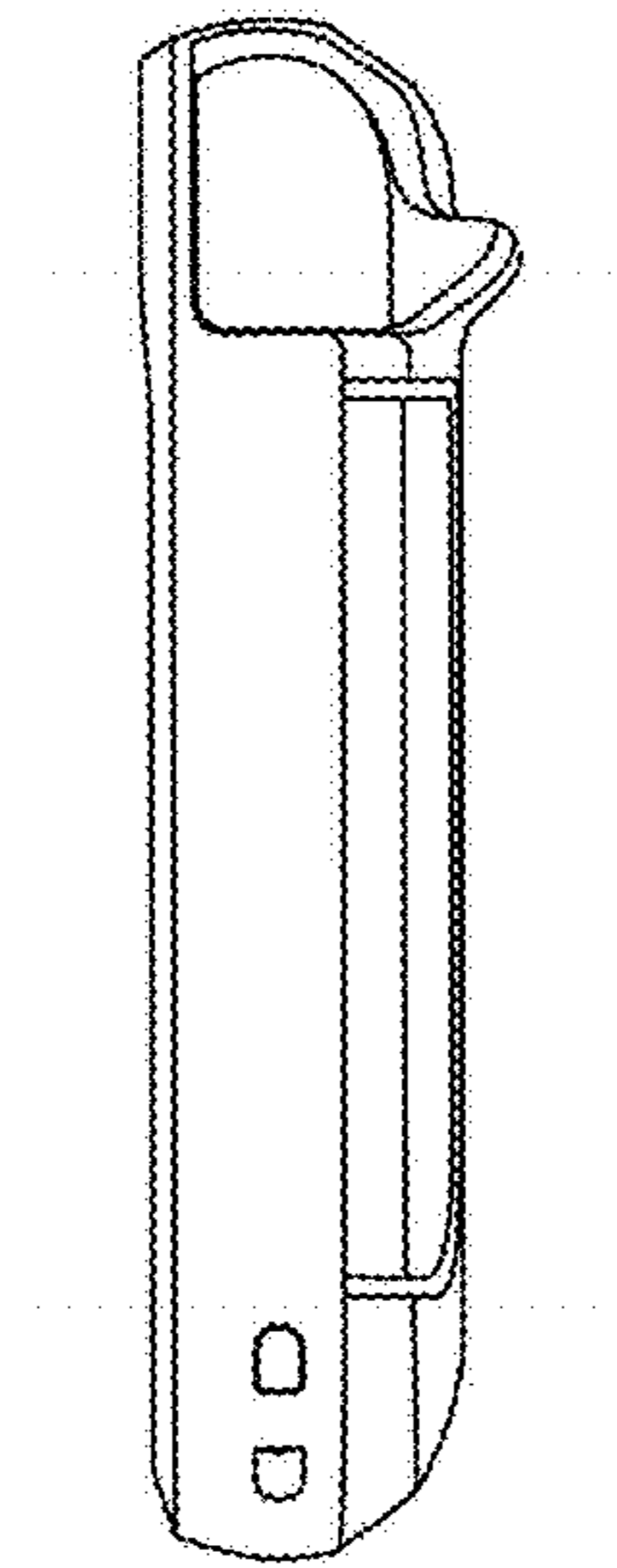
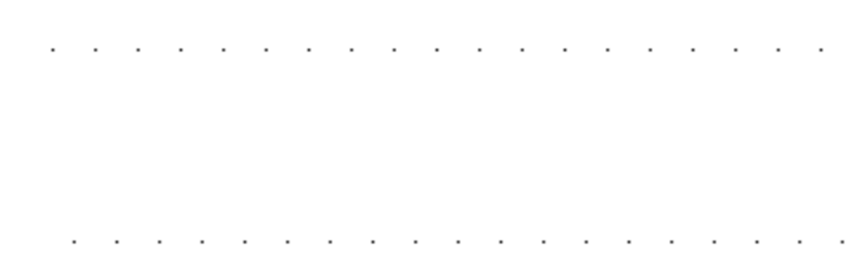


FIG. 9

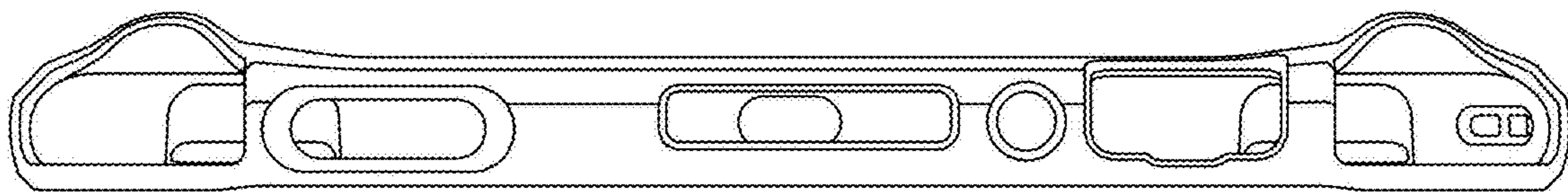


FIG. 10

