



US00D900226S

(12) **United States Design Patent** (10) **Patent No.:** **US D900,226 S**
DeLille et al. (45) **Date of Patent:** **** Oct. 27, 2020**

(54) **VIDEO GAME CONTROLLER THUMBSTICK ATTACHMENT**

(71) Applicant: **KontrolFreek, LLC**, Atlanta, GA (US)

(72) Inventors: **Matthew Martin DeLille**, Dallas, GA (US); **Brett Daniel Lorber**, Atlanta, GA (US)

(73) Assignee: **KONTROLFREEK, LLC**, Atlanta, GA (US)

(**) Term: **15 Years**

(21) Appl. No.: **29/629,766**

(22) Filed: **Dec. 15, 2017**

(51) **LOC (12) Cl.** **21-01**

(52) **U.S. Cl.**
USPC **D21/333**

(58) **Field of Classification Search**
USPC D21/328, 333, 385, 453, 561, 658,
D21/753-758; D14/399-401, 412-418;
(Continued)

(56) **References Cited**

U.S. PATENT DOCUMENTS

D321,164 S * 10/1991 Gibson D12/213
D451,595 S * 12/2001 Chen D23/382
(Continued)

OTHER PUBLICATIONS

“Uniboxing/Review of the KontrolFreek Bortext”, posted Feb. 1, 2016 [onlin], [Retrieved 10/077/2019]. Available on internet: https://www.youtube.com/watch?v=kI2C_EWIDD4.
(Continued)

Primary Examiner — Sandra S Snapp
Assistant Examiner — Mehri Bajoul
(74) *Attorney, Agent, or Firm* — Seyfarth Shaw LLP;
Dean Fanelli

(57) **CLAIM**

We claim the ornamental design for a video game controller thumbstick attachment, as shown and described.

DESCRIPTION

The patent or application file contains at least one drawing executed in color. Copies of this patent or patent application with color drawing(s) will be provided by the Office upon request and payment of the necessary fee.

FIG. 1 is a top perspective view of a first embodiment for a video game controller thumbstick attachment;

FIG. 2 is a top plan view thereof;

FIG. 3 is a bottom plan view thereof;

FIG. 4 is a first side elevation view thereof;

FIG. 5 is a second side elevation view thereof;

FIG. 6 is a third side elevation view elevation thereof;

FIG. 7 is a fourth side elevation view elevation thereof;

FIG. 8 is another top perspective view for a video game controller thumbstick attachment;

FIG. 9 is a top perspective view of a second embodiment for a video game controller thumbstick attachment;

FIG. 10 is a top plan view thereof;

FIG. 11 is a bottom plan view thereof;

FIG. 12 is a first side elevation view thereof;

FIG. 13 is a second side elevation view thereof;

FIG. 14 is a top perspective view of a third embodiment for a video game controller thumbstick attachment;

FIG. 15 is a top plan view thereof;

FIG. 16 is a bottom plan view thereof;

FIG. 17 is a first side elevation view thereof;

FIG. 18 is a second side elevation view thereof;

FIG. 19 is a top perspective view of a fourth embodiment for a video game controller thumbstick attachment;

FIG. 20 is a top plan view thereof;

FIG. 21 is a bottom plan view thereof;

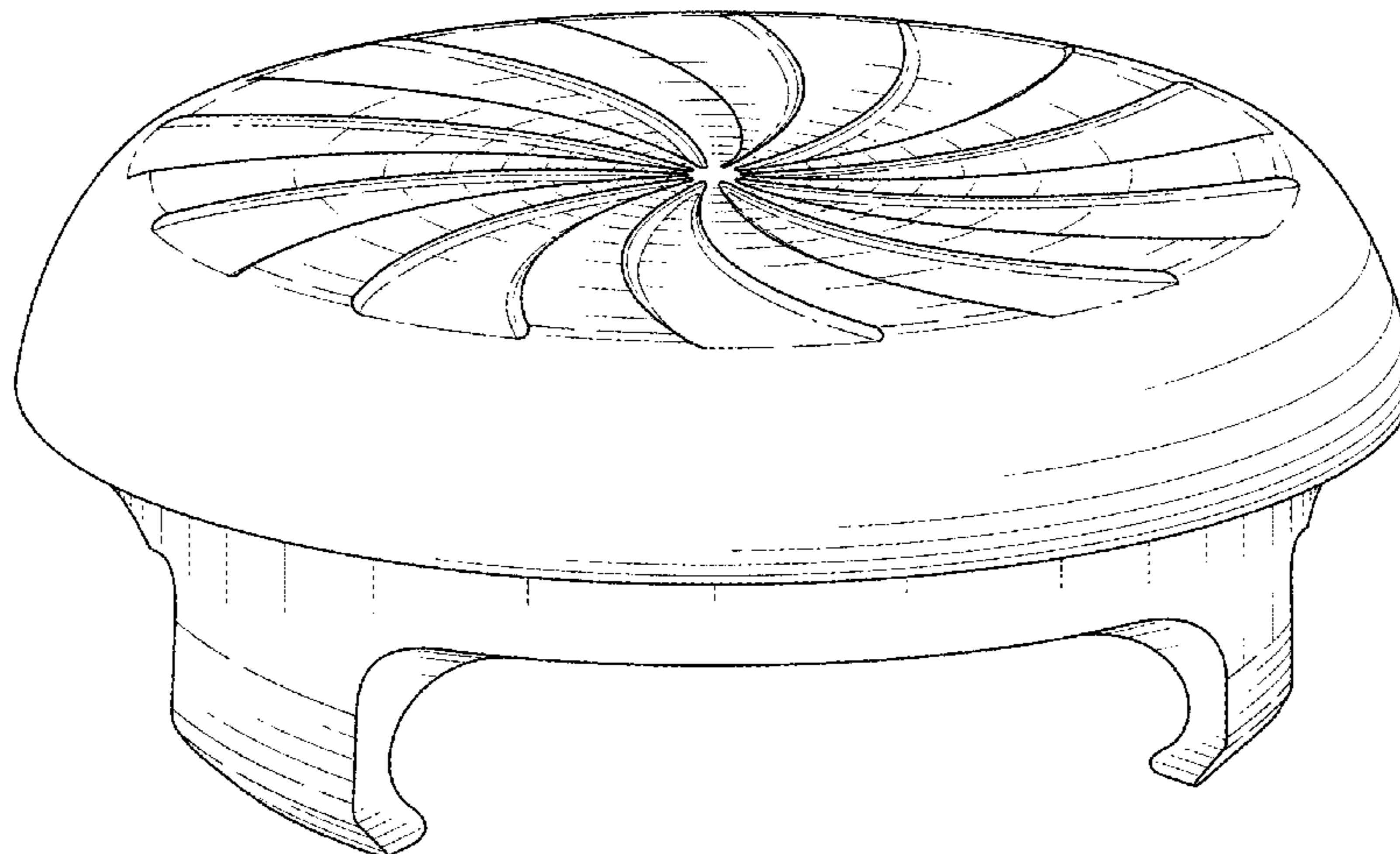
FIG. 22 is a first side elevation view thereof;

FIG. 23 is a second side elevation view thereof;

FIG. 24 is a third side elevation view thereof; and,

FIG. 25 is a fourth side elevation view thereof.

(Continued)



The broken lines in the drawings depict environmental structure of the video game controller thumbstick attachment that form no part of the claimed design.

**1 Claim, 19 Drawing Sheets
(13 of 19 Drawing Sheet(s) Filed in Color)**

(58) Field of Classification Search

USPC D23/379, 382, 413; 463/1, 29-39, 46, 463/47; 345/156-161, 905; 273/148 B
CPC .. A63F 13/02; A63F 9/24; A63F 13/12; A63F 9/00; A63F 11/00; G06F 3/02; G06F 3/033; G09G 5/00

See application file for complete search history.

(56)

References Cited

U.S. PATENT DOCUMENTS

| | | | | |
|-----------|------|---------|-----------------|-----------------------|
| D558,692 | S * | 1/2008 | Neveu | D13/174 |
| D603,022 | S * | 10/2009 | Schonherr | D23/245 |
| D655,350 | S * | 3/2012 | Taniguchi | D21/329 |
| D656,130 | S * | 3/2012 | Bailey | D14/227 |
| 8,299,978 | B2 * | 10/2012 | Gates | H01Q 1/007 343/725 |

| | | | | |
|--------------|------|---------|------------------|----------------------|
| D678,284 | S * | 3/2013 | Coulter | D14/412 |
| D693,346 | S * | 11/2013 | Coulter | D14/412 |
| D700,080 | S * | 2/2014 | Broadbent | D10/65 |
| D725,088 | S * | 3/2015 | Kwak | D14/240 |
| D762,780 | S | 8/2016 | Mistry et al. | |
| D762,781 | S * | 8/2016 | Mistry | D14/401 |
| D762,782 | S * | 8/2016 | Walker, II | D14/401 |
| D766,374 | S * | 9/2016 | Kujawski | D14/401 |
| 9,678,577 | B1 * | 6/2017 | Rutledge | G06F 3/02 |
| D794,024 | S * | 8/2017 | Kujawski | D14/401 |
| D802,404 | S * | 11/2017 | Turksu | D8/373 |
| D808,473 | S * | 1/2018 | Finn | D21/658 |
| D813,239 | S * | 3/2018 | Akana | D14/432 |
| D824,012 | S * | 7/2018 | Xu | D23/382 |
| 2006/0003840 | A1 * | 1/2006 | Bailey | A63F 13/02 463/36 |

OTHER PUBLICATIONS

FPS Freek Vortex, KontrolFreek, LLC, <https://www.kontrolfreek.com/thumbsticks/fps-freek-vortex.html> (last visited Dec. 15, 2017).
FPS Freek Edge, KontrolFreek, LLC, <https://www.kontrolfreek.com/thumbsticks/fps-freek-edge.html> (last visited Dec. 15, 2017).
FPS Freek Inferno, KontrolFreek, LLC, <https://www.kontrolfreek.com/thumbsticks/fps-freek-inferno.html> (last visited Dec. 15, 2017).

* cited by examiner

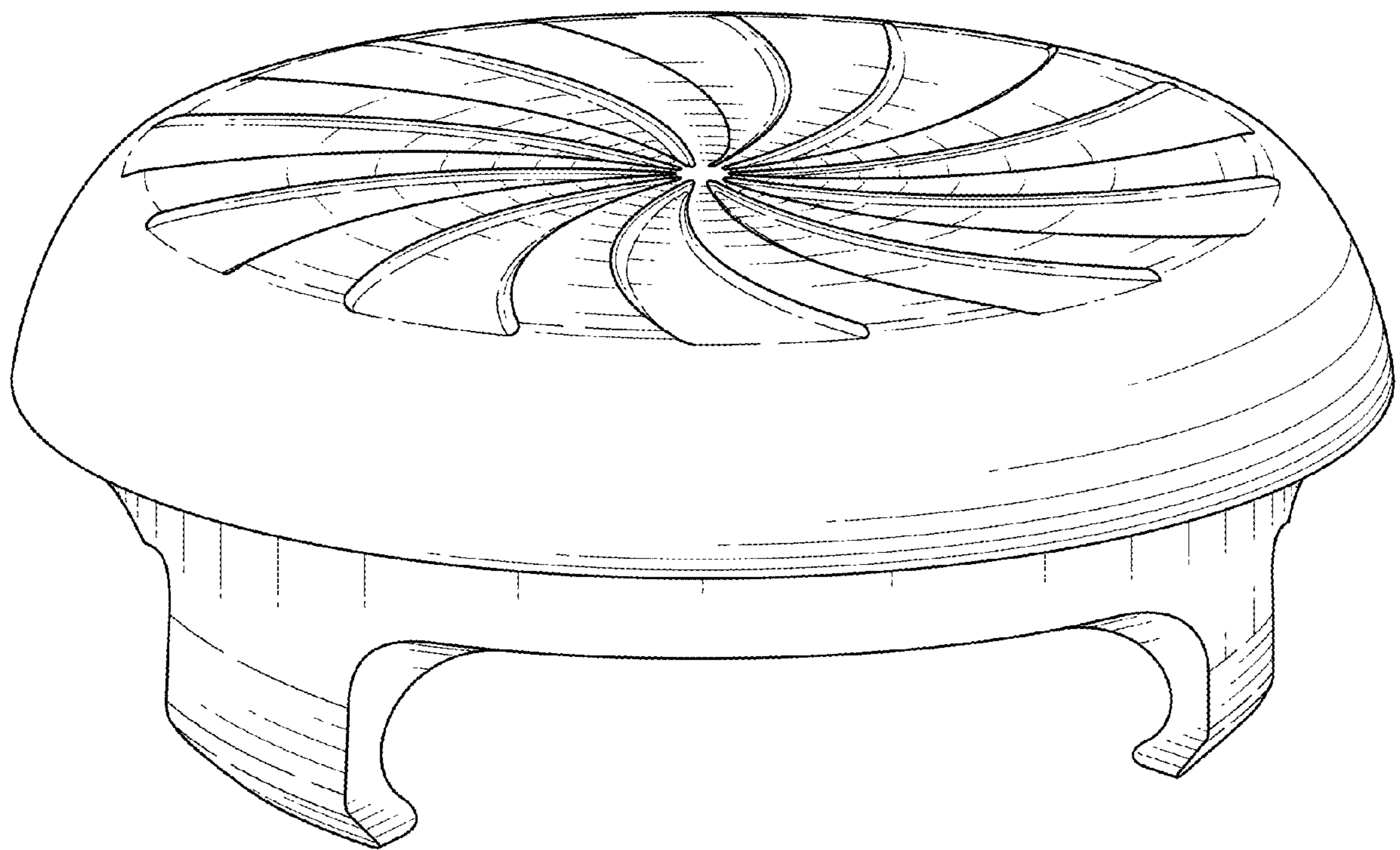


FIG. 1

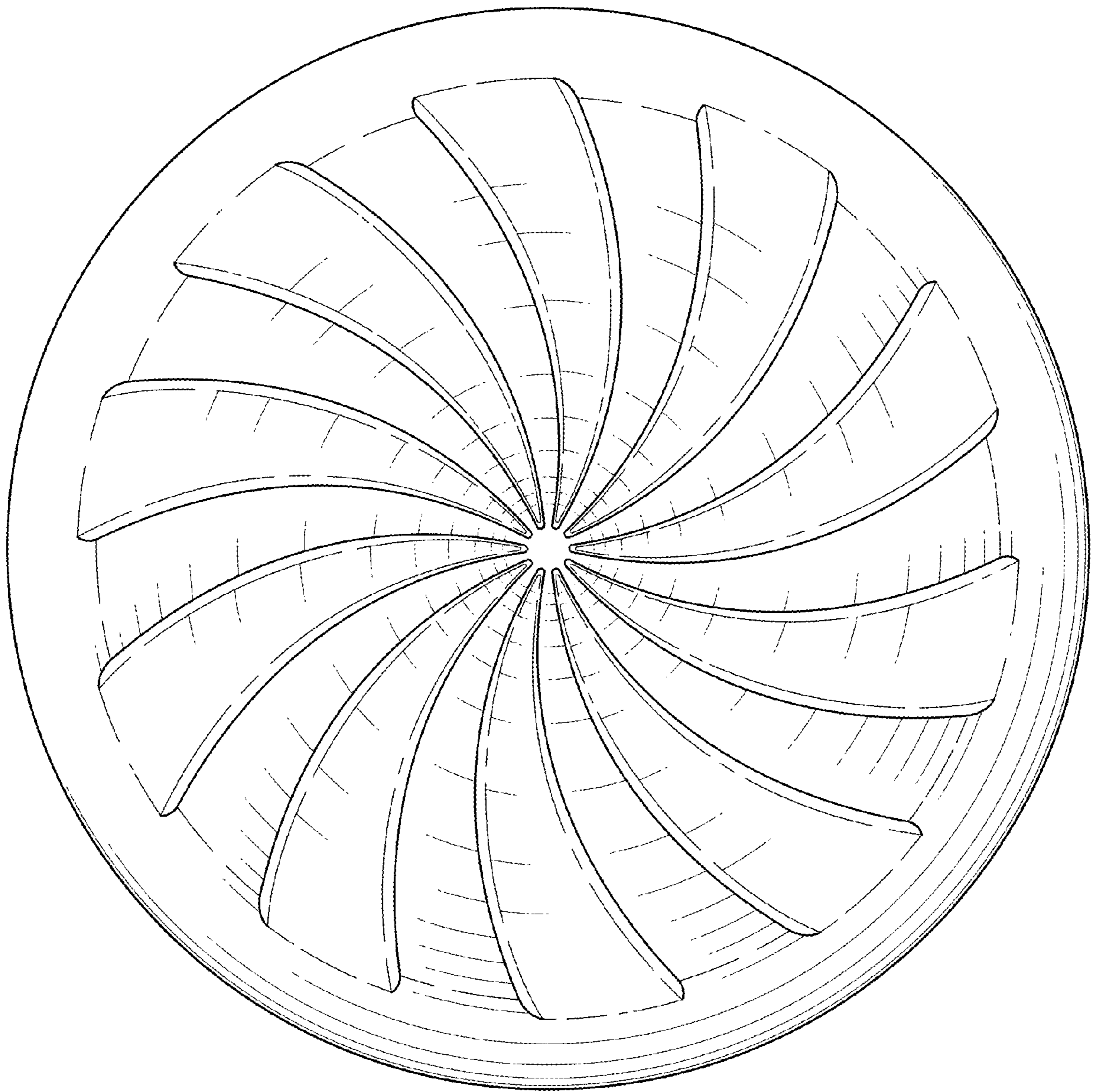


FIG. 2

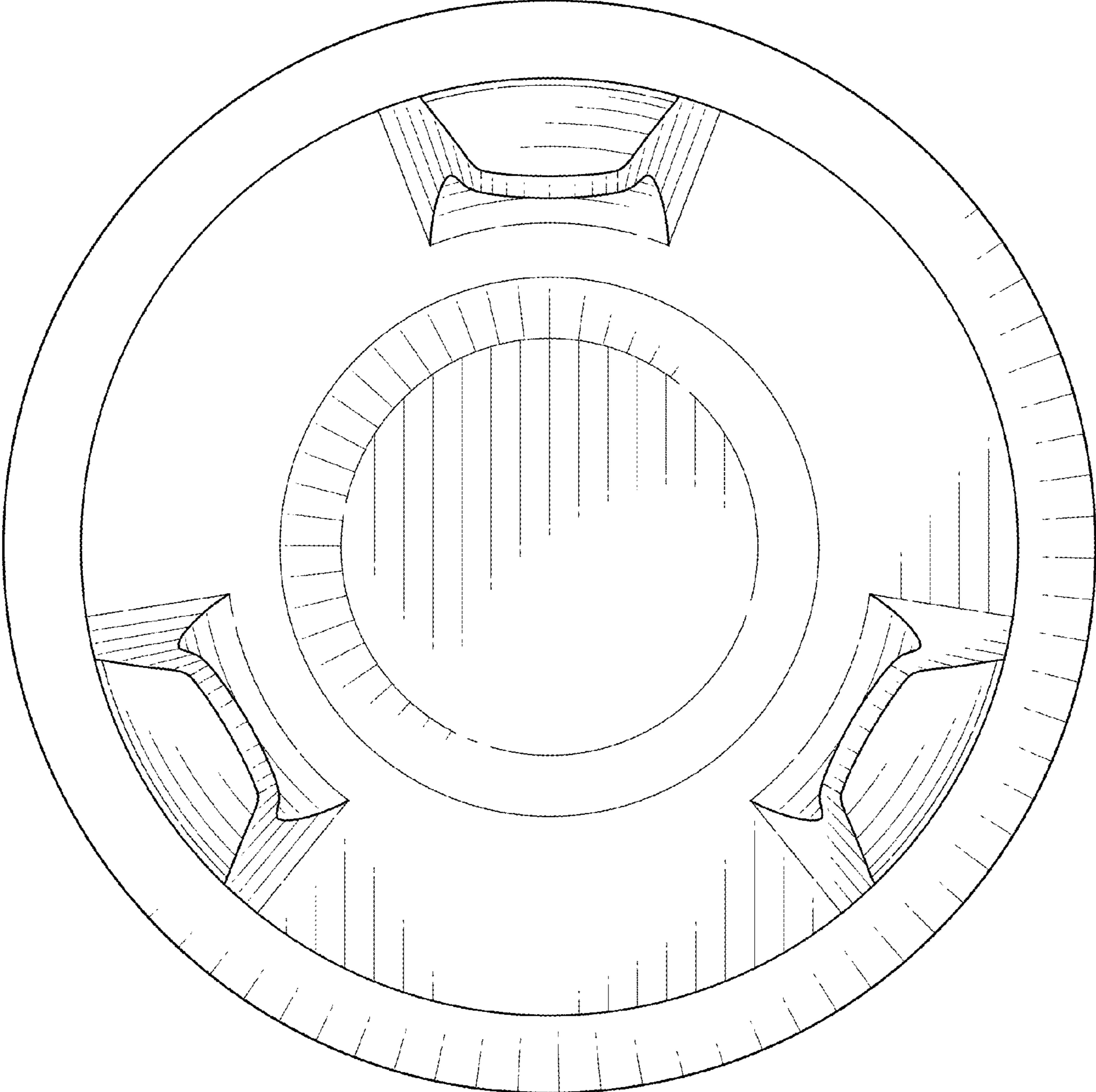


FIG. 3

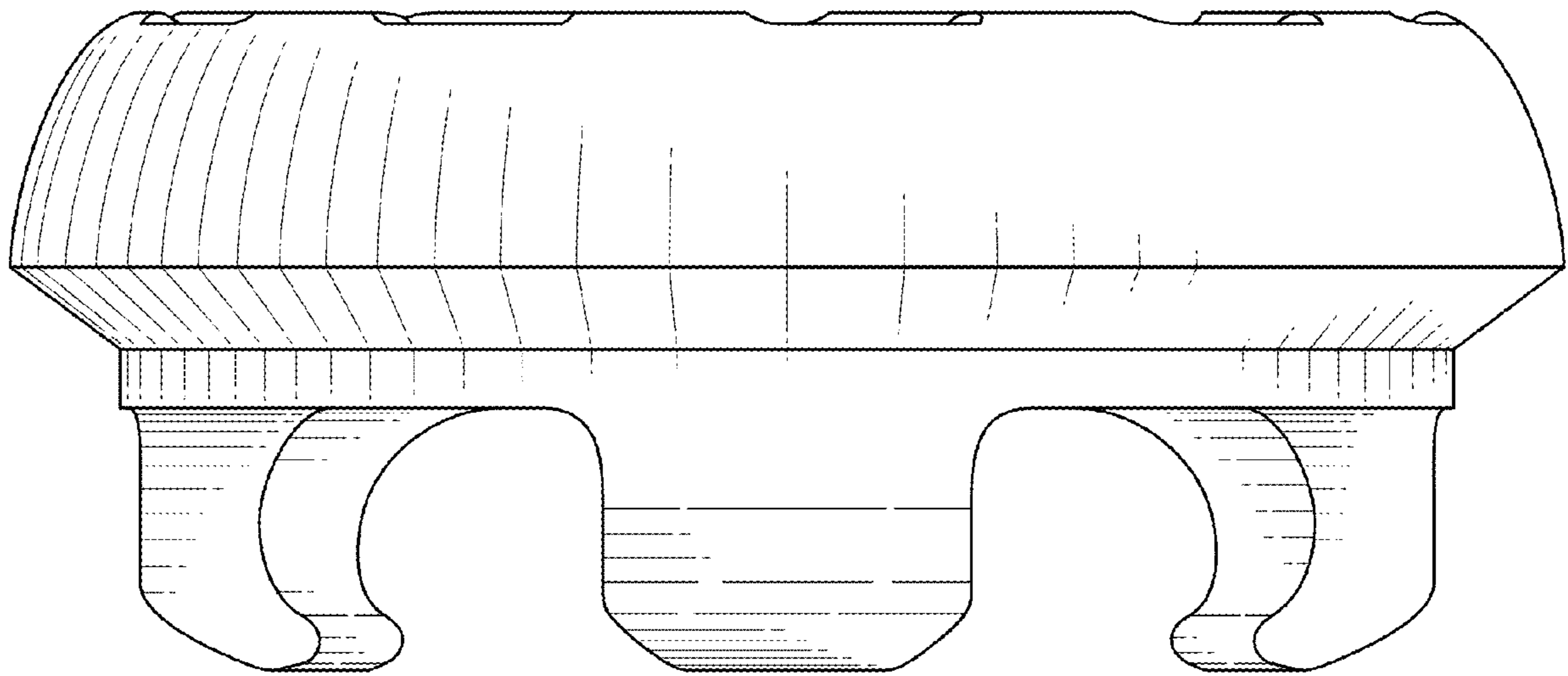


FIG. 4

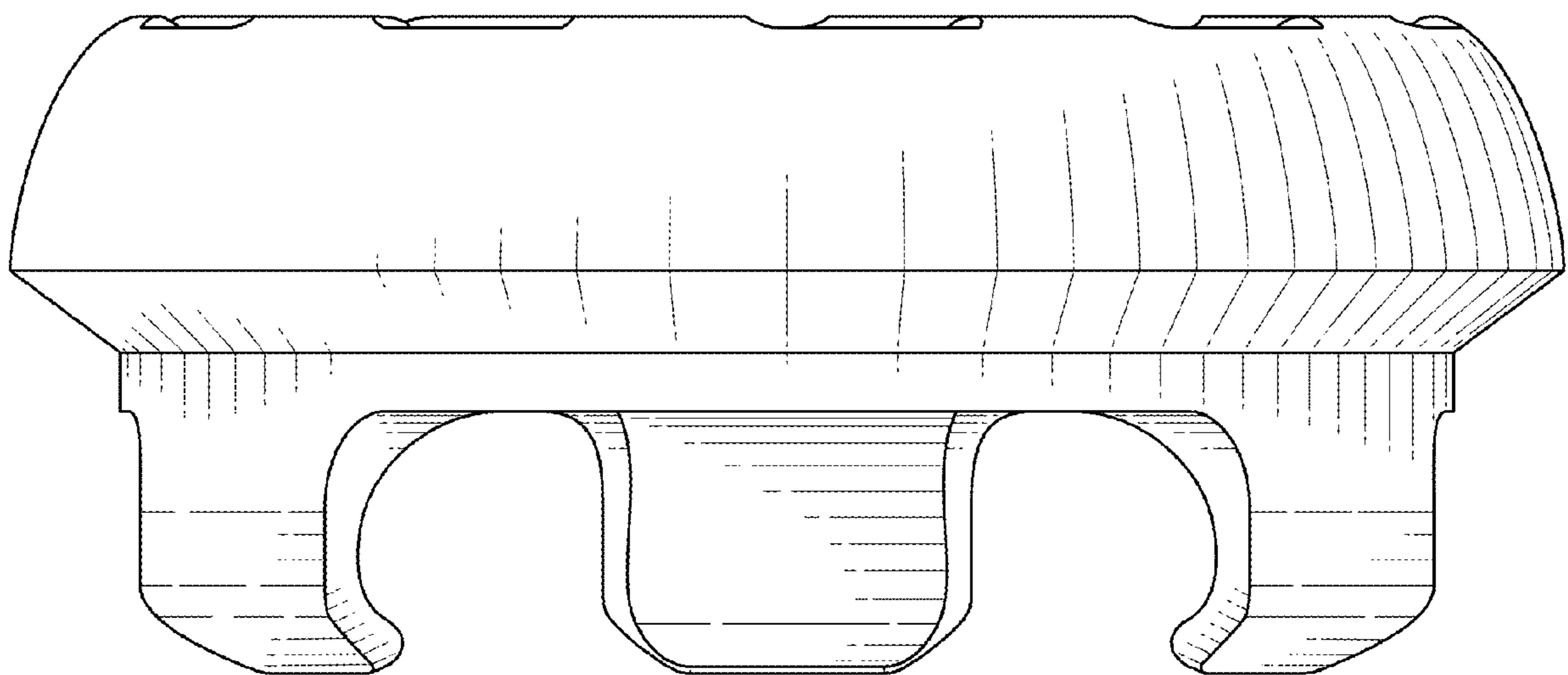


FIG. 5

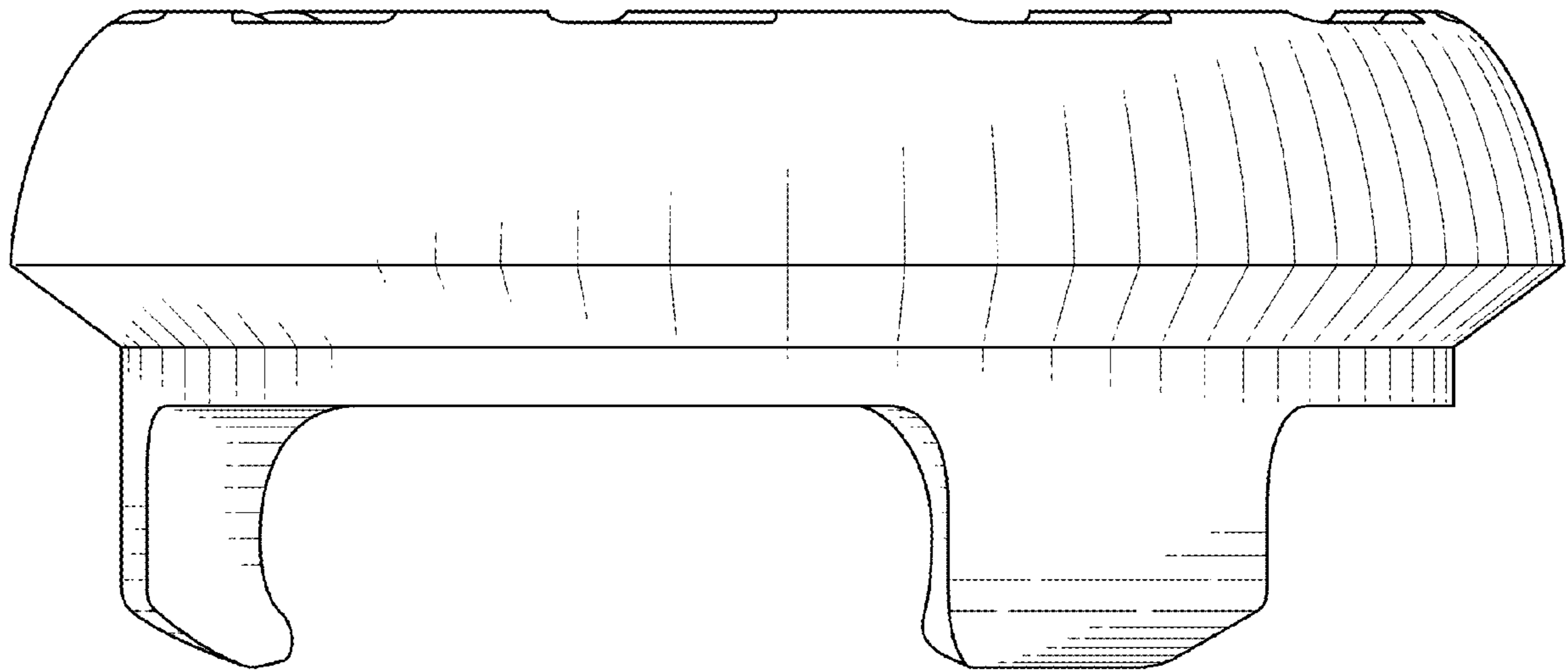


FIG. 6

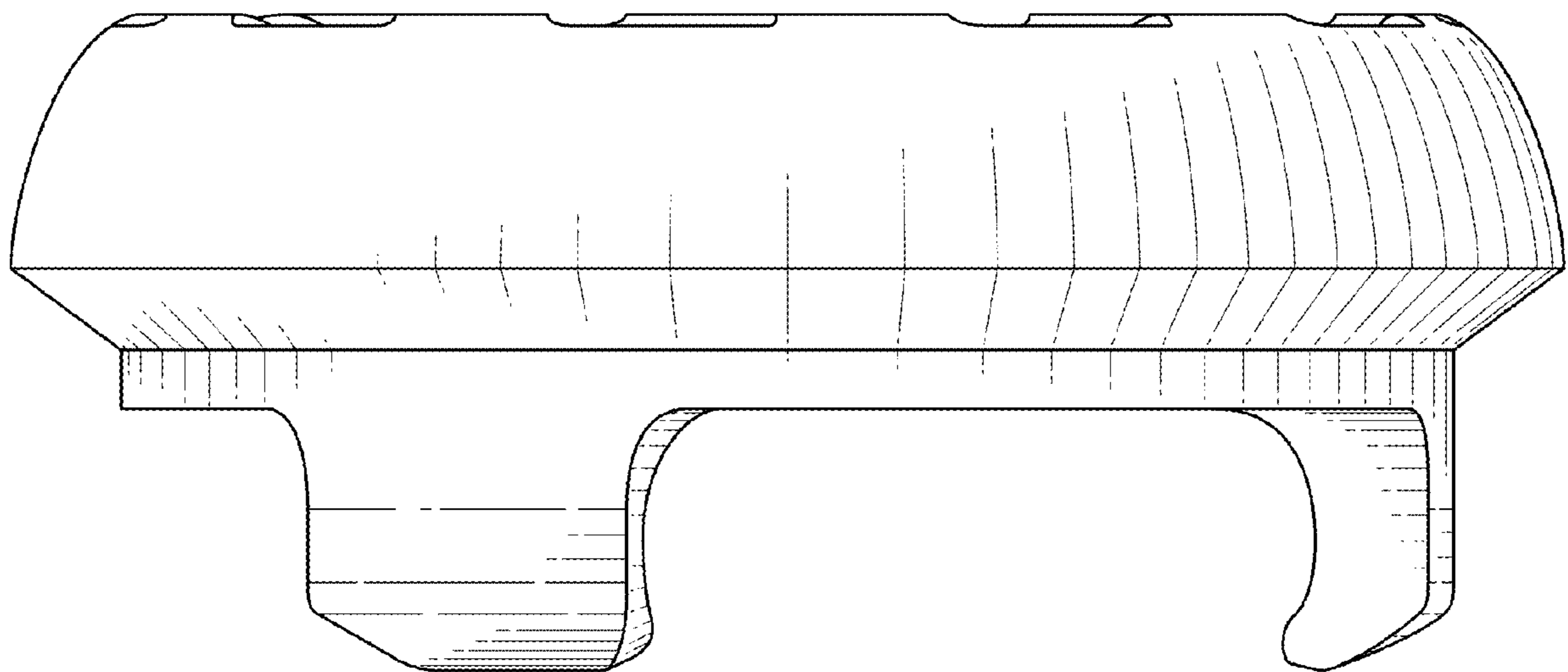


FIG. 7

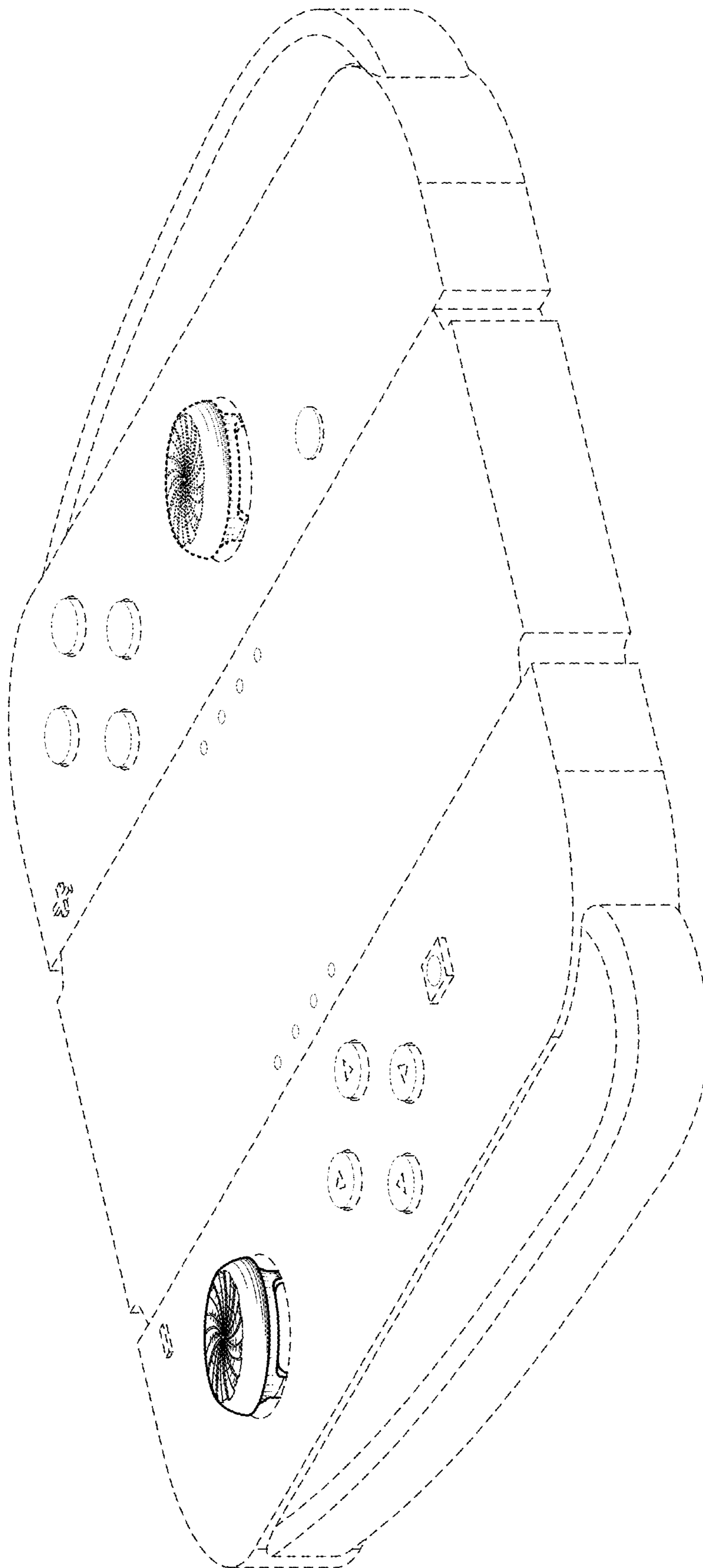


FIG. 8



FIG. 9

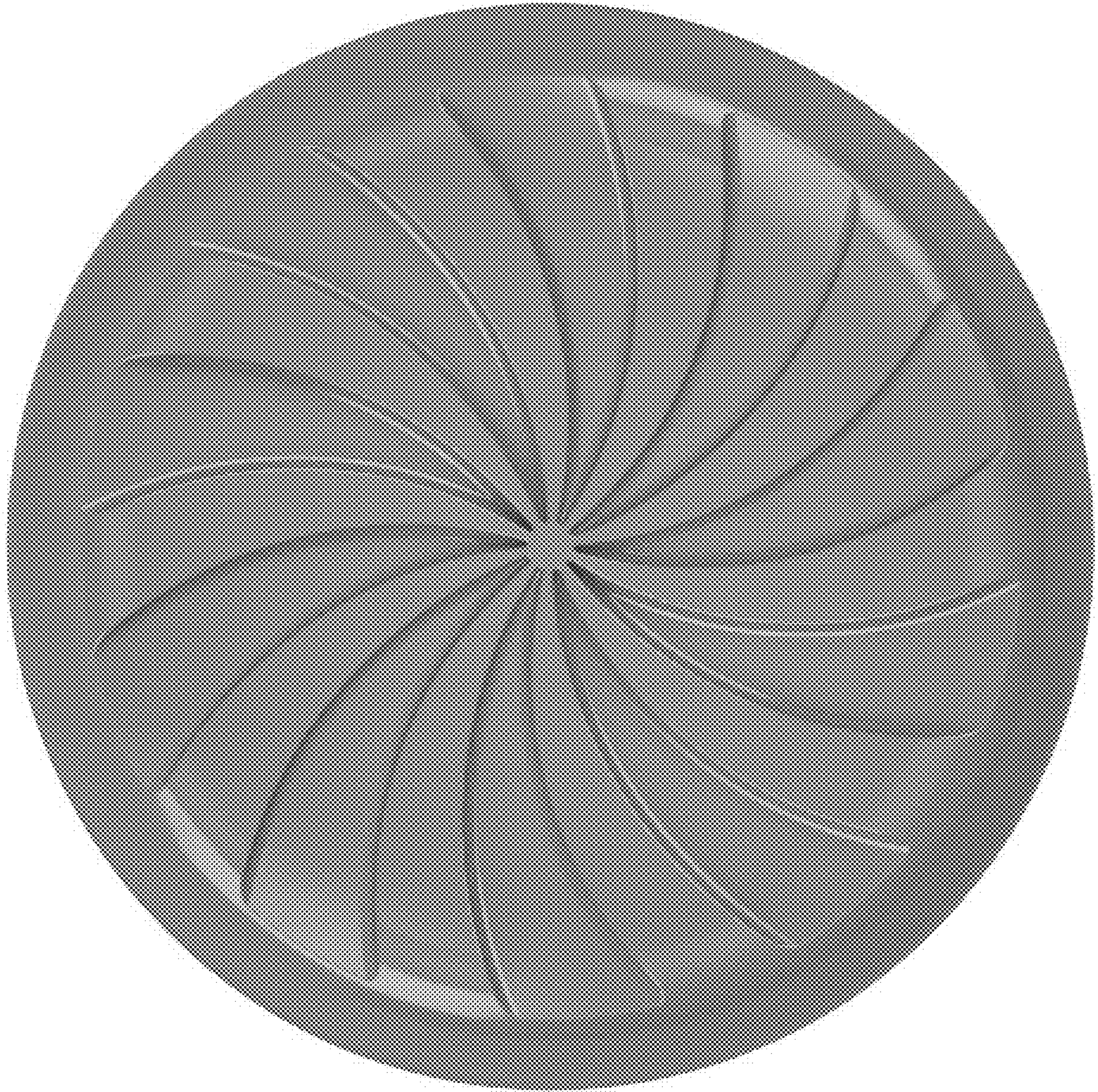


FIG. 10

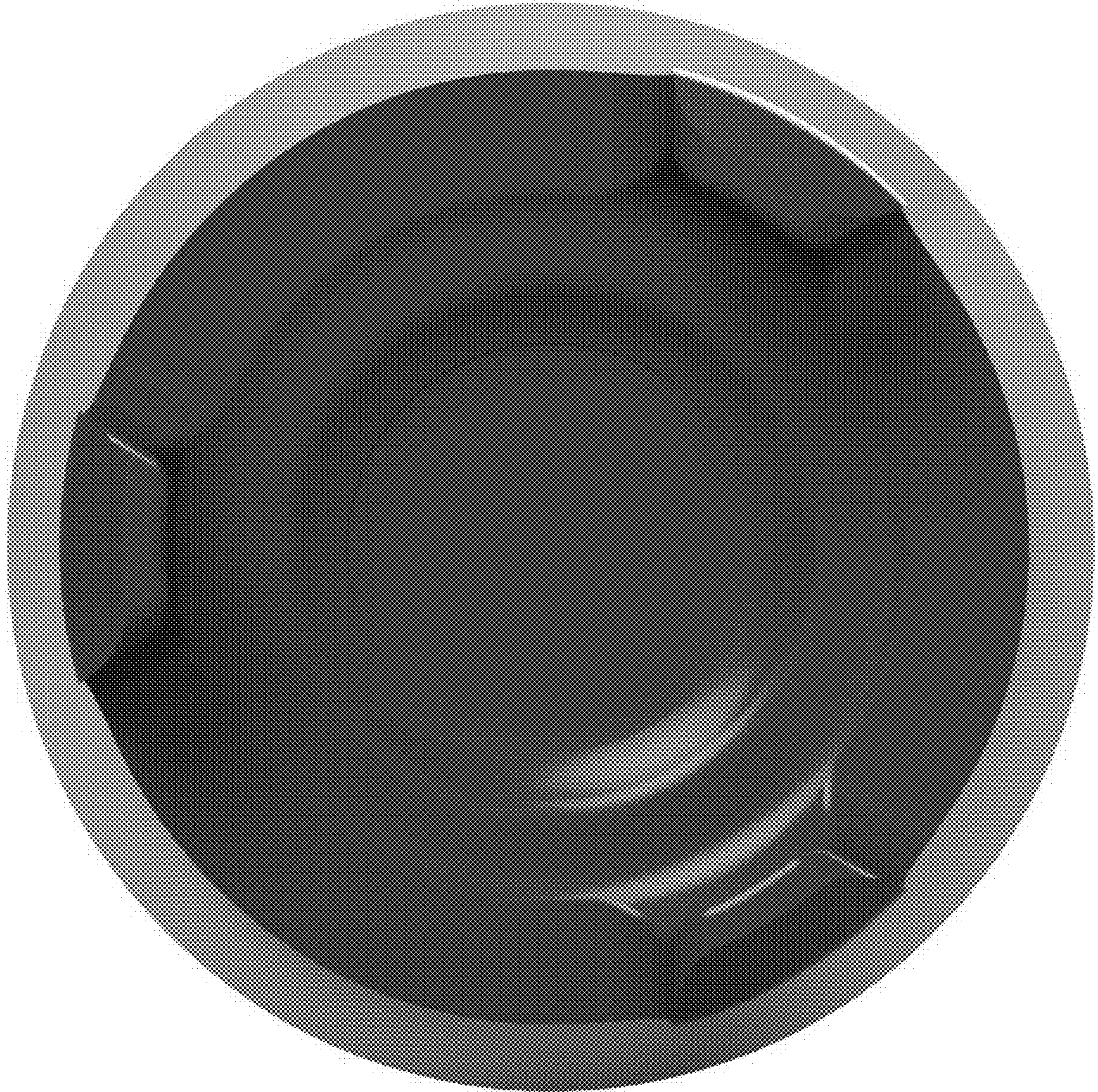


FIG. 11

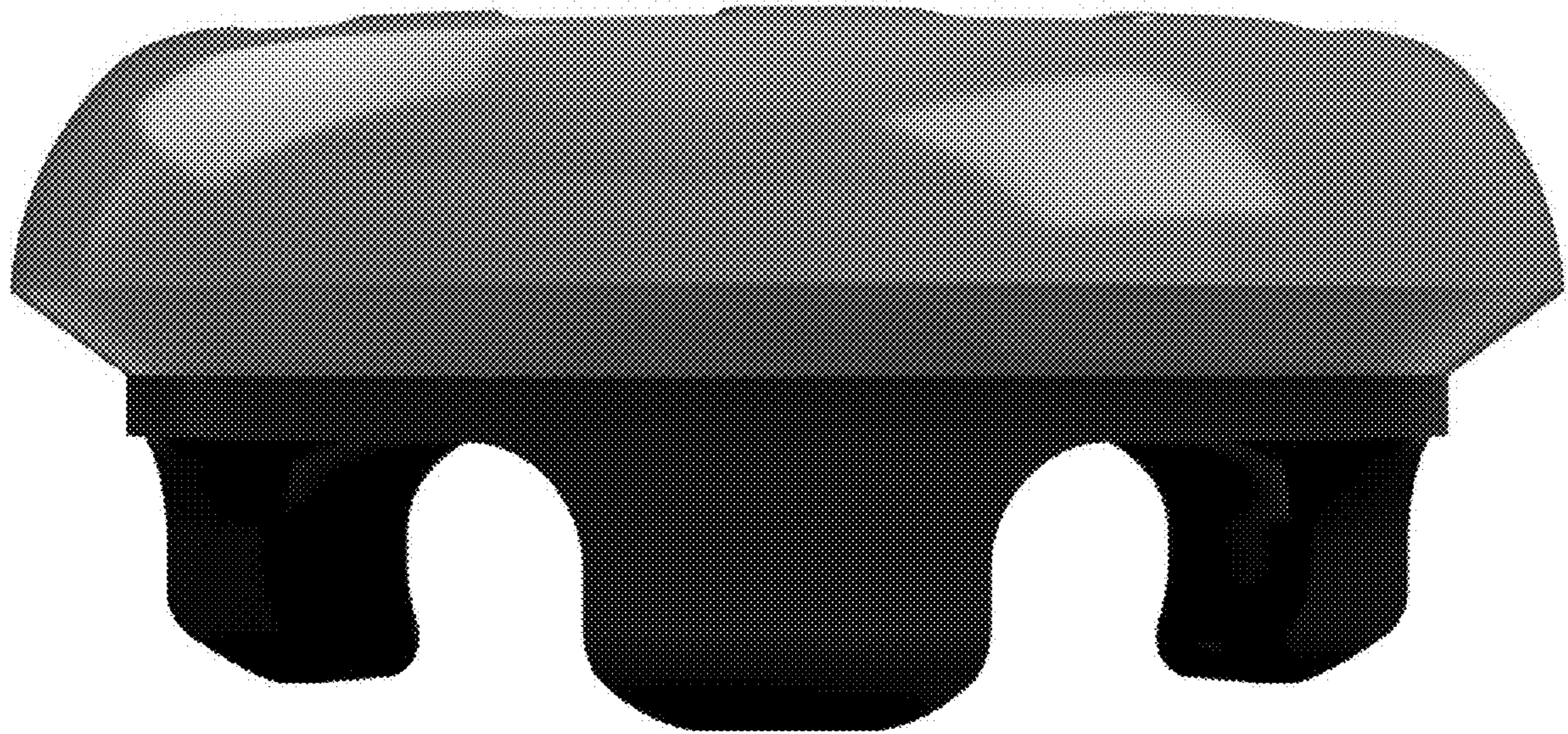


FIG. 12

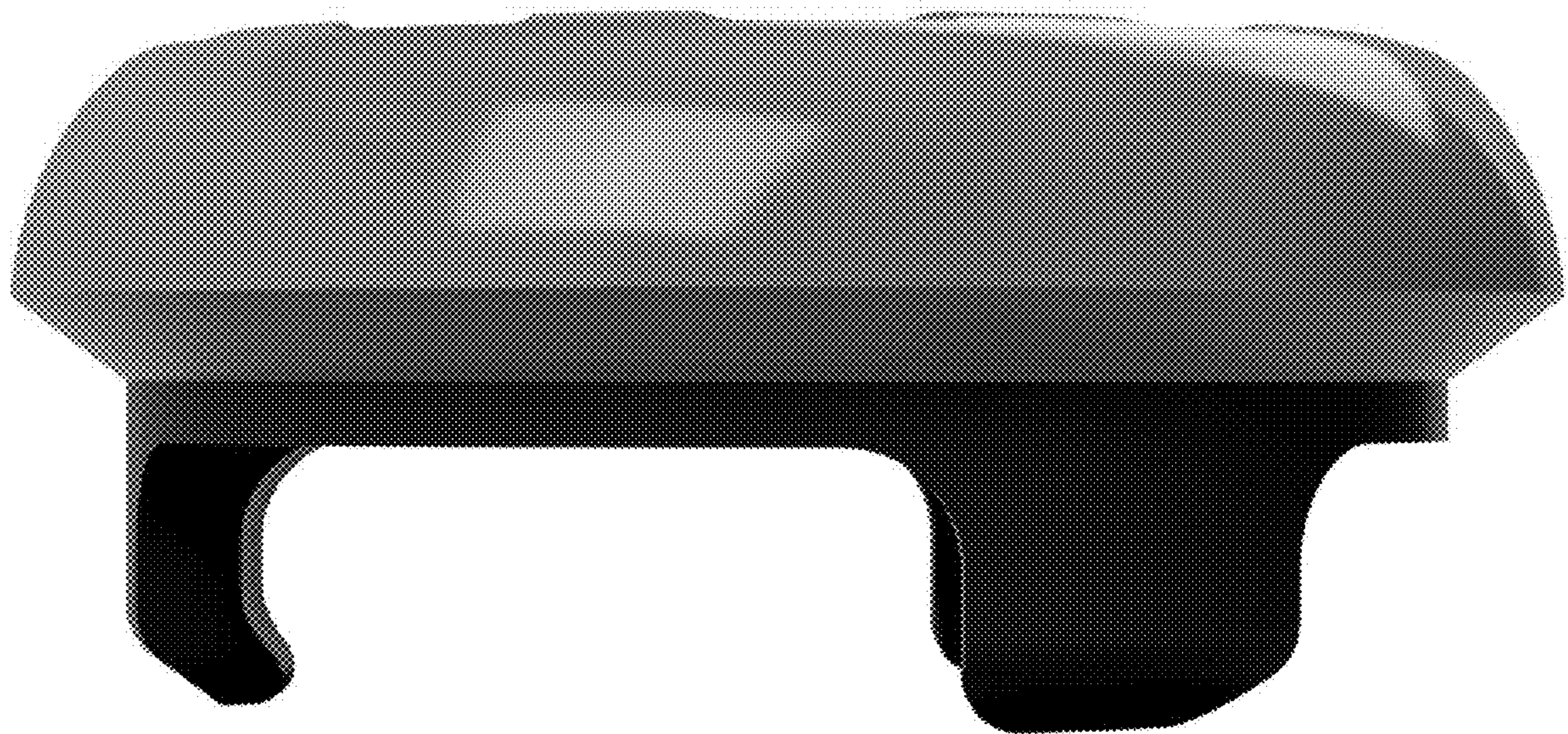


FIG. 13



FIG. 14

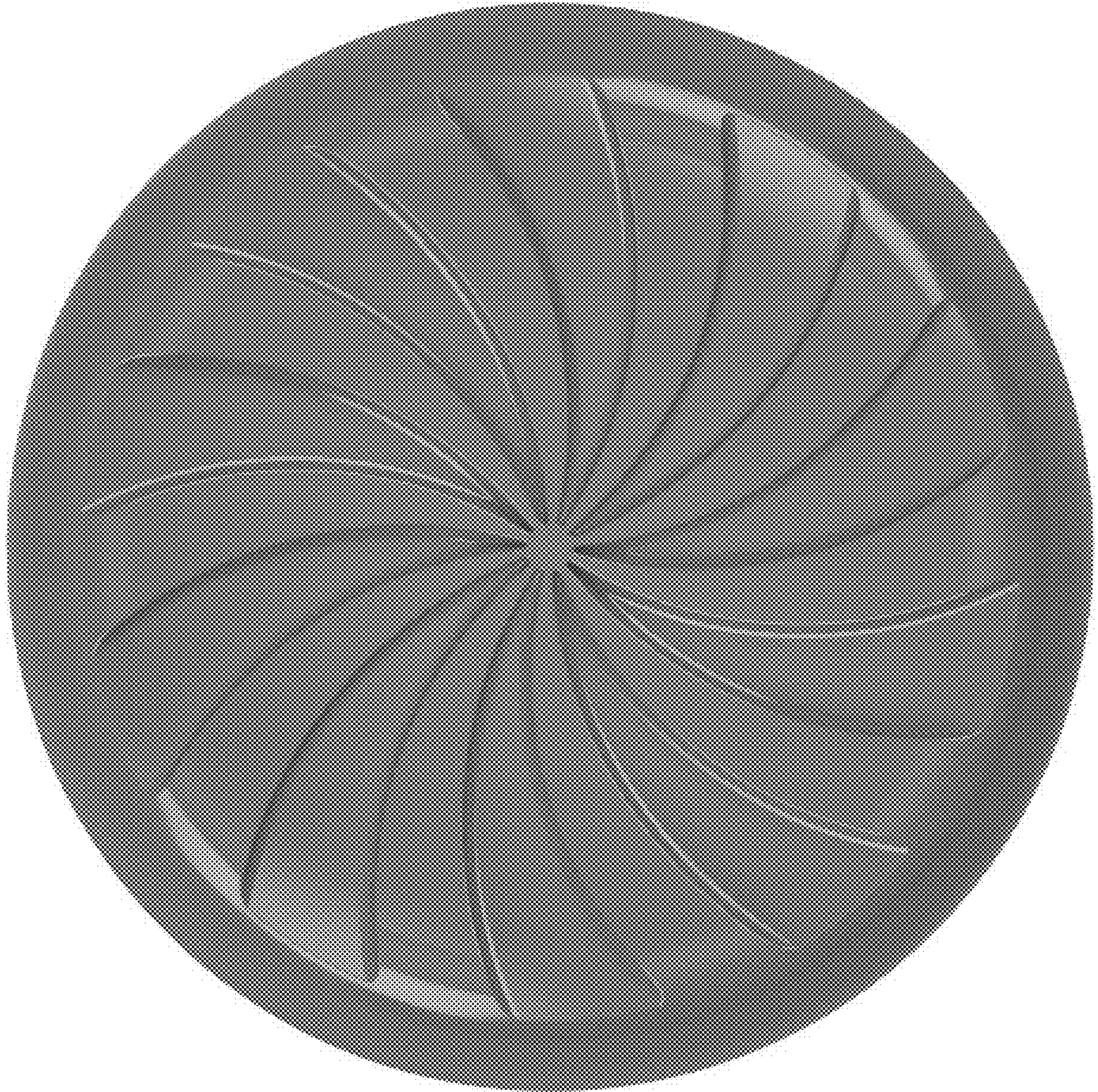


FIG. 15

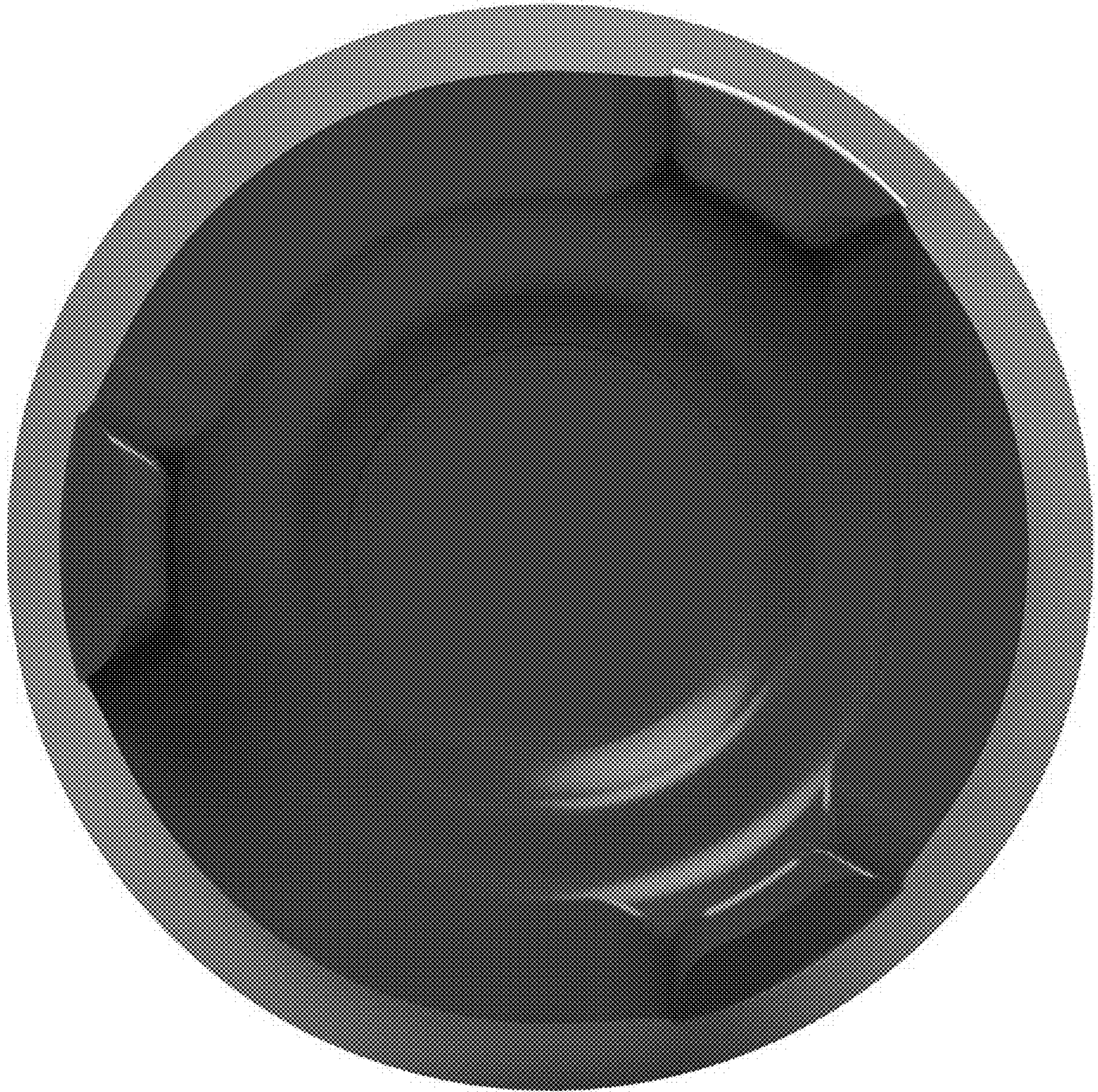


FIG. 16

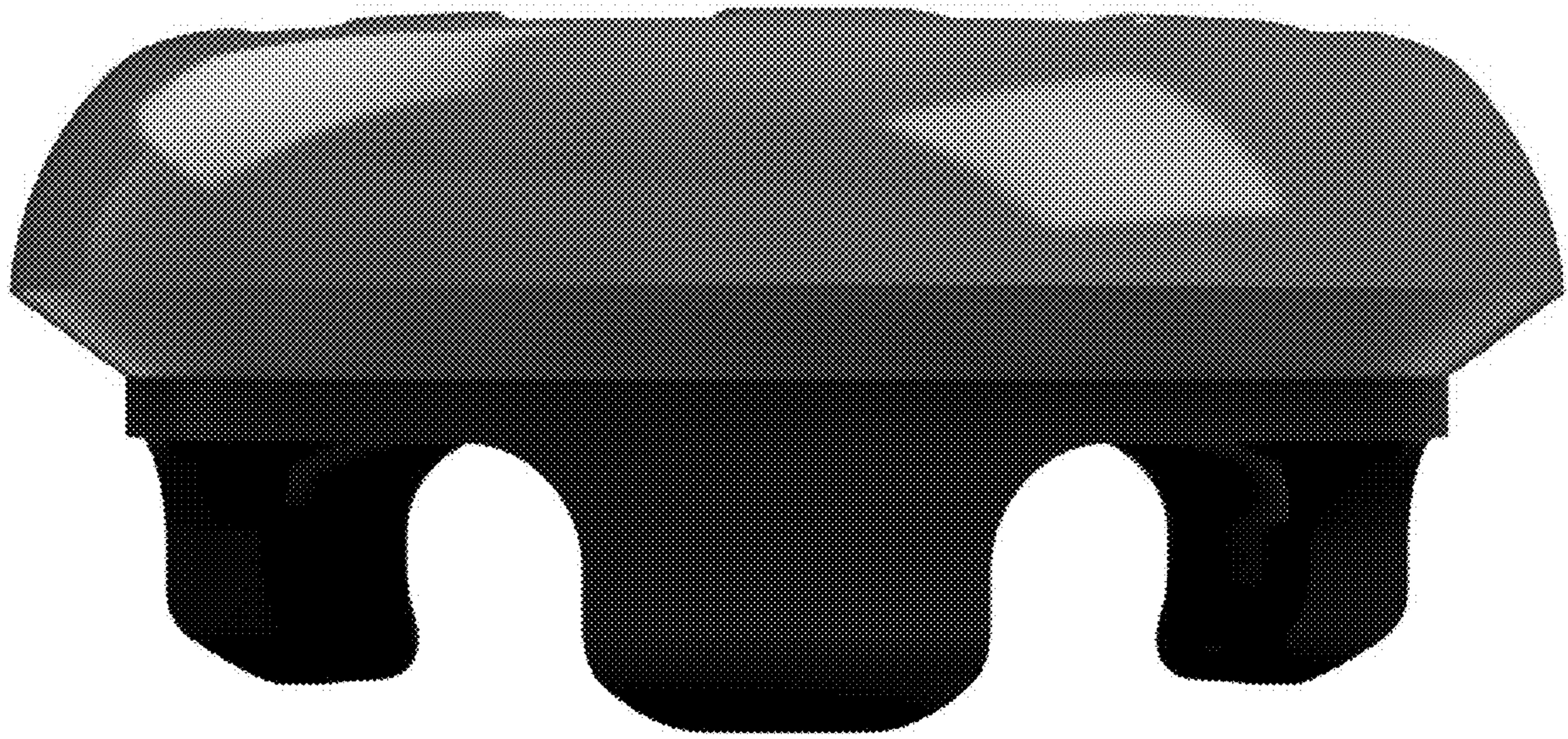


FIG. 17

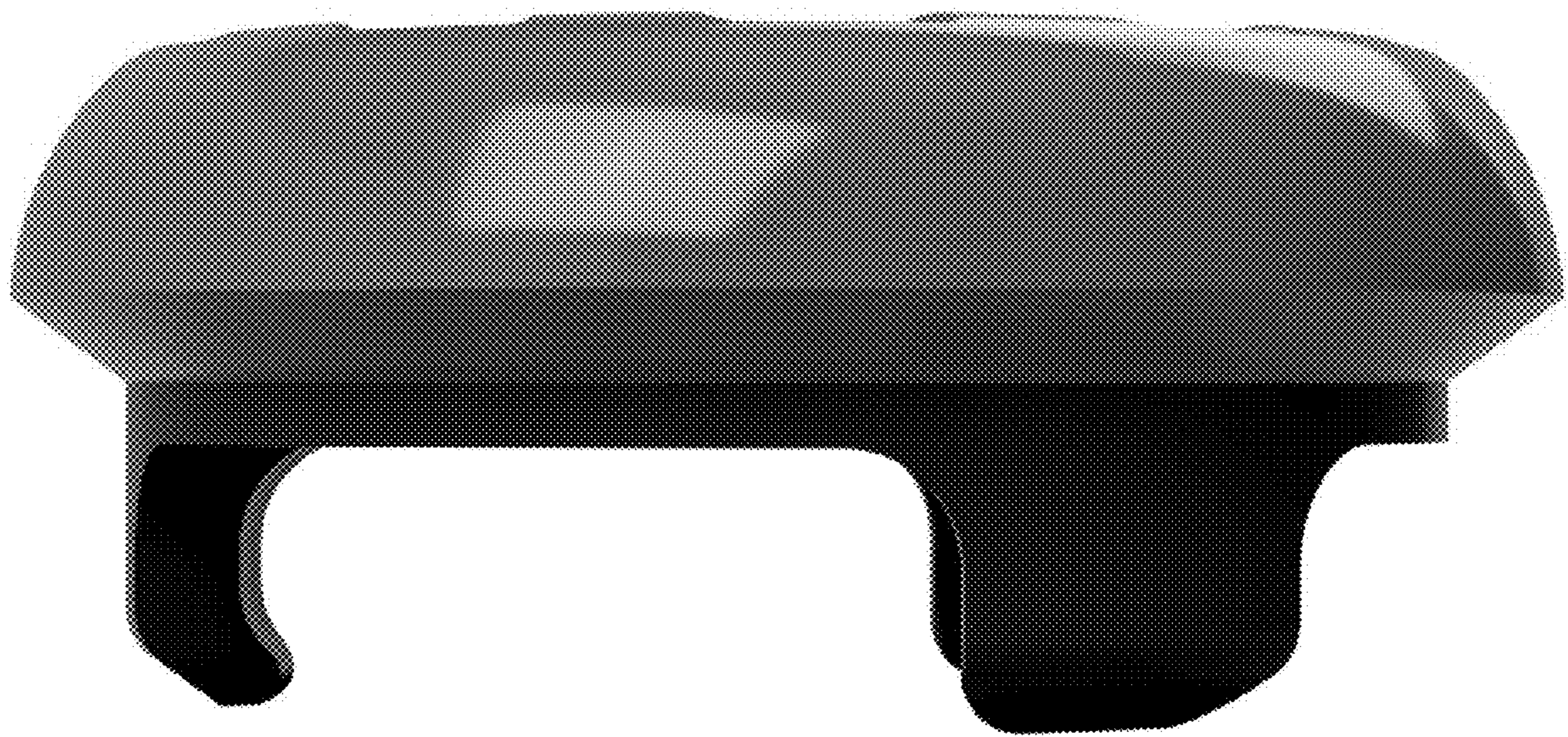


FIG. 18



FIG. 19

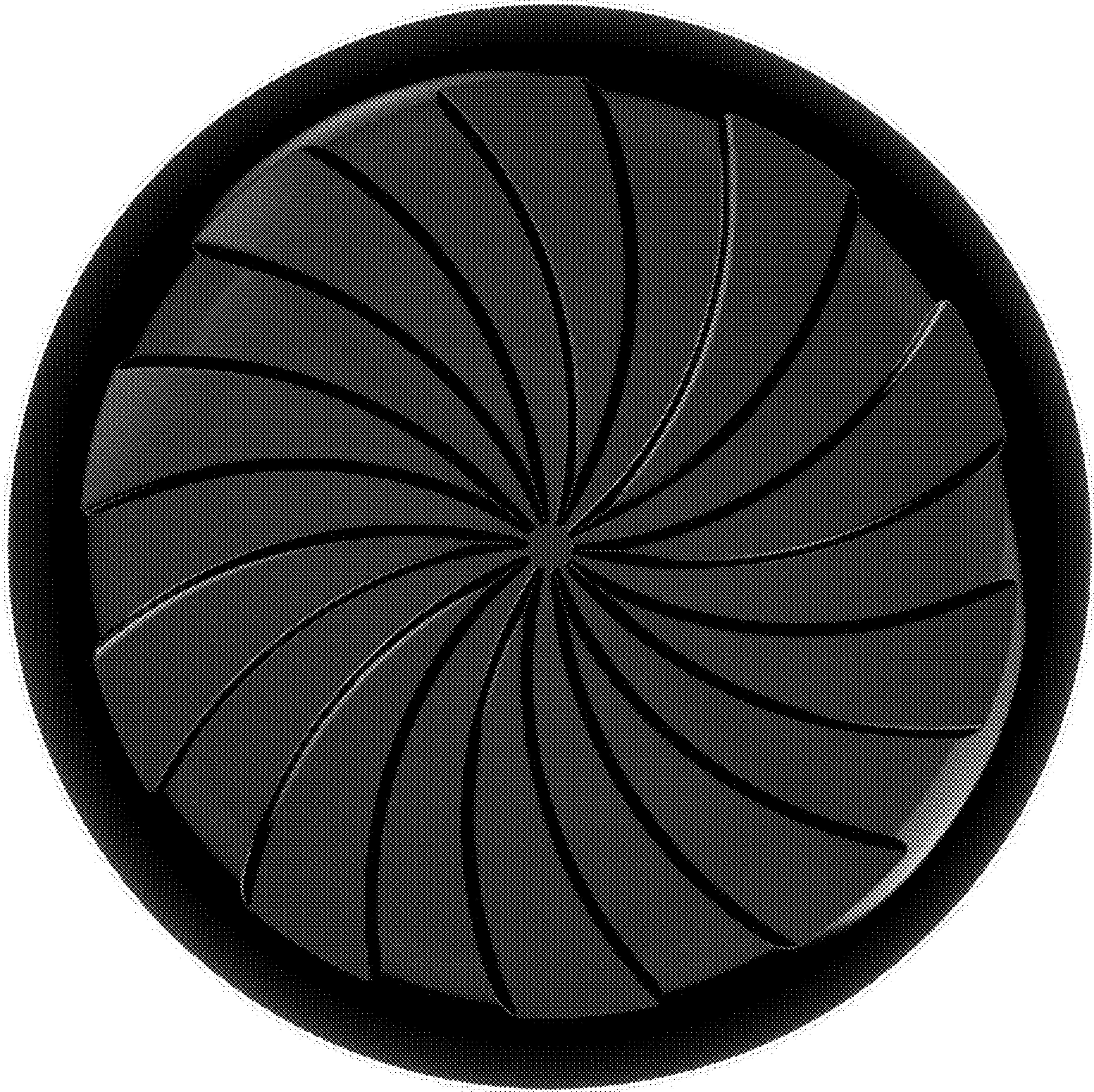


FIG. 20

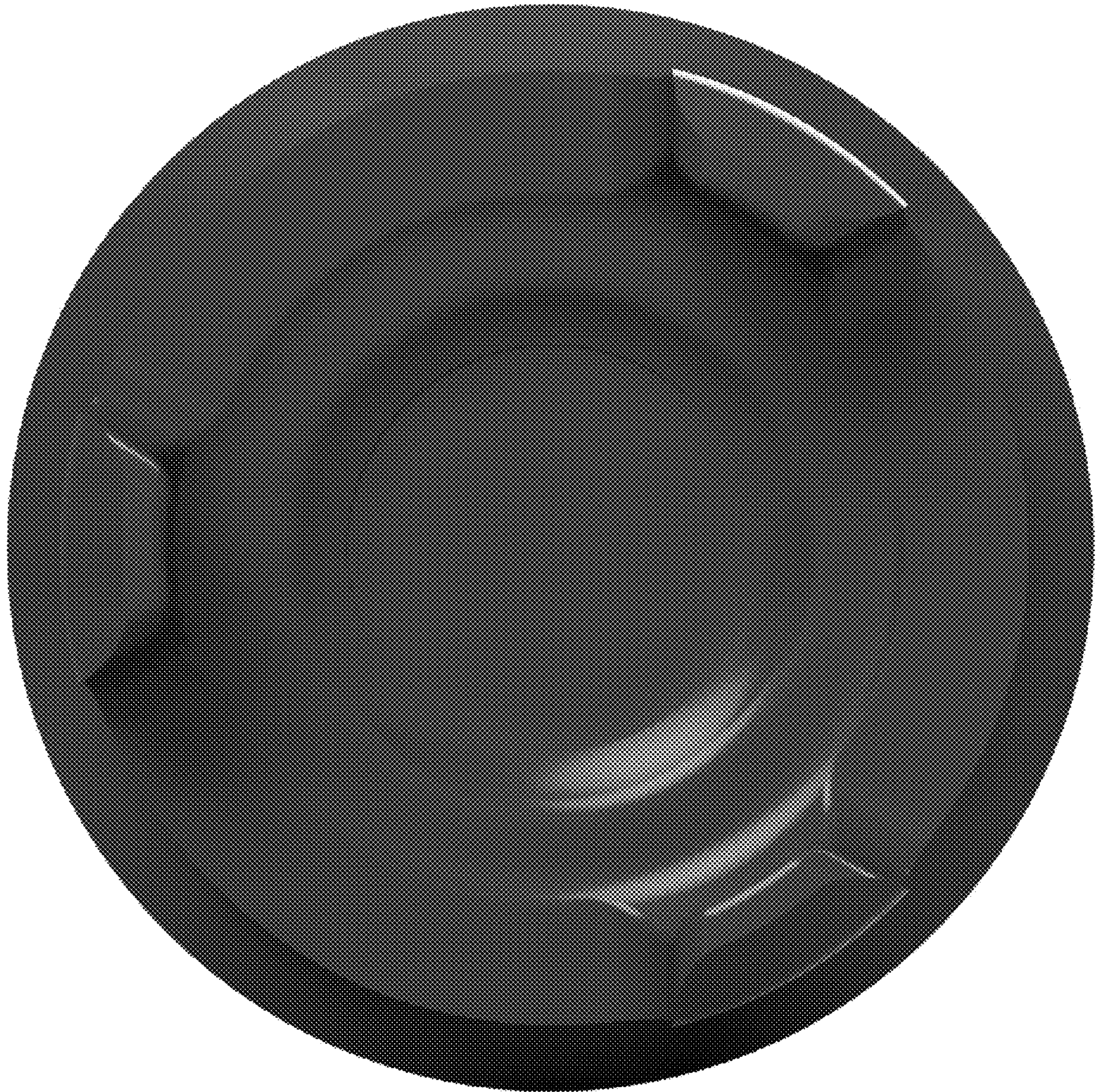


FIG. 21

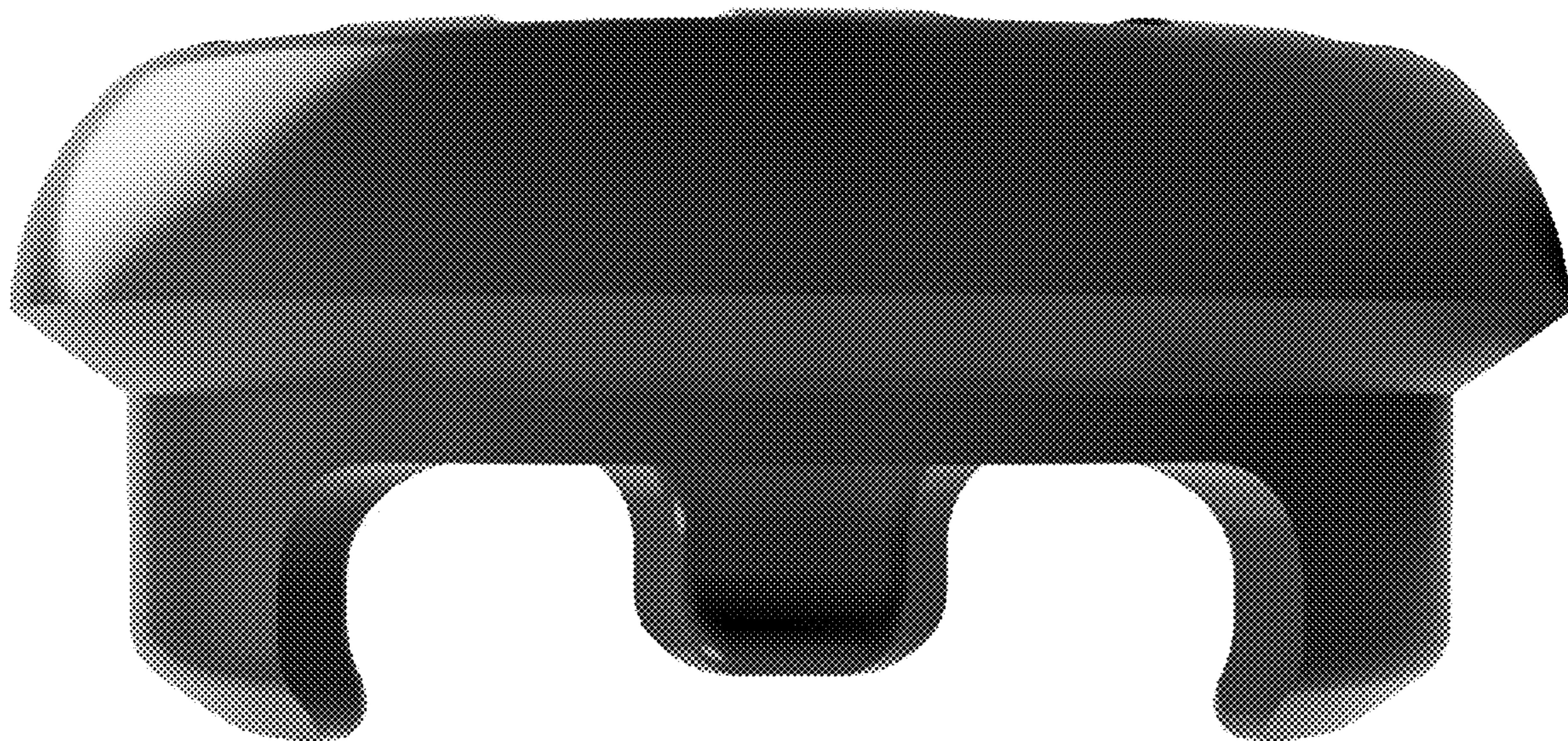


FIG. 22

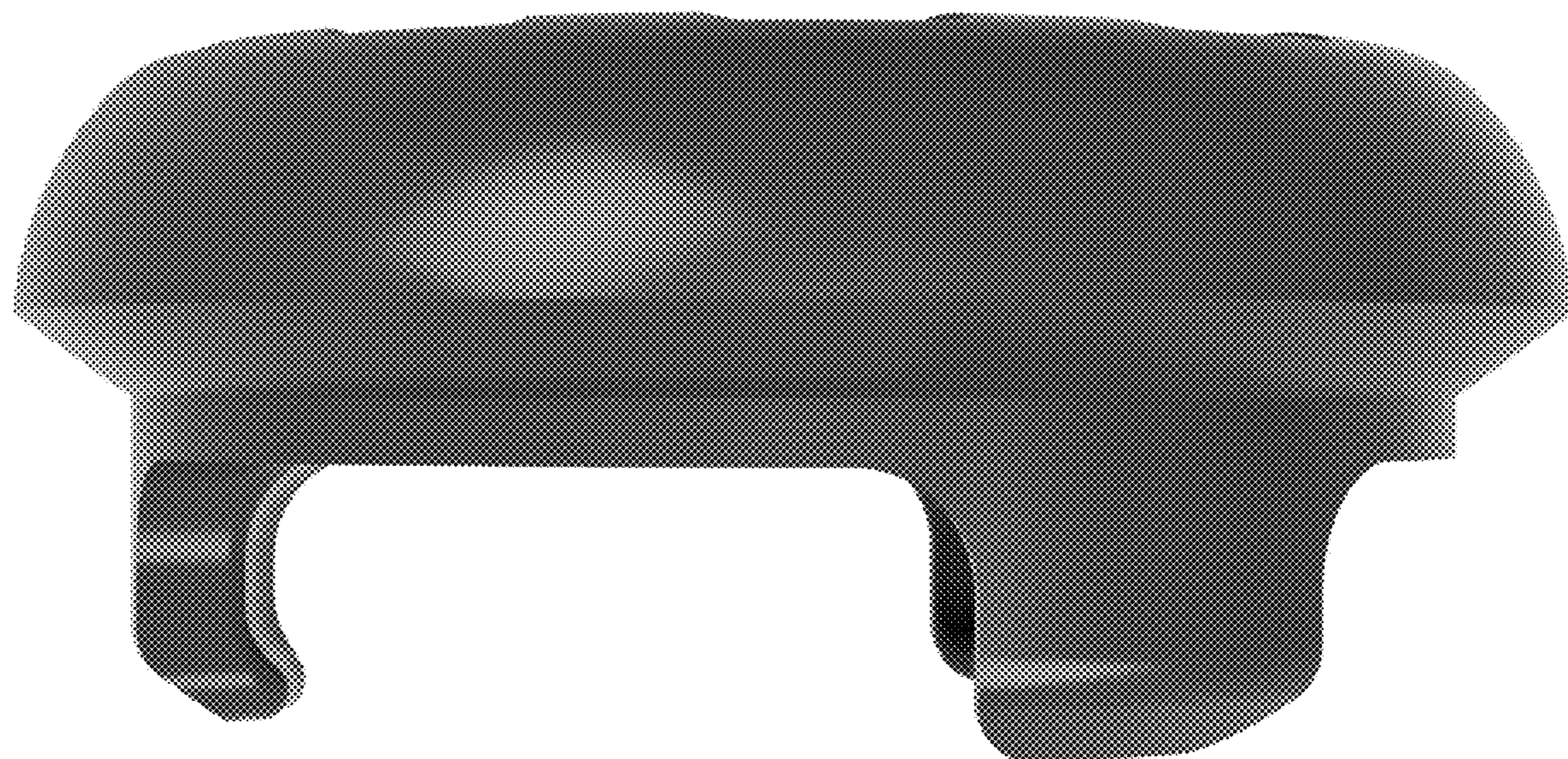


FIG. 23

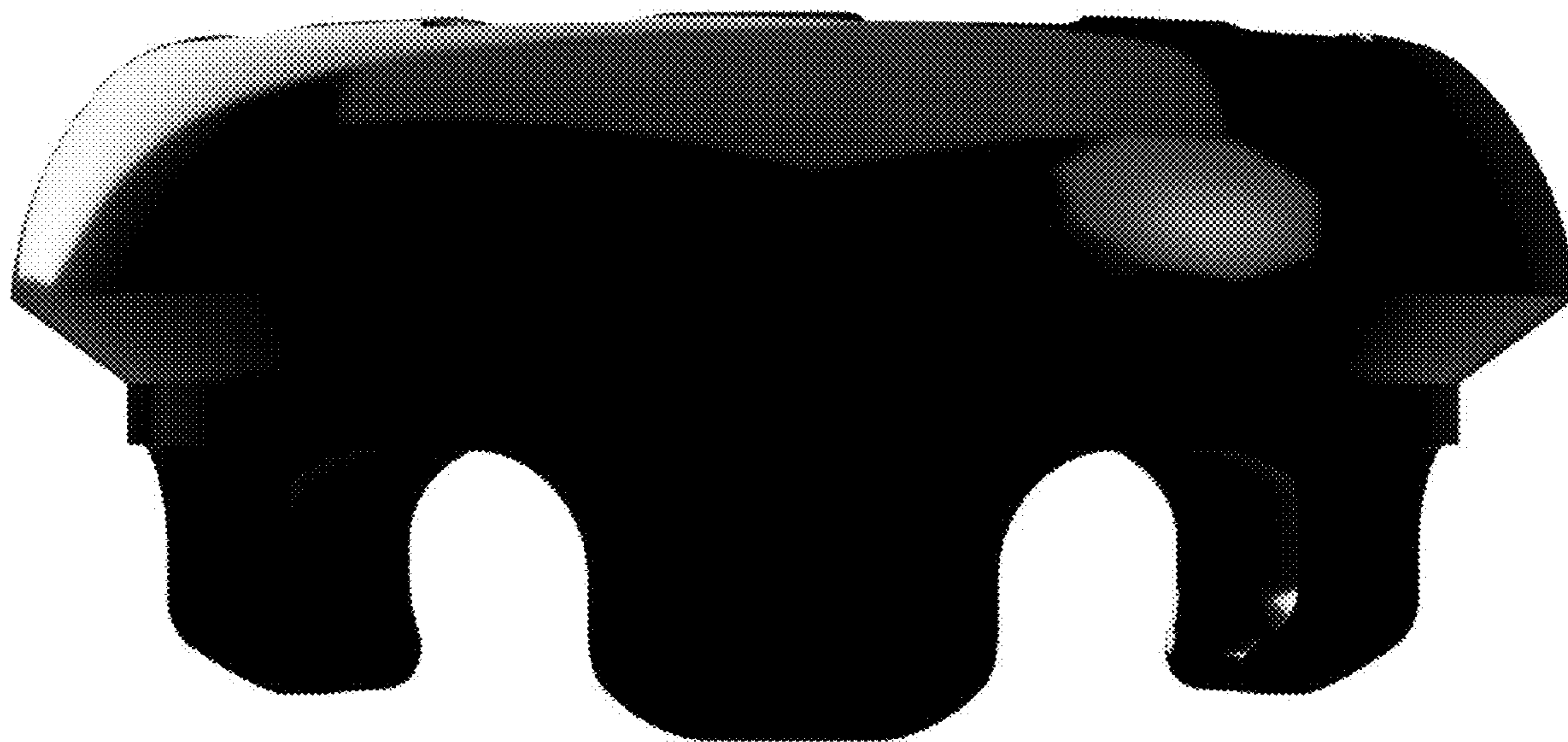


FIG. 24

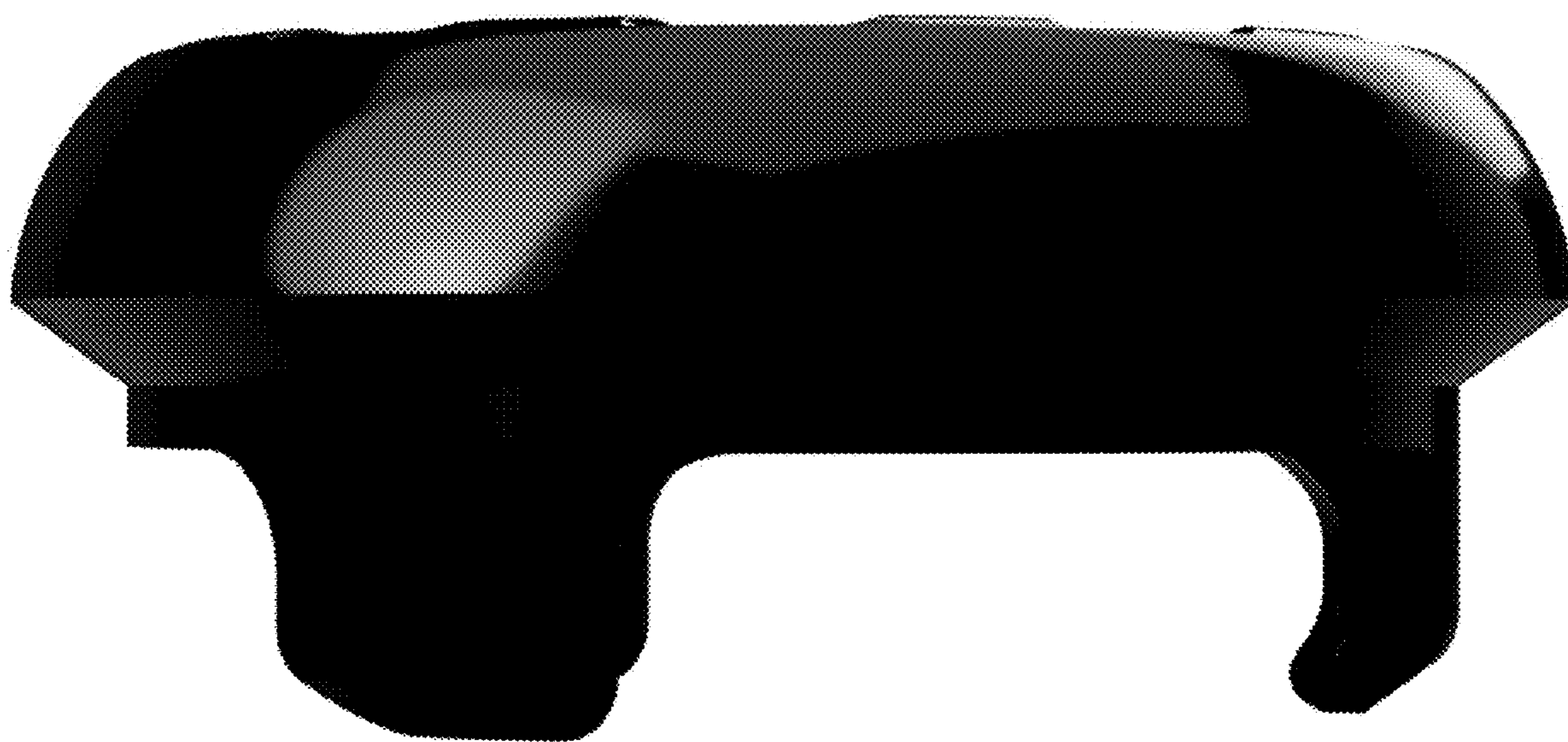


FIG. 25