



US00D900225S

(12) **United States Design Patent** (10) **Patent No.:** **US D900,225 S**
Morris et al. (45) **Date of Patent:** **** Oct. 27, 2020**

(54) **WRAPAROUND PERIPHERAL GRIP FOR A GAME CONTROLLER**

(71) Applicant: **GAMING GRIPS, INC.**, Steamboat Springs, CO (US)

(72) Inventors: **Michael Lee Morris**, Steamboat Springs, CO (US); **Michael Jeffrey Kozer**, Steamboat Springs, CO (US)

(73) Assignee: **GAMING GRIPS, INC.**, Steamboat Springs, CO (US)

(**) Term: **15 Years**

(21) Appl. No.: **29/615,446**

(22) Filed: **Aug. 29, 2017**

(51) **LOC (12) Cl.** **21-01**

(52) **U.S. Cl.**
USPC **D21/333**

(58) **Field of Classification Search**
USPC D21/324, 333; D14/160, 137, 138, 168, D14/174, 217, 218, 356, 387, 388, 389, D14/399-401, 412-416, 443, 449, 450, D14/454, 471, 474, 483, 496, 511; D13/164-168; D18/19; D12/174, 177, D12/190, 218

CPC A63F 13/24; A63F 13/02; A63F 13/06; A63F 13/98; A63F 9/00; A63F 9/24; A63F 11/00; H04N 21/00; H04N 7/14; G06F 1/1666; G06F 17/00; G06F 19/00; C09J 7/38

See application file for complete search history.

(56) **References Cited**

U.S. PATENT DOCUMENTS

6,923,443 B1 8/2005 Hughes, IV
D640,697 S * 6/2011 Lovoi D14/401
D669,078 S * 10/2012 Lovoi D14/401
D708,615 S 7/2014 Delrue et al.

D712,973 S * 9/2014 Sumii D14/401
D730,451 S 5/2015 Burgess et al.
D733,802 S 7/2015 Burgess et al.
D736,762 S * 8/2015 Lovoi D14/333
D736,860 S * 8/2015 Lovoi D14/401
9,210,819 B2 12/2015 Cohen

(Continued)

OTHER PUBLICATIONS

Francisco, Eric KontrolFreek's FPS Thumbsticks Work, Kind of Kontrol Freeks FPS; available at <https://www.inverse.com/article/9297-kontrolfreak-s-fps-thumbsticks-work-kind-of>; posted online Dec. 16, 2015.

(Continued)

Primary Examiner — Sandra Snapp

Assistant Examiner — Mehri Bajoul

(74) *Attorney, Agent, or Firm* — Jason H. Vick; Sheridan Ross, PC

(57) **CLAIM**

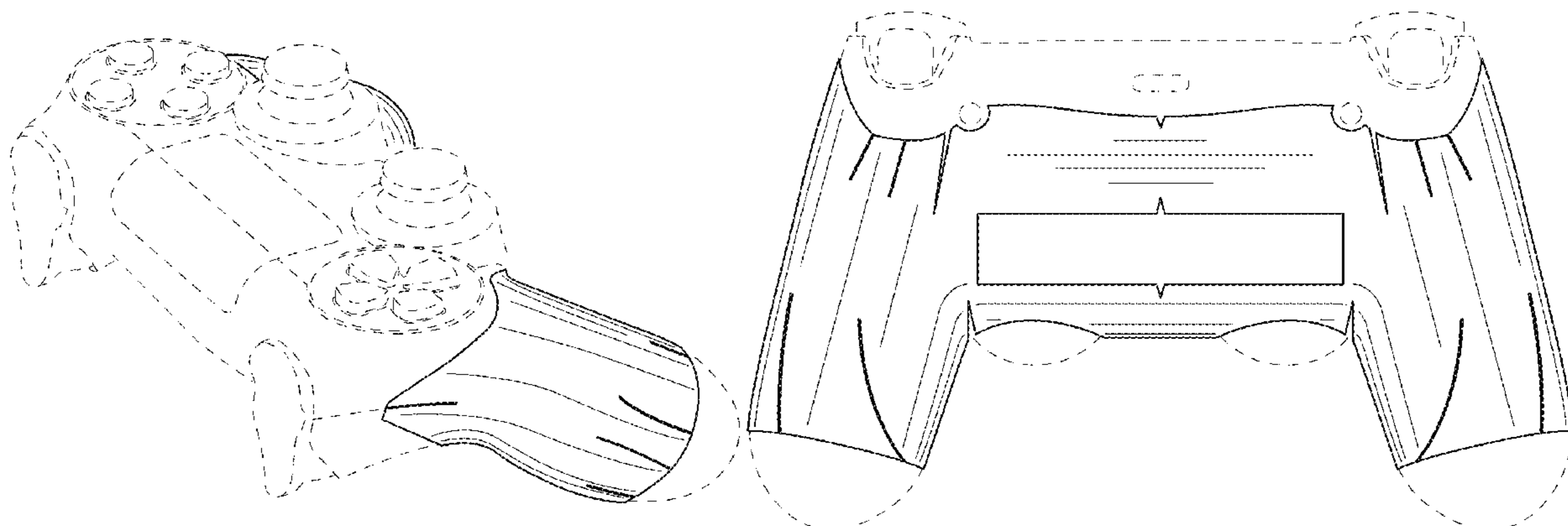
The ornamental design for the wraparound peripheral grip for a game controller, as shown and described.

DESCRIPTION

FIG. 1 is a perspective view of a wraparound peripheral grip for a game controller;
FIG. 2 is a front elevation view thereof;
FIG. 3 is a rear elevation view thereof;
FIG. 4 is a right elevation view thereof;
FIG. 5 is a left elevation view thereof;
FIG. 6 is a top plan view thereof;
FIG. 7 is a bottom plan view thereof; and,
FIG. 8 is a rear elevation view that shows the wraparound peripheral grip for a game controller in an unwrapped position.

The broken lines in the drawings illustrate portions of the wraparound peripheral grip for a game controller which form no part of the claimed design.

1 Claim, 8 Drawing Sheets



(56)

References Cited

U.S. PATENT DOCUMENTS

D768,786 S * 10/2016 Seflic D14/401
D780,180 S 2/2017 Ironmonger et al.
D787,606 S * 5/2017 Coe D21/333
D816,674 S 5/2018 Wu
2002/0010020 A1 1/2002 Johnson
2005/0022924 A1 2/2005 Blackburn
2005/0075172 A1 4/2005 Coleman
2005/0275165 A1 12/2005 Hussaini et al.
2006/0154029 A1 7/2006 Antonini
2006/0198978 A1 9/2006 Antonini
2009/0162651 A1 6/2009 Rios et al.
2014/0125009 A1 5/2014 Sternberg
2018/0154252 A1 * 6/2018 Mistry A63F 13/98
2019/0054382 A1 * 2/2019 Morris A63F 13/98

OTHER PUBLICATIONS

Kontrol Freek Controller Performance Grips for PS4 & Xbox One!;
available at <https://www.youtube.com/watch?v=Jh5galxsRWQ>; posted
Oct. 7, 2017.

Ex Parte Quayle Action for U.S. Appl. No. 29/615,415, mailed Jun.
28, 2019.

Notice of Allowance for U.S. Appl. No. 29/615,415, dated Oct. 11,
2019.

Office Action for U.S. Appl. No. 15/998,454, dated Dec. 30, 2019.

Notice of Allowance for U.S. Appl. No. 15/998,454, dated Mar. 25,
2020.

* cited by examiner

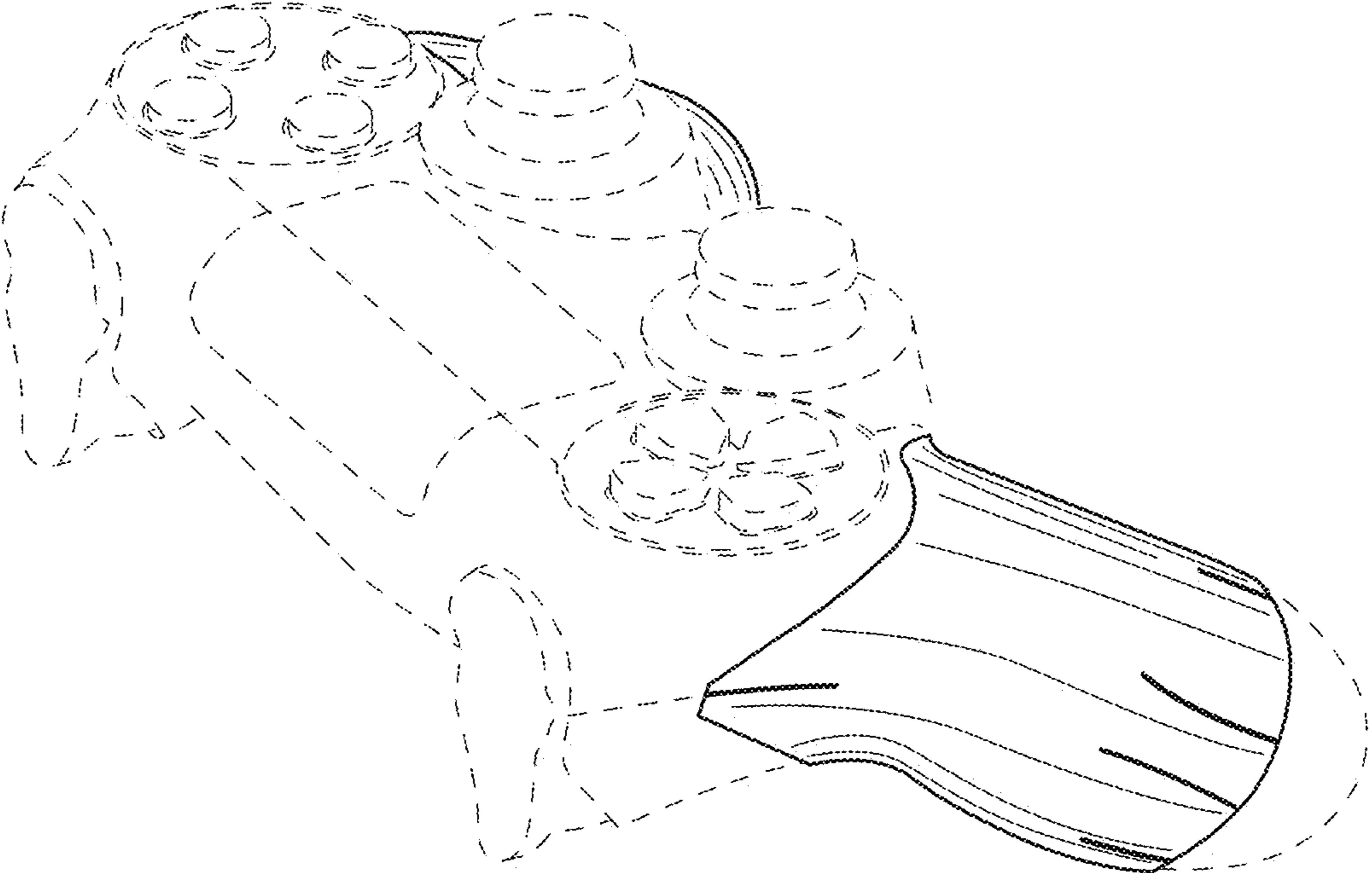


FIG.1

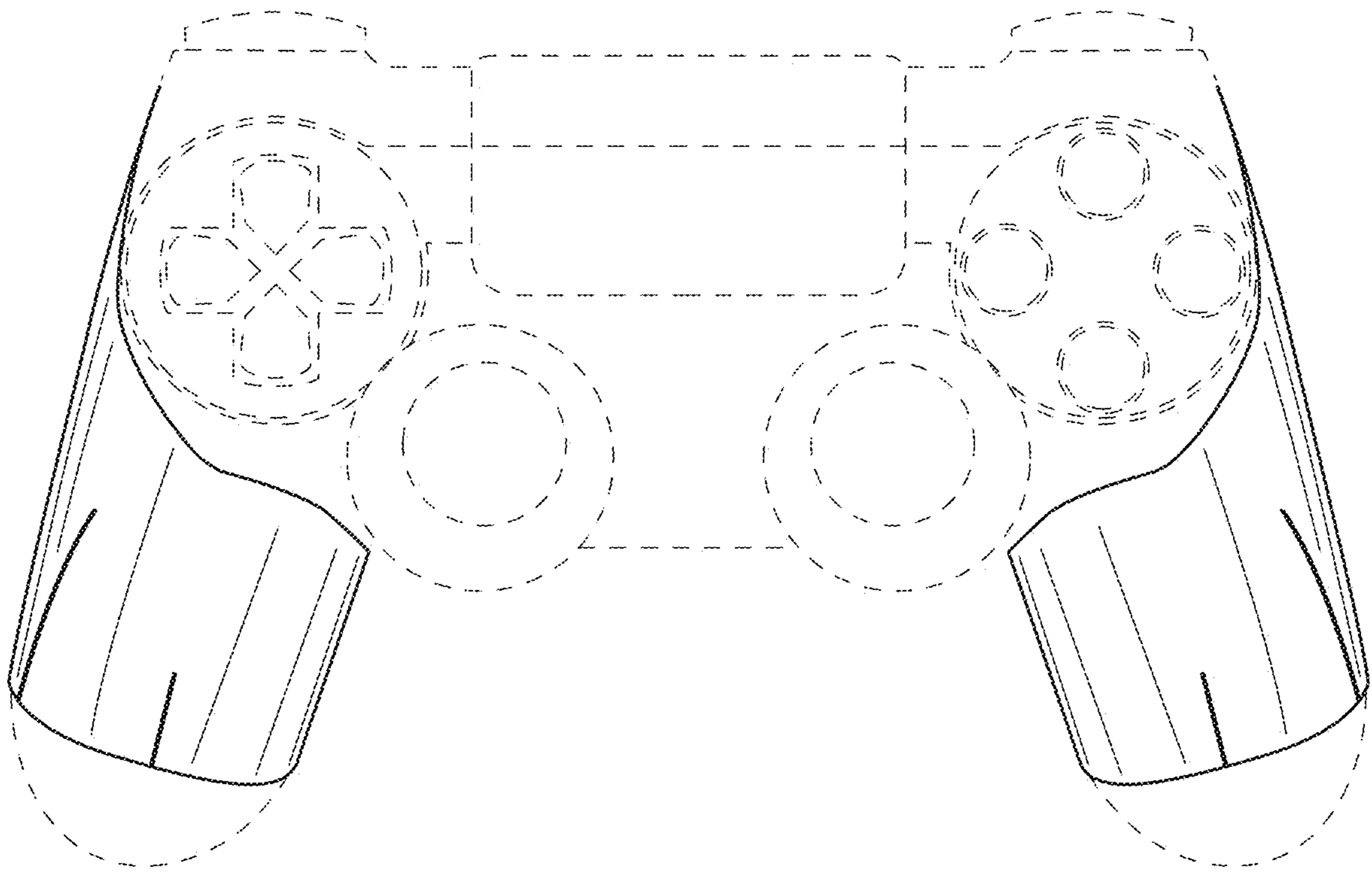


FIG.2

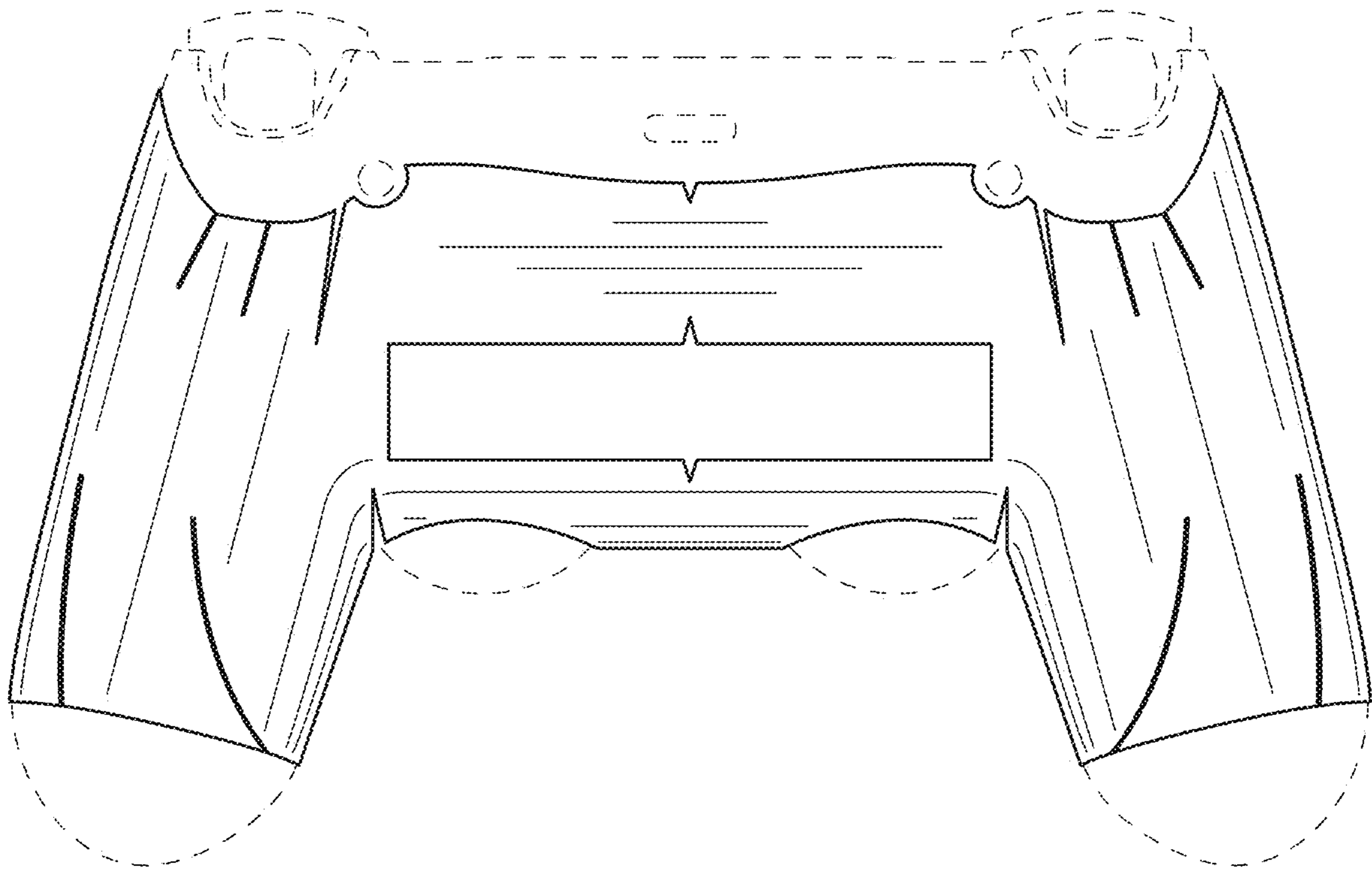


FIG.3

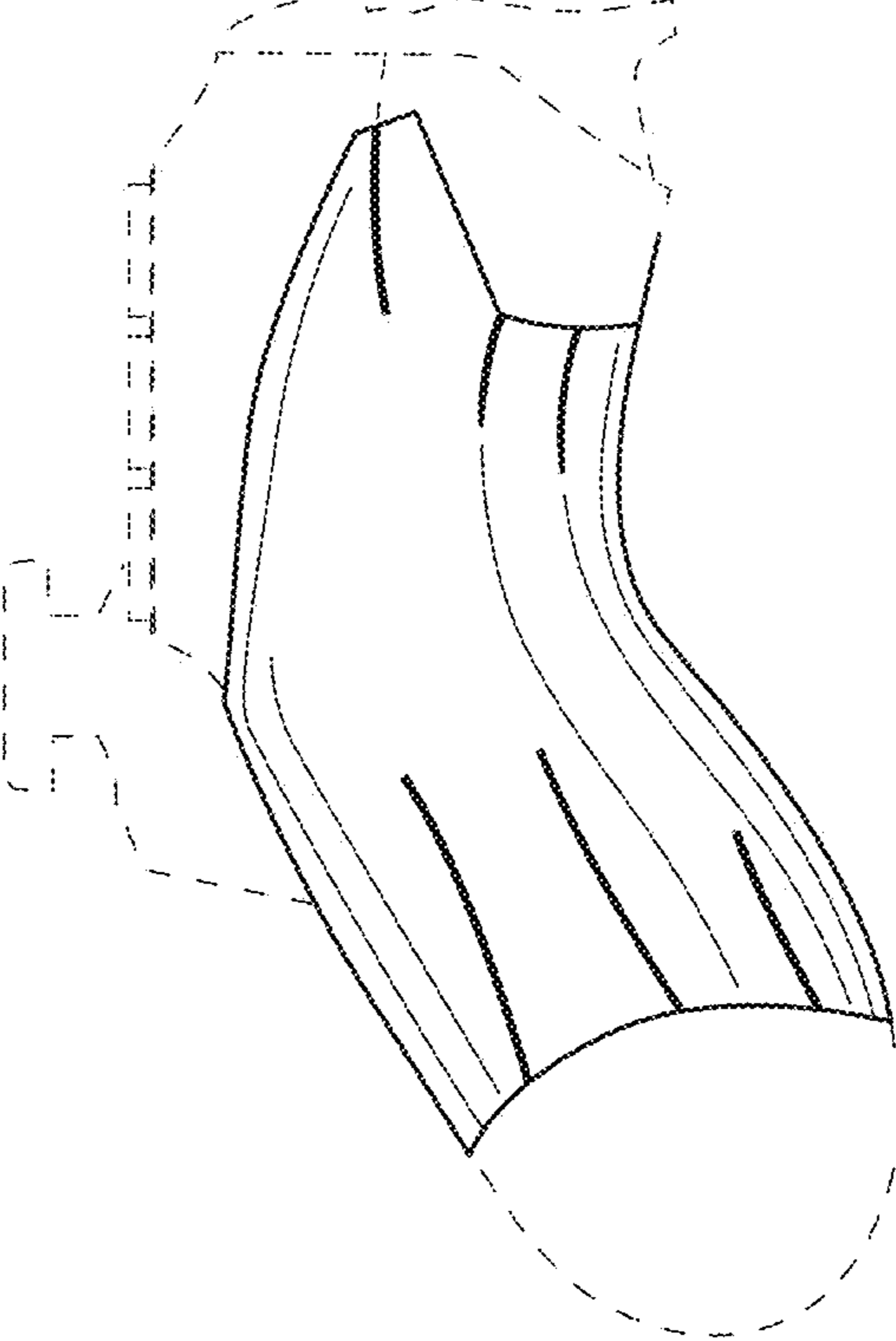


FIG.4

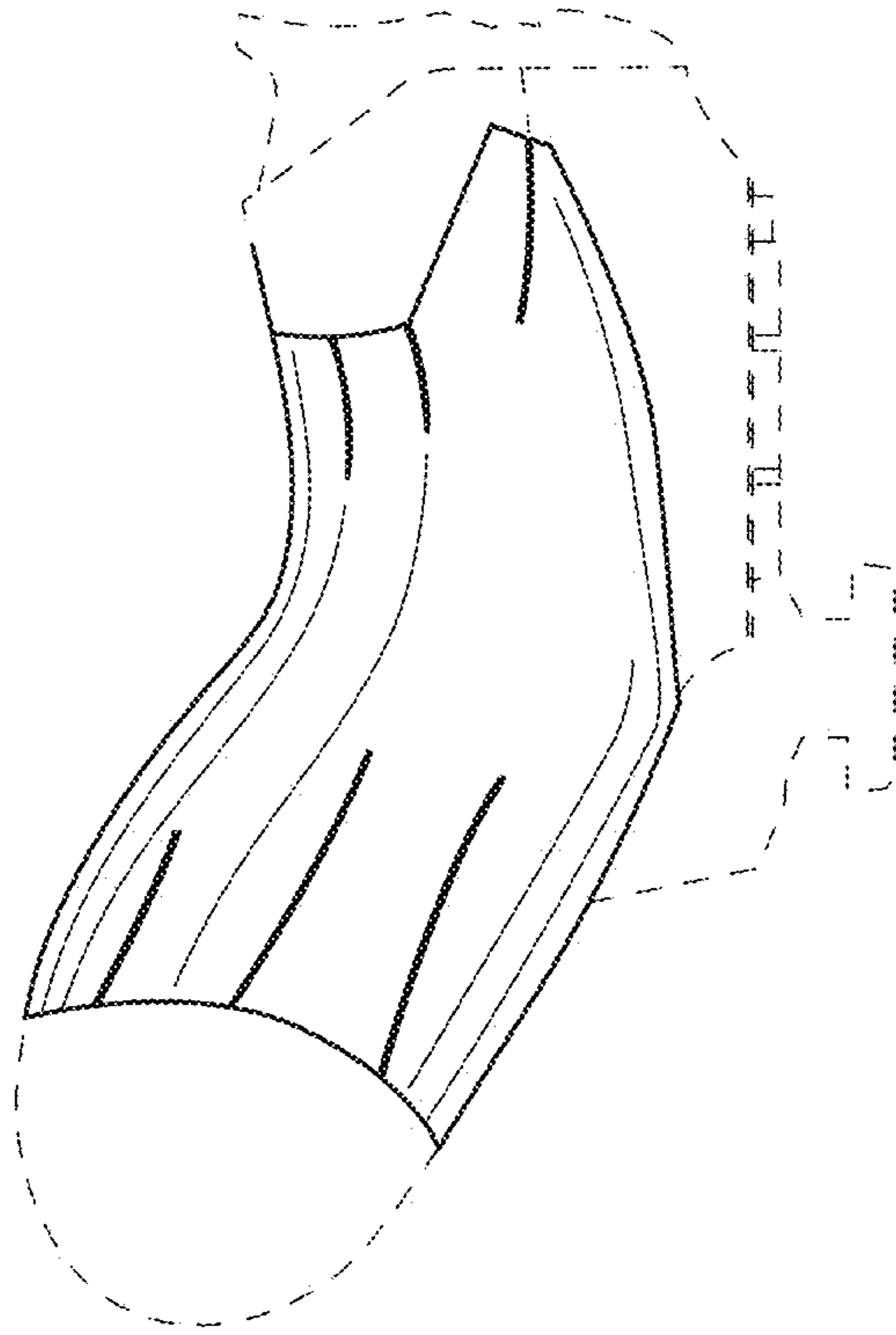


FIG.5

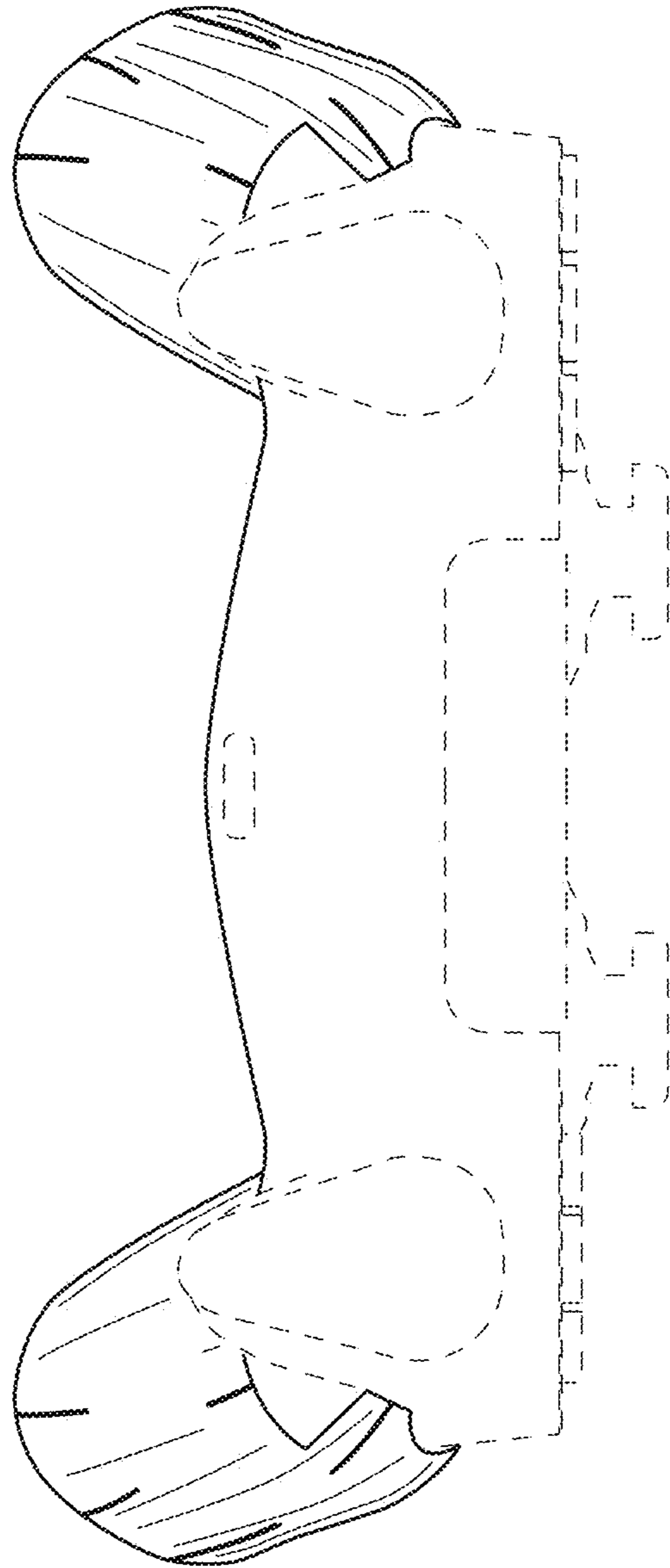


FIG. 6

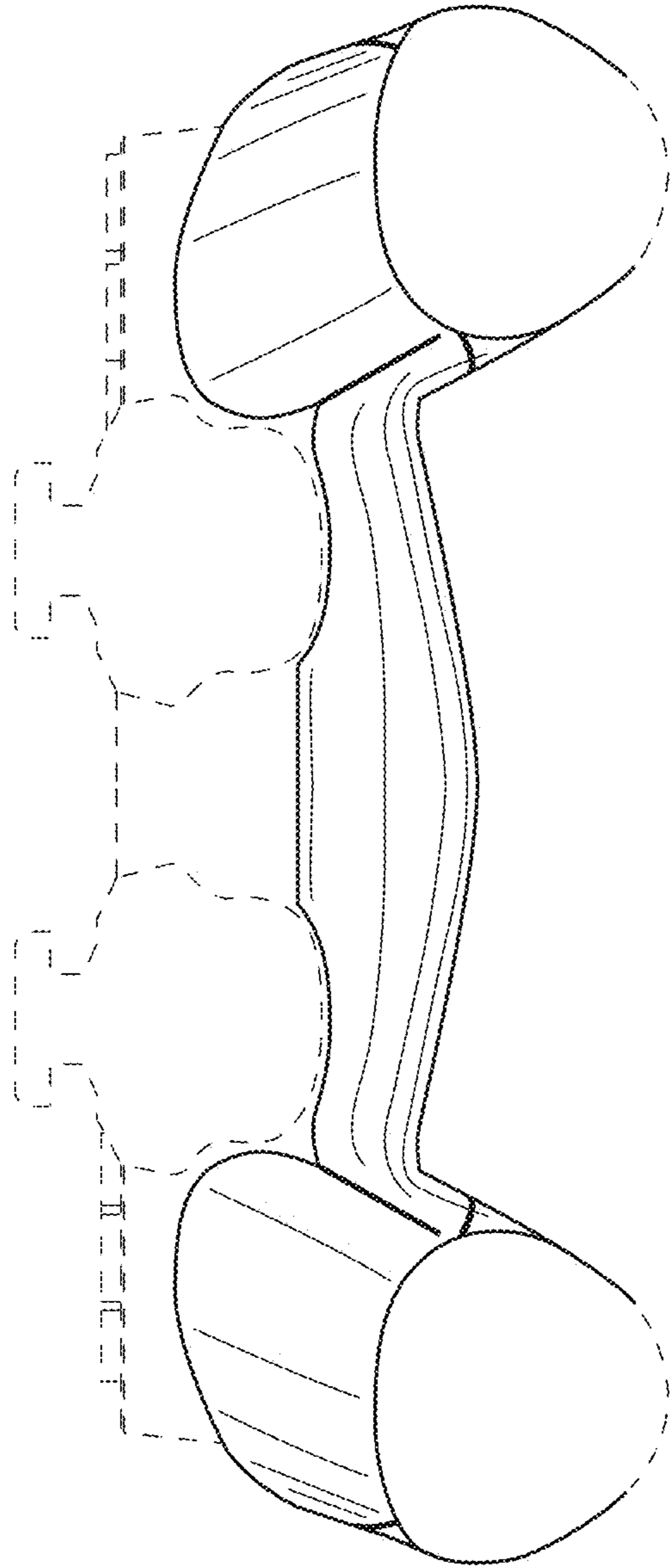


FIG.7

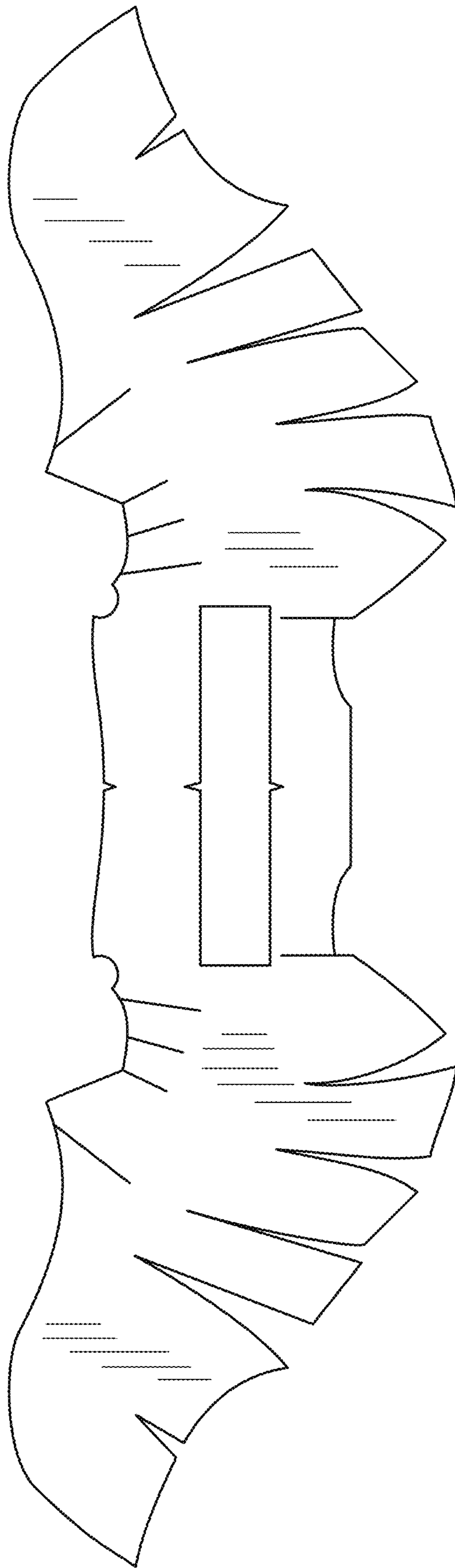


FIG.8