



US00D900224S

(12) **United States Design Patent** (10) **Patent No.:** **US D900,224 S**
Chen (45) **Date of Patent:** **** Oct. 27, 2020**

(54) **DART BOARD**
(71) Applicant: **Wei Chen**, Jiujiang (CN)
(72) Inventor: **Wei Chen**, Jiujiang (CN)
(**) Term: **15 Years**
(21) Appl. No.: **29/739,281**
(22) Filed: **Jun. 24, 2020**
(51) **LOC (12) Cl.** **21-01**
(52) **U.S. Cl.**
USPC **D21/307**
(58) **Field of Classification Search**
USPC D10/46.1; D21/300-302, 307, 308, 334,
D21/335, 363, 365, 370, 385-389, 392,
D21/397
CPC A63B 71/06; A63B 71/0608; F41J 3/00;
F41J 3/0009; F41J 3/0014; F41J
3/0033-0057; F41J 5/14
See application file for complete search history.

D400,932 S * 11/1998 Yiu D21/307
5,829,755 A * 11/1998 Chen F41J 3/02
273/408
D403,361 S * 12/1998 Huang D21/307
D411,256 S * 6/1999 Chen D21/307
5,954,339 A * 9/1999 Yiu F41J 3/00
273/371
D453,360 S * 2/2002 Pan D21/308
D563,478 S 3/2008 Hanes, III
D564,597 S 3/2008 Moody
D612,892 S 3/2010 Miele
D774,142 S * 12/2016 Wu D21/307
D880,597 S * 4/2020 Mei D21/308
2001/0035614 A1* 11/2001 Chang F41J 3/0066
273/373

* cited by examiner

Primary Examiner — George D. Kirschbaum
Assistant Examiner — Joseph J Kukella
(74) *Attorney, Agent, or Firm* — HYIP

(57) **CLAIM**

The ornamental design for a dart board, as shown and described.

(56) **References Cited**

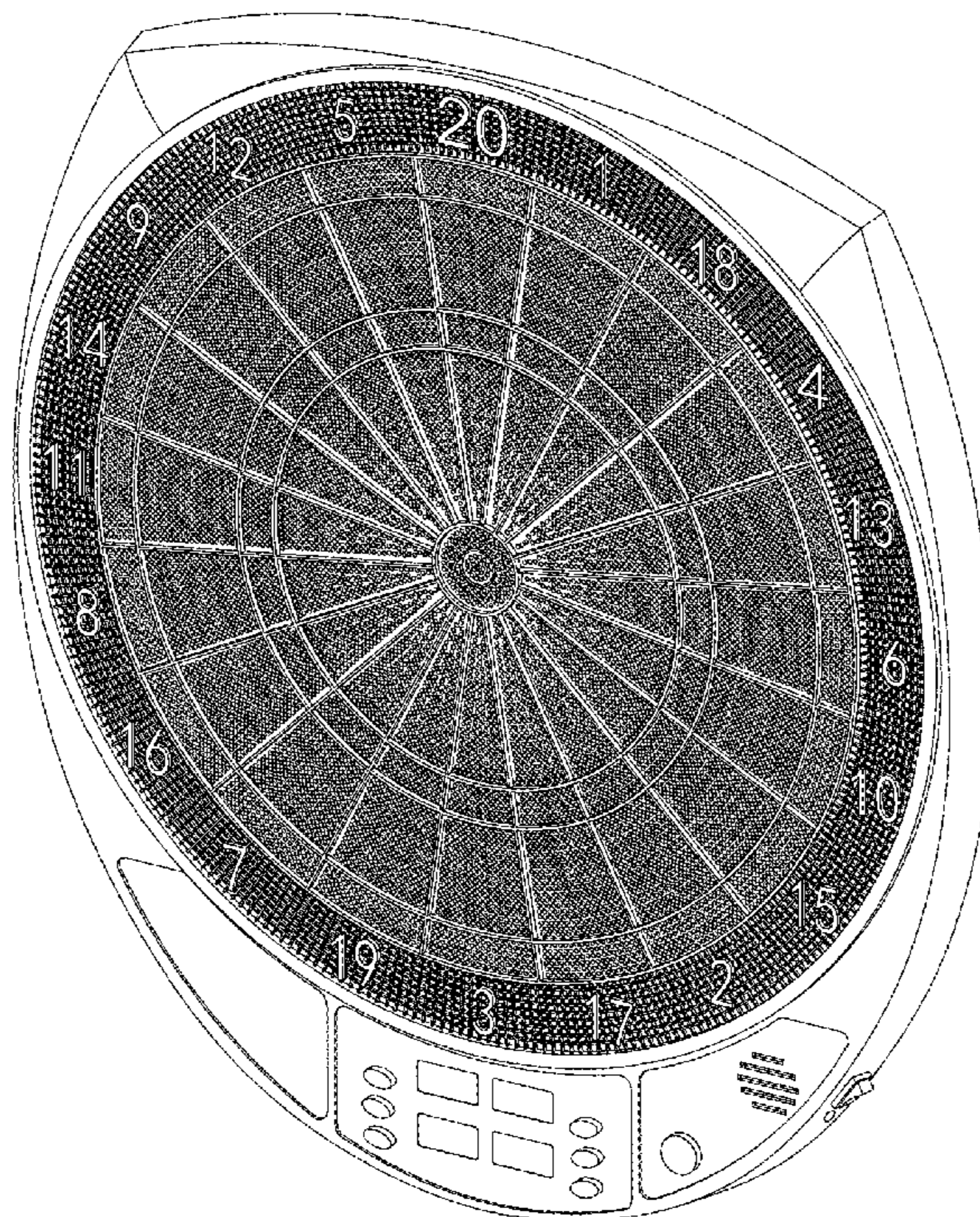
U.S. PATENT DOCUMENTS

D365,601 S * 12/1995 Wu D10/46.1
D378,103 S * 2/1997 Yiu D21/307
D382,600 S * 8/1997 Wu D21/307
D386,538 S * 11/1997 Chu D21/307
D386,795 S * 11/1997 Yiu D21/307
D387,388 S * 12/1997 Beall D21/308
D389,527 S * 1/1998 Chen D21/307
D390,277 S * 2/1998 Yiu D21/307
D390,278 S * 2/1998 Yiu F41J 3/02
D21/307
D393,491 S * 4/1998 Yiu D21/307

DESCRIPTION

FIG. 1 is a first perspective view of a dart board showing my new design;
FIG. 2 is a second perspective view thereof;
FIG. 3 is a front view thereof;
FIG. 4 is a back view thereof;
FIG. 5 is a left side view thereof;
FIG. 6 is a right side view thereof;
FIG. 7 is a top view thereof; and,
FIG. 8 is a bottom view thereof.

1 Claim, 8 Drawing Sheets



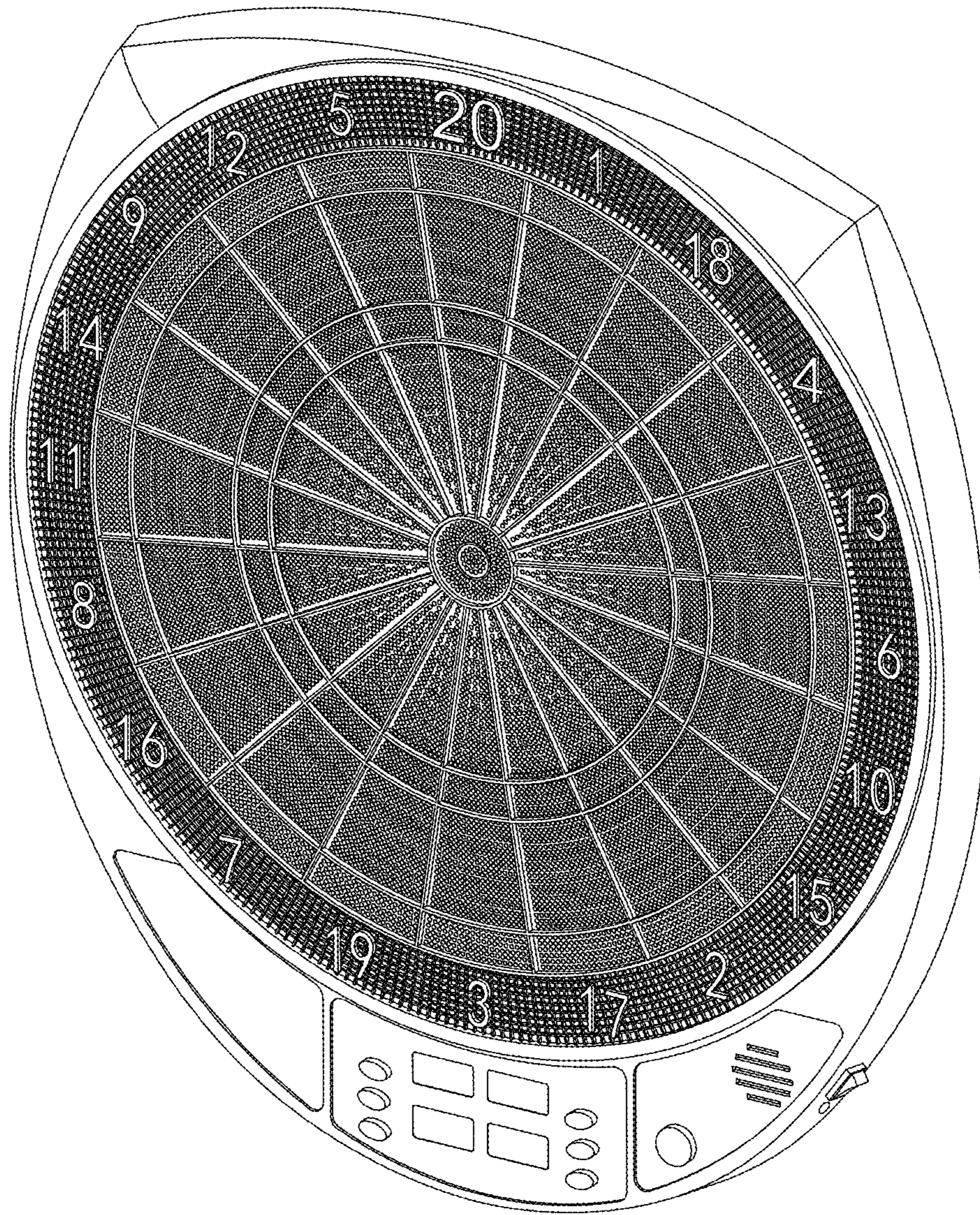


FIG. 1

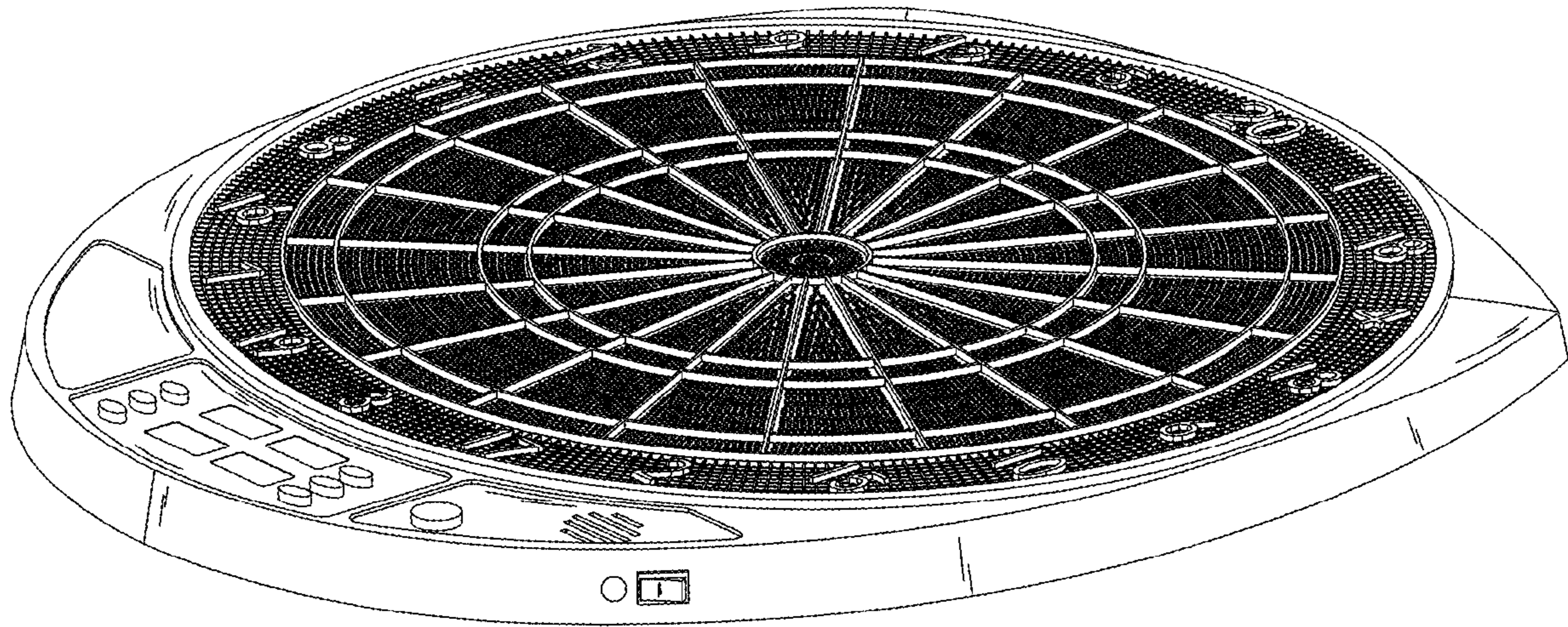


FIG. 2

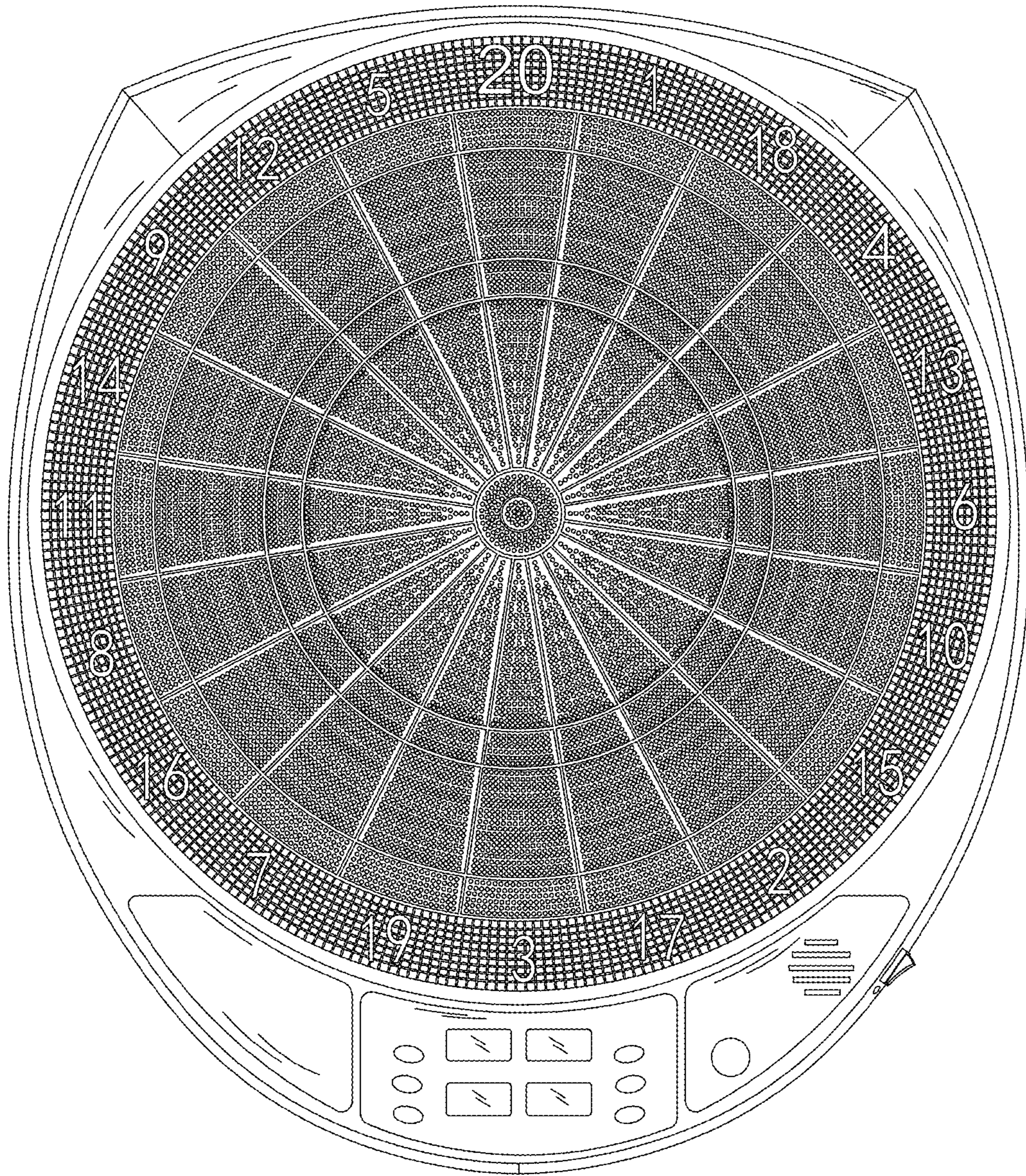


FIG. 3

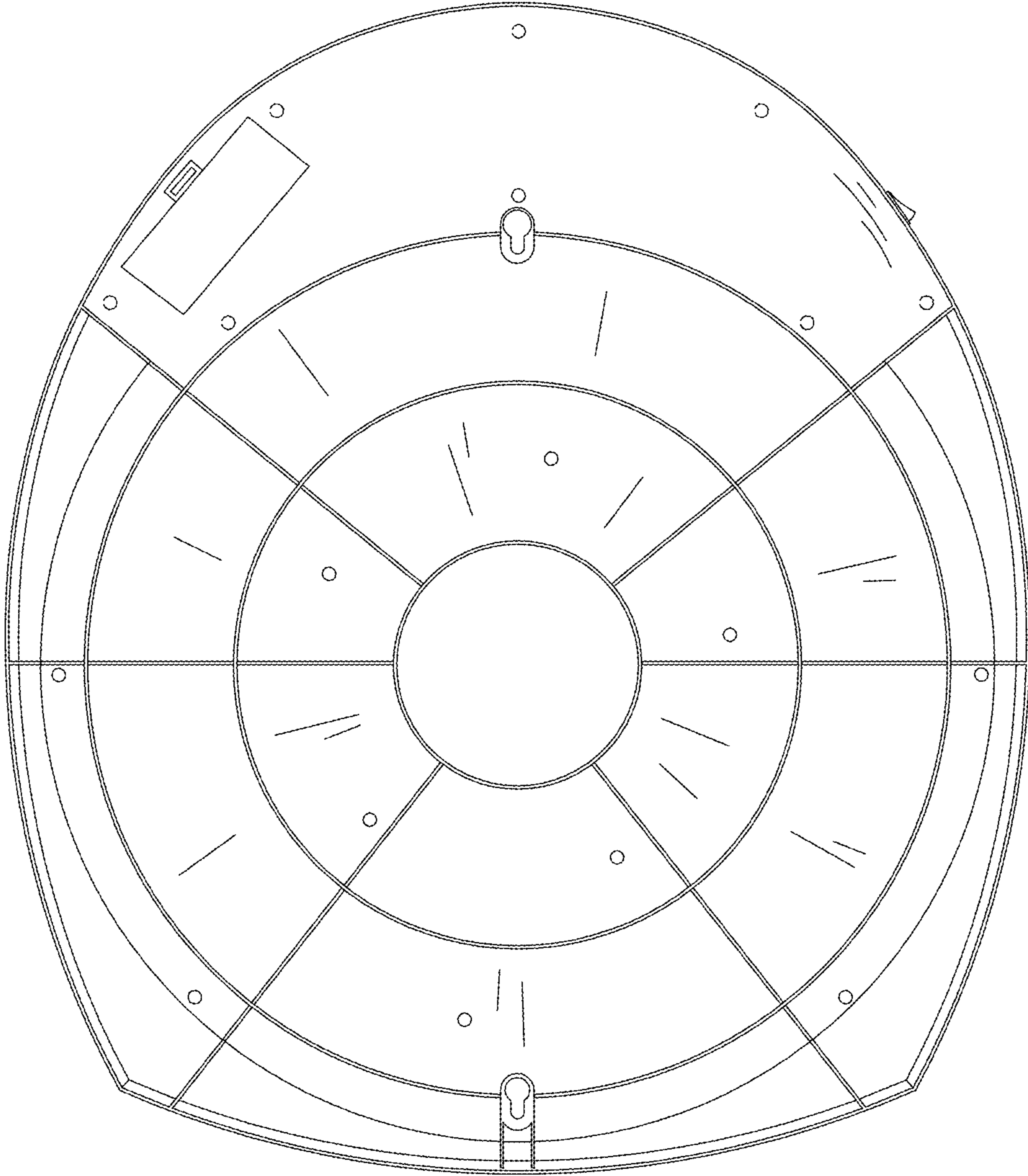


FIG. 4



FIG. 5



FIG. 6



FIG. 7

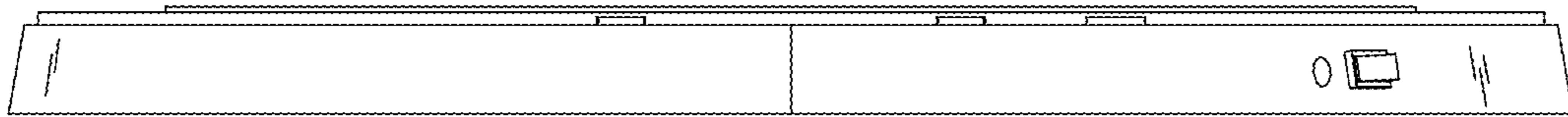


FIG. 8