



US00D900220S

(12) **United States Design Patent** (10) **Patent No.:** **US D900,220 S**
Buckner (45) **Date of Patent:** **** Oct. 27, 2020**

(54) **SIGN STAND**

(71) Applicant: **Todd T. Buckner**, Tifton, GA (US)

(72) Inventor: **Todd T. Buckner**, Tifton, GA (US)

(**) Term: **15 Years**

(21) Appl. No.: **29/698,628**

(22) Filed: **Jul. 18, 2019**

(51) **LOC (12) Cl.** **20-03**

(52) **U.S. Cl.**
USPC **D20/10**

(58) **Field of Classification Search**
USPC D11/40, 46, 48, 49, 51, 52, 61, 116, 133,
D11/165, 166, 181, 182, 229; D20/10,
D20/11, 12, 15, 16, 17, 19, 20, 23, 37,
D20/40, 41, 42, 99
CPC ... G09F 7/00; G09F 7/002; G09F 7/02; G09F
7/04; G09F 7/06; G09F 7/08; G09F 7/12;
G09F 7/14; G09F 7/16; G09F 2007/1843;
G09F 2007/1873; G09F 9/30; G09F
13/00; G09F 13/16

See application file for complete search history.

(56) **References Cited**

U.S. PATENT DOCUMENTS

D263,319 S *	3/1982	Shuman	40/611.06
D268,849 S *	5/1983	Shuman	D20/43
D275,970 S *	10/1984	Bowers	D20/41
D310,245 S *	8/1990	von Canal	D20/21
D359,253 S *	6/1995	Luttrull	D20/10
D427,242 S *	6/2000	Pettesch	D20/10
D592,705 S *	5/2009	Giugiaro	D20/39
D687,895 S *	8/2013	Gaspar dos Santos	D20/39
D839,351 S *	1/2019	Zimmermann	D20/10

D846,026 S *	4/2019	Hanninen	D20/17
2016/0186944 A1 *	6/2016	Park	G09F 13/00 362/97.1
2016/0276374 A1 *	9/2016	Nodera	G02F 1/133514

OTHER PUBLICATIONS

Freestander, posted at Facebook.com, posted on Jan. 16, 2020, site visited Jul. 15, 2020. online, available from internet: https://www.facebook.com/permitplussafety/?ref=page_internal (Year: 2020).*

* cited by examiner

Primary Examiner — Mary Ann Calabrese

Assistant Examiner — Catherine Ho

(74) *Attorney, Agent, or Firm* — Bush Intellectual Property Law; Kenneth M. Bush

(57) **CLAIM**

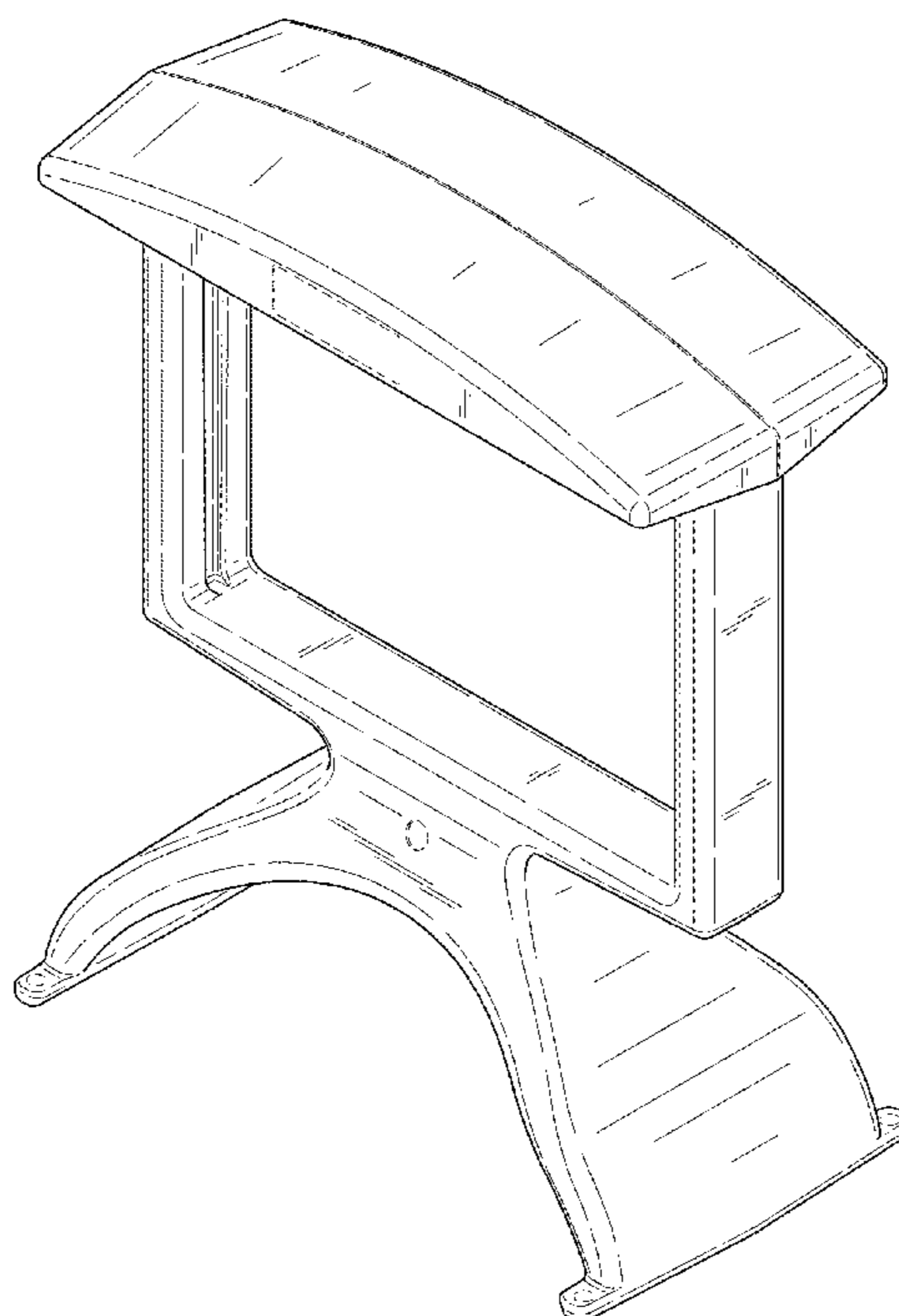
I claim the ornamental design for a sign stand, as shown and described.

DESCRIPTION

FIG. 1 is a top, front, right side perspective view of a sign stand showing my new design;
FIG. 2 is a bottom, front, right side perspective view thereof;
FIG. 3 is a front elevation view thereof;
FIG. 4 is a rear elevation view thereof;
FIG. 5 is a left side elevation view thereof;
FIG. 6 is a right side elevation view thereof;
FIG. 7 is a top plan view thereof; and,
FIG. 8 is a bottom plan view thereof.

The broken lines shown in the figures represent portions of the sign stand that form no part of the claimed design.

1 Claim, 7 Drawing Sheets



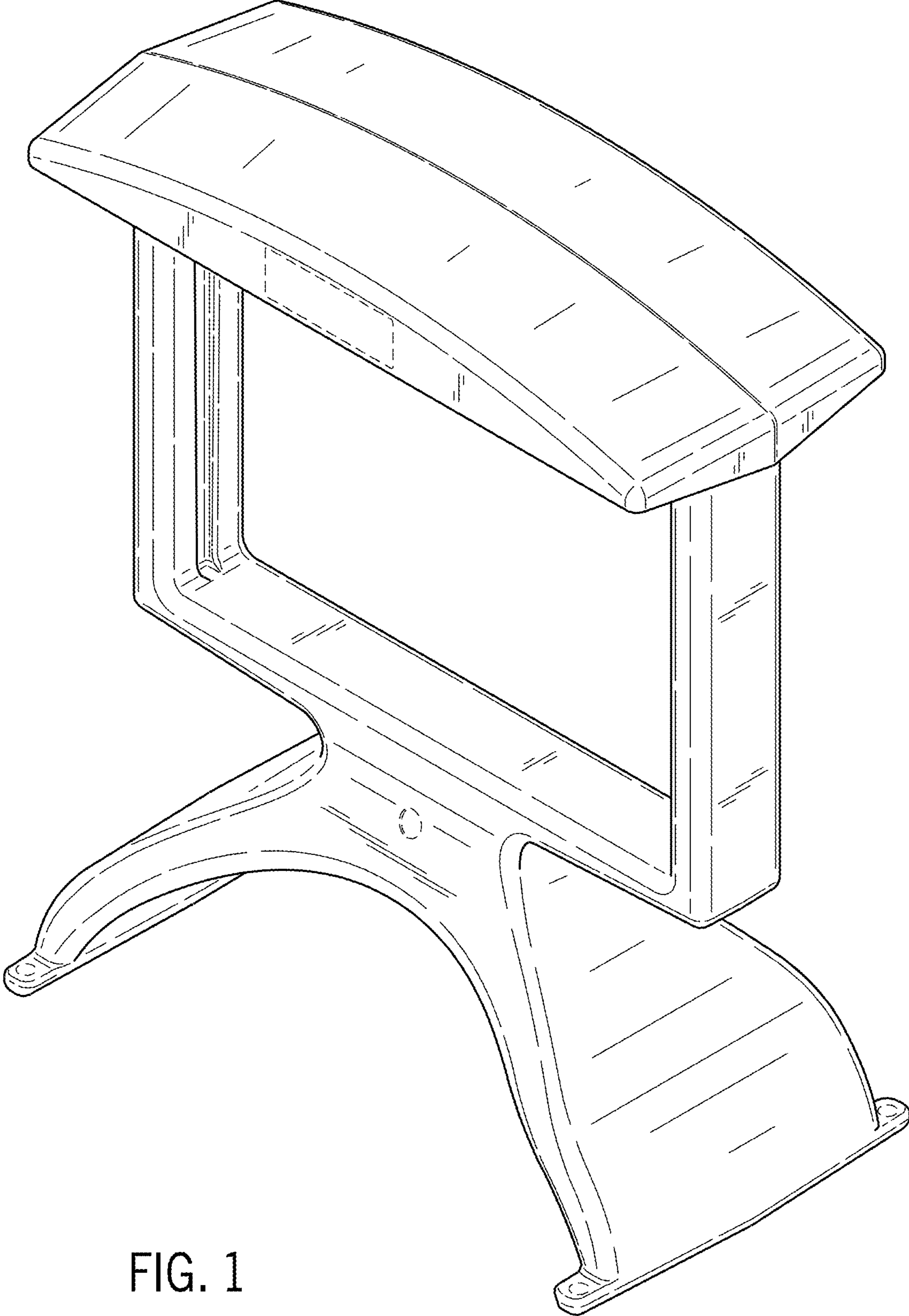


FIG. 1

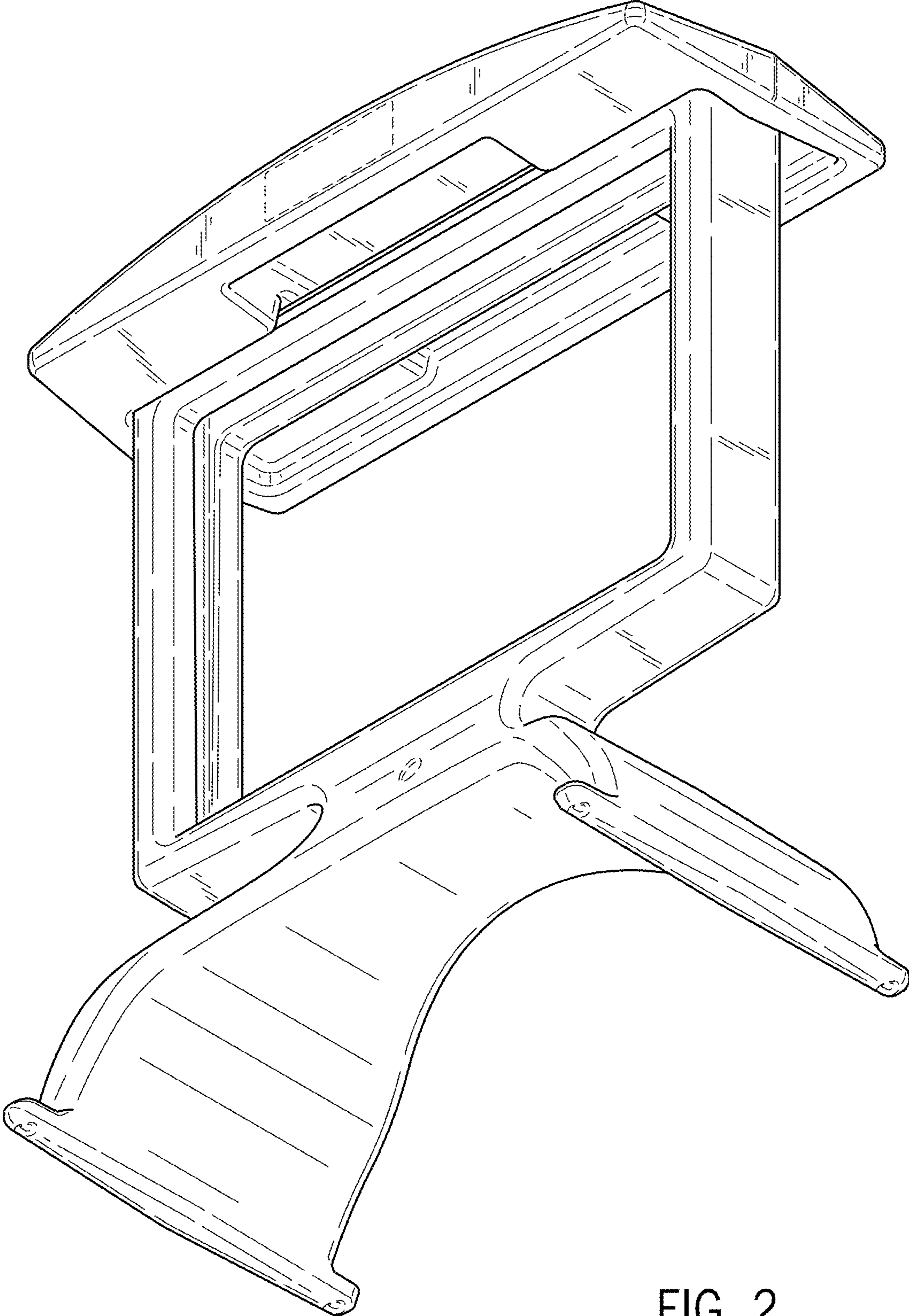


FIG. 2

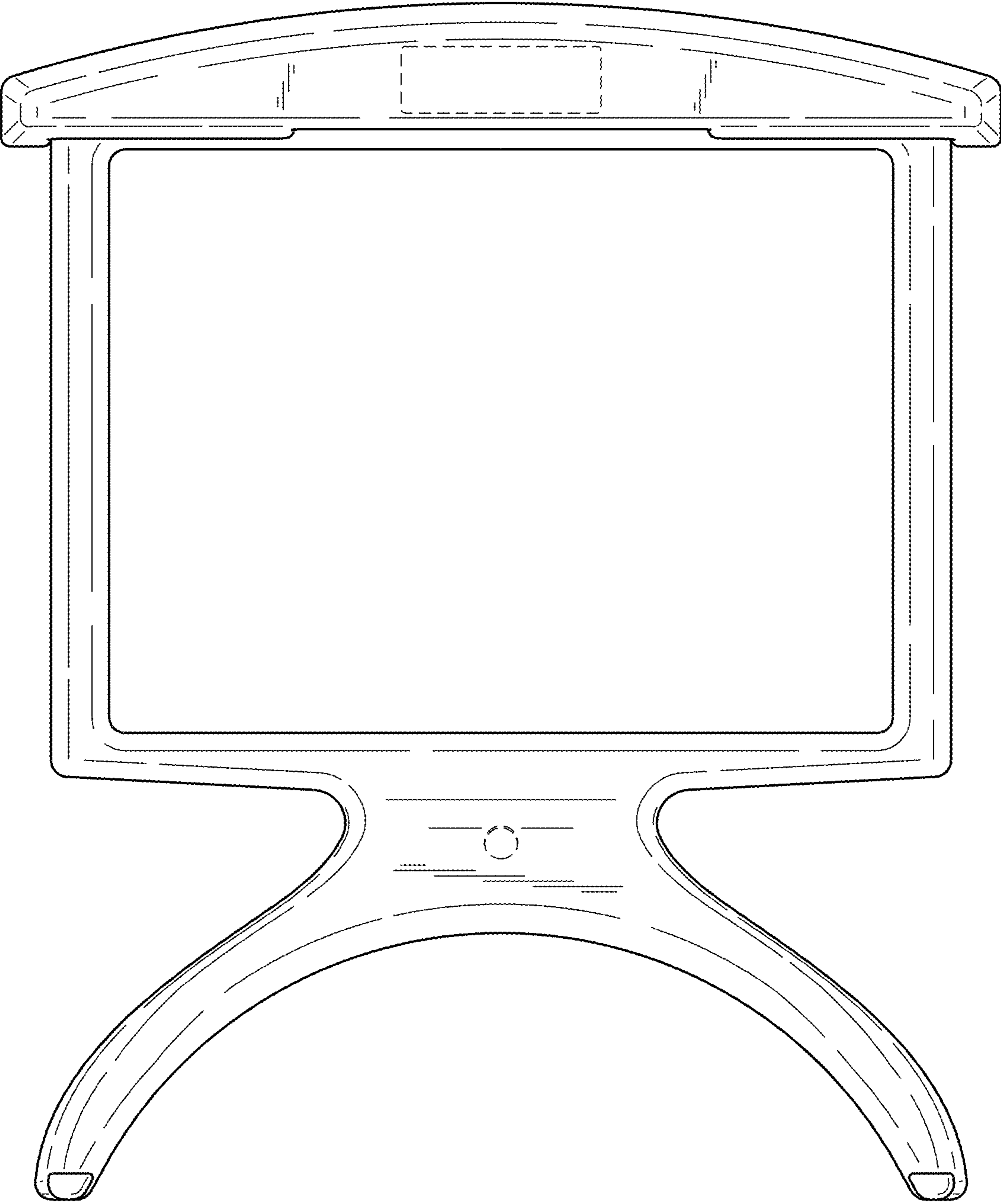


FIG. 3

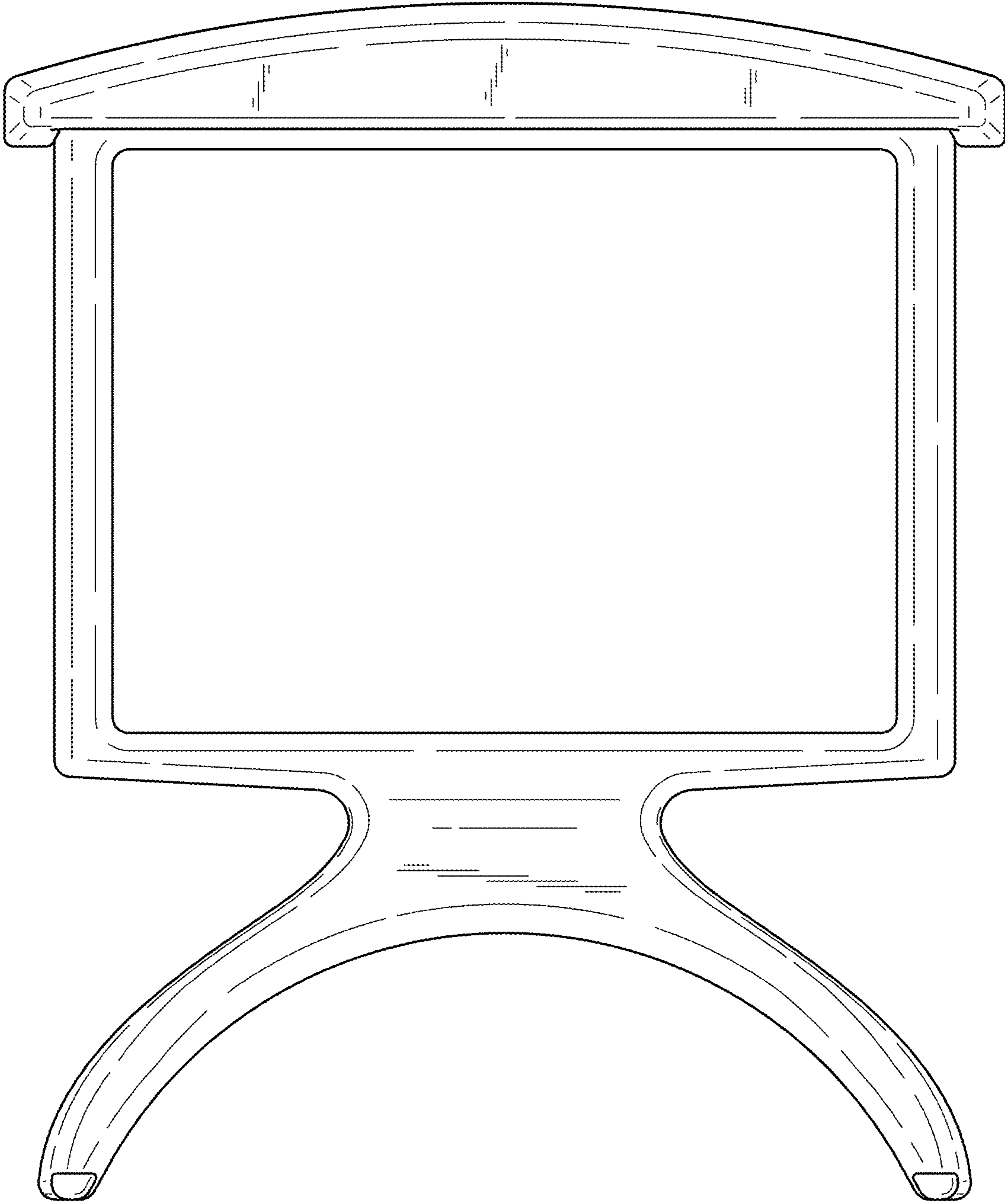


FIG. 4

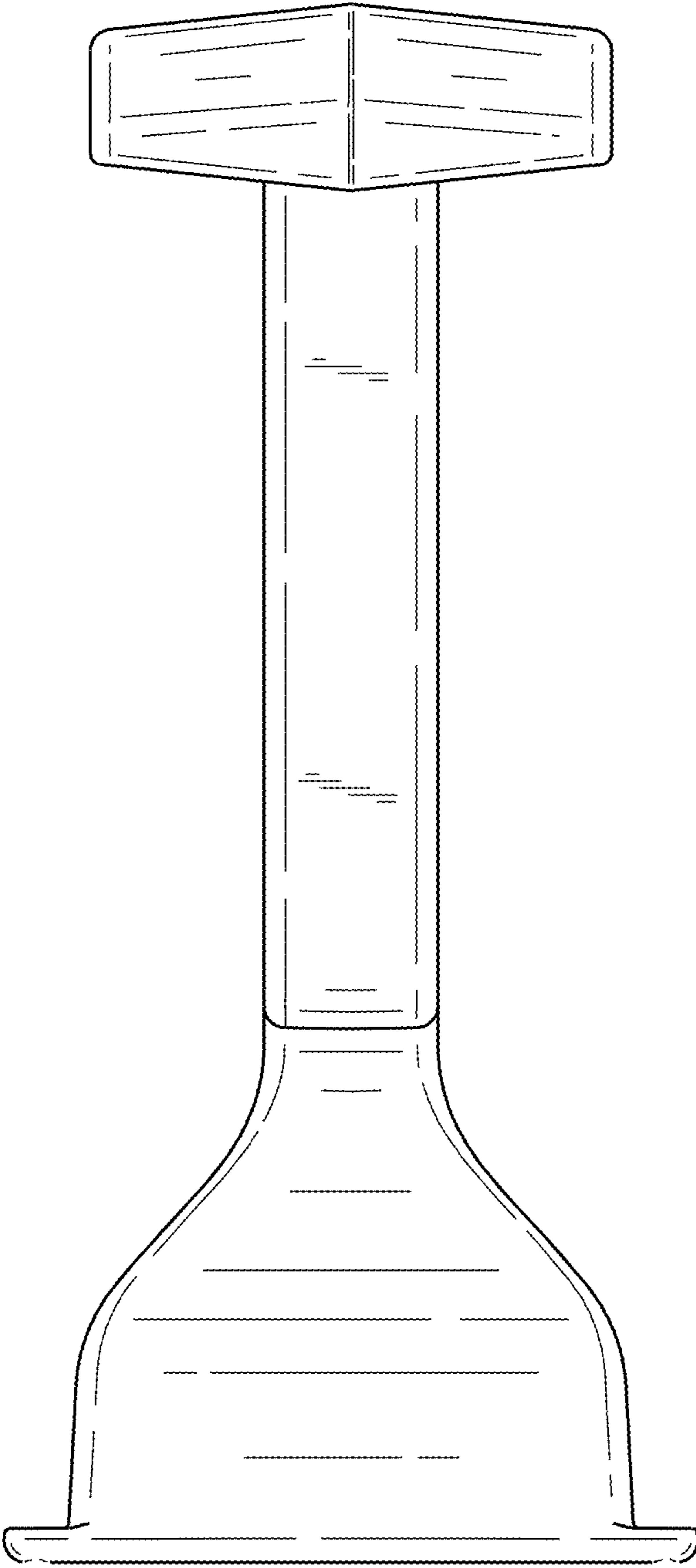


FIG. 5

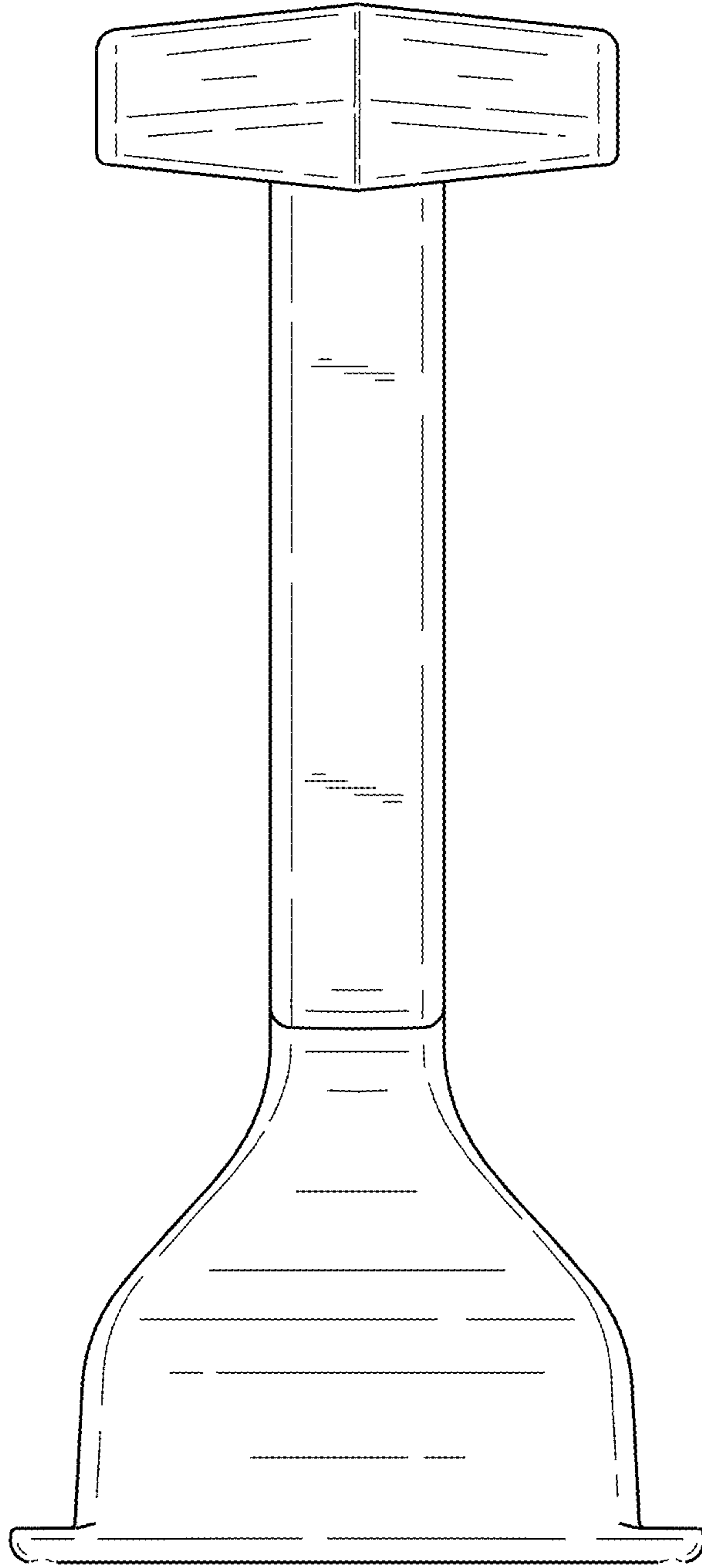


FIG. 6

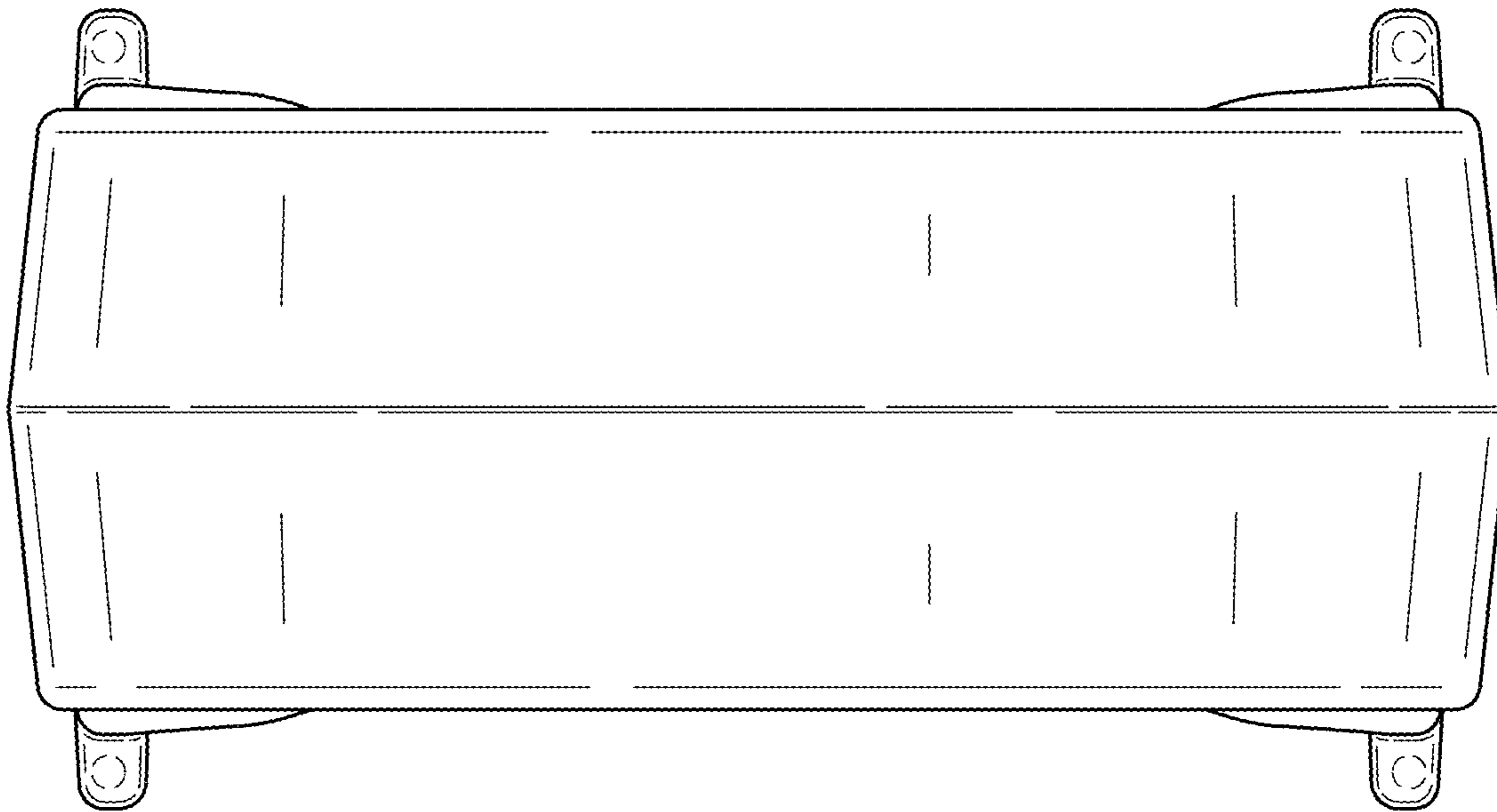


FIG. 7

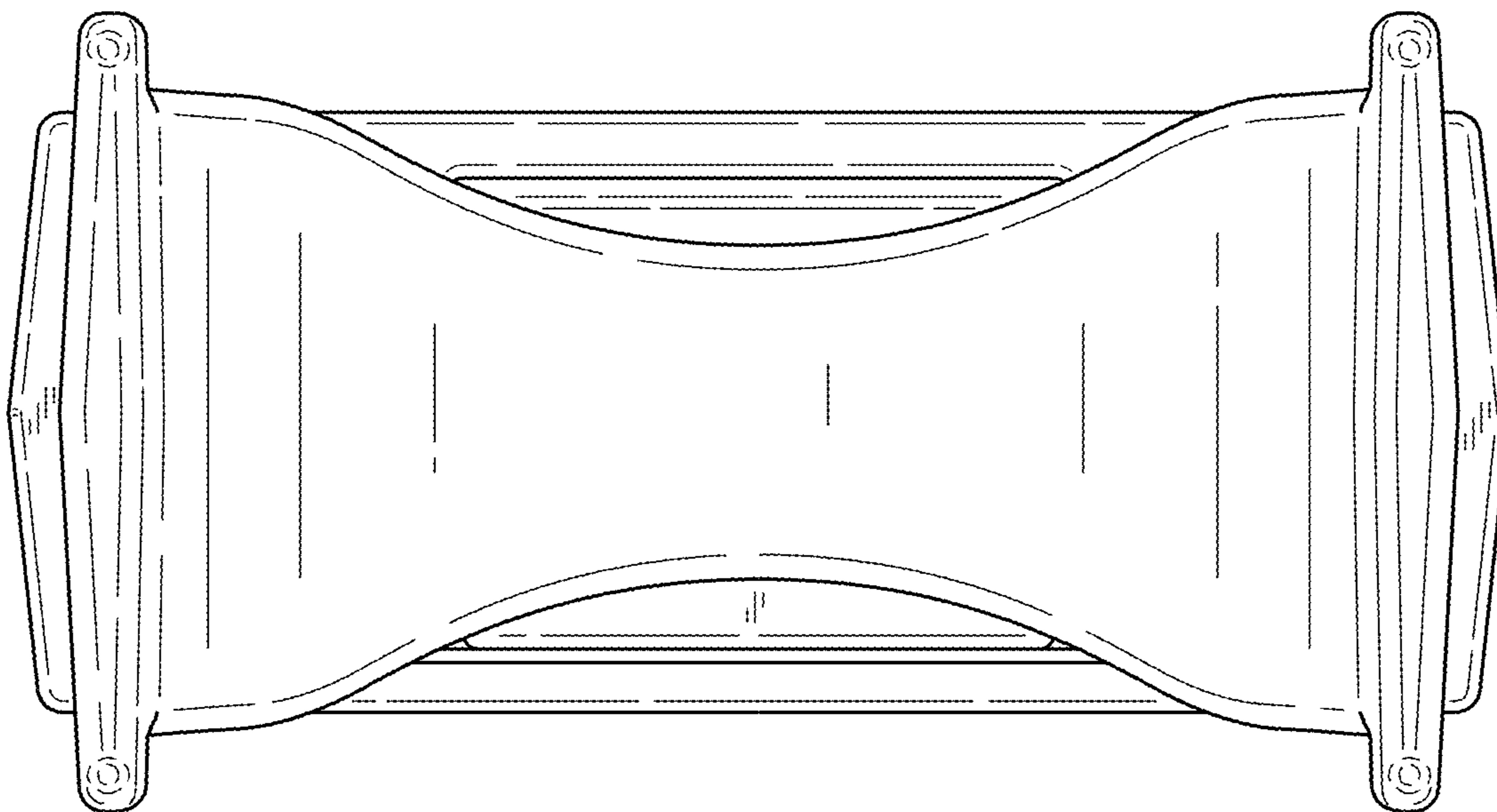


FIG. 8