



US00D900219S

(12) **United States Design Patent** (10) **Patent No.:** **US D900,219 S**  
**Jo et al.** (45) **Date of Patent:** **\*\* Oct. 27, 2020**

(54) **MEDIA DISPLAY DEVICE**

(71) Applicant: **FUJITSU LIMITED**, Kawasaki-shi, Kanagawa (JP)  
(72) Inventors: **Manami Jo**, Kanagawa (JP); **Tomohiro Takizawa**, Kanagawa (JP); **Masuhito Tanaka**, Kanagawa (JP); **Hiroto Motoyama**, Kanagawa (JP)

(73) Assignee: **FUJITSU LIMITED**, Kawasaki (JP)

(\*\*) Term: **15 Years**

(21) Appl. No.: **29/611,159**

(22) Filed: **Jul. 19, 2017**

(30) **Foreign Application Priority Data**

Jan. 20, 2017 (JP) ..... 2017-000852

(51) **LOC (12) Cl.** ..... **20-02**

(52) **U.S. Cl.**  
USPC ..... **D20/10; D14/374**

(58) **Field of Classification Search**  
USPC ..... D2/839, 853-857; D8/349, 354; D6/301; D10/113.4; D14/126, 307, 371, D14/125, 129, 299, 336, 372-382, 432; D20/10, 16, 17, 19, 21, 39, 41, 42, 99; D21/499; D25/112-119, 121, 122; D26/88, 128, 135; 52/435, 475.19, 52/503-505, 574, 575, 596-612; 404/29-31, 34; 405/16, 17, 33, 35, 286  
CPC . G09F 1/10; G09F 1/1012; G09F 7/00; G09F 7/18; G09F 7/22; G09F 9/00; G09F 9/3026; G09F 9/305; G09F 9/33; G09F 9/35; G09F 11/00; G09F 13/00; G09F 13/02; G09F 13/04; G09F 13/0413; G09F 13/16; G09F 13/165; G09F 13/20; G09F 13/0022; G09F 2013/0436; G09F 2013/184;

(Continued)

(56) **References Cited**

U.S. PATENT DOCUMENTS

D139,398 S \* 11/1944 Lewis ..... D20/10  
3,096,621 A \* 7/1963 Danel ..... E02B 3/14  
405/16  
D210,286 S \* 2/1968 Venema ..... 138/155  
(Continued)

OTHER PUBLICATIONS

“Square Pyramid Shade.” therange.co.uk. Reviewed Jan. 21, 2016. Accessed May 12, 2019. Available online at URL: <https://www.therange.co.uk/lighting/lighting-accessories-and-fittings/lamp-shades/square-pyramid-shade/> (Year: 2016).\*

(Continued)

*Primary Examiner* — Karen E Kearney

*Assistant Examiner* — Christian P. McLean

(74) *Attorney, Agent, or Firm* — Oblon, McClelland, Maier & Neustadt, L.L.P.

(57) **CLAIM**

The ornamental design for a media display device, as shown and described.

**DESCRIPTION**

FIG. 1 is a front elevation view of a media display device. A rear elevation view is omitted because it is identical with the front elevation view.

FIG. 2 is a top plan view thereof.

FIG. 3 is a bottom plan view thereof.

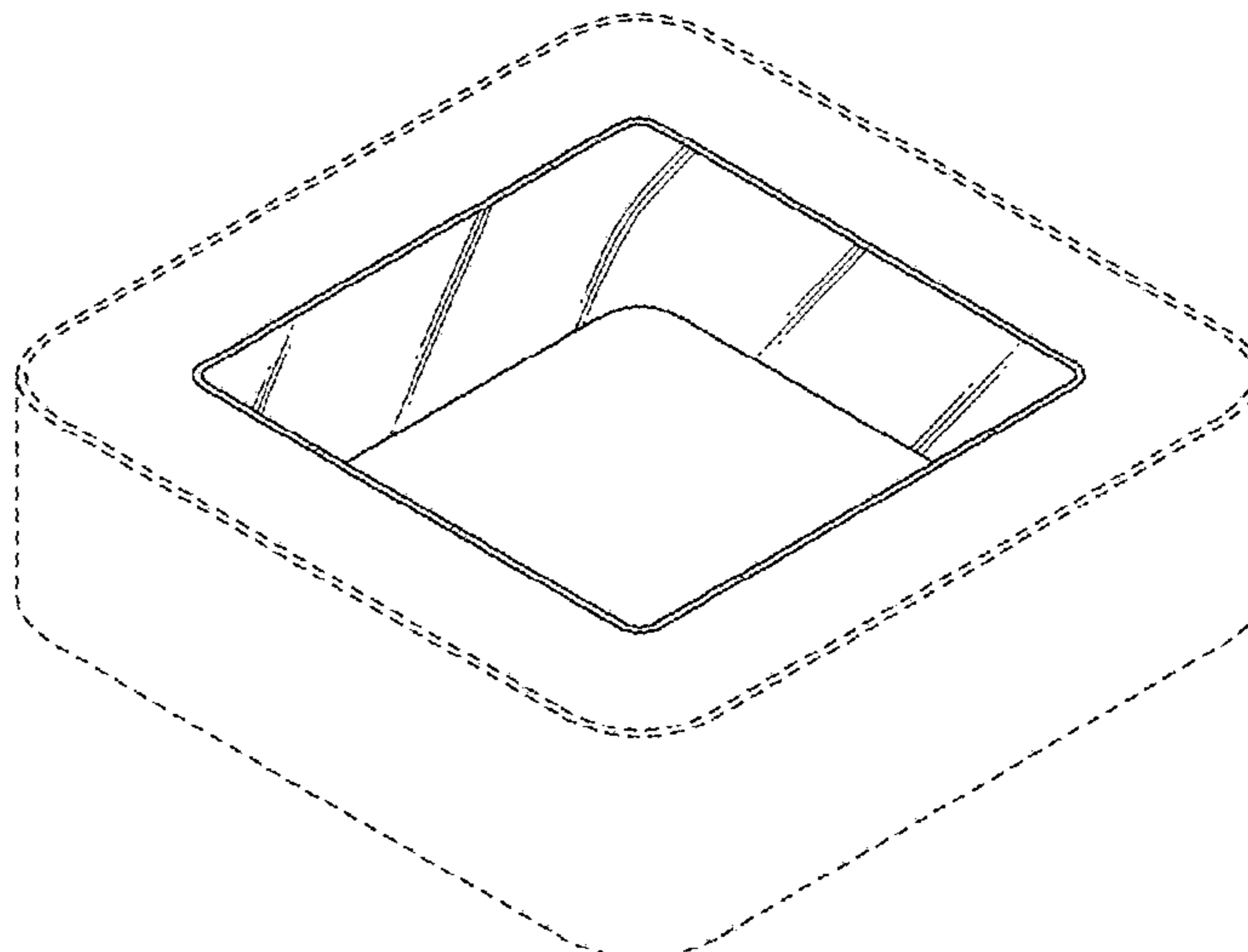
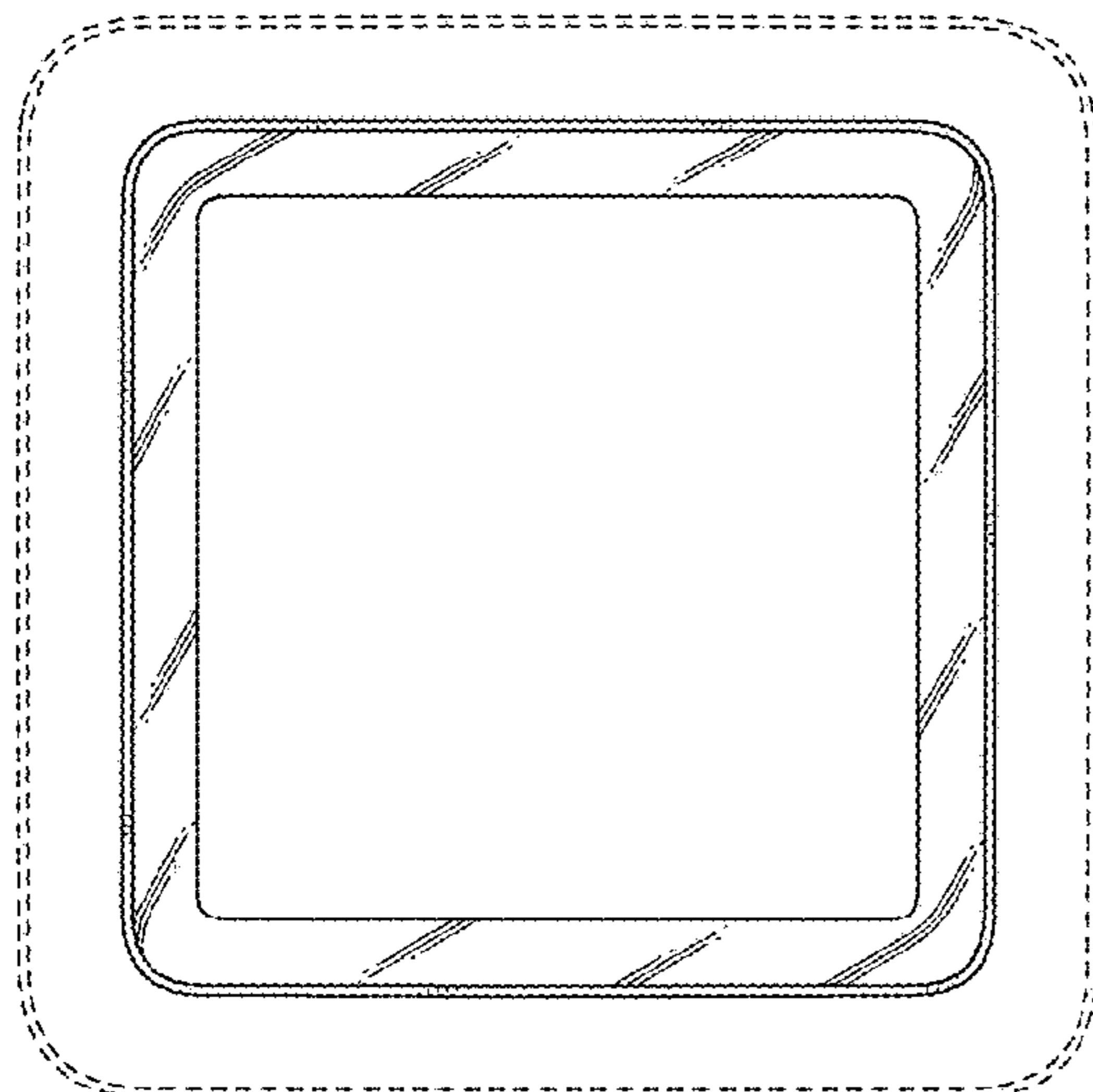
FIG. 4 is a right side elevation view thereof. A left side elevation view is omitted because it is identical with the right elevation view; and,

FIG. 5 is a perspective view thereof.

The broken lines shown in the drawings illustrate portions of the media display device that form no part of the claimed design.

The oblique lines in the drawings indicate a display screen of the media display device.

**1 Claim, 5 Drawing Sheets**



(58) **Field of Classification Search**  
 CPC ..... G09F 2013/222; G09F 2013/225; G09F  
 15/00; G09F 15/0006; G09F 15/0075  
 See application file for complete search history.

(56) **References Cited**

U.S. PATENT DOCUMENTS

3,367,063 A \* 2/1968 Bondesen ..... A63H 33/101  
 446/119  
 3,374,917 A \* 3/1968 Troy ..... A63H 33/08  
 206/504  
 3,618,279 A \* 11/1971 Sease ..... E04B 2/46  
 52/223.7  
 4,586,302 A \* 5/1986 Kretschmar ..... E04G 25/065  
 52/173.1  
 4,827,386 A \* 5/1989 Mackiewicz ..... F21S 8/04  
 362/147  
 D323,037 S \* 1/1992 Edwards ..... D26/118  
 D334,815 S \* 4/1993 Bungler ..... D21/501  
 D425,214 S \* 5/2000 Speck ..... D25/118  
 D471,992 S \* 3/2003 Hughes ..... D25/122  
 D473,397 S \* 4/2003 Ong ..... D6/407  
 D477,104 S \* 7/2003 Wang ..... D26/72  
 D500,037 S \* 12/2004 Ozolins ..... D14/375  
 D515,222 S \* 2/2006 Kieffer ..... D25/122  
 D559,846 S \* 1/2008 Vesco ..... D14/375  
 D629,920 S \* 12/2010 Tezak ..... D25/114  
 D632,346 S \* 2/2011 Hardstaff ..... D21/501  
 D641,098 S \* 7/2011 Wildner ..... D26/85  
 D668,374 S \* 10/2012 Wauters ..... D26/89  
 D673,304 S \* 12/2012 D’Avela ..... D25/114  
 D679,437 S \* 4/2013 Watt ..... D26/74  
 D702,393 S \* 4/2014 Ansierowicz ..... D26/89  
 D708,765 S \* 7/2014 MacDonald ..... D25/113  
 D722,195 S \* 2/2015 Highbridge ..... D26/89  
 D726,723 S \* 4/2015 Georgiou ..... D14/388  
 D730,570 S \* 5/2015 Chen ..... D26/128  
 D731,111 S \* 6/2015 Chen ..... D26/128  
 D738,032 S \* 9/2015 Maxik ..... D26/118  
 D751,748 S \* 3/2016 Guercio ..... D26/89  
 D761,483 S \* 7/2016 Pratt ..... D26/118  
 D766,497 S \* 9/2016 Salomon ..... D26/138

D777,821 S \* 1/2017 Gioscia ..... D16/219  
 D778,487 S \* 2/2017 Salomon ..... D26/138  
 D780,754 S \* 3/2017 Bae ..... D14/374  
 D780,755 S \* 3/2017 Bae ..... D14/374  
 D781,292 S \* 3/2017 Bae ..... D14/374  
 D783,197 S \* 4/2017 Arndt ..... D26/90  
 D785,230 S \* 4/2017 Shundong ..... D26/89  
 D789,622 S \* 6/2017 Kellogg ..... D30/160  
 D799,099 S \* 10/2017 Gismondi ..... D26/89  
 D807,556 S \* 1/2018 Li ..... D26/74  
 D808,961 S \* 1/2018 Lee ..... D14/344  
 D811,623 S \* 2/2018 Walter ..... D25/114  
 D812,284 S \* 3/2018 Arndt ..... D26/88  
 D817,537 S \* 5/2018 Clark ..... D26/88  
 D819,860 S \* 6/2018 Clark ..... D26/76  
 D831,117 S \* 10/2018 Yoon ..... D20/10  
 D834,235 S \* 11/2018 Gambrel ..... D26/89  
 D835,327 S \* 12/2018 Li ..... D26/89  
 D856,429 S \* 8/2019 Hwang ..... D20/10  
 D857,099 S \* 8/2019 Kwon ..... D20/10  
 D857,289 S \* 8/2019 Behnke ..... F21S 8/04  
 D26/142  
 D861,766 S \* 10/2019 Lim ..... D16/237  
 D864,430 S \* 10/2019 Thompson ..... D26/26  
 D864,431 S \* 10/2019 Thompson ..... D26/26  
 D864,432 S \* 10/2019 Thompson ..... D26/26  
 D864,462 S \* 10/2019 Gratton ..... D26/103  
 2005/0188969 A1 \* 9/2005 Wheeler, III ..... F02M 29/14  
 123/590  
 2016/0348905 A1 \* 12/2016 Fukui ..... F23M 5/025  
 2018/0328573 A1 \* 11/2018 Behnke ..... F21S 8/03  
 2019/0339560 A1 \* 11/2019 Kim ..... G09F 9/00  
 2019/0347967 A1 \* 11/2019 Jumblatt ..... B65D 23/12

OTHER PUBLICATIONS

“10 Pack Square Chair Ferrules . . .” Amazon.com. First available  
 Aug. 8, 2016. Accessed May 12, 2019. Available online at URL:  
[https://www.amazon.co.uk/External-Square-ferrules-Plastic-covers/  
 dp/B01JZMZT4K](https://www.amazon.co.uk/External-Square-ferrules-Plastic-covers/dp/B01JZMZT4K) (Year: 2016).\*  
 “Frustum.” en.wikipedia.org. Edited Apr. 10, 2019. Accessed May  
 12, 2019. Available online at URL: [https://en.wikipedia.org/wiki/  
 Frustum](https://en.wikipedia.org/wiki/Frustum) (Year: 2019).\*

\* cited by examiner

FIG. 1



FIG. 2

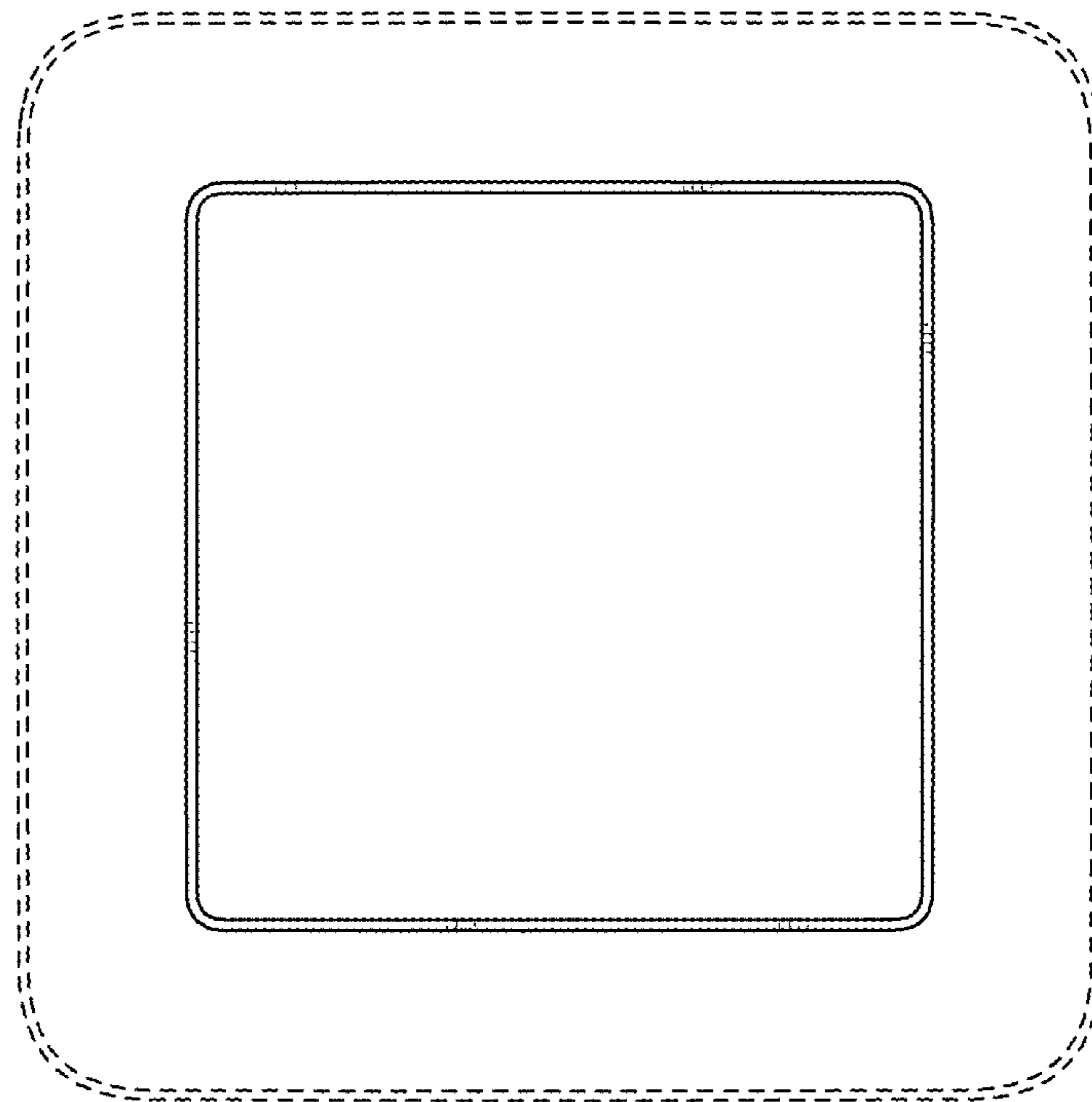


FIG. 3

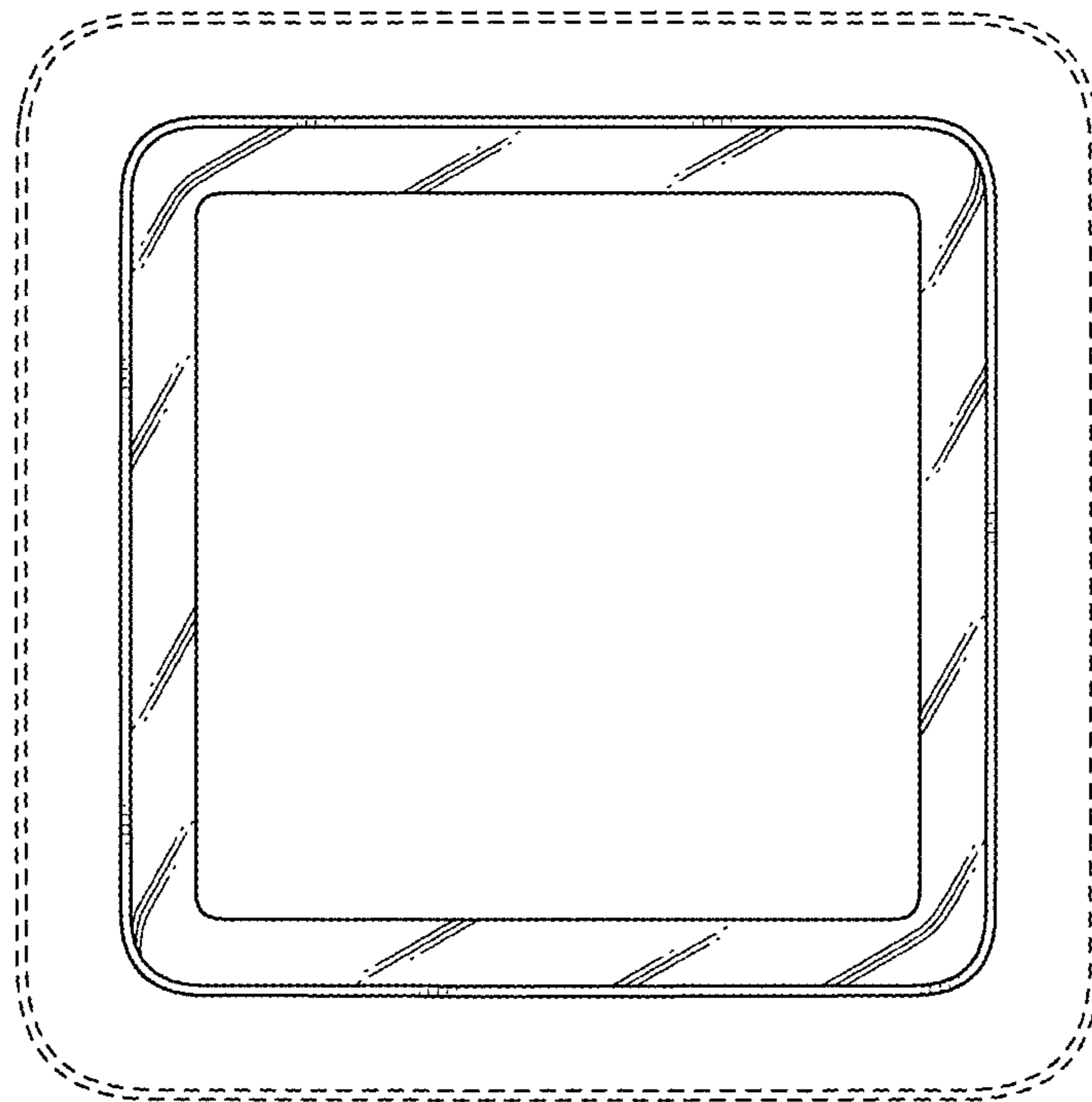


FIG. 4



FIG. 5

