



US00D900218S

(12) **United States Design Patent** (10) **Patent No.:** **US D900,218 S**  
**Weiss** (45) **Date of Patent:** **\*\* Oct. 27, 2020**

(54) **TAPE DISPENSER**  
(71) Applicant: **Fabuwood Cabinetry Corp.**, Newark, NJ (US)  
(72) Inventor: **Efraim Weiss**, New City, NY (US)  
(73) Assignee: **FABUWOOD CABINETRY CORP.**, Newark, NJ (US)  
(\*\*) Term: **15 Years**  
(21) Appl. No.: **29/703,574**  
(22) Filed: **Aug. 28, 2019**  
(51) **LOC (12) Cl.** ..... **19-02**  
(52) **U.S. Cl.**  
USPC ..... **D19/69**  
(58) **Field of Classification Search**  
USPC ..... D19/65-71, 75, 77, 85, 99, 100  
CPC ..... B65H 35/0026; B65H 35/0033; B65H 35/0073; B65H 37/005; B65H 37/007  
See application file for complete search history.

4,889,245 A \* 12/1989 Rinke ..... B65D 71/50  
211/49.1  
4,898,532 A \* 2/1990 Bercik ..... A45F 5/004  
206/86  
D310,327 S \* 9/1990 Rinke ..... D7/589  
D311,260 S \* 10/1990 Hasert ..... D28/85  
D338,105 S \* 8/1993 Karch ..... D12/420  
D359,987 S \* 7/1995 Yoshikawa ..... D19/86  
D458,499 S \* 6/2002 Cone ..... D6/553  
D585,224 S \* 1/2009 Hwang ..... D6/553  
D690,129 S \* 9/2013 Clough ..... D6/542  
D690,958 S \* 10/2013 Orton ..... D6/515  
9,220,586 B2 \* 12/2015 Kostrzewski ..... A61F 2/0063  
D747,628 S \* 1/2016 Kowalczyk ..... D7/600.1  
D779,852 S \* 2/2017 Covert ..... D6/516  
D829,819 S \* 10/2018 McKenna ..... D19/77  
D878,162 S \* 3/2020 Iori ..... D7/602

\* cited by examiner

*Primary Examiner* — Elizabeth A. Albert  
(74) *Attorney, Agent, or Firm* — Susan Paik, Esq.

(57) **CLAIM**

The ornamental design for a tape dispenser, as shown and described.

**DESCRIPTION**

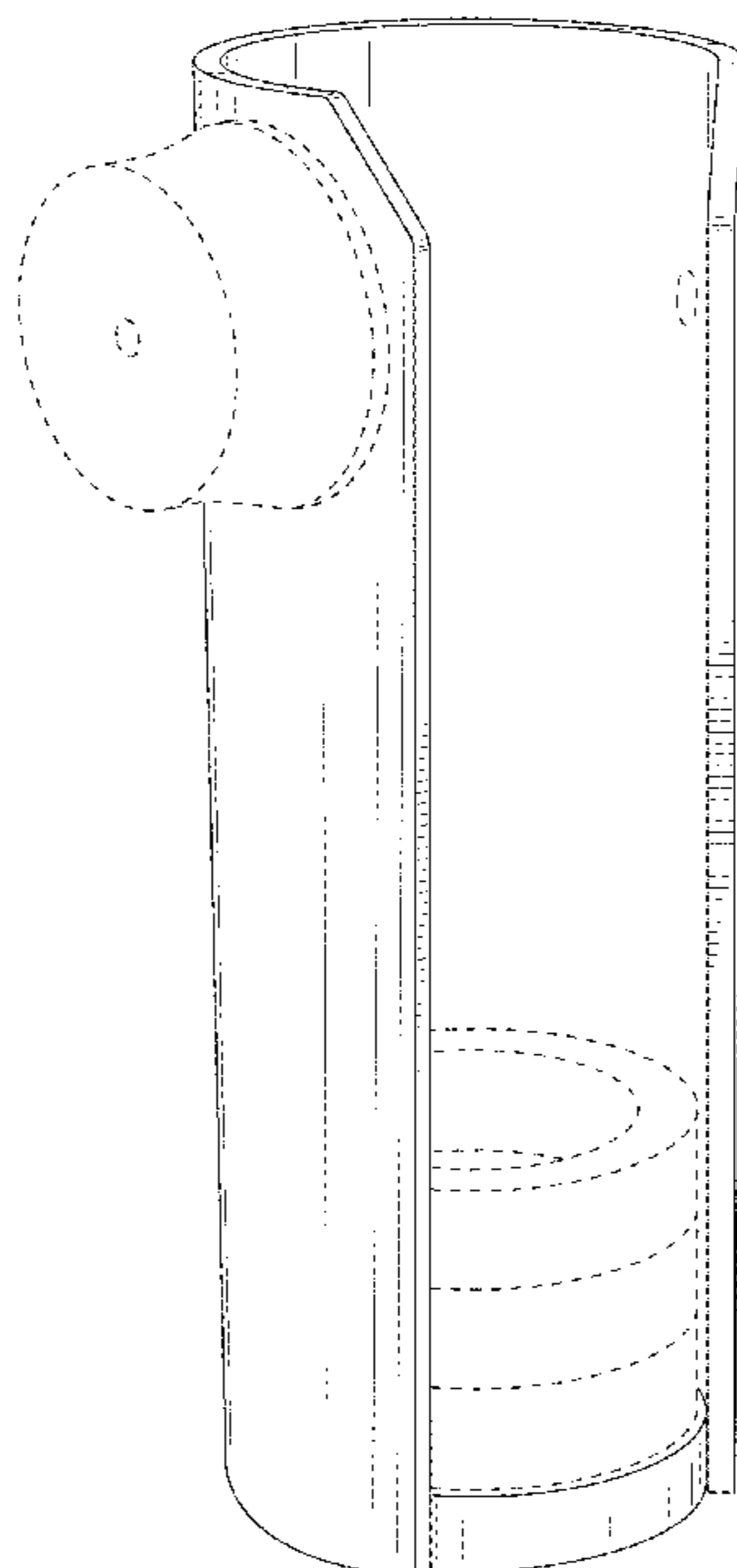
FIG. 1 is a front perspective view of a tape dispenser, showing my new design;  
FIG. 2 is a front view thereof;  
FIG. 3 is a rear view thereof;  
FIG. 4 is a right-side view thereof;  
FIG. 5 is a left-side view thereof;  
FIG. 6 is a top view thereof;  
FIG. 7 is a bottom view thereof; and,  
FIG. 8 is a front perspective view of the tape dispenser of FIG. 1 showing rolls of tape held therein.  
The broken lines in the drawings are included to show features and articles that form no part of the claimed design.

**1 Claim, 7 Drawing Sheets**

(56) **References Cited**

**U.S. PATENT DOCUMENTS**

2,954,909 A \* 10/1960 Miller ..... A01K 97/10  
224/200  
D189,261 S \* 11/1960 Yoshizumi ..... D6/515  
3,737,360 A \* 6/1973 Horn ..... B65H 35/0026  
156/577  
D233,120 S \* 10/1974 Dawson ..... D7/701  
D248,128 S \* 6/1978 Mineo ..... D6/514  
D298,839 S \* 12/1988 Soderberg ..... D19/69  
D300,230 S \* 3/1989 Yamazaki ..... D19/69  
4,840,332 A \* 6/1989 Hoyt ..... A63B 47/00  
224/274  
4,842,149 A \* 6/1989 Vining ..... A47F 1/08  
211/59.2



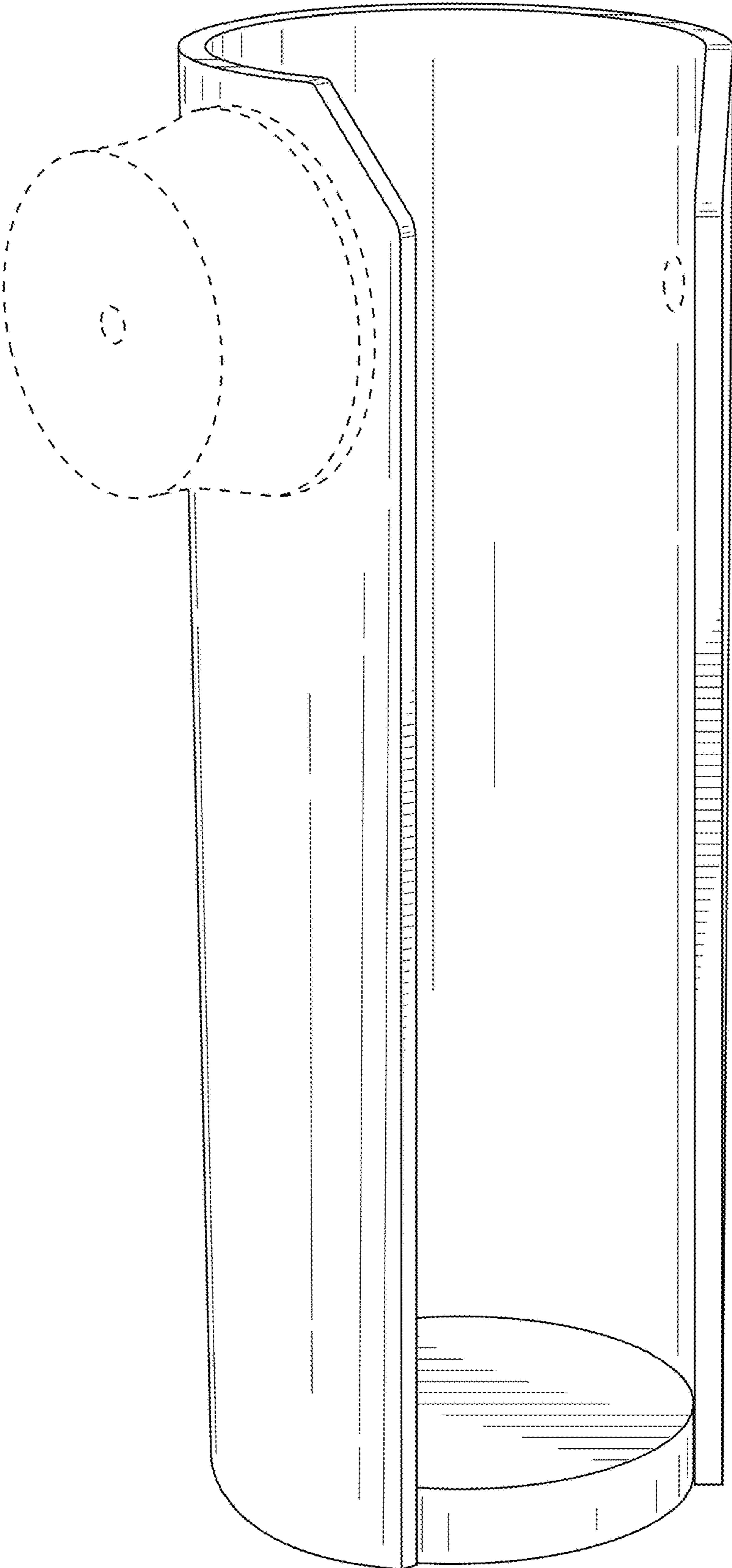


FIG. 1

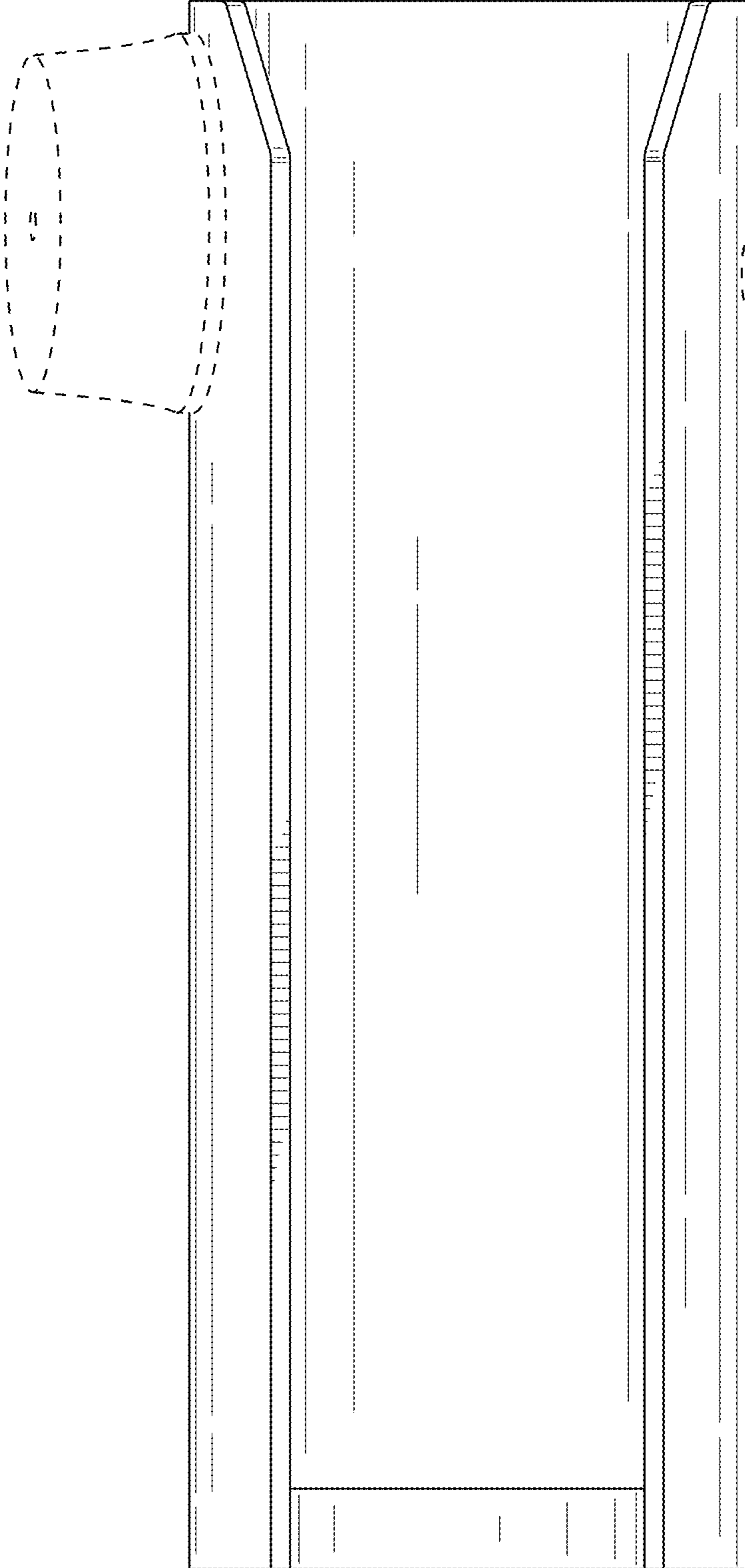


FIG. 2

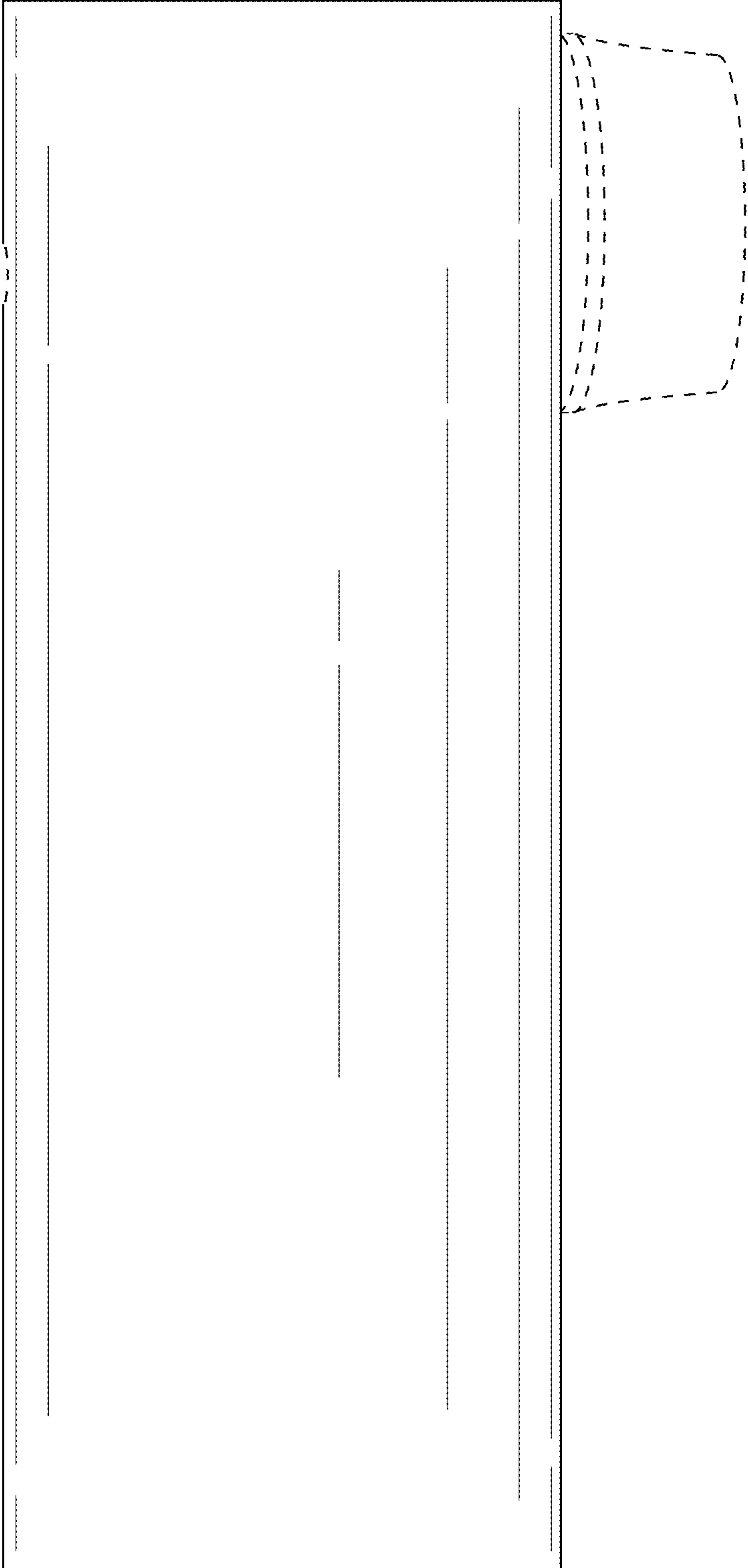


FIG. 3

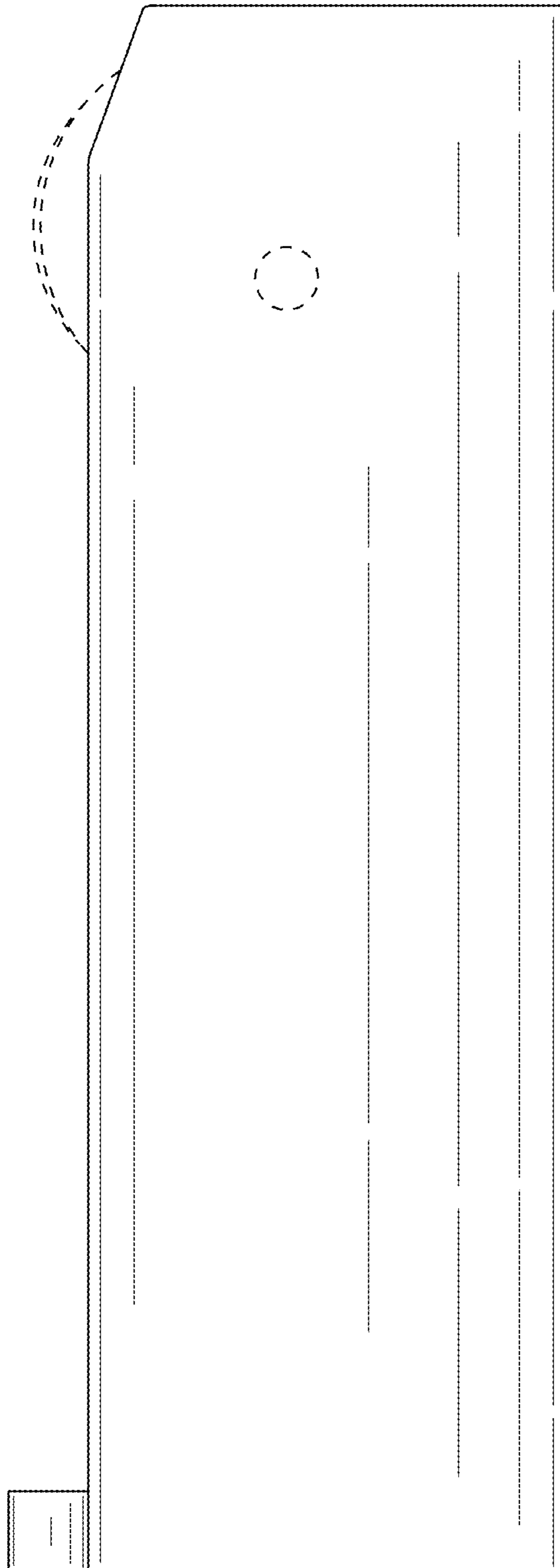


FIG. 4

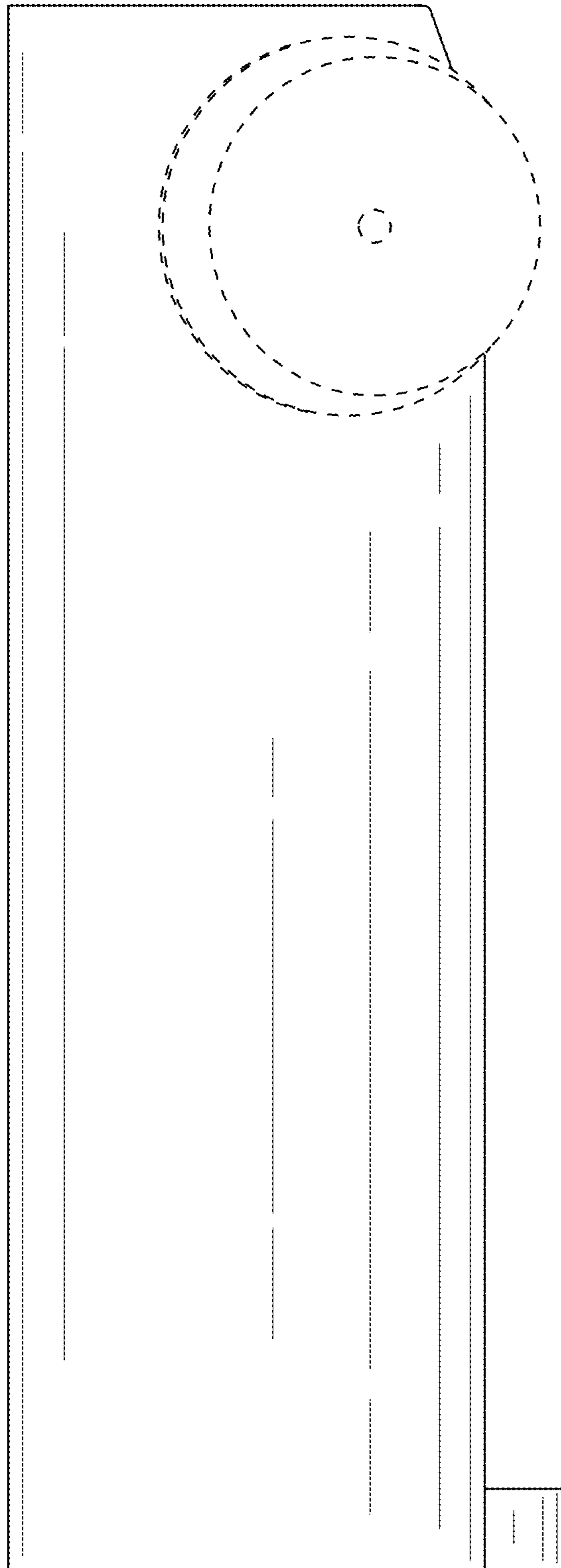


FIG. 5

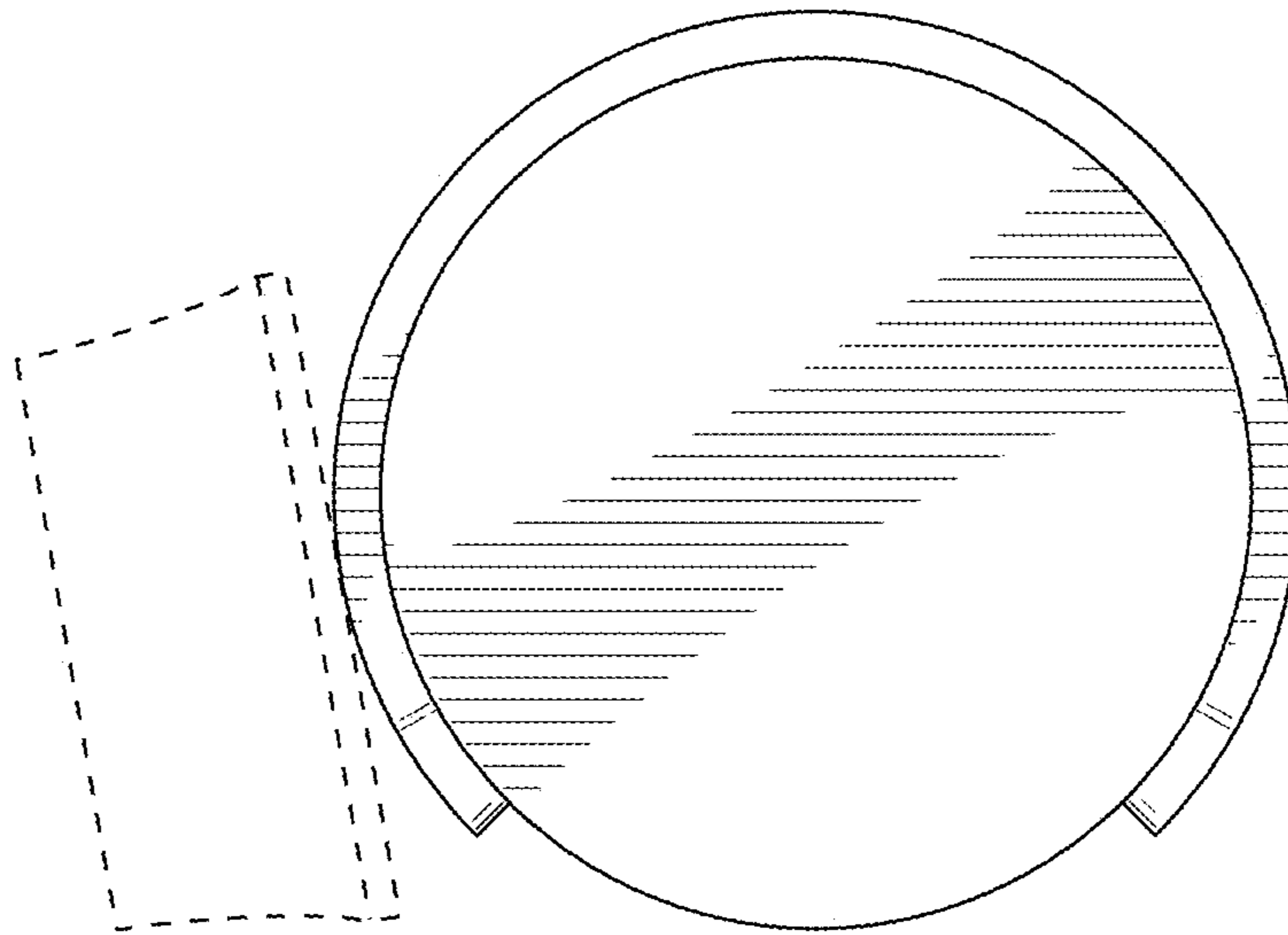


FIG. 6

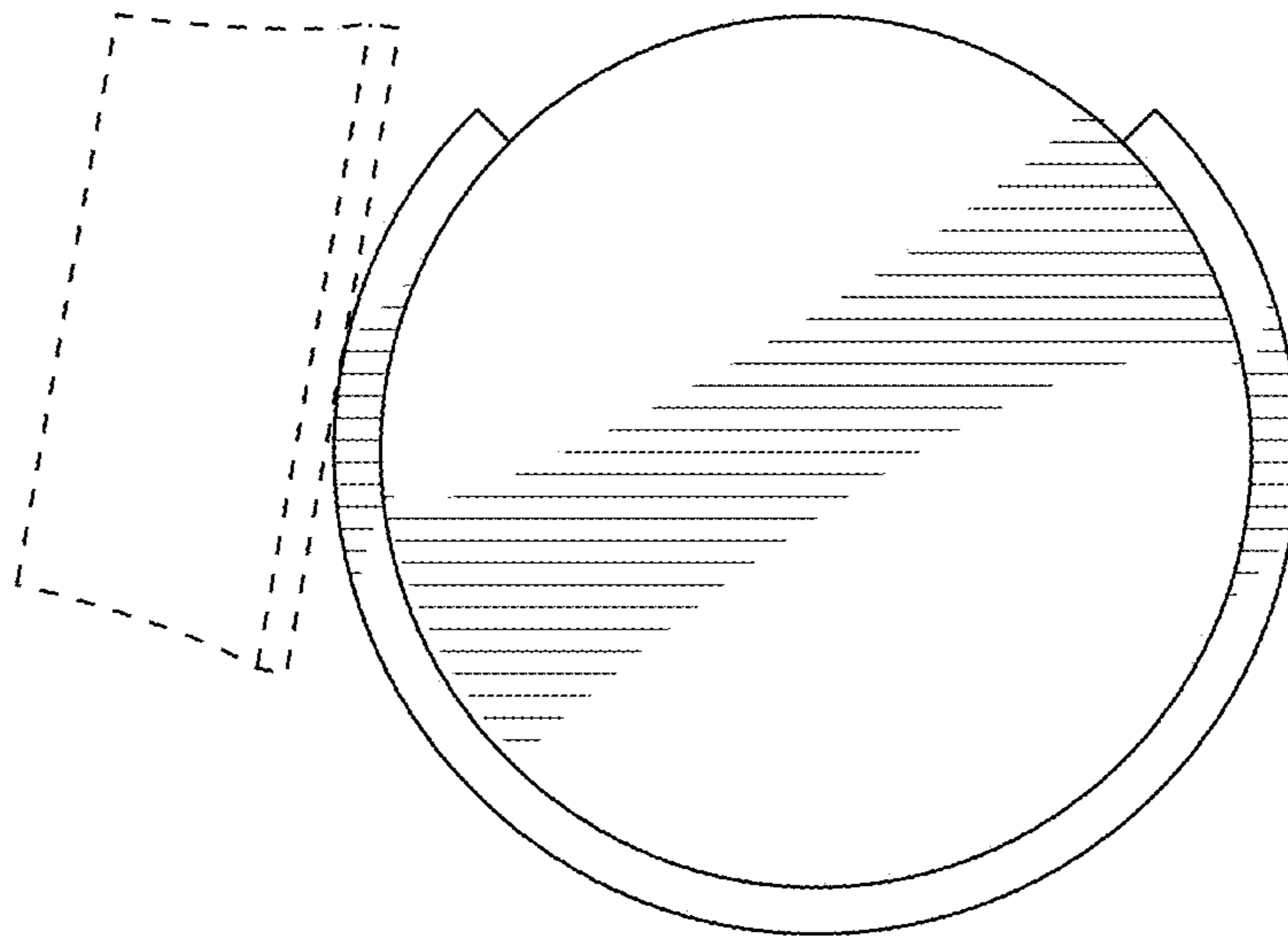


FIG. 7

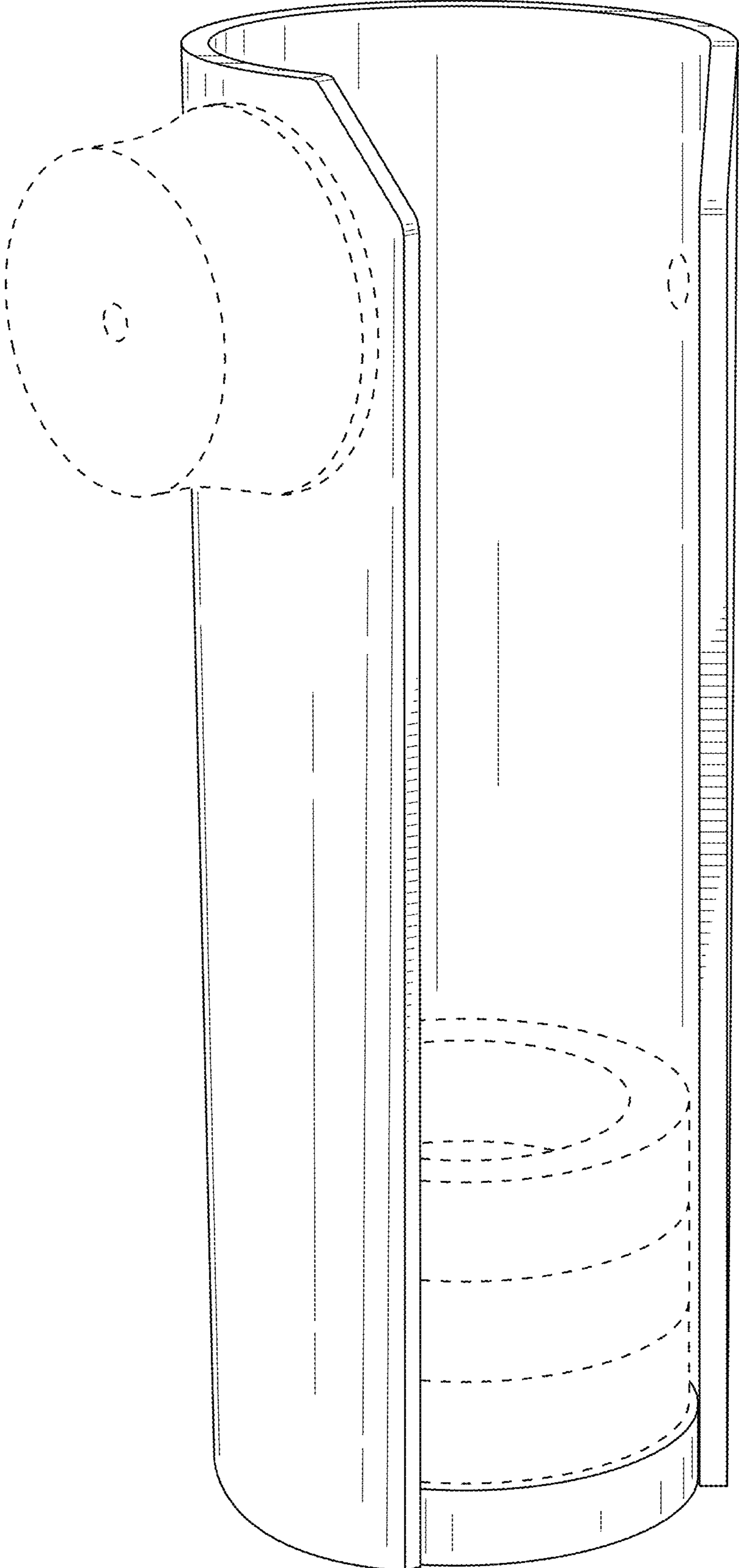


FIG. 8