



US00D900214S

(12) **United States Design Patent** (10) **Patent No.:** **US D900,214 S**
Sun (45) **Date of Patent:** **** Oct. 27, 2020**

(54) **LABEL PRINTER**

(71) Applicant: **ZHUHAI QUYIN TECHNOLOGY CO., LTD.**, Zhuhai (CN)

(72) Inventor: **Ruijuan Sun**, Zhuhai (CN)

(73) Assignee: **ZHUHAI QUYIN TECHNOLOGY CO., LTD.**, Zhuhai (CN)

(**) Term: **15 Years**

(21) Appl. No.: **29/728,490**

(22) Filed: **Mar. 19, 2020**

(30) **Foreign Application Priority Data**

Feb. 17, 2020 (CN) 2020 3 0052932

(51) **LOC (12) Cl.** **18-99**

(52) **U.S. Cl.**
USPC **D18/19**

(58) **Field of Classification Search**
USPC D18/14, 15, 16, 17, 18, 19, 50; D15/122, D15/135, 138, 141

CPC H04N 1/00204; H04N 1/00249; H04N 1/00278; G06K 15/12; G06K 15/14; B41J 3/00; B41J 3/28; B41J 3/445; B41J 3/46; B41J 11/0045; B41J 2/3358; B41J 2/155; B41J 2/17596; B41J 2/16552; B41J 2/16541; B41J 2002/20; B41J 2002/14475; B22F 3/105; B22F 3/008; B29C 35/00; B29C 35/02; B29C 35/04; B29C 35/06; B29C 35/08; B29C 35/10; B29C 35/12; B29C 35/14; B29C 35/16; B29C 35/18; B29C 37/00; B29C 37/02; B29C 37/04; B29C 67/00; B29C 67/02; B29C 67/04; B29C 67/06; B29C 67/08; B29C 67/20; B29C 67/24; B29C 69/00; B29C 69/02; B29C 70/00; B29C 70/02; B29C 70/04; B29C 70/06; B29C 70/08; B29C 70/10; B29C 70/12; B29C 70/14; B29C 70/16; B29C 70/18; B29C 70/20; B29C 70/22;

(Continued)

(56) **References Cited**

U.S. PATENT DOCUMENTS

D263,142 S * 2/1982 Nishi D18/54
D481,415 S 10/2003 Fisher et al.

(Continued)

FOREIGN PATENT DOCUMENTS

CN 305010703 * 1/2019

OTHER PUBLICATIONS

Amazon. Link: https://www.amazon.com/dp/B07NYPRBV5/ref=cm_sw_r_tw_dp_U_x_Jh6PCb64QFBHX. Feb. 19, 2019. Mini Label Printer, 4x6 Thermal Printer. (Year: 2019).*

Primary Examiner — Lauren D McVey

(57) **CLAIM**

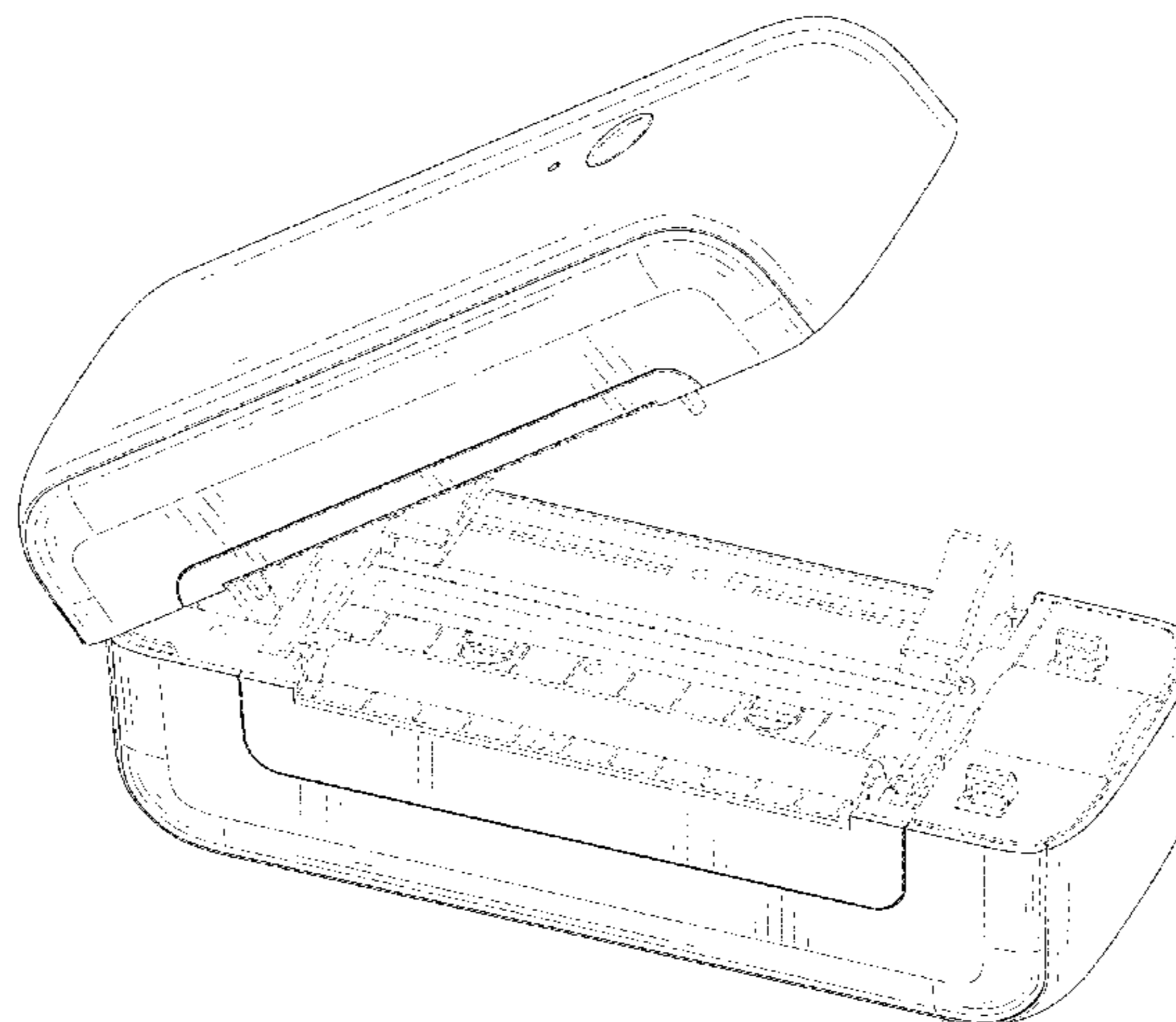
The ornamental design for a label printer, as shown and described.

DESCRIPTION

FIG. 1 is a perspective view of a label printer showing my new design in a closed configuration; FIG. 2 is another perspective view thereof; FIG. 3 is a front elevational view thereof; FIG. 4 is a rear elevational view thereof; FIG. 5 is a left side elevational view thereof; FIG. 6 is a right side elevational view thereof; FIG. 7 is a top plan view thereof; FIG. 8 is a bottom plan view thereof; and, FIG. 9 is a perspective view of the label printer in an open configuration.

The broken lines immediately adjacent to the shaded areas depict the bounds of the claimed design, while all other broken lines are directed to environment. The broken lines form no part of the claimed design.

1 Claim, 9 Drawing Sheets



(58) **Field of Classification Search**

CPC B29C 70/24; B29C 70/26; B29C 70/28;
B29C 41/12; B29C 41/36; B29C 67/0081;
B29K 2995/0021

See application file for complete search history.

(56) **References Cited**

U.S. PATENT DOCUMENTS

D492,719	S	*	7/2004	Schmitt	D18/50
D518,089	S	*	3/2006	Massey	D16/237
D518,090	S	*	3/2006	Massey	D16/237
D522,567	S	*	6/2006	Hwang	D18/50
D566,756	S	*	4/2008	Massey	D18/50
D658,227	S	*	4/2012	Schoenert	D14/331
D677,720	S		3/2013	Tanaka et al.		
D740,881	S	*	10/2015	So	D18/50
D751,141	S	*	3/2016	Minamide	D18/50
D822,101	S	*	7/2018	Iwai	D18/50
D844,052	S	*	3/2019	Oishi	D18/50
D851,698	S	*	6/2019	Oishi	D18/50
D857,092	S		8/2019	Michie et al.		
D859,517	S	*	9/2019	Meyer	D18/19

* cited by examiner

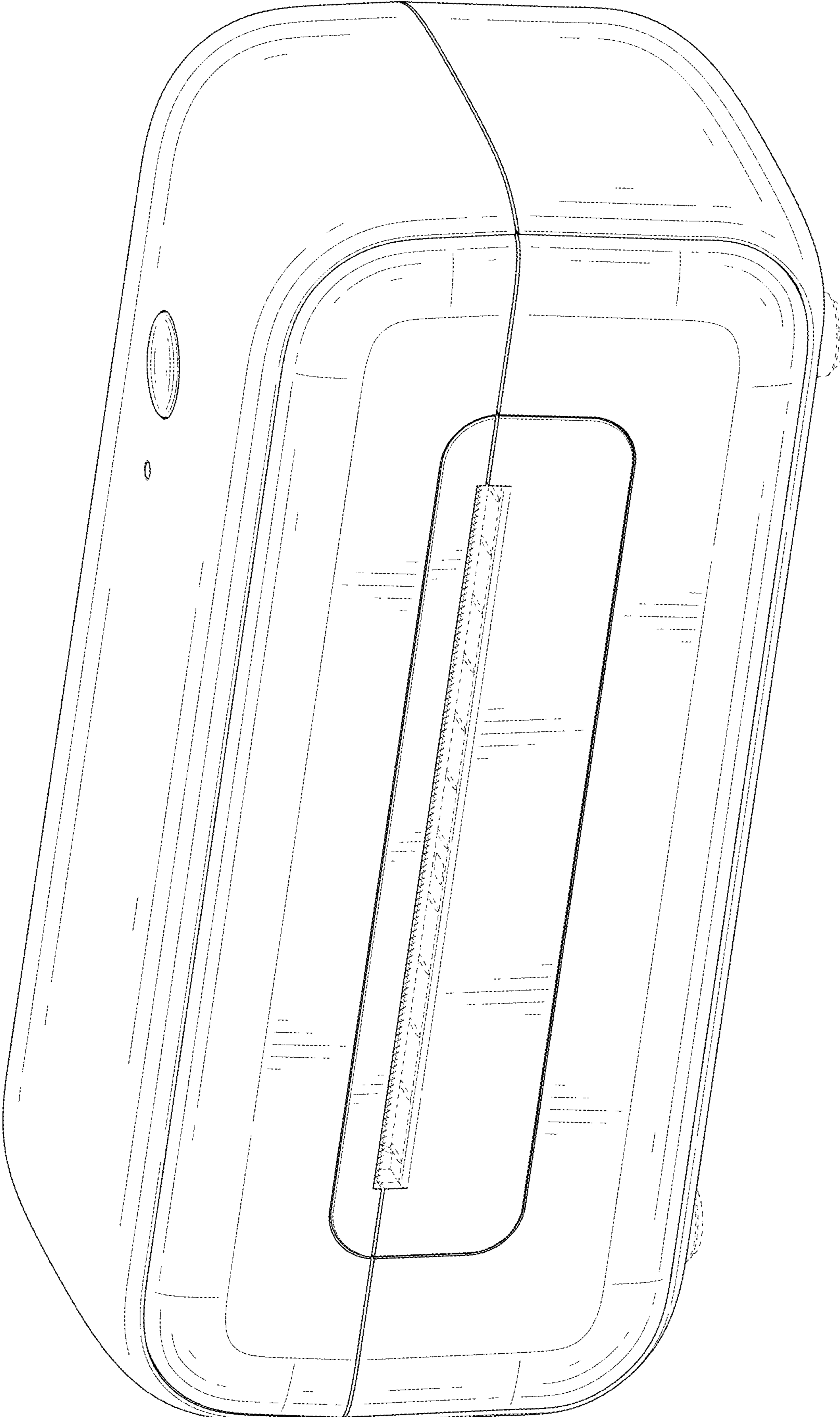


FIG. 1

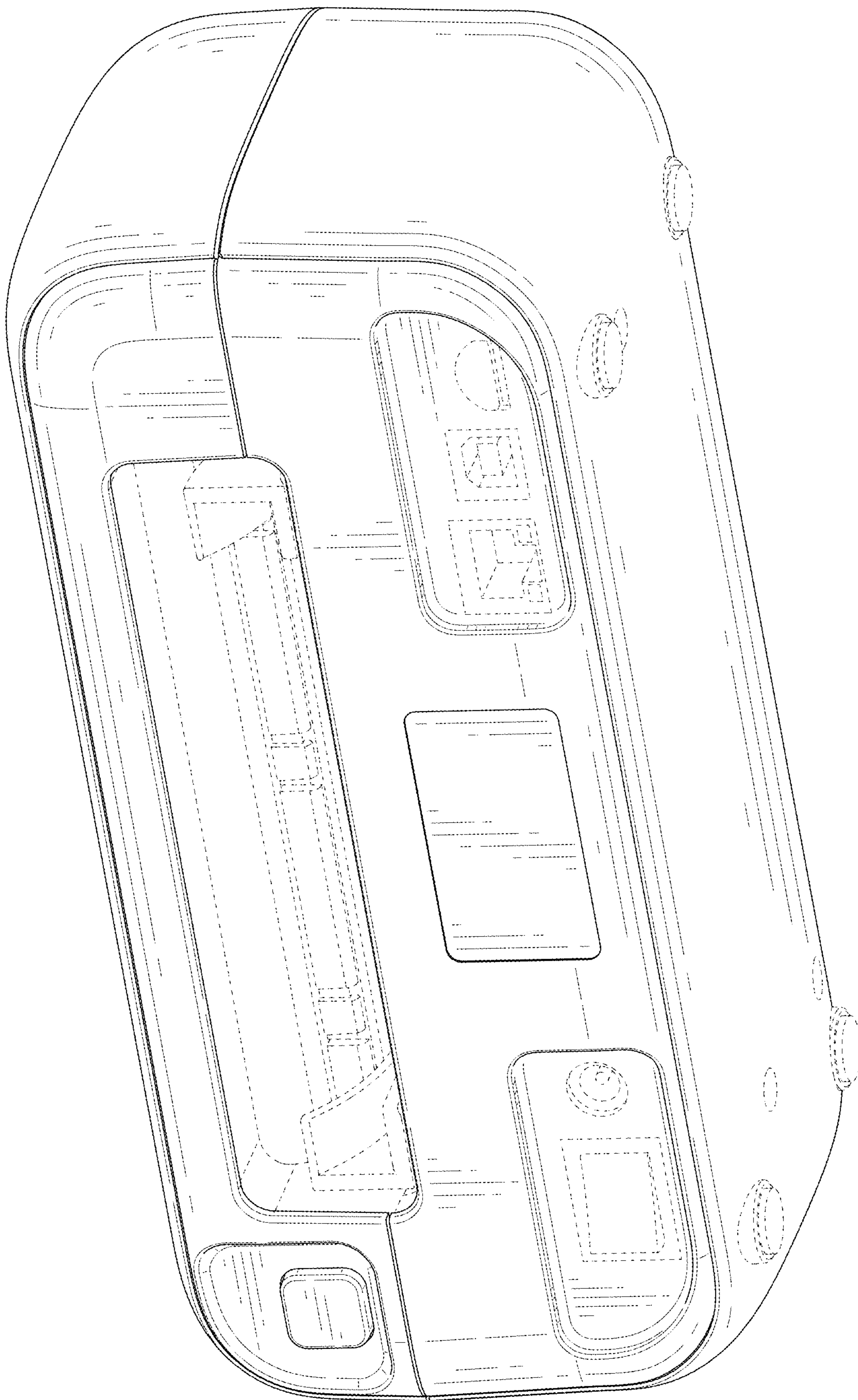


FIG. 2

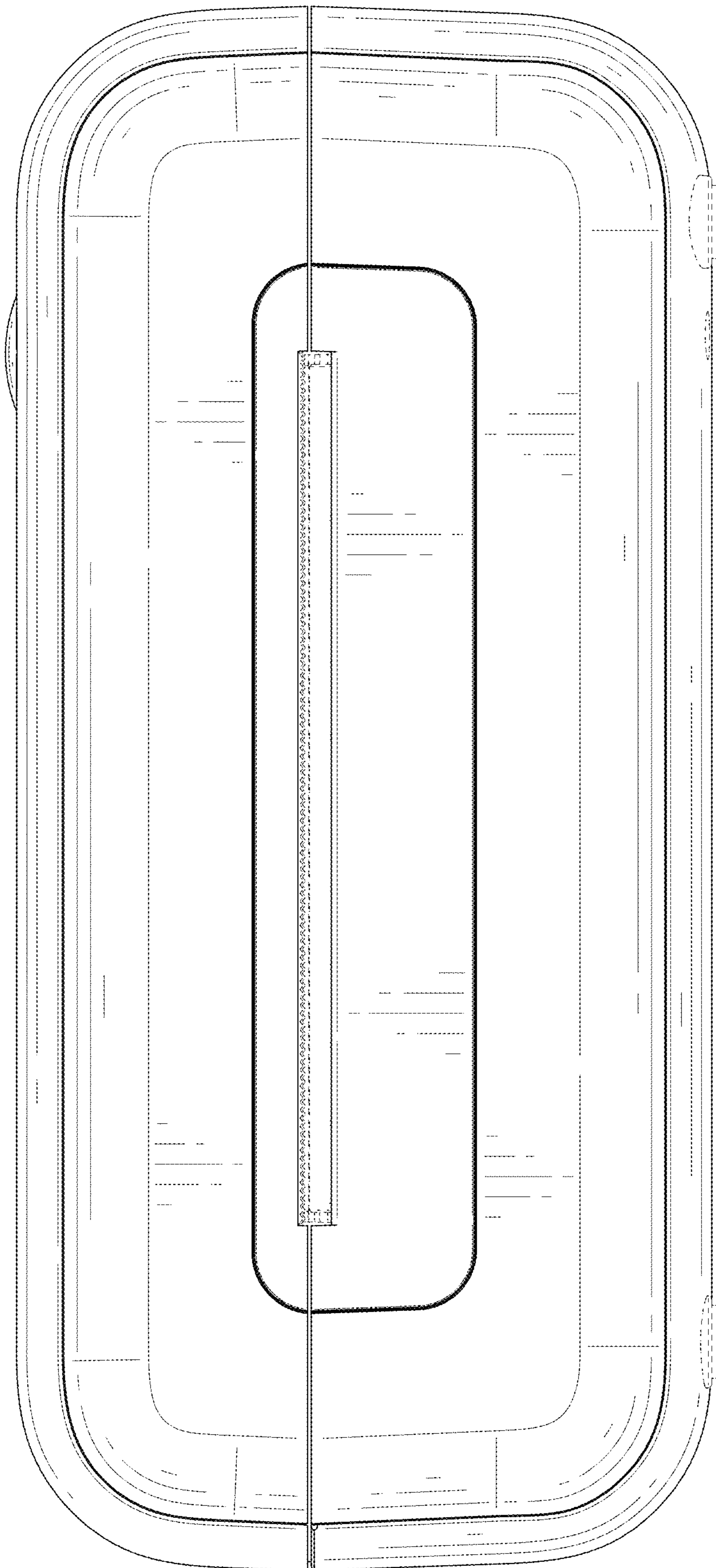


FIG. 3

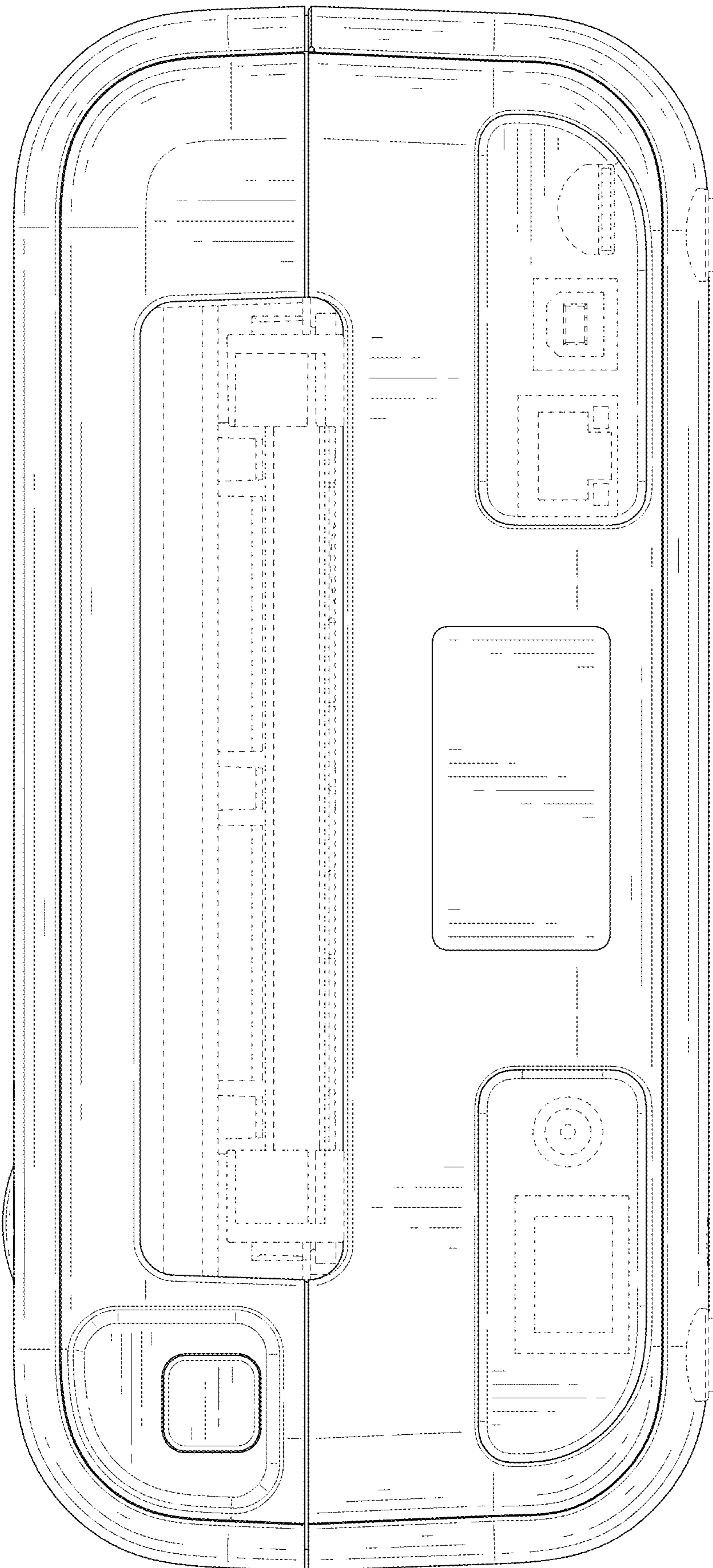


FIG. 4

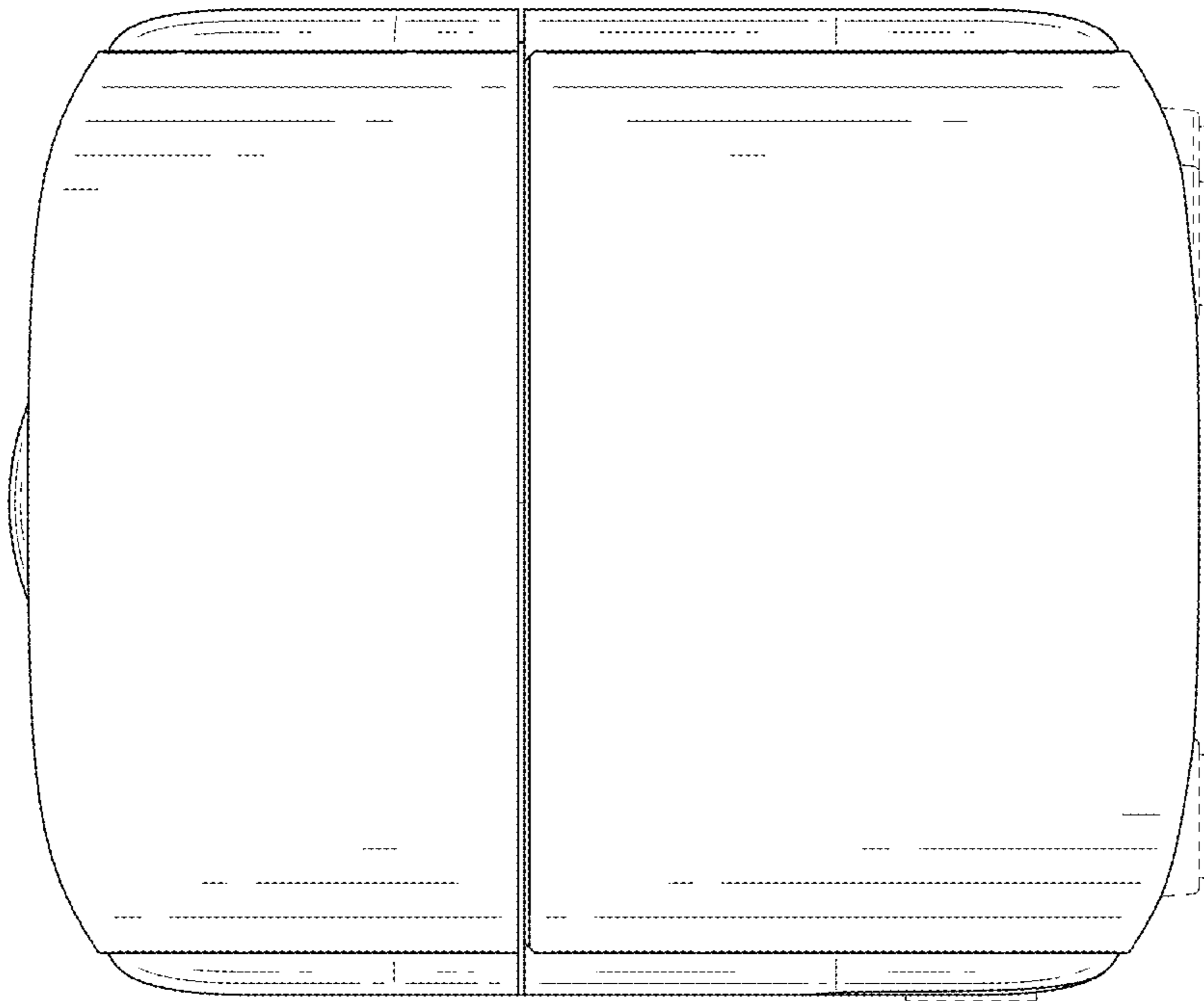


FIG. 5

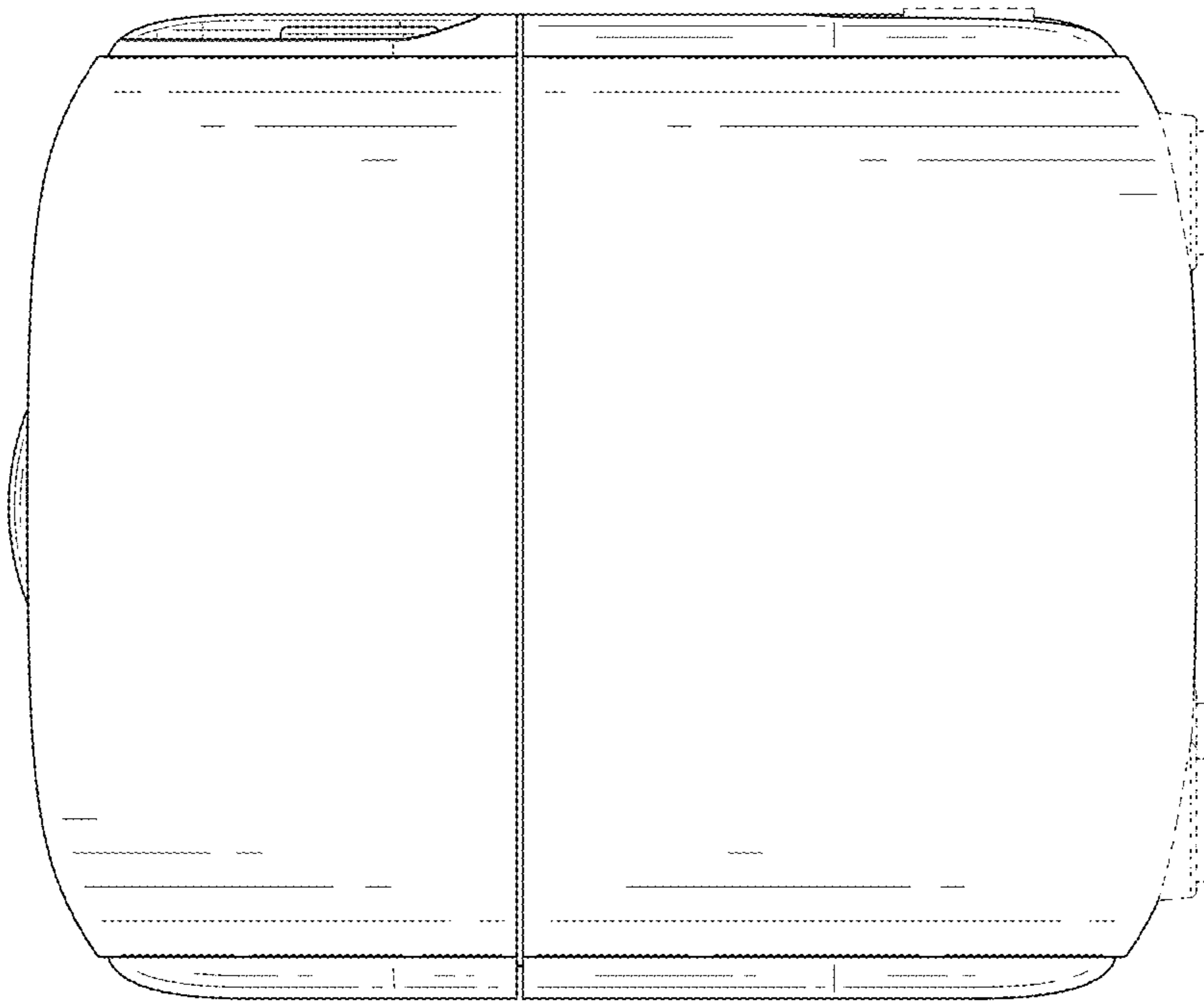


FIG. 6

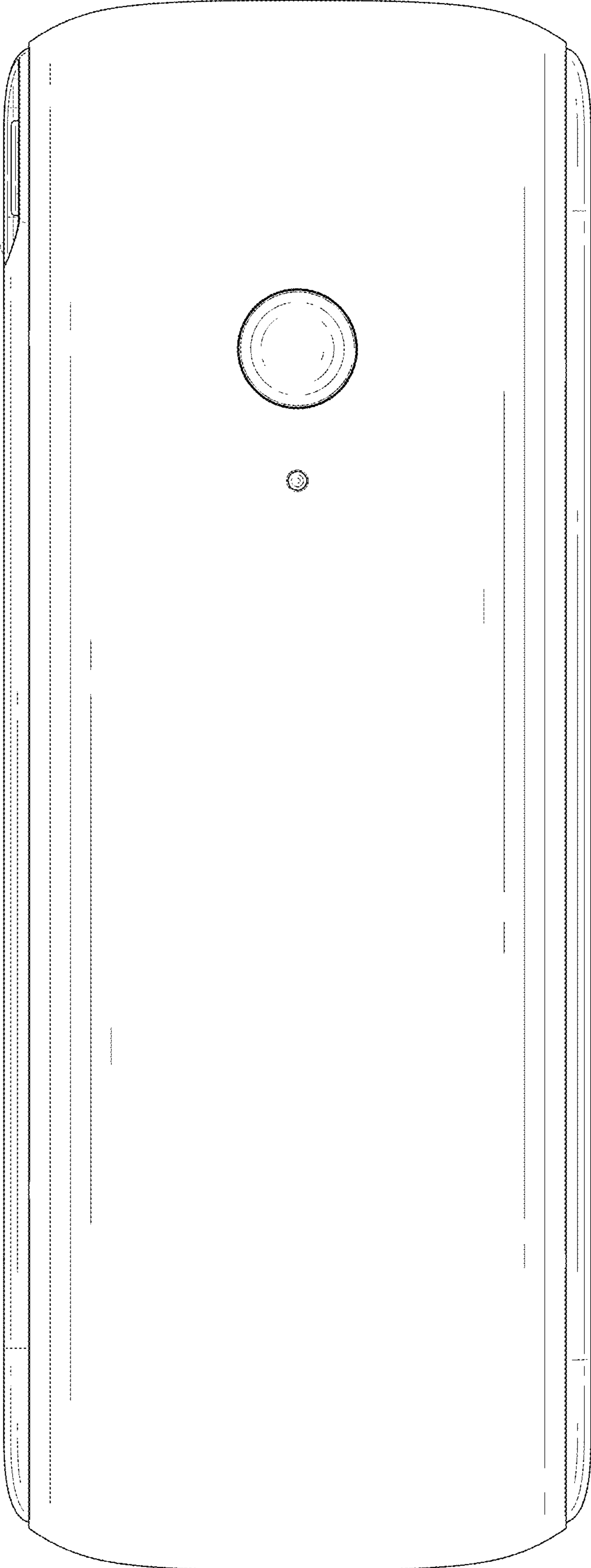


FIG. 7

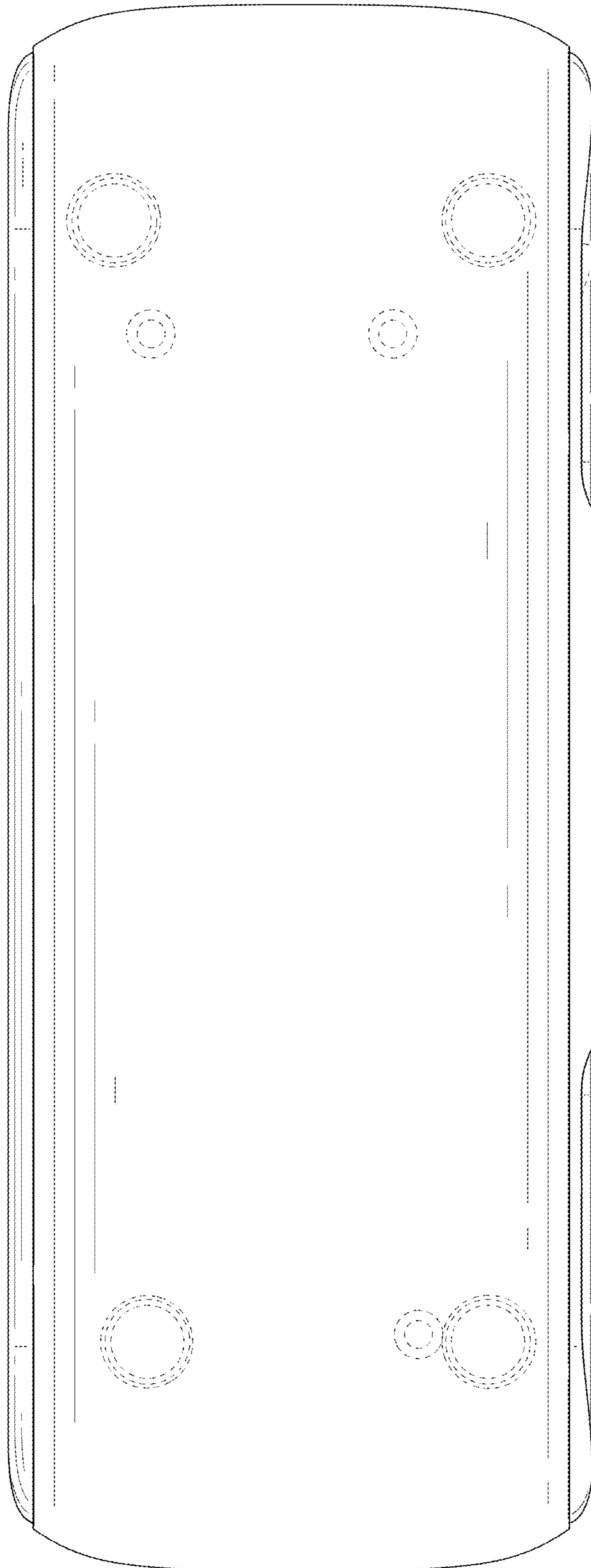


FIG. 8

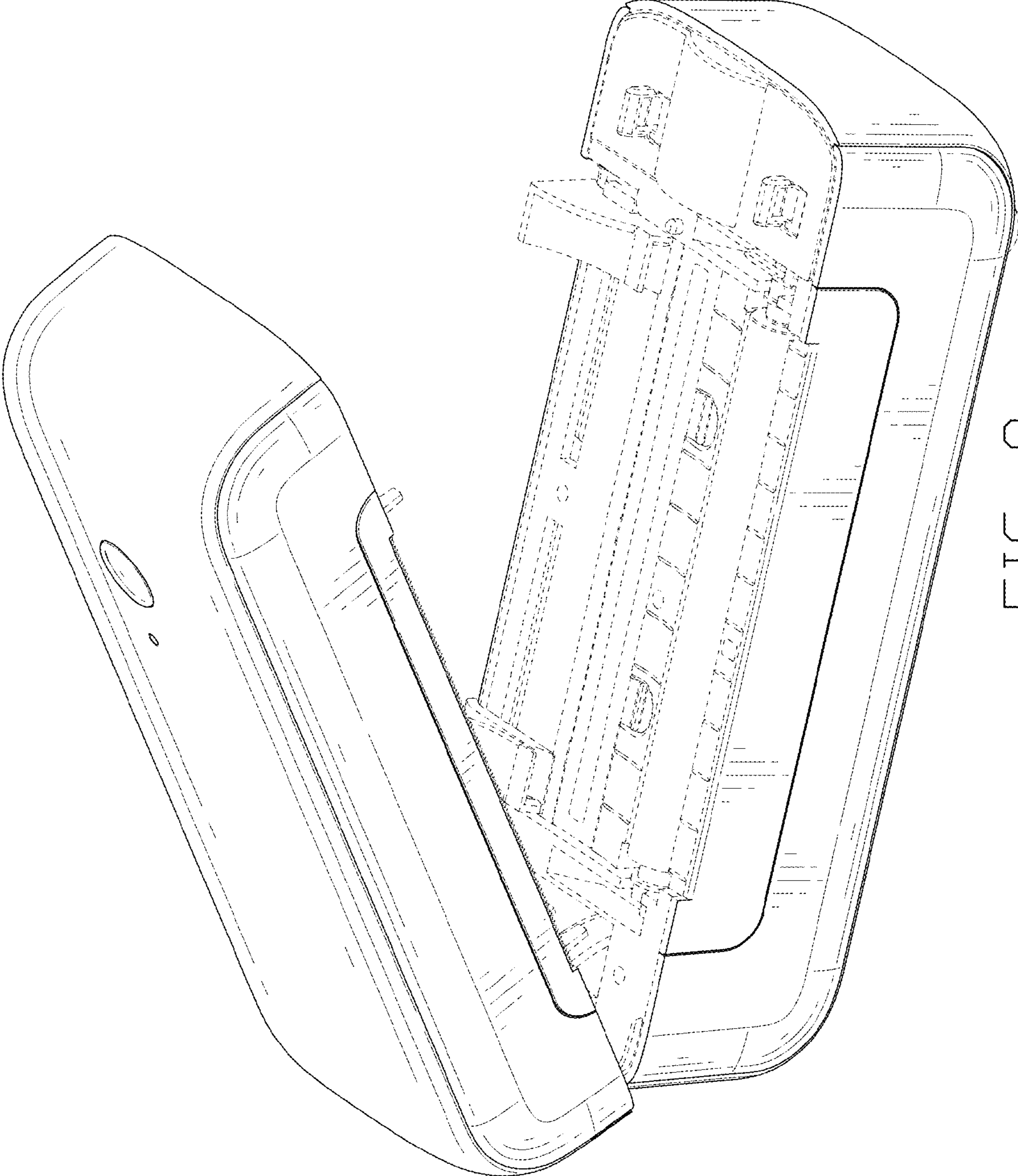


FIG. 9