



US00D900211S

(12) **United States Design Patent** (10) **Patent No.:** **US D900,211 S**
Wong Mun Hon et al. (45) **Date of Patent:** **** Oct. 27, 2020**

(54) **MEDIA PROCESSING DEVICE**

- (71) Applicant: **Zebra Technologies Corporation**,
Lincolnshire, IL (US)
- (72) Inventors: **Randal Wong Mun Hon**, Singapore
(SG); **Kurt Botsai**, Thousand Oaks, CA
(US); **Kuan-Ying Lu**, Taichung (TW);
Petrica Dorinel Balcan, Thousand
Oaks, CA (US)
- (73) Assignee: **Zebra Technologies Corporation**,
Lincolnshire, IL (US)
- (**) Term: **15 Years**

- (21) Appl. No.: **29/673,835**
- (22) Filed: **Dec. 18, 2018**
- (51) **LOC (12) Cl.** **18-99**
- (52) **U.S. Cl.**
USPC **D18/19**
- (58) **Field of Classification Search**
USPC D18/14, 15, 16, 17, 18, 19, 50, 53, 54,
D18/55, 36, 37, 38, 39, 40, 41, 45;
D19/65, 66, 67, 68, 69, 70, 71; D14/301,
D14/307, 121
CPC H04N 1/00204; H04N 1/00249; H04N
1/00278; G06K 15/12; G06K 15/14; B41J
3/00; B41J 3/28; B41J 3/445; B41J 3/46;
(Continued)

(56) **References Cited**

U.S. PATENT DOCUMENTS

- 6,609,844 B1 * 8/2003 Petteruti B41J 3/36
101/407.1
D532,038 S * 11/2006 Hutchinson D18/50
(Continued)

FOREIGN PATENT DOCUMENTS

- WO WO-2016104562 A1 * 6/2016 B41J 3/36

OTHER PUBLICATIONS

Amazon. Link: https://www.amazon.com/dp/B07Z0761TH/ref=cm_sw_r_tw_dp_U_x_LiZmEbAS8BXYQ. Oct. 29, 2019. LOSRE-CAL Thermal Receipt Printer of 300mm. (Year: 2019).*

(Continued)

Primary Examiner — Lauren D McVey

(57) **CLAIM**

We claim the ornamental design for a media processing device, as shown and described.

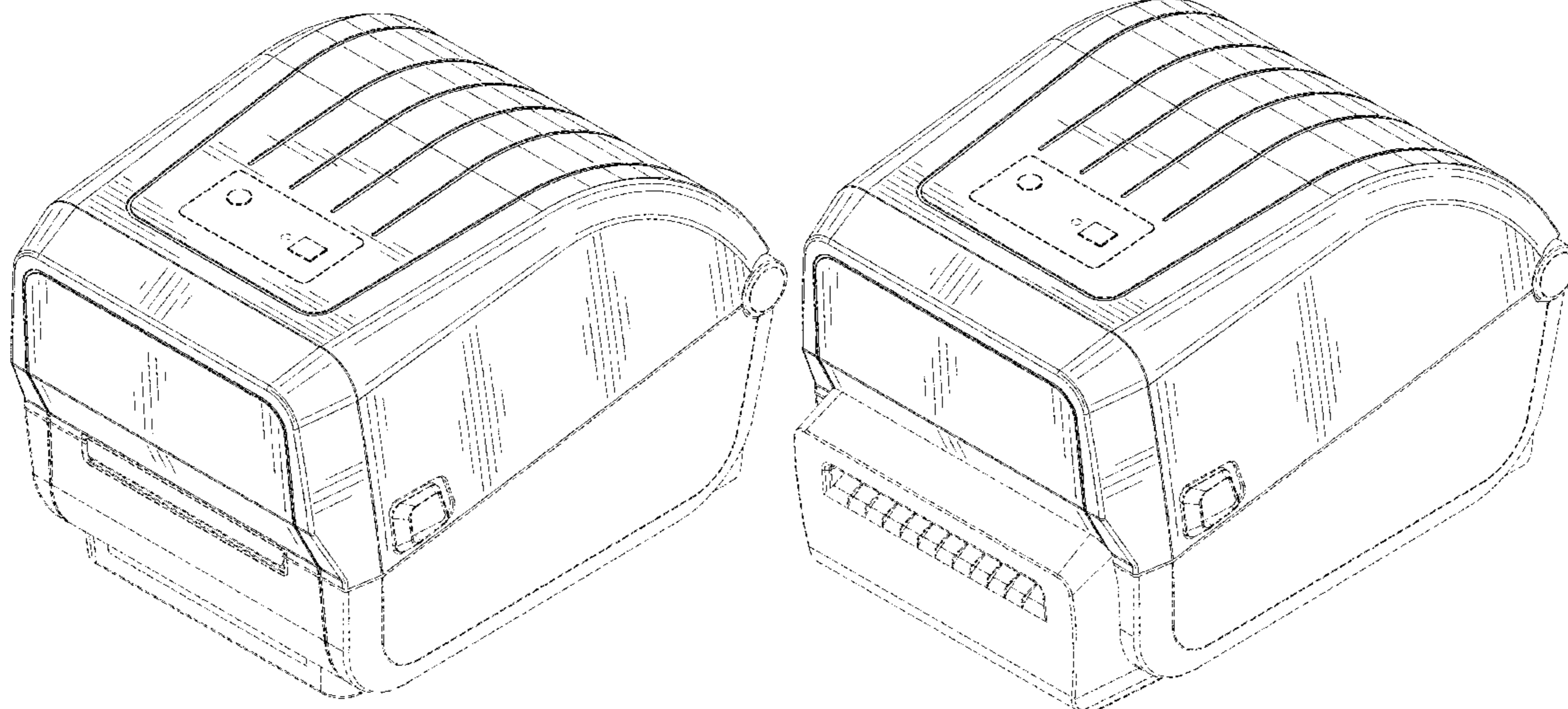
DESCRIPTION

FIG. 1 is a front perspective view of a first embodiment of a media processing device, showing our new design; FIG. 2 is a rear perspective view thereof; FIG. 3 is a first side elevation view thereof; FIG. 4 is a second side elevation view thereof; FIG. 5 is a front elevation view thereof; FIG. 6 is a rear elevation view thereof; FIG. 7 is a top plan view thereof; and FIG. 8 is a bottom plan view thereof. FIG. 9 is a front perspective view of a second embodiment of a media processing device; FIG. 10 is a rear perspective view thereof; FIG. 11 is a first side elevation view thereof; FIG. 12 is a second side elevation view thereof; FIG. 13 is a front elevation view thereof; FIG. 14 is a rear elevation view thereof; FIG. 15 is a top plan view thereof; and, FIG. 16 is a bottom plan view thereof.

The broken lines immediately adjacent to the shaded areas depict the bounds of the claimed design, while all other broken lines are directed to environment. The broken lines form no part of the claimed design.

The wire frame lines shown throughout the views indicate surface contour.

1 Claim, 14 Drawing Sheets



(58) **Field of Classification Search**

CPC B41J 11/0045; B41J 2/3358; B41J 3/36;
B41J 3/382

See application file for complete search history.

(56) **References Cited**

U.S. PATENT DOCUMENTS

7,600,684 B2 * 10/2009 Tobin B41J 2/32
235/432
8,882,371 B2 11/2014 Chen et al.
D765,773 S * 9/2016 Ozawa D18/14
9,434,191 B2 * 9/2016 Preliasco B41J 17/02
D771,182 S * 11/2016 Takahashi D18/50
D790,006 S * 6/2017 Yoshida D18/14
9,919,540 B1 3/2018 Wong et al.
D820,351 S * 6/2018 Maeda D18/19
D838,311 S * 1/2019 Maeda D18/19
D857,092 S * 8/2019 Michie D18/19
2009/0317161 A1 * 12/2009 Vo B41J 17/32
400/207
2011/0273860 A1 * 11/2011 Corvese B41J 3/36
361/816
2016/0236492 A1 * 8/2016 Hutnak B41J 3/36

OTHER PUBLICATIONS

Amazon. Link: https://www.amazon.com/dp/B07ZNJQVNP/ref=cm_sw_r_tw_dp_U_x_AIZmEb4BS42XT. Oct. 28, 2019. LOSRE-CAL Thermal Receipt Printer. (Year: 2019).*
ZD620 and ZD420:Link-OS 4 inch Desktop Printers User's Guide, Rev A, Published Aug. 2018, p. 22, 29.

* cited by examiner

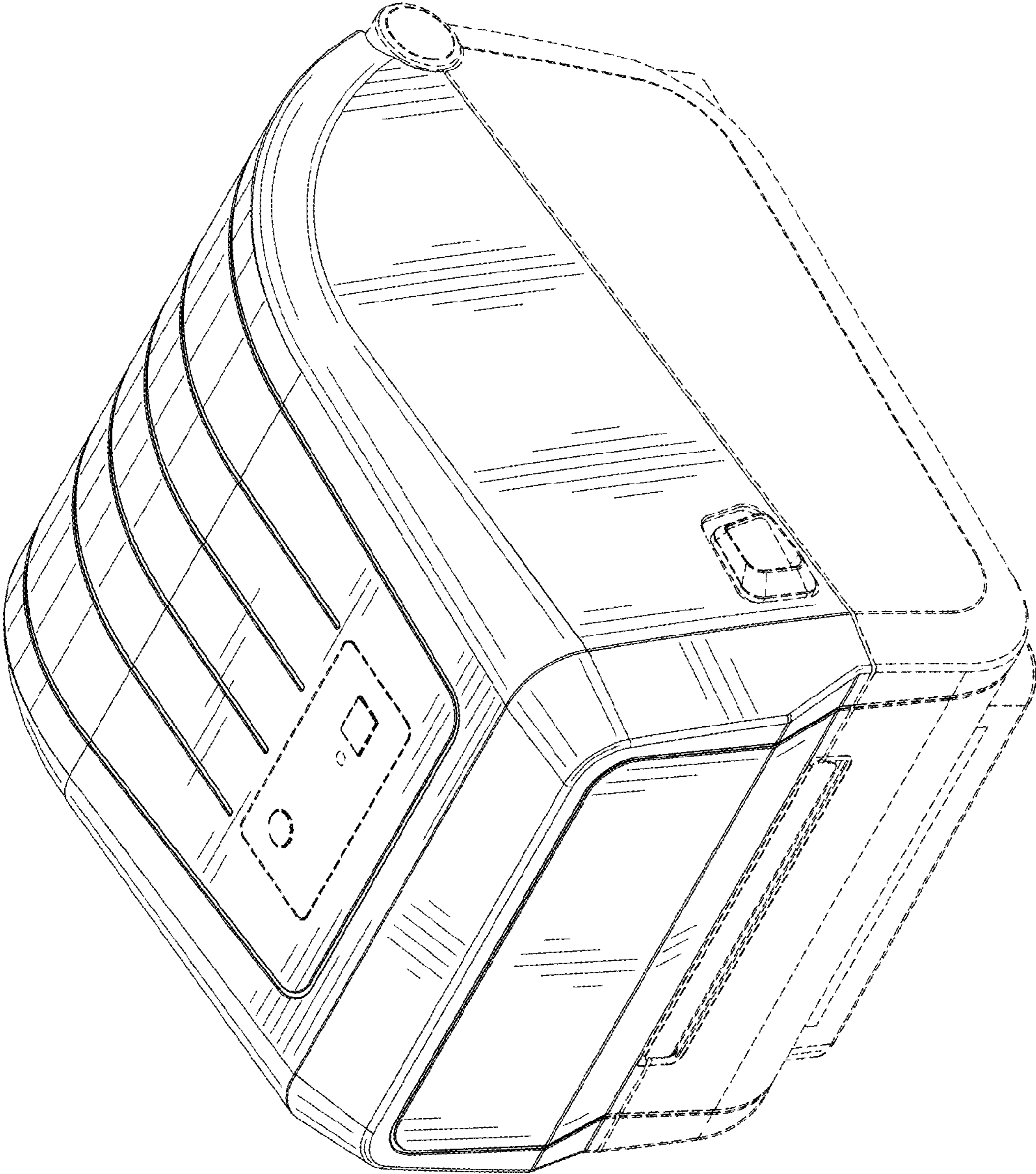


FIG. 1

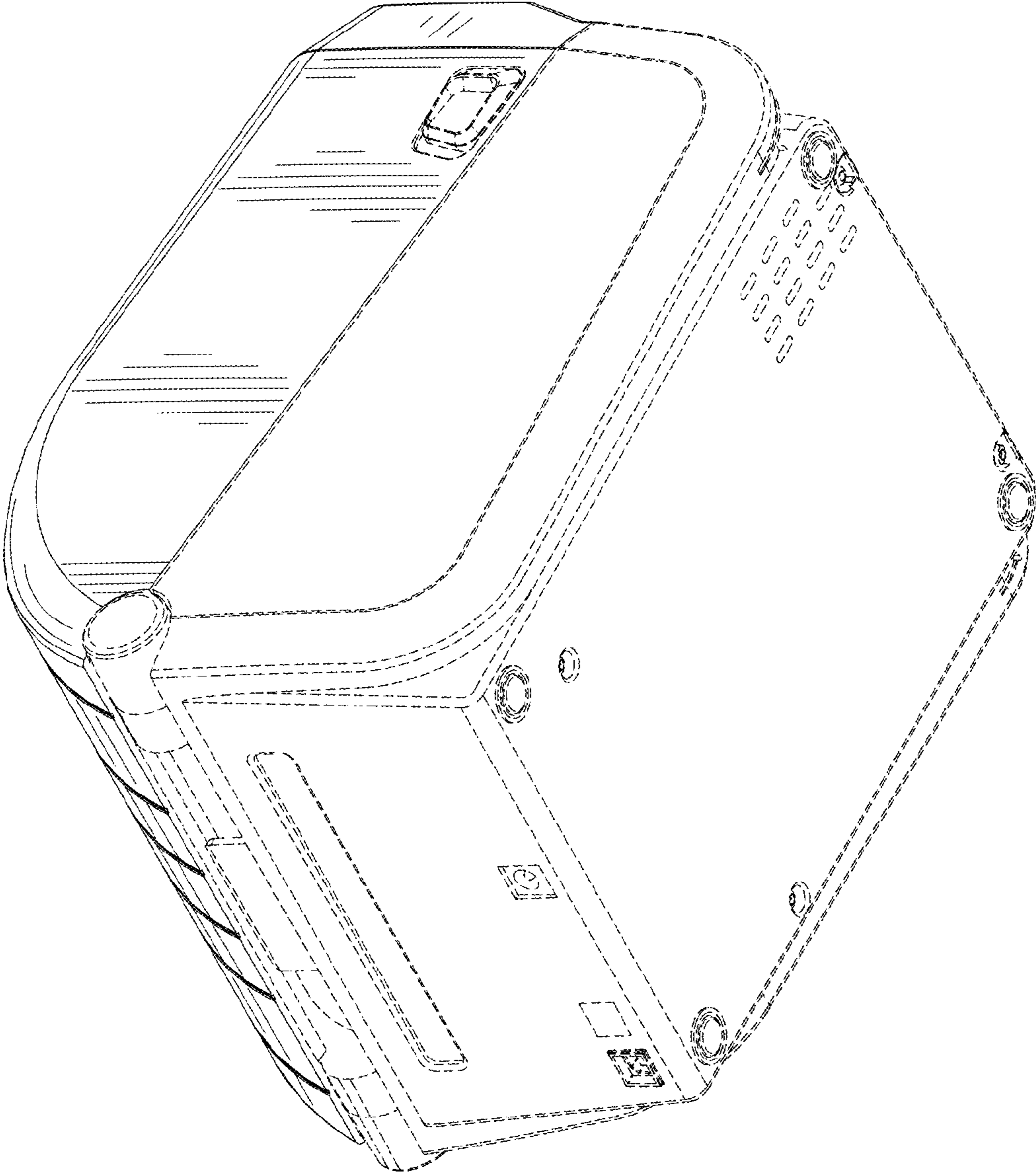


FIG. 2

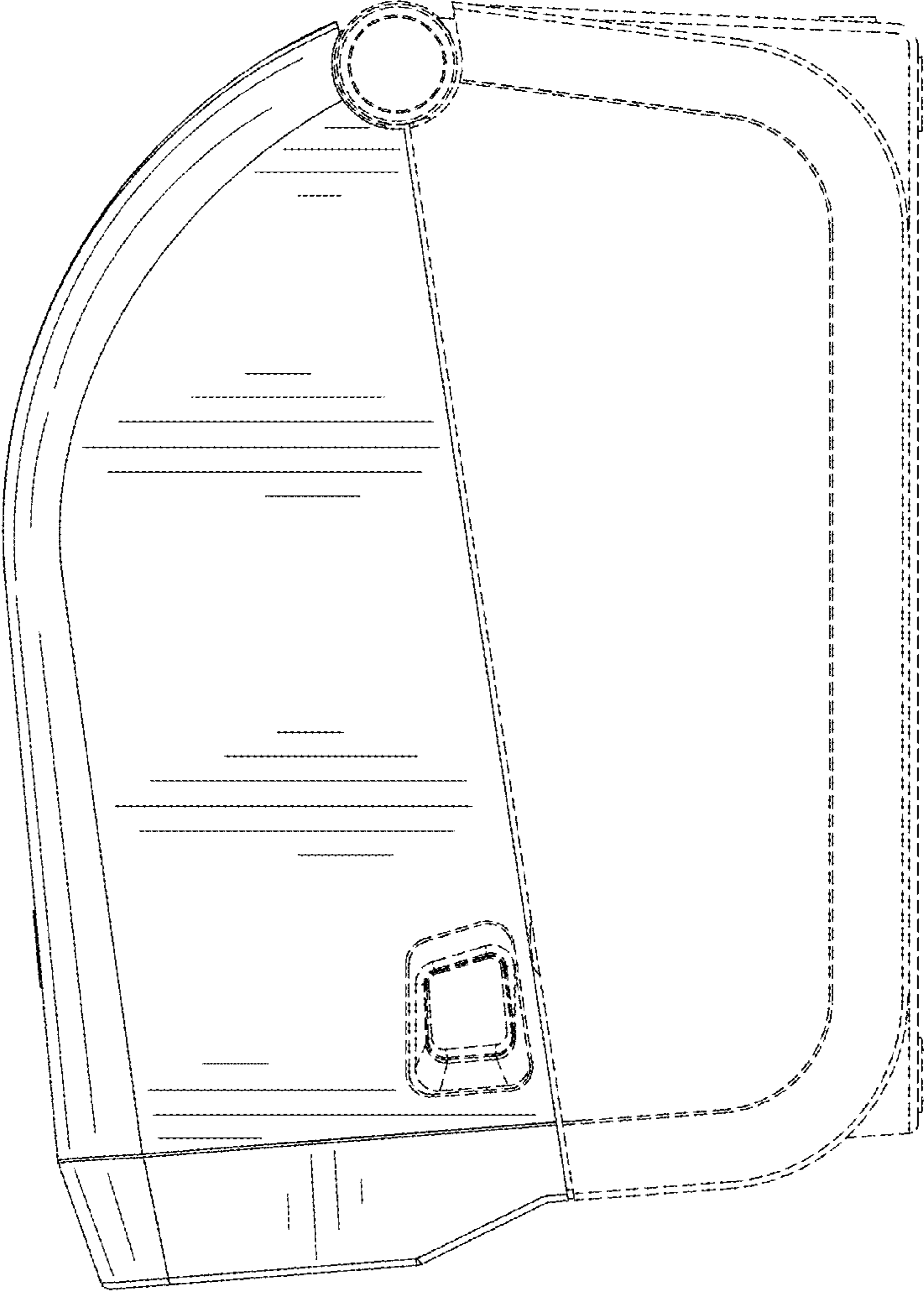


FIG. 3

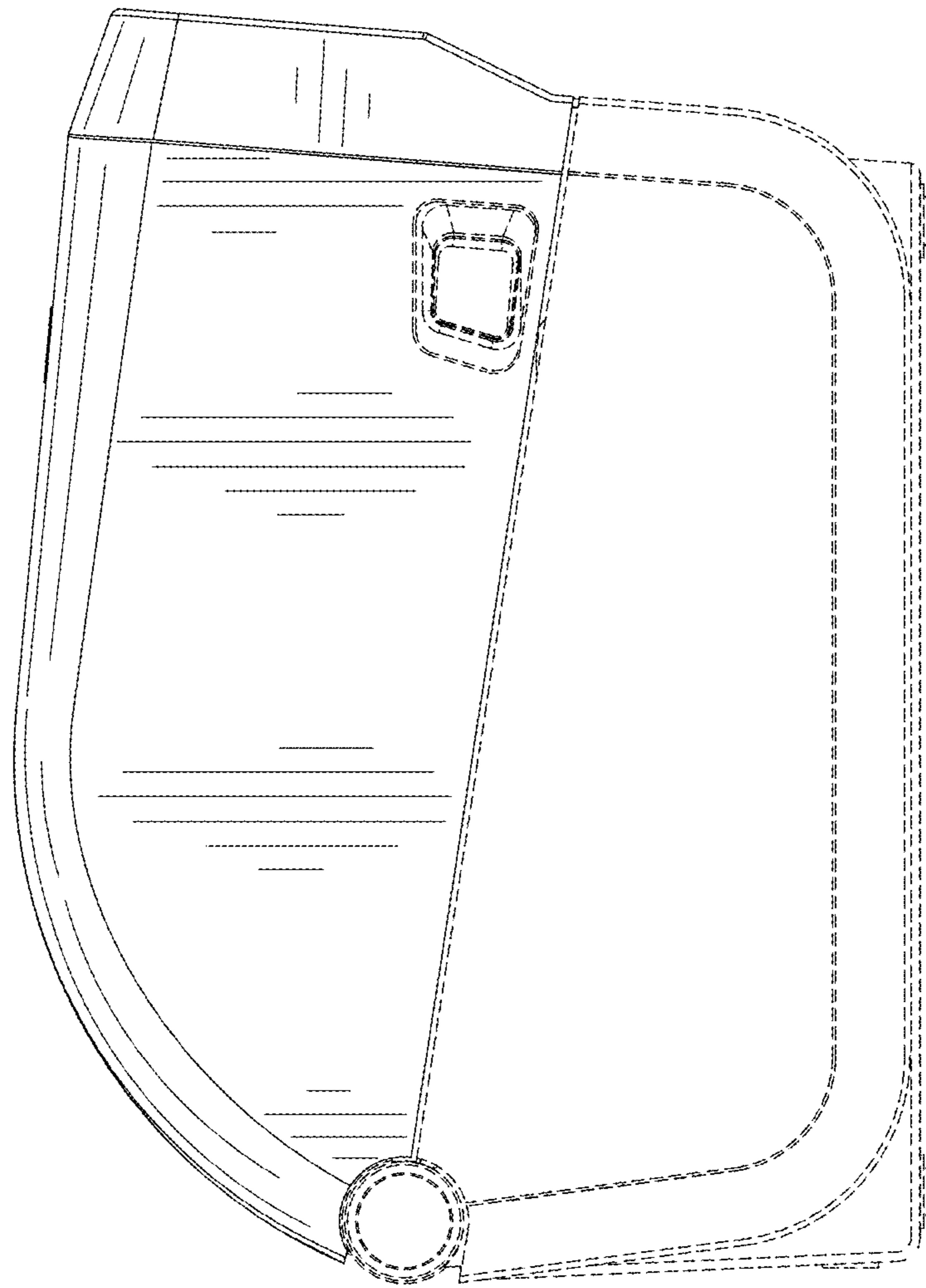


FIG. 4

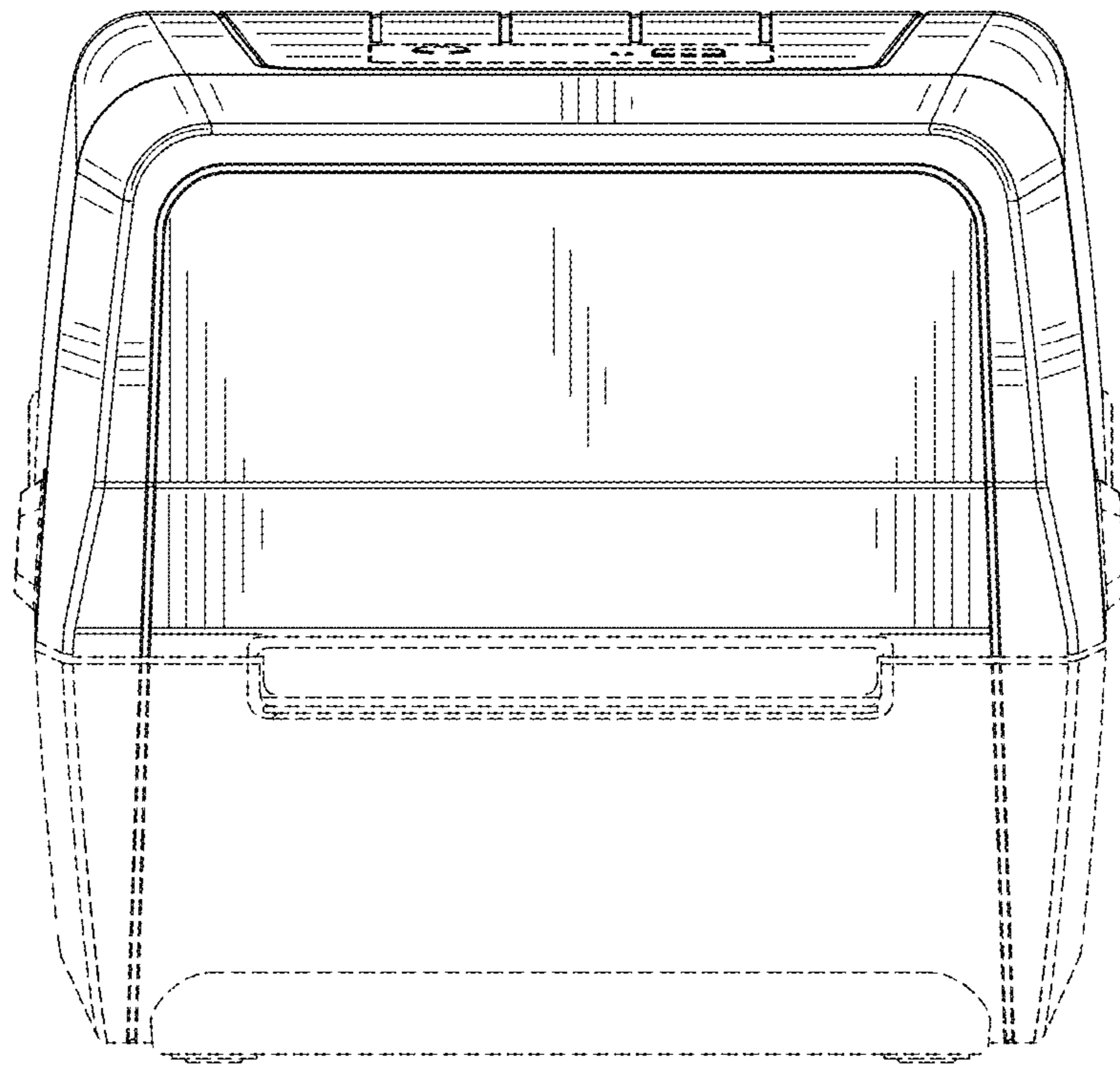


FIG. 5

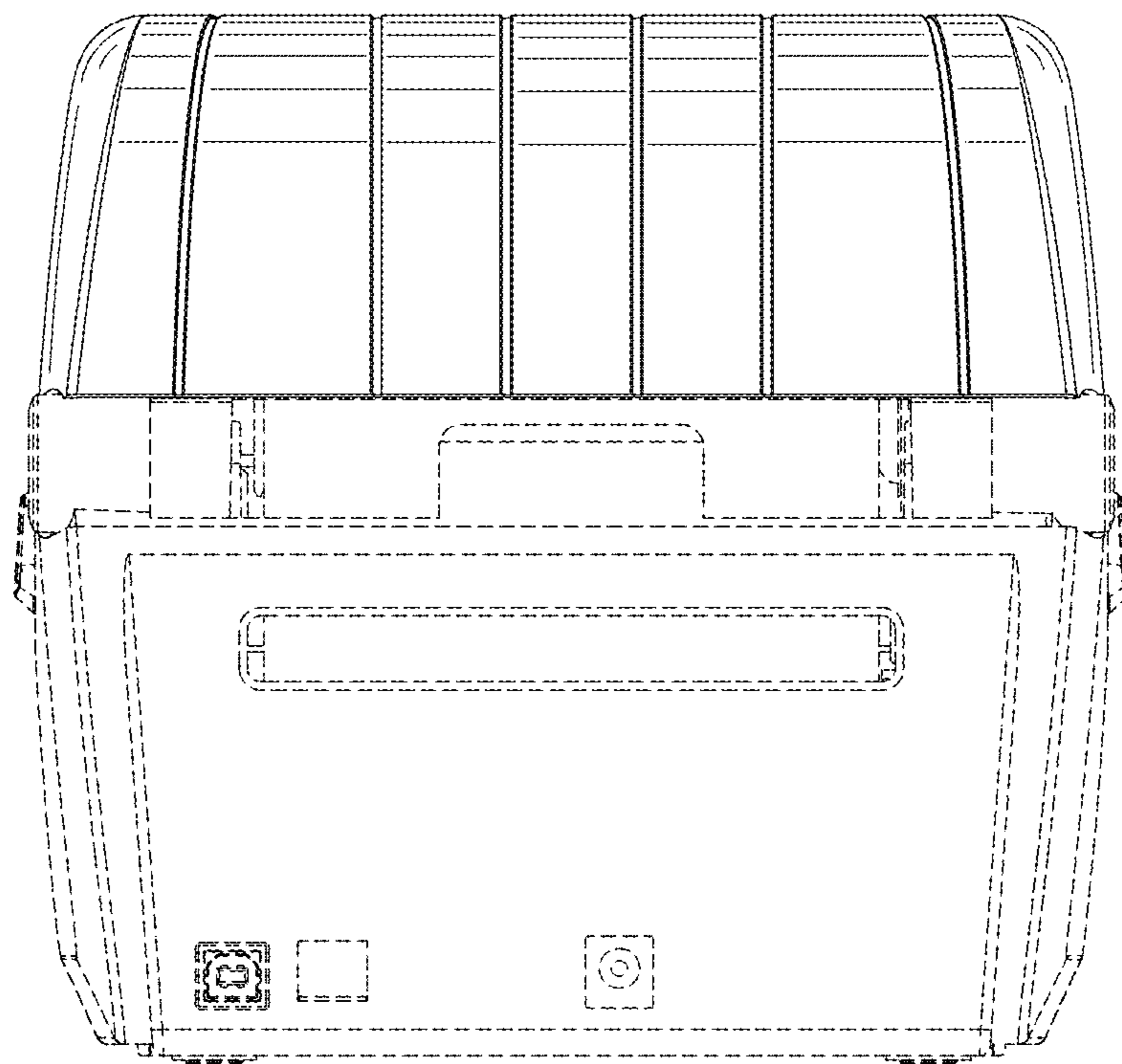


FIG. 6

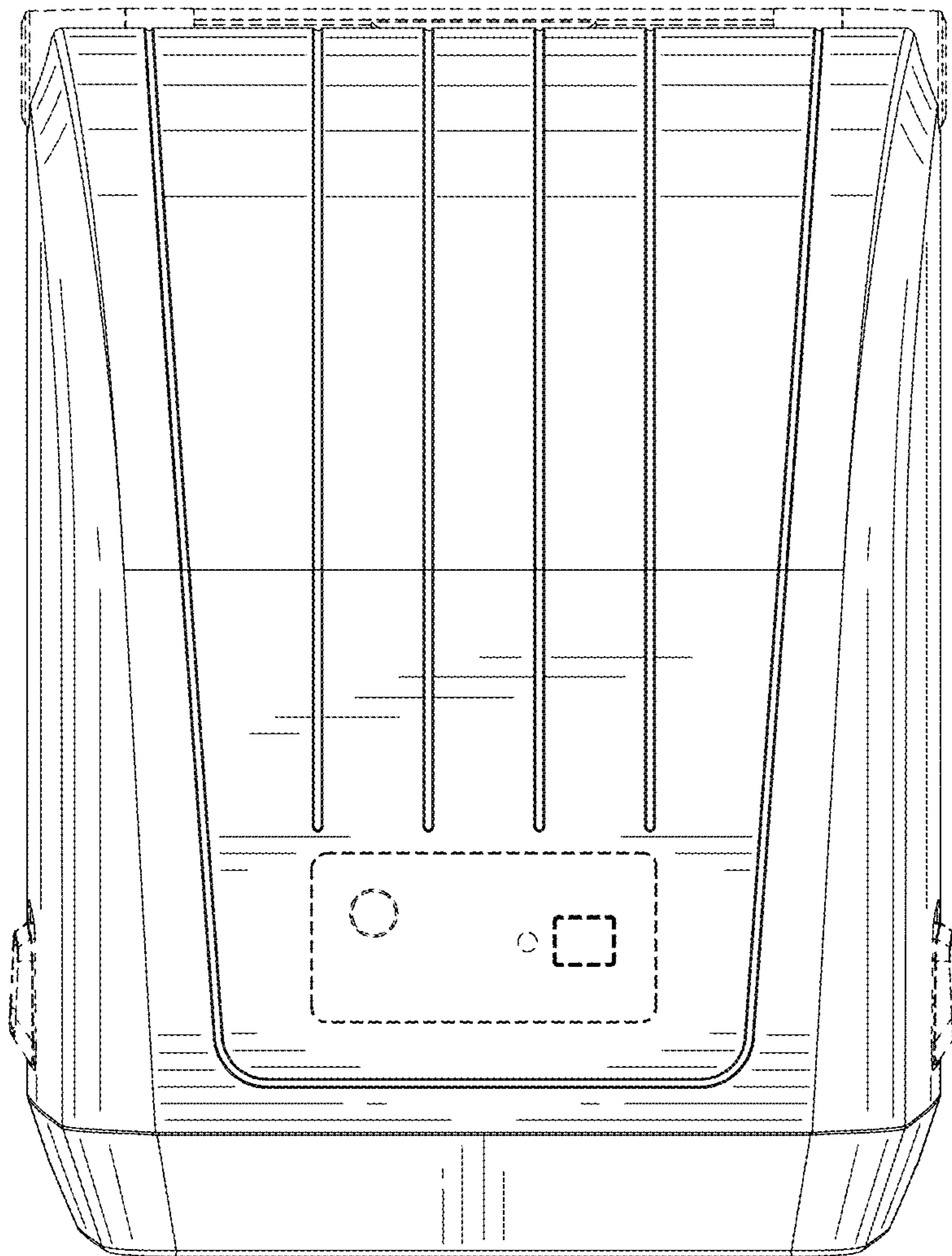


FIG. 7

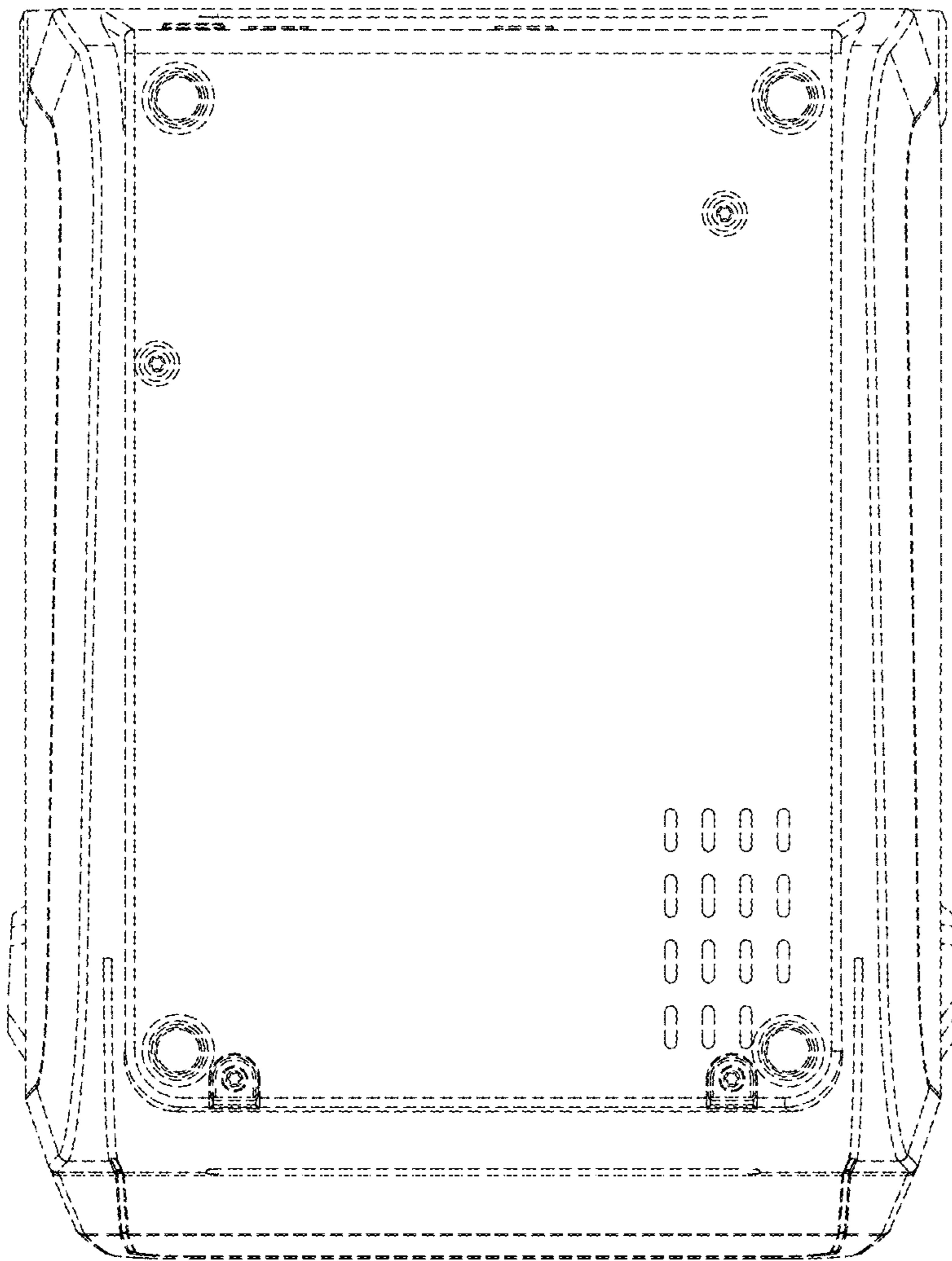


FIG. 8

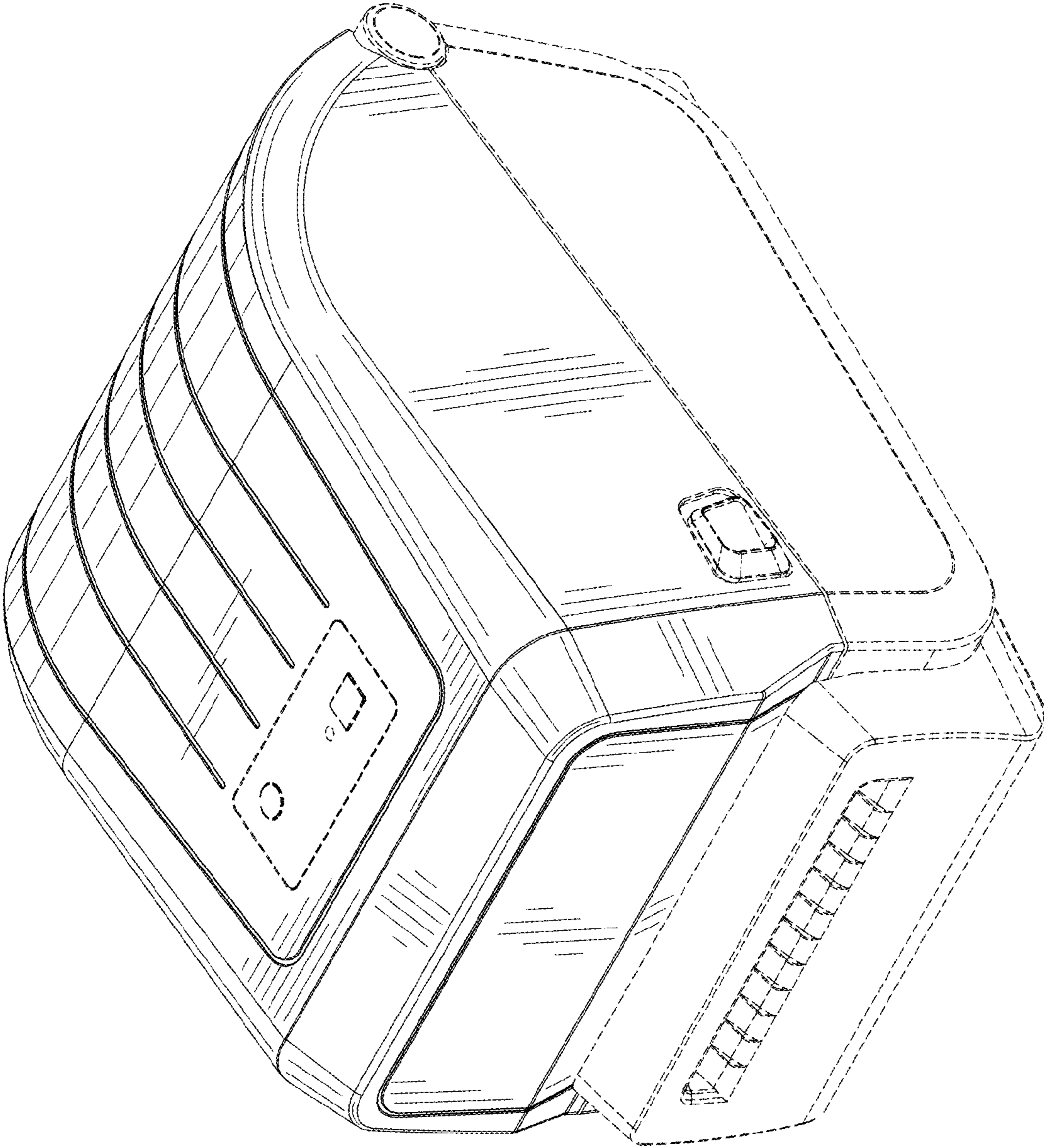


FIG. 9

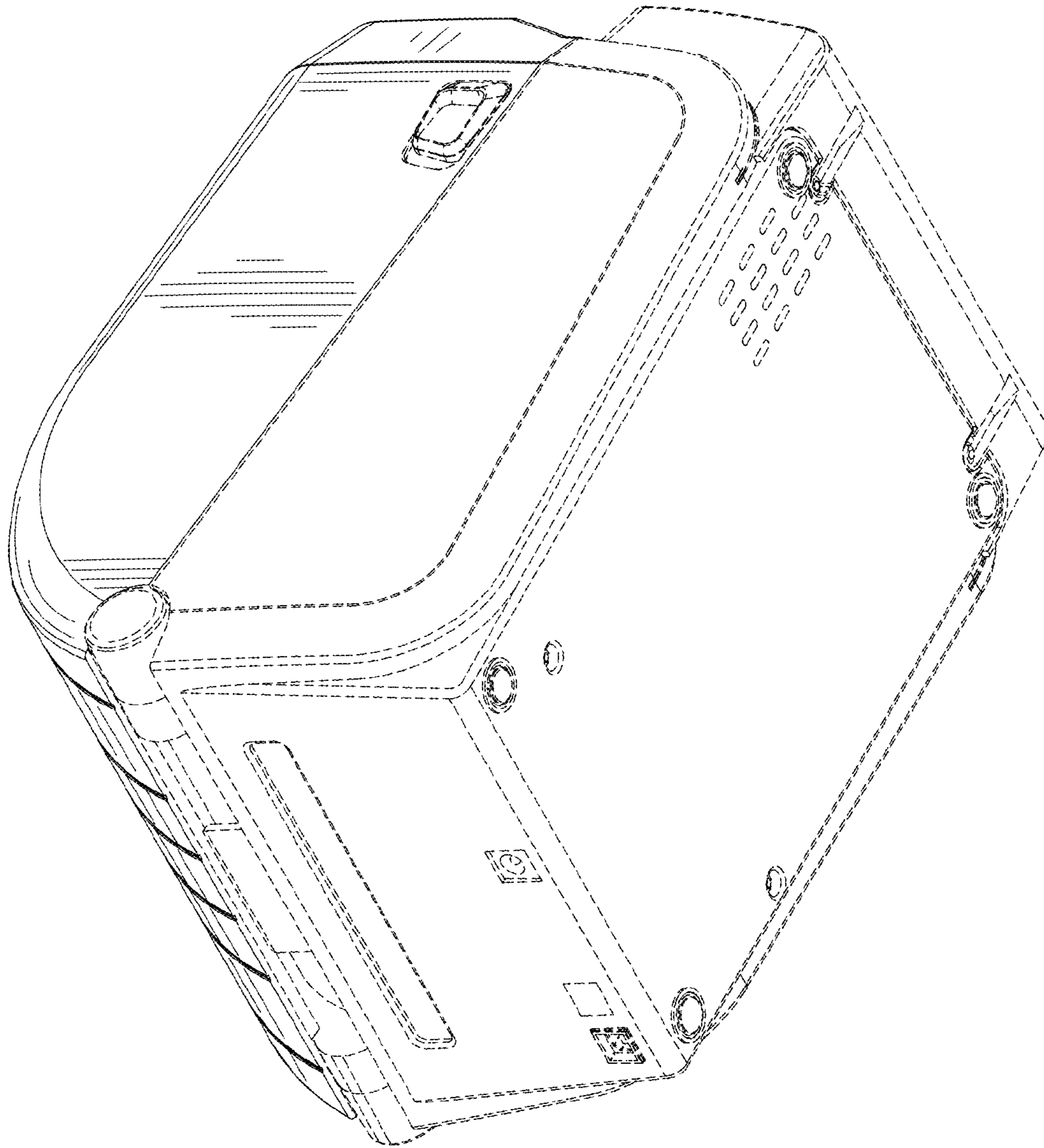


FIG. 10

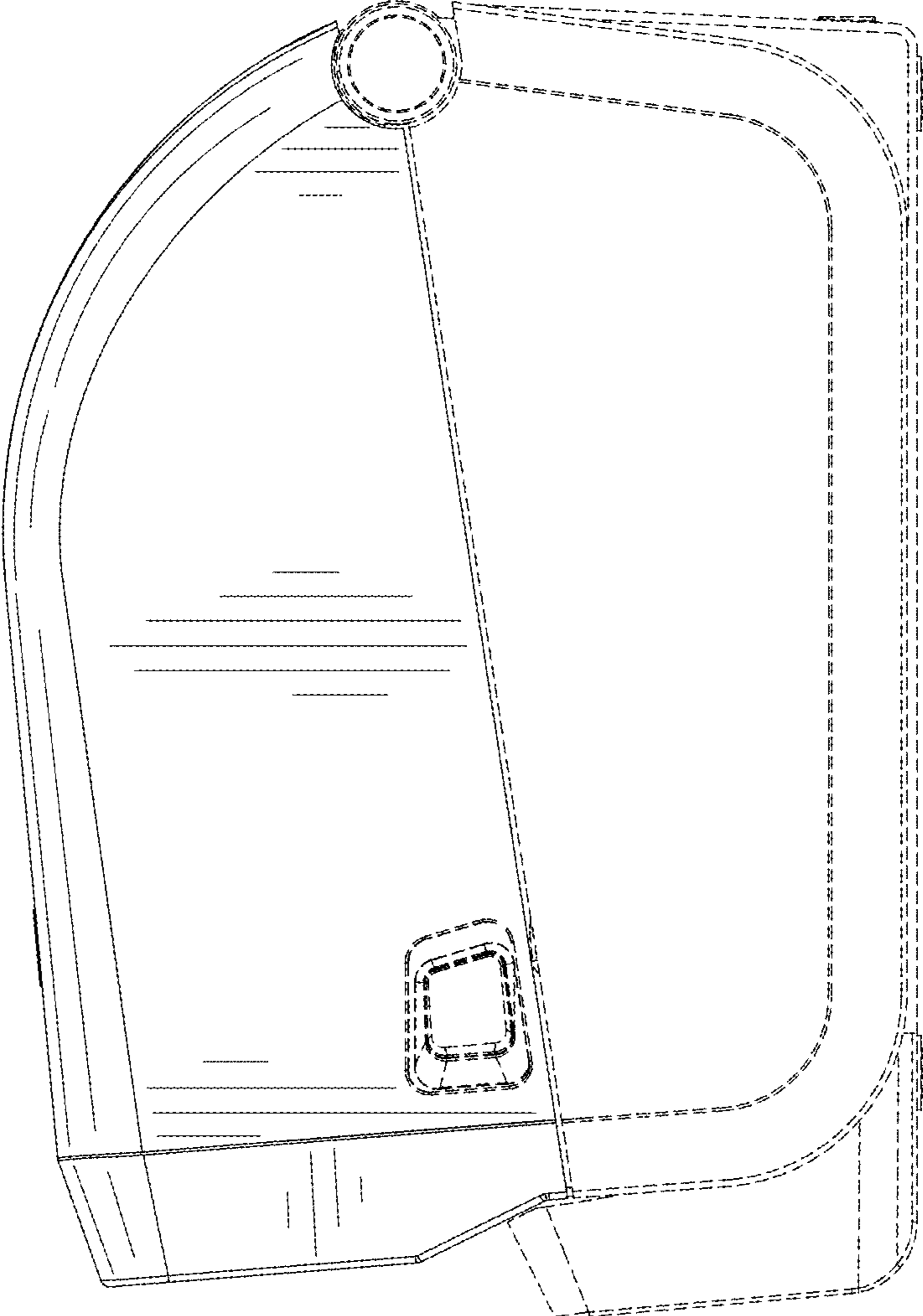


FIG. 11

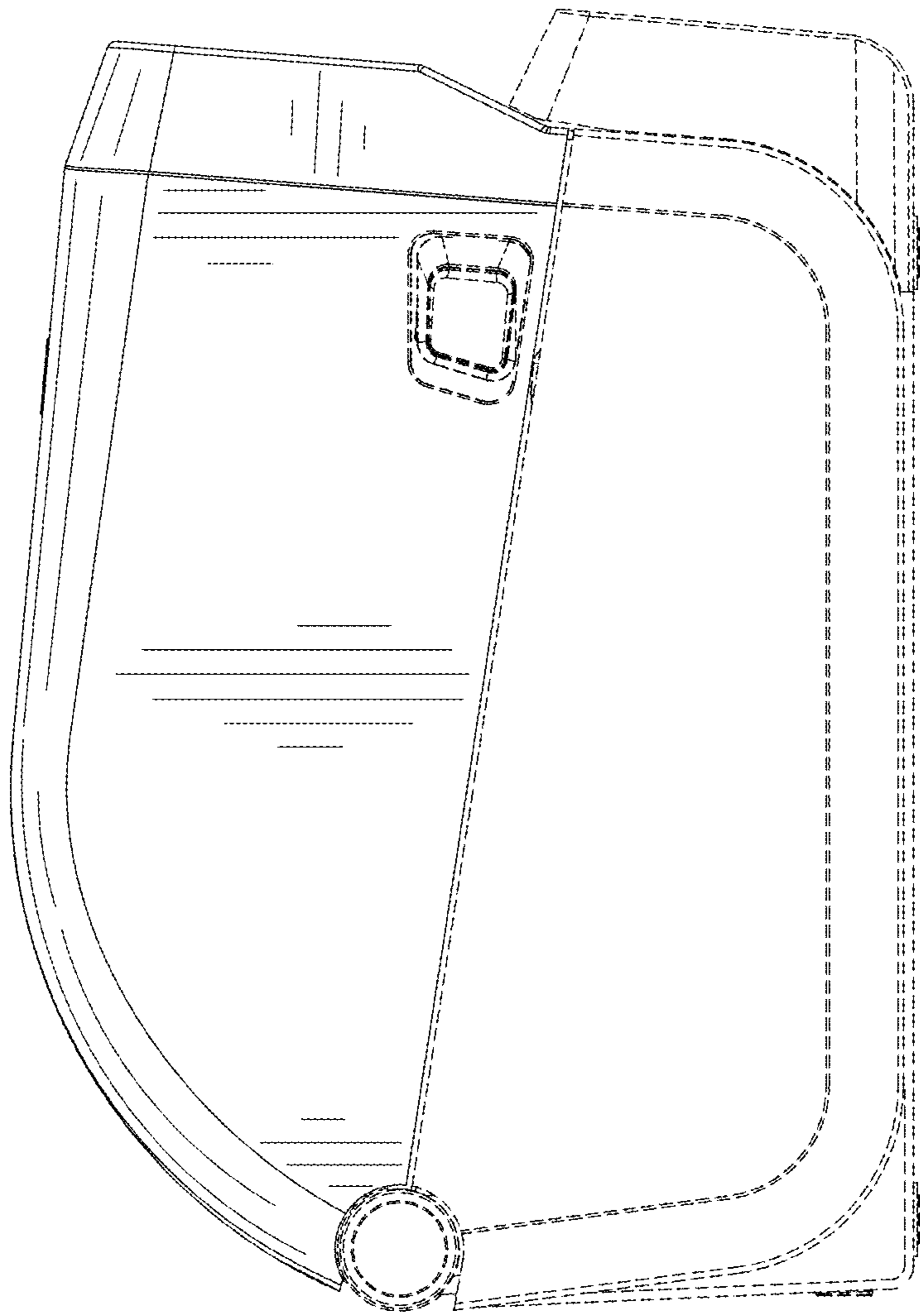


FIG. 12

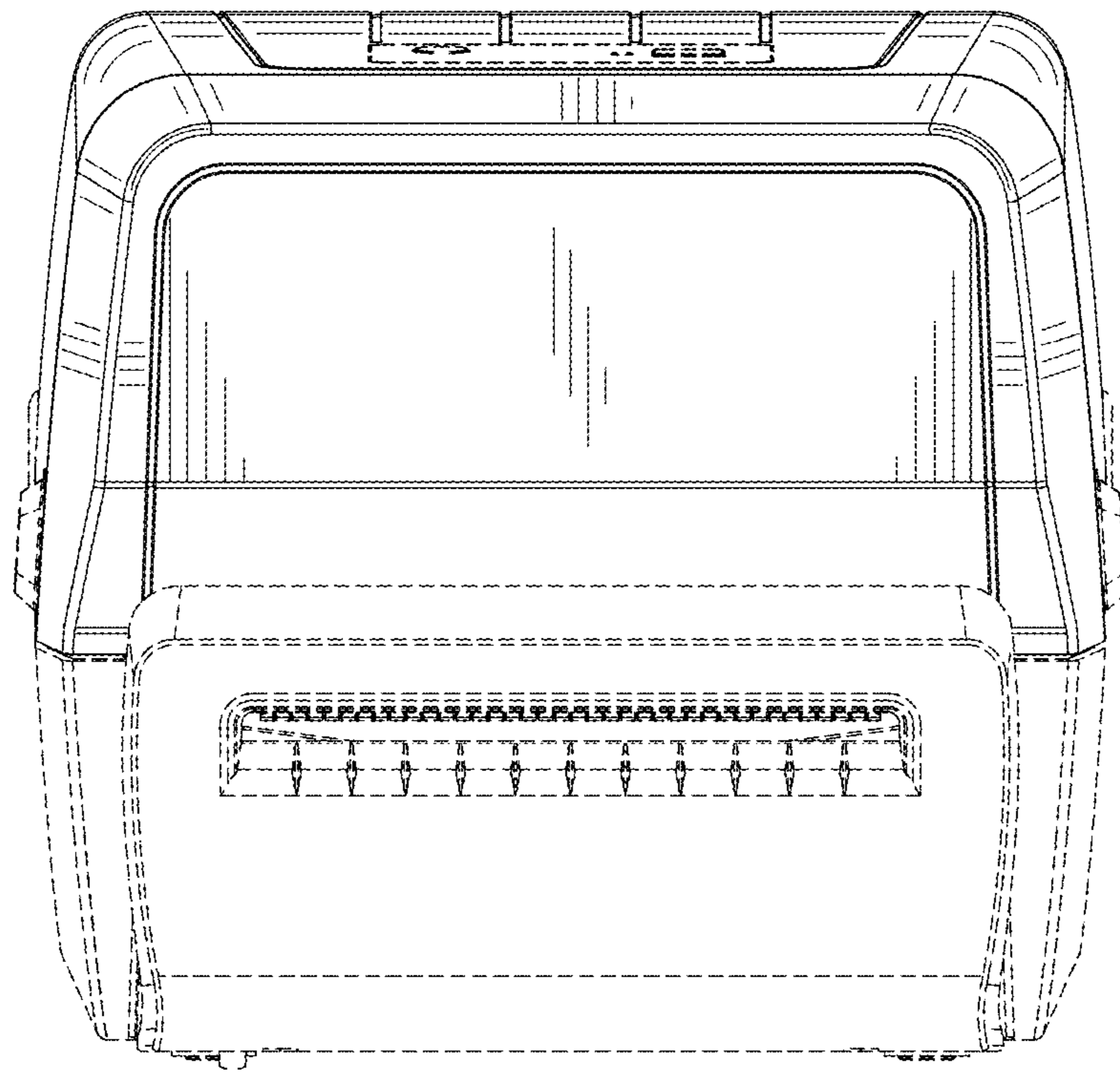


FIG. 13

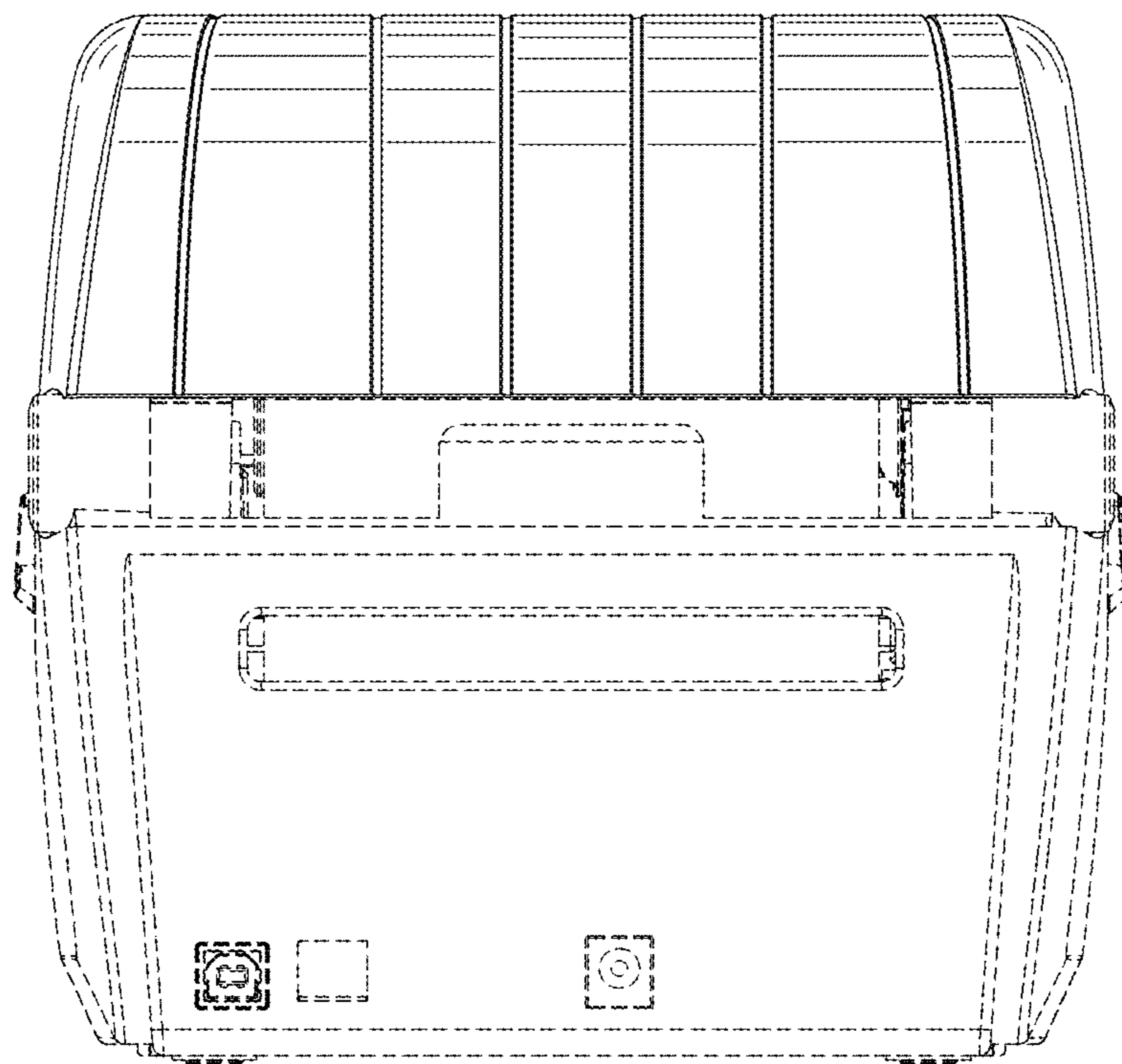


FIG. 14

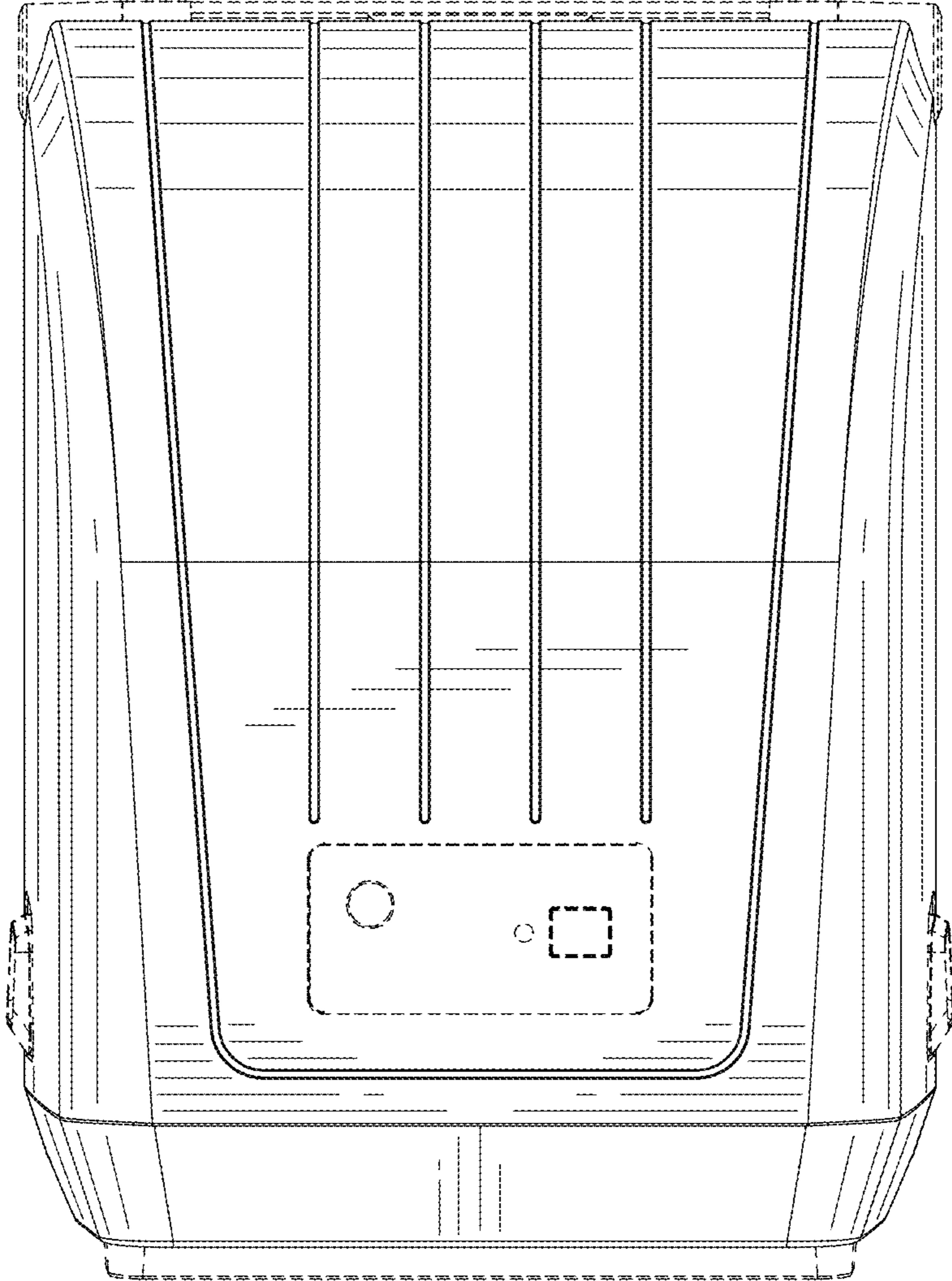


FIG. 15

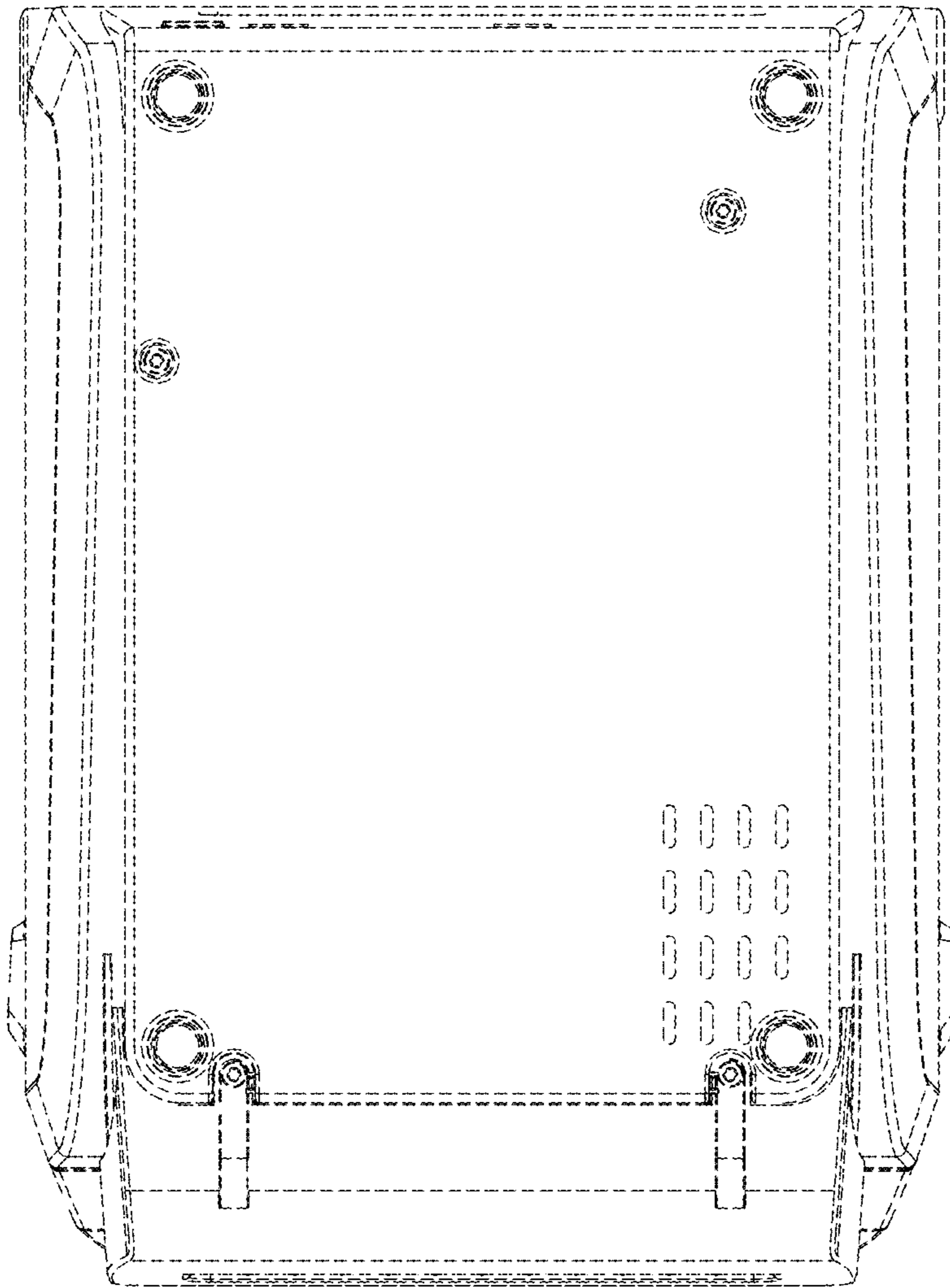


FIG. 16