



US00D900210S

(12) **United States Design Patent**
Kida et al.

(10) **Patent No.: US D900,210 S**

(45) **Date of Patent: ** Oct. 27, 2020**

(54) **STAMP**

D422,017 S * 3/2000 Harden D18/15
D452,261 S * 12/2001 Hayashi D18/15
D507,593 S * 7/2005 Kida D18/15

(Continued)

(71) Applicant: **Shachihata Inc.**, Nagoya-shi, Aichi (JP)

(72) Inventors: **Masaki Kida**, Tokyo (JP); **Motohide Imaizumi**, Tokyo (JP)

(73) Assignee: **Shachihata Inc.**, Nagoya-shi (JP)

CN 304858308 * 10/2018
JP 0946406 S 2/1996

(Continued)

(**) Term: **15 Years**

FOREIGN PATENT DOCUMENTS

(21) Appl. No.: **29/701,917**

(22) Filed: **Aug. 15, 2019**

OTHER PUBLICATIONS

(30) **Foreign Application Priority Data**

Feb. 20, 2019 (JP) 2019-003416
Jul. 25, 2019 (JP) 2019-016645

Amazon. Link: https://www.amazon.com/dp/B07FNL5FHL/ref=cm_sw_r_tw_dp_U_x_EN0hEbRAF67BM. Jul. 18, 2018. Miseyo Pre-Ink Teacher Stamp Set—4 Color Mood Expressions Miseyo (Year: 2018).*

(Continued)

(51) **LOC (12) Cl.** **19-02**

(52) **U.S. Cl.**
USPC **D18/15**

Primary Examiner — Lauren D McVey

(74) *Attorney, Agent, or Firm* — Westerman, Hattori, Daniels & Adrian, LLP

(58) **Field of Classification Search**
USPC D18/15, 16, 17, 18, 14, 19, 50;
D19/65–68, 70, 71

(57) **CLAIM**

The ornamental design for a stamp, as shown and described.

CPC . B41J 2/1752; B41J 3/36; B41J 29/023; B41J 2/17526; B41J 3/28; B41K 1/00; B41K 1/38; B41K 1/006; B41K 1/02; B41K 1/08; B41K 1/40; B41K 1/42; B41K 1/52; B41K 1/54; B41K 1/56; B41K 1/36; B23K 26/00; B23K 26/10; B41C 3/04; B41D 7/00

DESCRIPTION

FIG. 1 is an upper-right front perspective view of a stamp, showing our new design;
FIG. 2 is an upper-left rear perspective view thereof;
FIG. 3 is a front elevation view thereof;
FIG. 4 is a rear elevation view thereof;
FIG. 5 is a right side elevation view thereof;
FIG. 6 is a left side elevation view thereof;
FIG. 7 is a top plan view thereof;
FIG. 8 is a bottom plan view thereof; and,
FIG. 9 is a cross-sectional view thereof, taken in the direction of line 9-9 in FIG. 3.

See application file for complete search history.

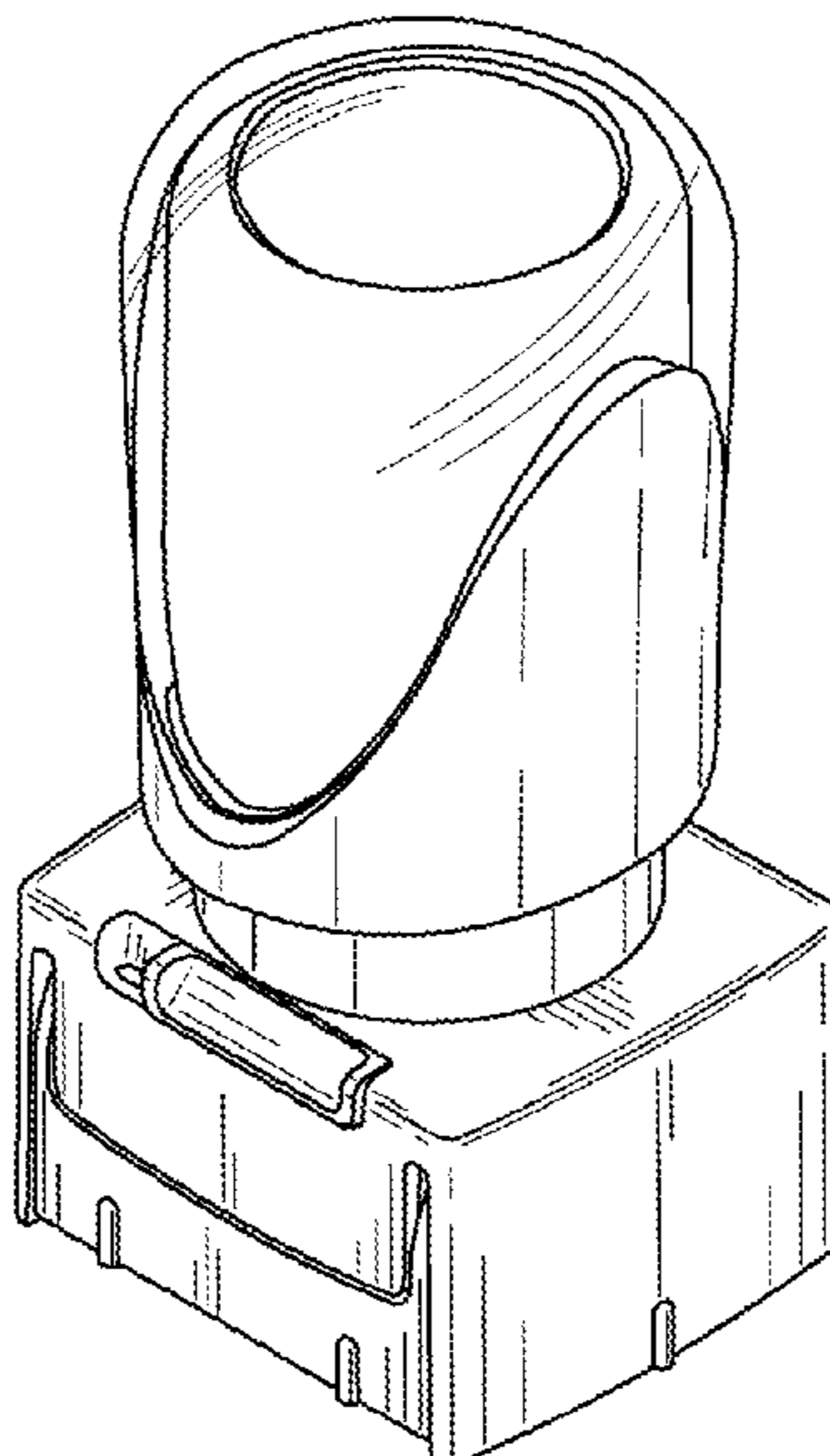
The broken lines in the drawings illustrate portions of the stamp that form no part of the claimed design.

(56) **References Cited**

U.S. PATENT DOCUMENTS

D378,597 S * 3/1997 Harden 101/406
D378,828 S * 4/1997 Harden D18/15
D379,367 S * 5/1997 Harden D18/15
D379,368 S * 5/1997 Harden D18/15

1 Claim, 5 Drawing Sheets



(56)

References Cited

U.S. PATENT DOCUMENTS

D507,806 S	*	7/2005	Kida	D18/15
D508,072 S	*	8/2005	Kida	D18/15
D679,317 S	*	4/2013	Ono	D18/15
D750,157 S	*	2/2016	Ahn	D18/15
D802,656 S	*	11/2017	Kida	D18/15
D853,475 S	*	7/2019	Kida	D18/15

FOREIGN PATENT DOCUMENTS

JP	D976254/1	11/1997
JP	1212624 S	7/2004
JP	1212625 S	7/2004
JP	D1546029	3/2016
JP	D1639884	* 8/2019

OTHER PUBLICATIONS

Shachihata Inc., "2003 The Catalog Shachihata general catalog" p. 97, received by the JPO on Apr. 25, 2003, Japan Patent Office's reference No. HC15011635. (2 pages).

* cited by examiner

FIG.1

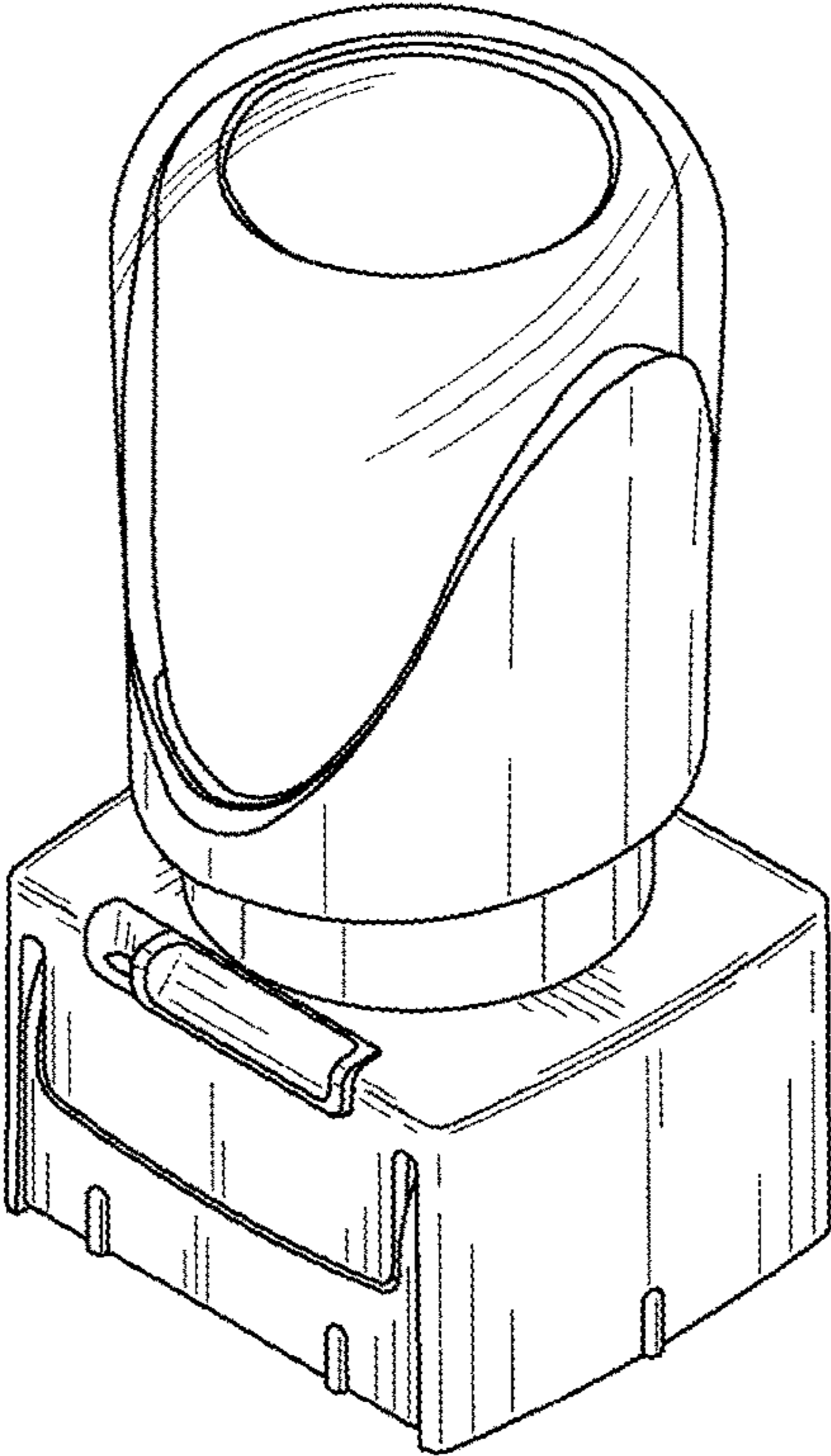


FIG.2

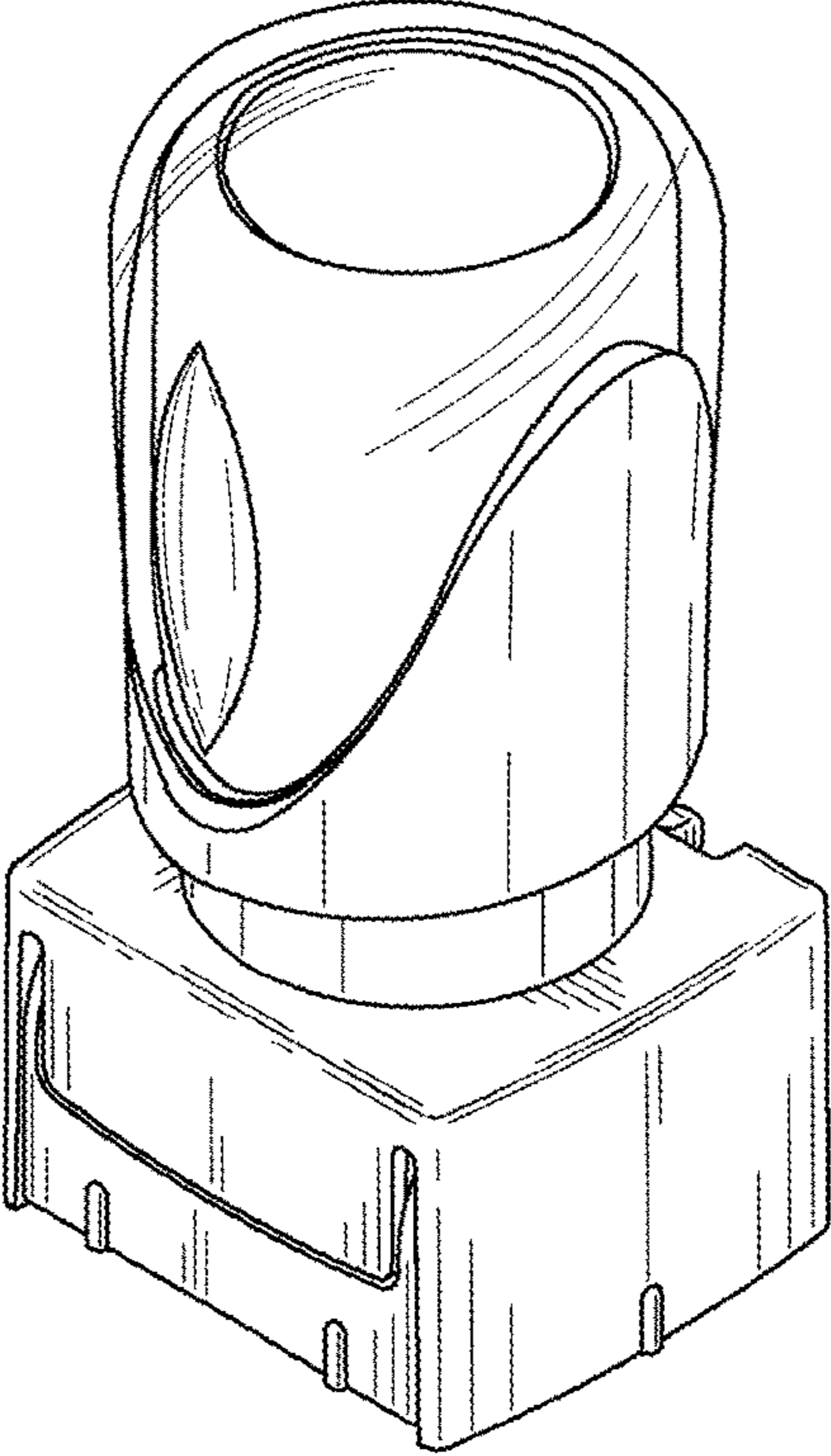


FIG.3

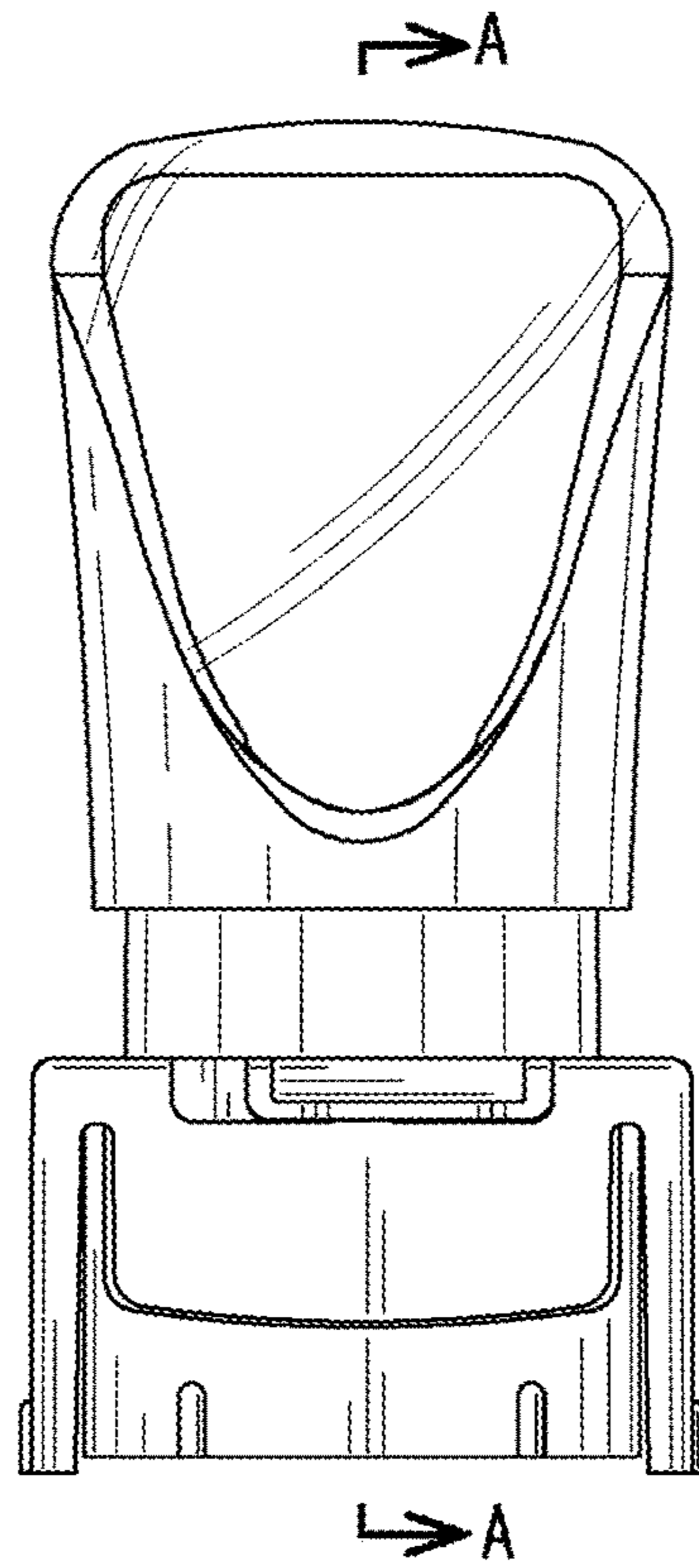


FIG.4

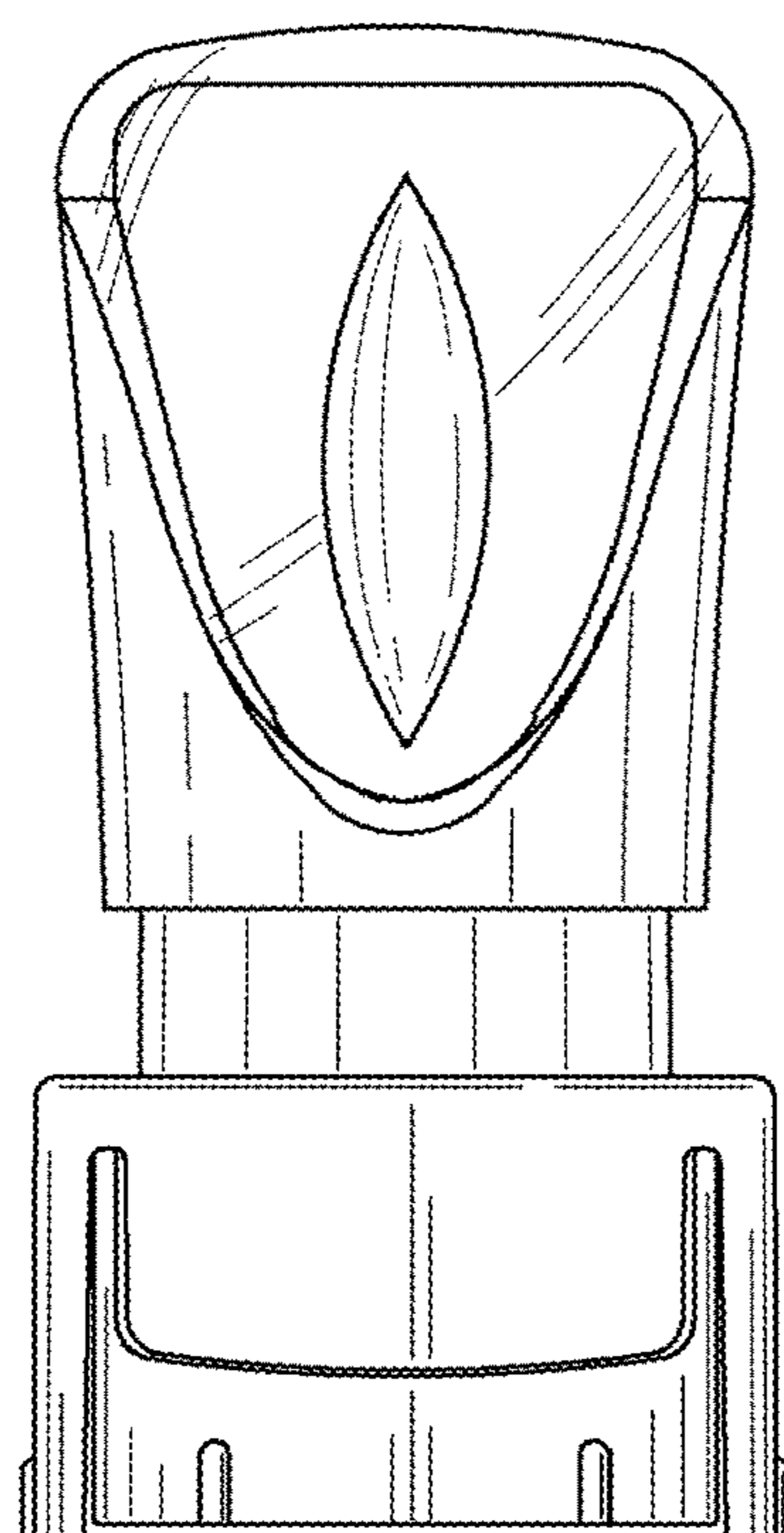


FIG.5

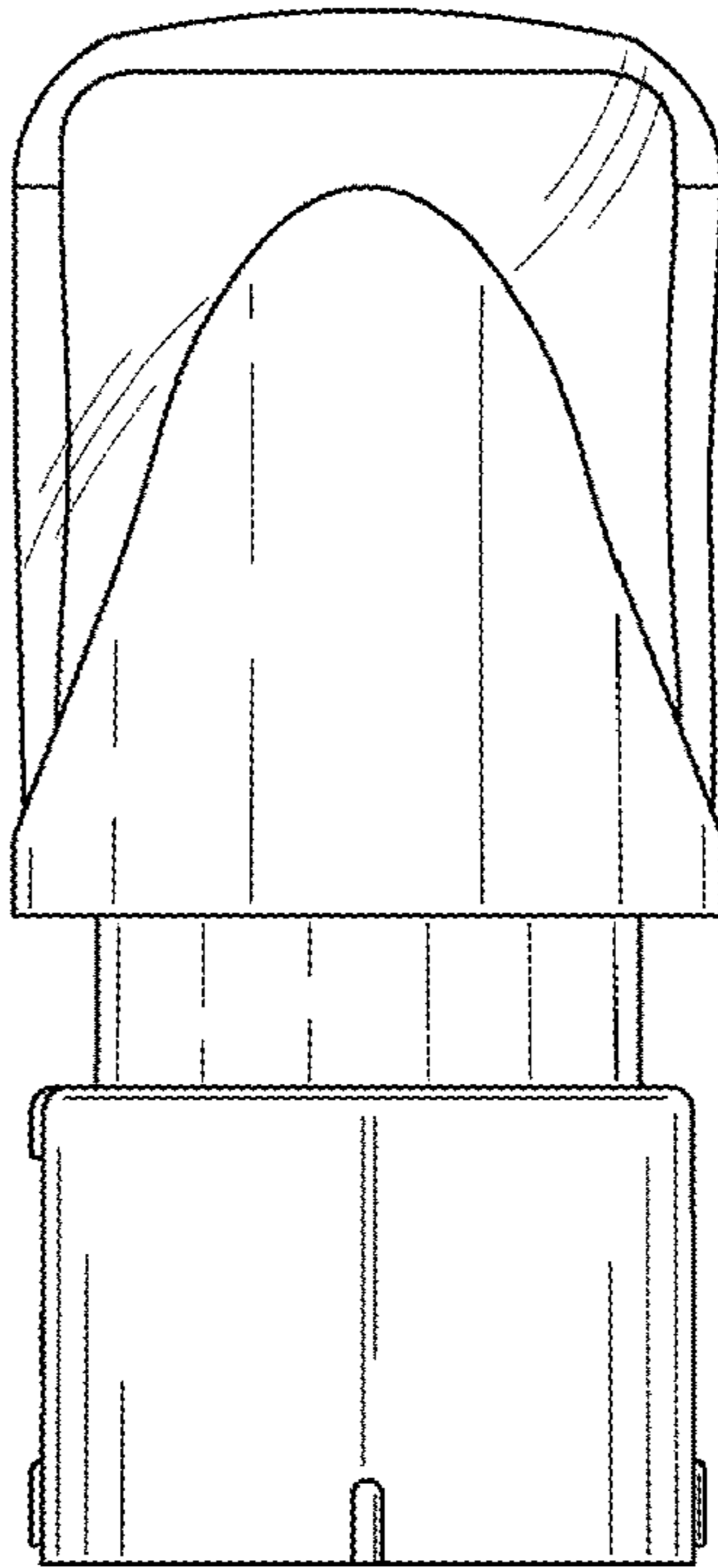


FIG.6

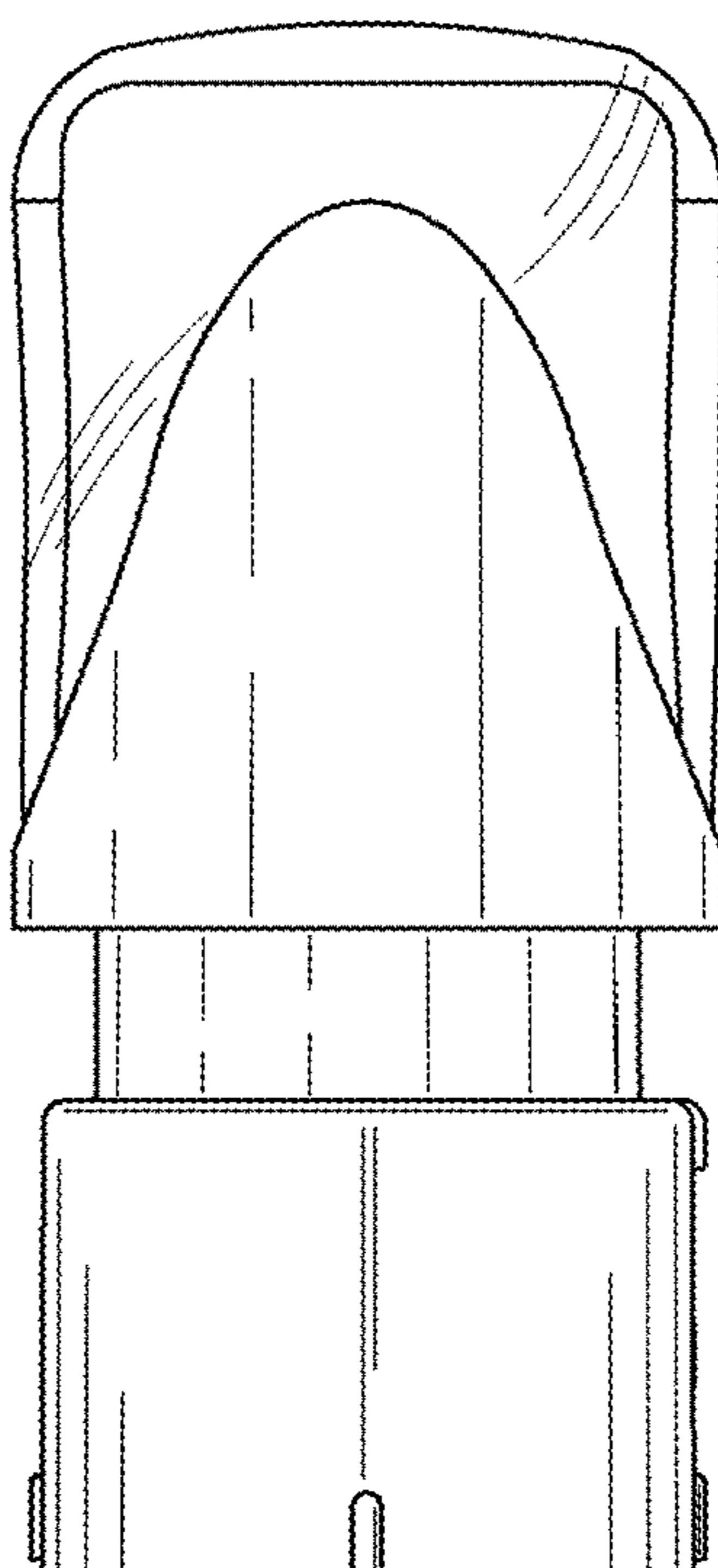


FIG.7

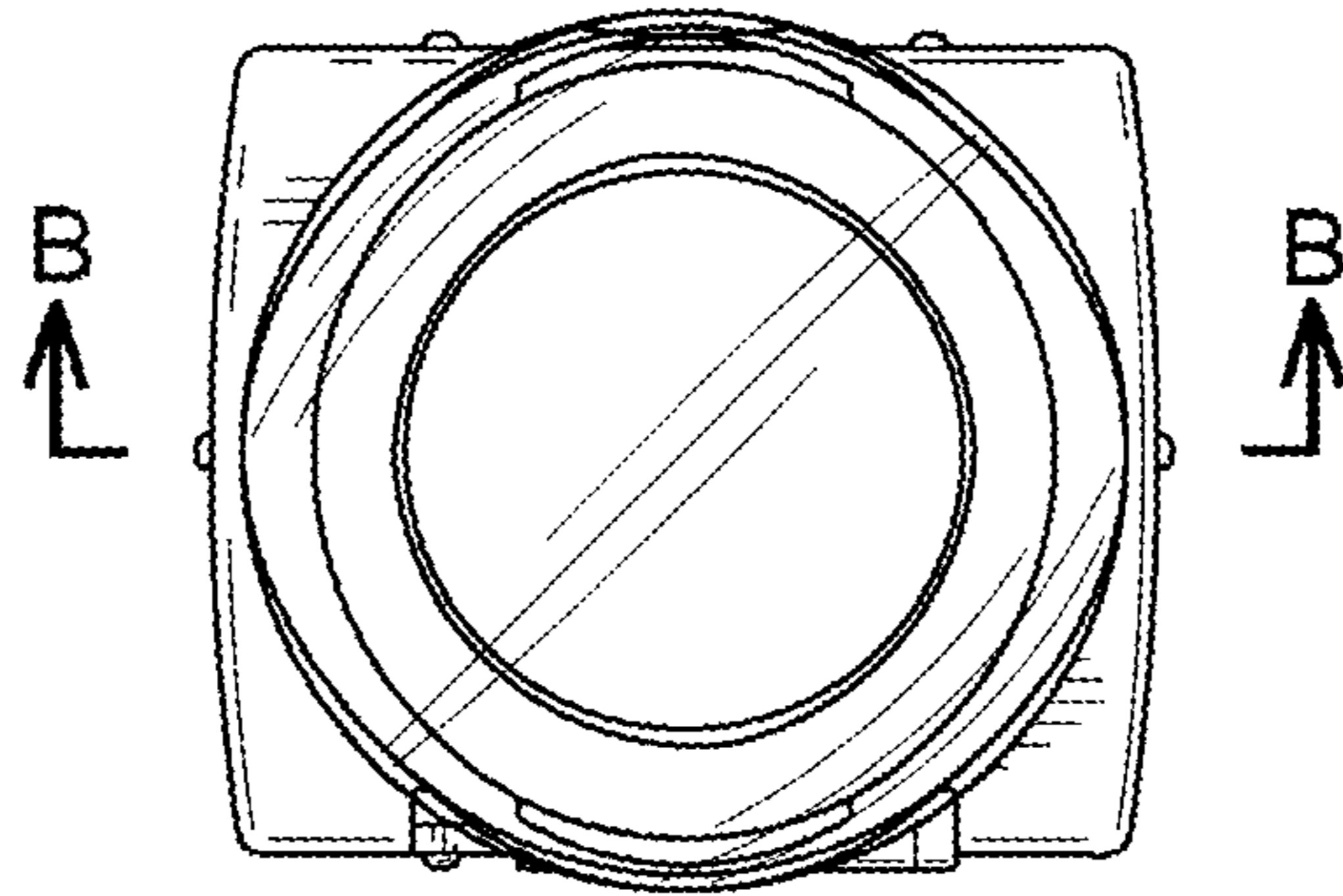


FIG.8

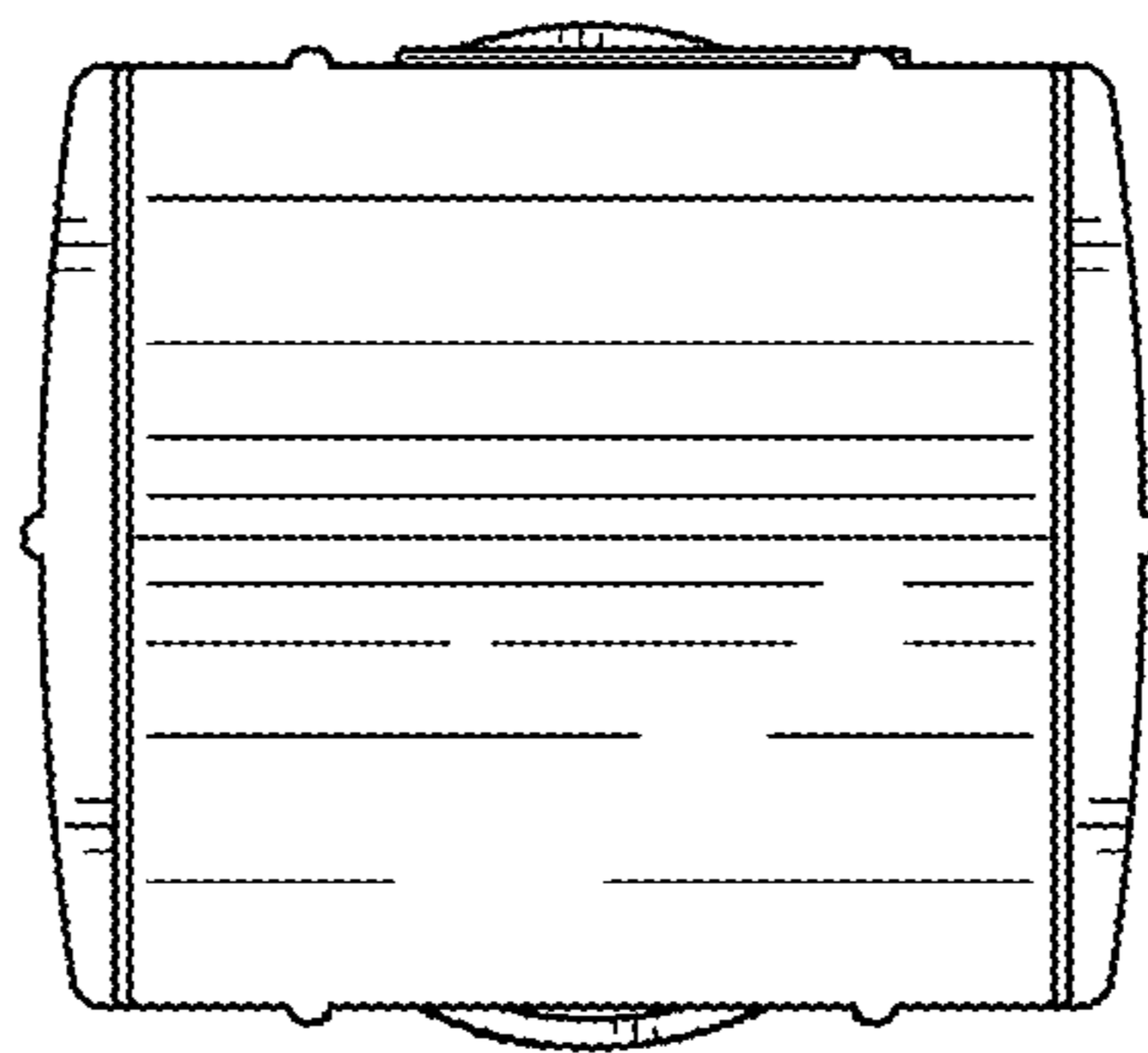


FIG.9

