



US00D900209S

(12) **United States Design Patent**  
**Marzano**

(10) **Patent No.:** **US D900,209 S**

(45) **Date of Patent:** **\*\* Oct. 27, 2020**

- (54) **CHARM FOR EYEGLASSES**
- (71) Applicant: **Alessandra Marzano**, Miami Beach, FL (US)
- (72) Inventor: **Alessandra Marzano**, Miami Beach, FL (US)
- (\*\*) Term: **15 Years**
- (21) Appl. No.: **29/660,742**
- (22) Filed: **Aug. 22, 2018**
- (51) **LOC (12) Cl.** ..... **16-06**
- (52) **U.S. Cl.**  
USPC ..... **D16/341**
- (58) **Field of Classification Search**  
USPC ..... D16/101, 300–342, 900; D29/109–110; D21/483, 659–661; D14/372; 351/41, 351/44, 45–48, 51–52, 62, 158, 92, 351/103–123, 140–153, 63, 59; 2/13, 15, 2/426–432, 447–449, 441, 434–437  
CPC ..... G02C 2200/08; G02C 1/06; G02C 5/14; G02C 11/02; G02C 11/04; G02C 5/16; G02C 2200/22; G02C 5/146; G02C 5/2254; G02C 5/008; G01C 5/16; A63B 33/002; A61M 2021/0044  
See application file for complete search history.

- 7,591,554 B2 \* 9/2009 Guerrero ..... G02C 11/02 351/51
- 8,052,752 B2 \* 11/2011 Woods ..... A61F 2/1648 623/6.37
- 8,545,011 B2 \* 10/2013 Chow ..... G02C 11/02 351/103

(Continued)

**FOREIGN PATENT DOCUMENTS**

WO WO2009/060444 5/2009

**OTHER PUBLICATIONS**

Ficklets Eyewear Charms-FLower, announced unknown, [online], [site visited Dec. 17, 2019]. Available from Internet, URL: <https://www.eyemall.com/shop-online/eye-jewelry-accessories/eyewear-charms-flowers-detail.html> (Year: 2019).\*

(Continued)

*Primary Examiner* — Sanjeev Paul  
(74) *Attorney, Agent, or Firm* — Mitchell Ghaneie

(57) **CLAIM**

The ornamental design for charm for eyeglasses, as shown and described.

**DESCRIPTION**

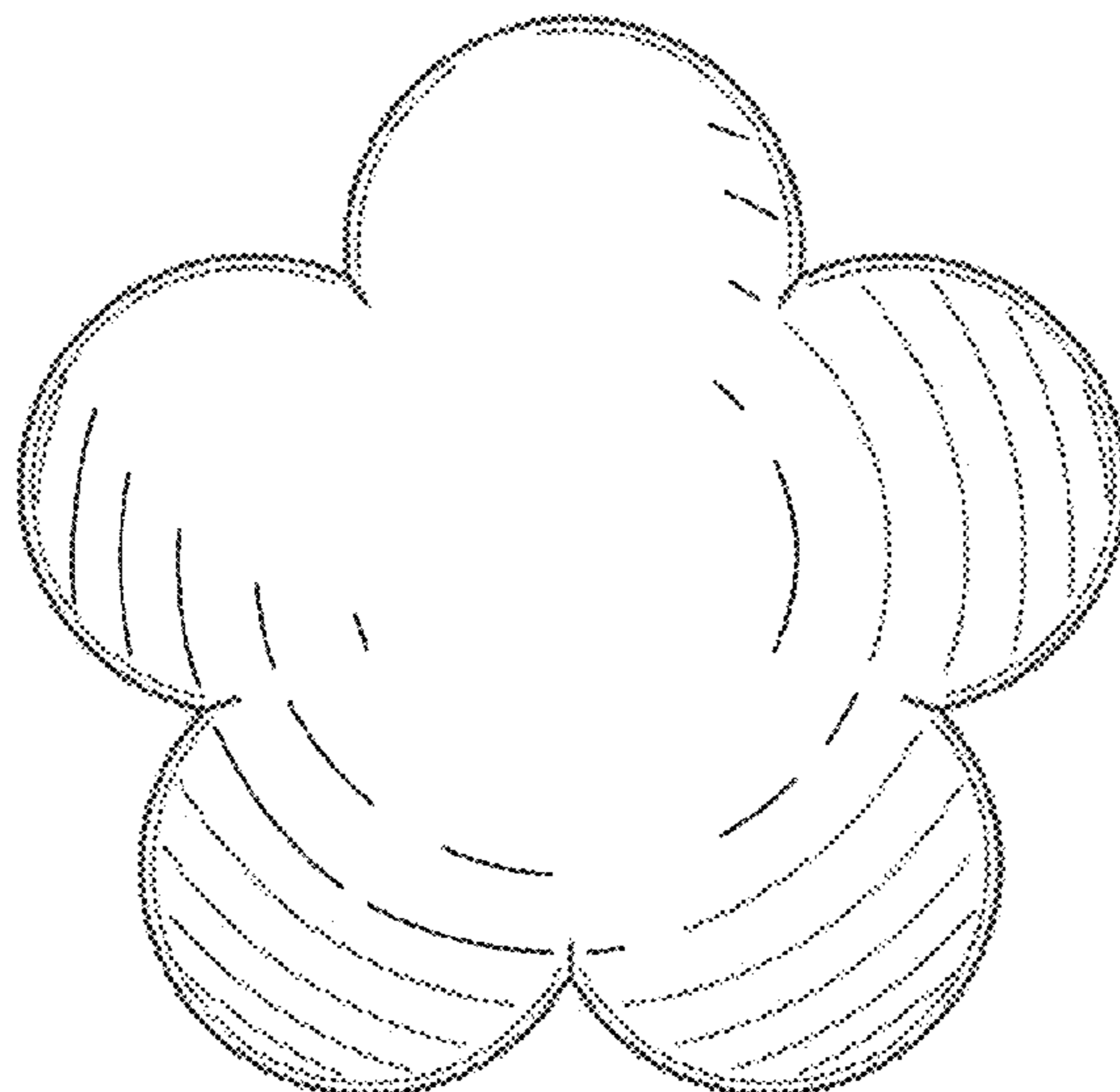
FIG. 1 is a front elevational view of a charm for eyeglasses showing my new design;  
FIG. 2 is a back elevational view thereof;  
FIG. 3 is a right side elevational view thereof;  
FIG. 4 is a left side elevational view thereof;  
FIG. 5 is a top elevational view thereof;  
FIG. 6 is a bottom elevational view thereof;  
FIG. 7 is an isometric back view thereof; and,  
FIG. 8 is an isometric in use of the device attached to the temple of a pair of eyeglasses with a silicone band.  
The broken lines depict portions of the environment that form no part of the claimed design.

**1 Claim, 4 Drawing Sheets**

(56) **References Cited**

**U.S. PATENT DOCUMENTS**

- D217,394 S \* 4/1970 Huggins ..... D16/334
- 4,377,329 A \* 3/1983 Poler ..... G02C 7/047 351/159.02
- 5,110,198 A \* 5/1992 Travis ..... G02C 5/02 351/121
- 5,264,875 A 11/1993 Cooper
- D430,180 S \* 8/2000 Atkins ..... D16/101
- D516,605 S \* 3/2006 Marc ..... D16/334
- 7,496,991 B2 3/2009 Avery
- 7,524,052 B2 \* 4/2009 Esses ..... G02C 11/02 351/52



(56)

**References Cited**

U.S. PATENT DOCUMENTS

8,549,879 B2 \* 10/2013 Mellinger ..... A44C 15/00  
351/51  
D738,426 S \* 9/2015 Frith ..... D16/341  
9,423,634 B2 \* 8/2016 Tipp ..... G02C 5/146  
D792,500 S \* 7/2017 Frith ..... D16/341  
2003/0086054 A1 5/2003 Waters  
2003/0110798 A1 6/2003 Ignatowski  
2008/0239232 A1 \* 10/2008 Guerrero ..... G02C 11/02  
351/52

OTHER PUBLICATIONS

Ficklets Eyewear Charms-Trendy FLOWers, announced unknown,  
[online], [site visited Dec. 17, 2019]. Available from Internet, URL:  
<https://royguerrero.wixsite.com/newsite/trendy> (Year: 2019).\*

\* cited by examiner

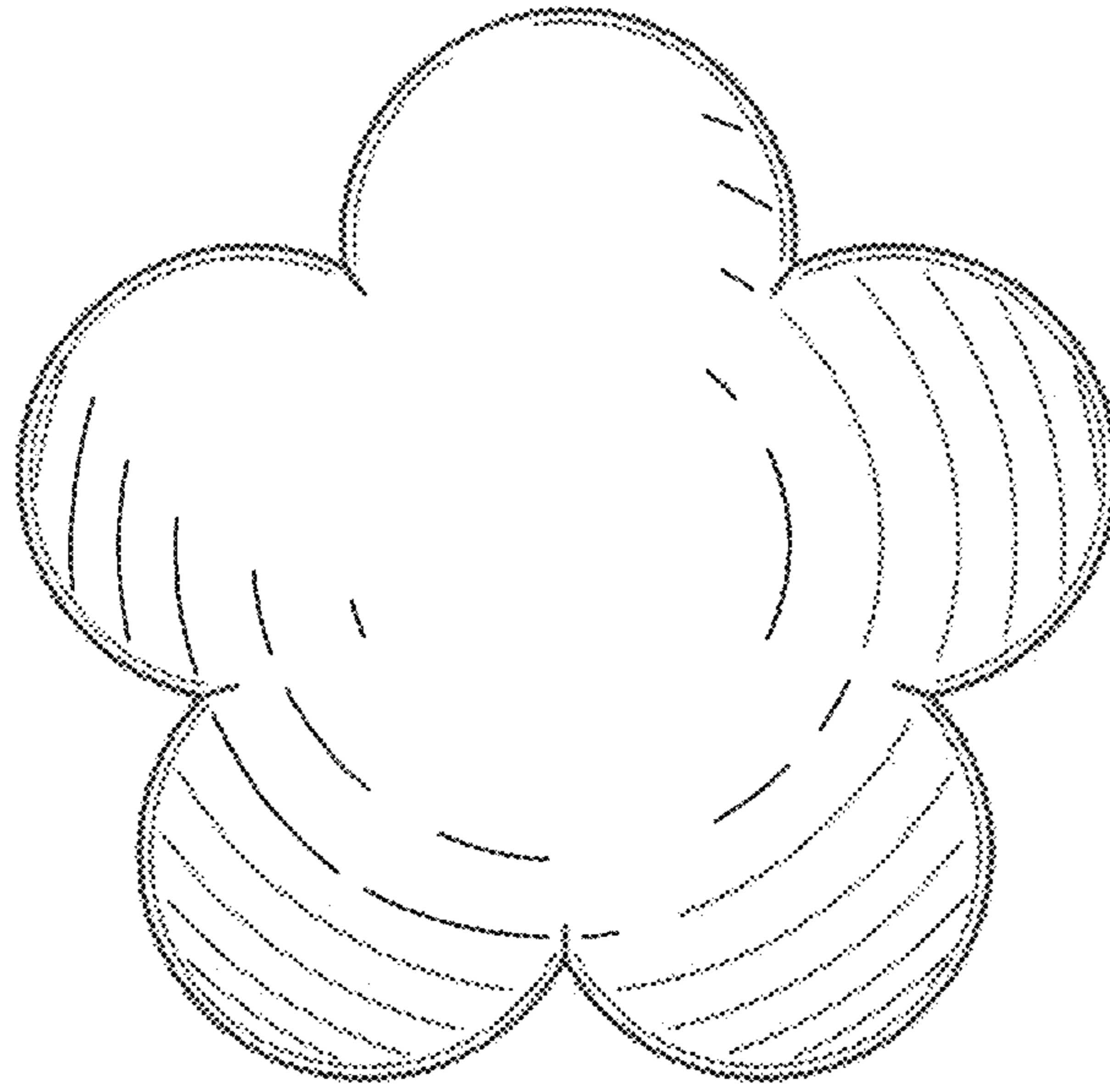


FIG. 1

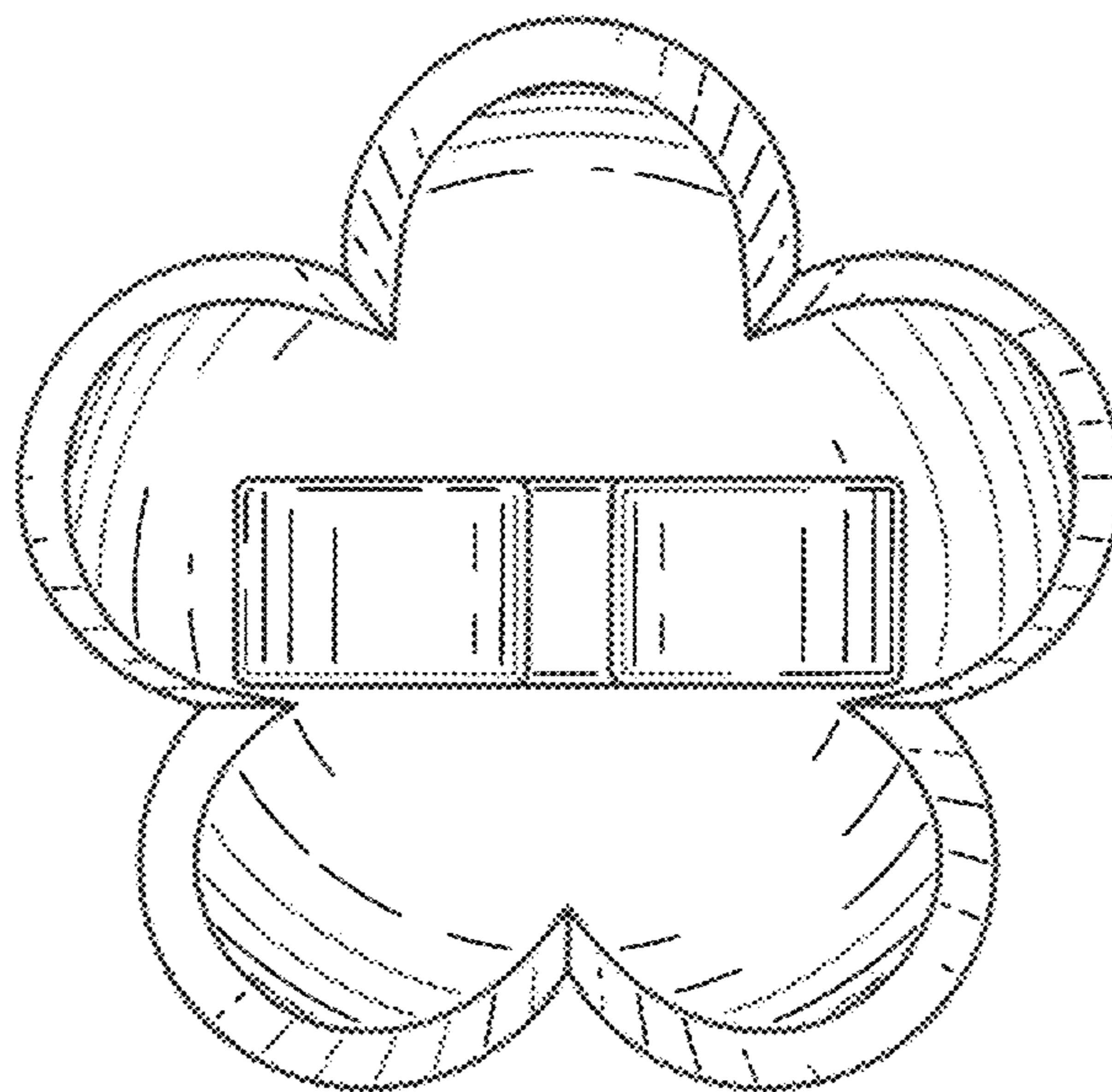


FIG. 2

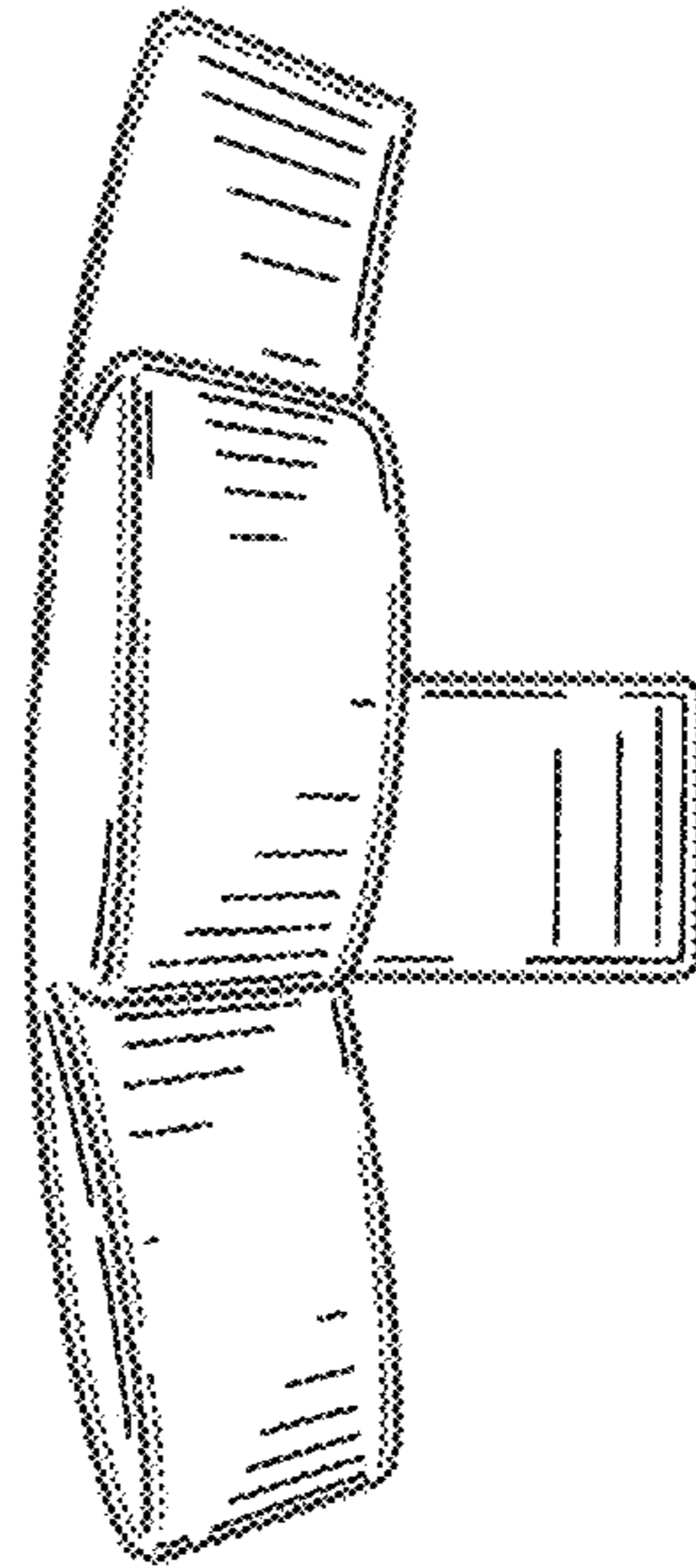


FIG. 3

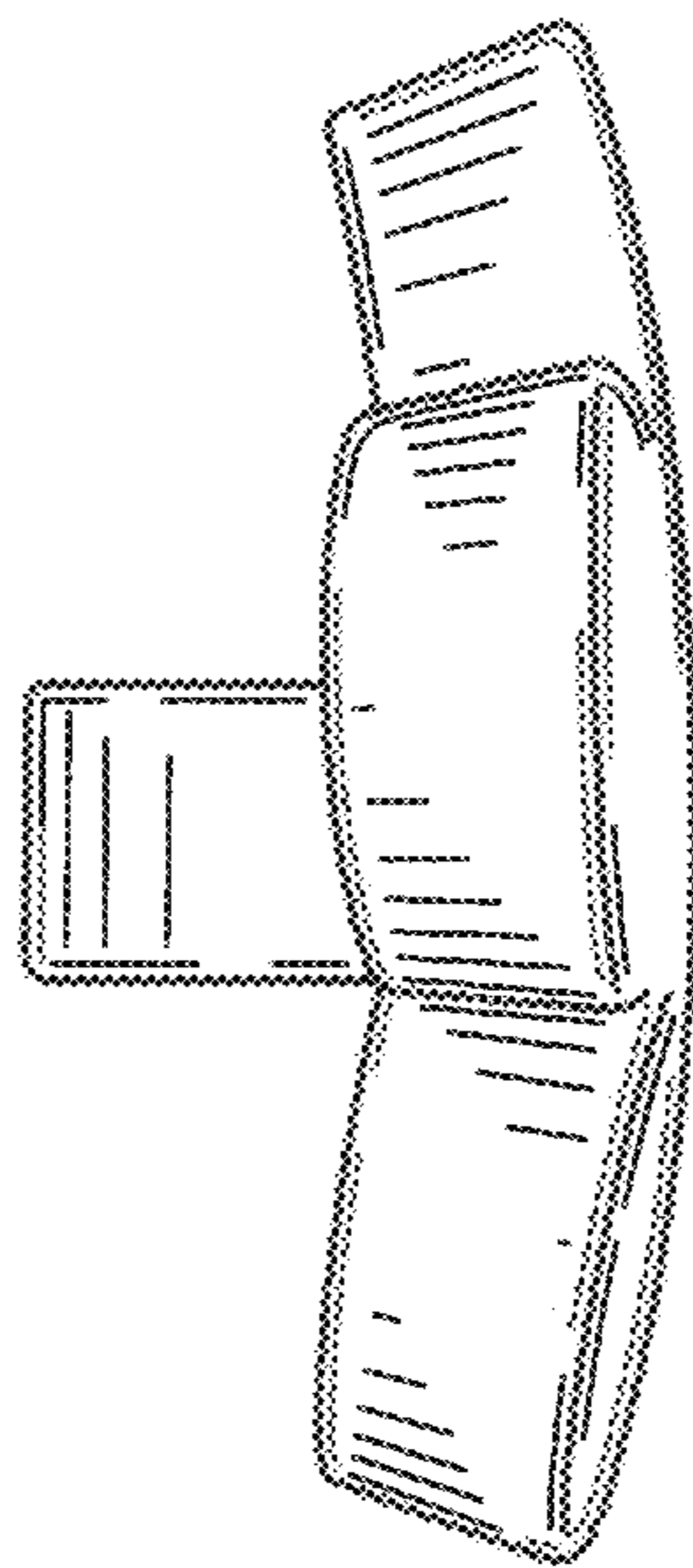


FIG. 4



FIG. 5

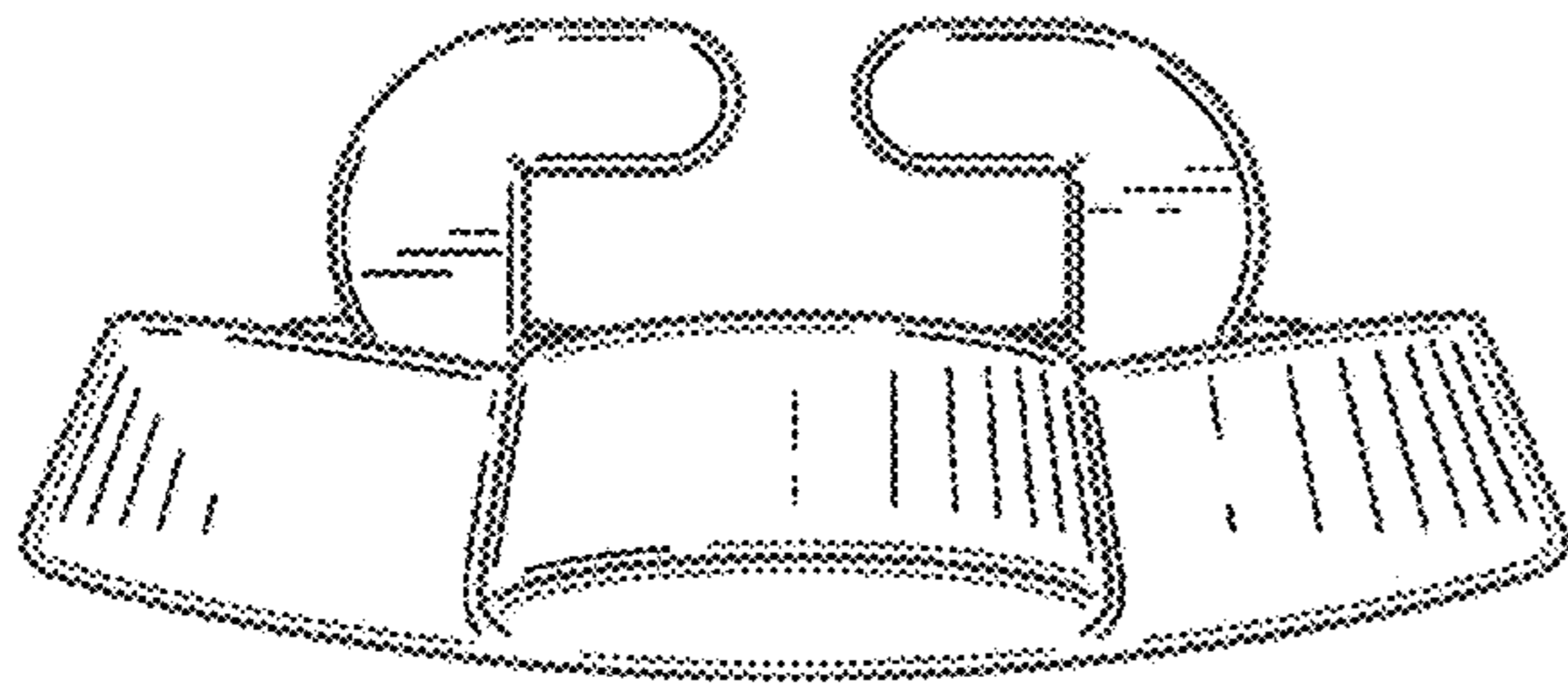


FIG. 6

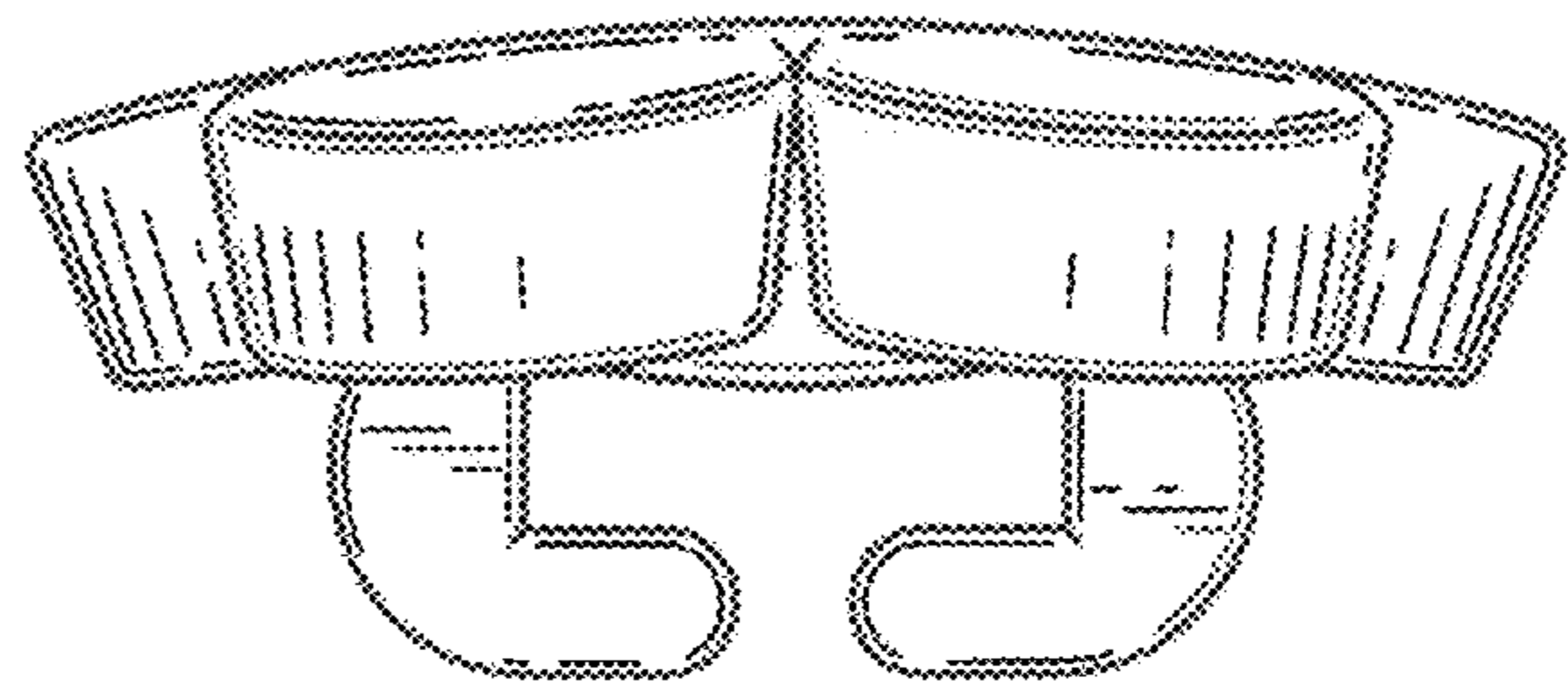
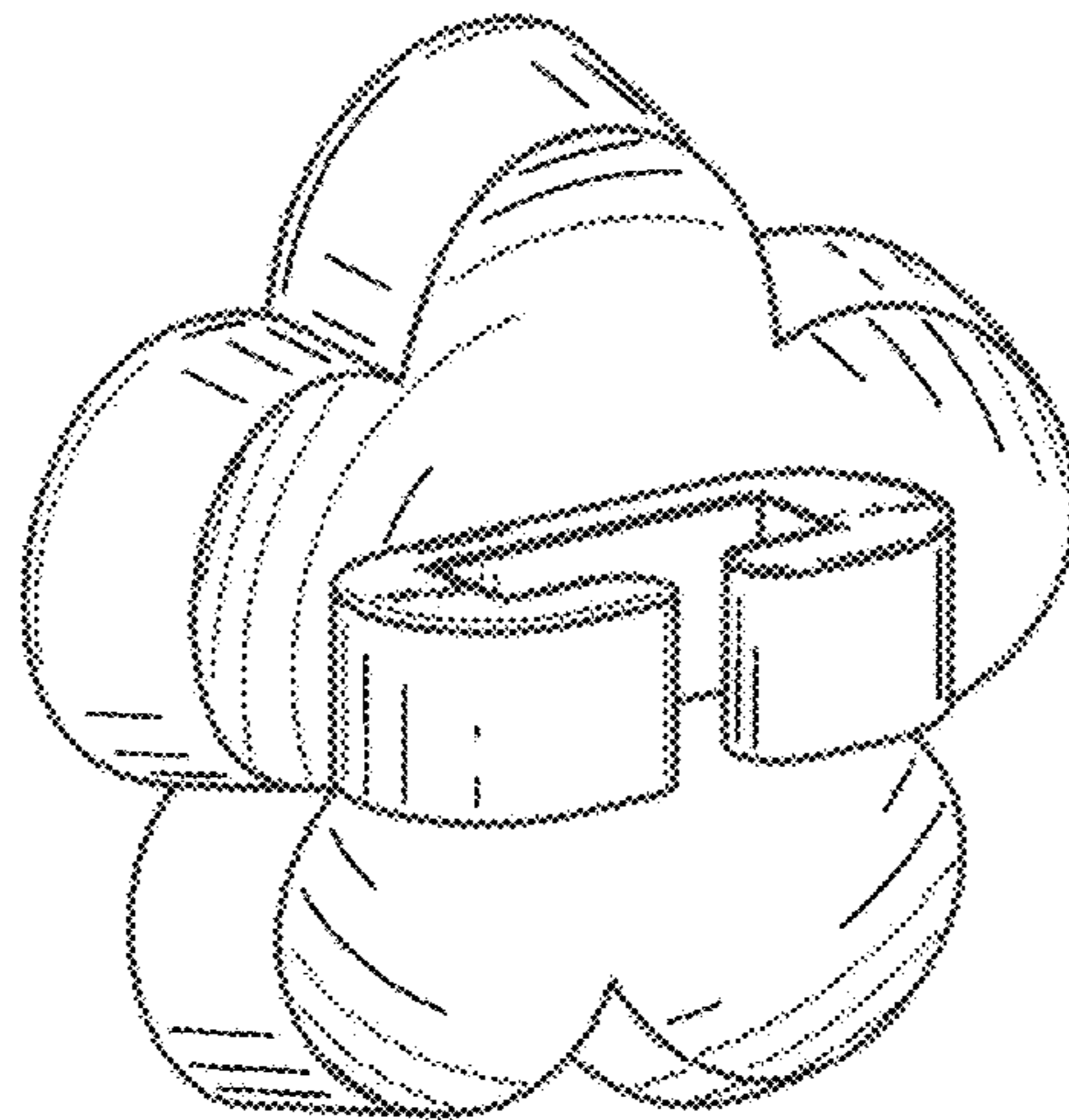


FIG. 7



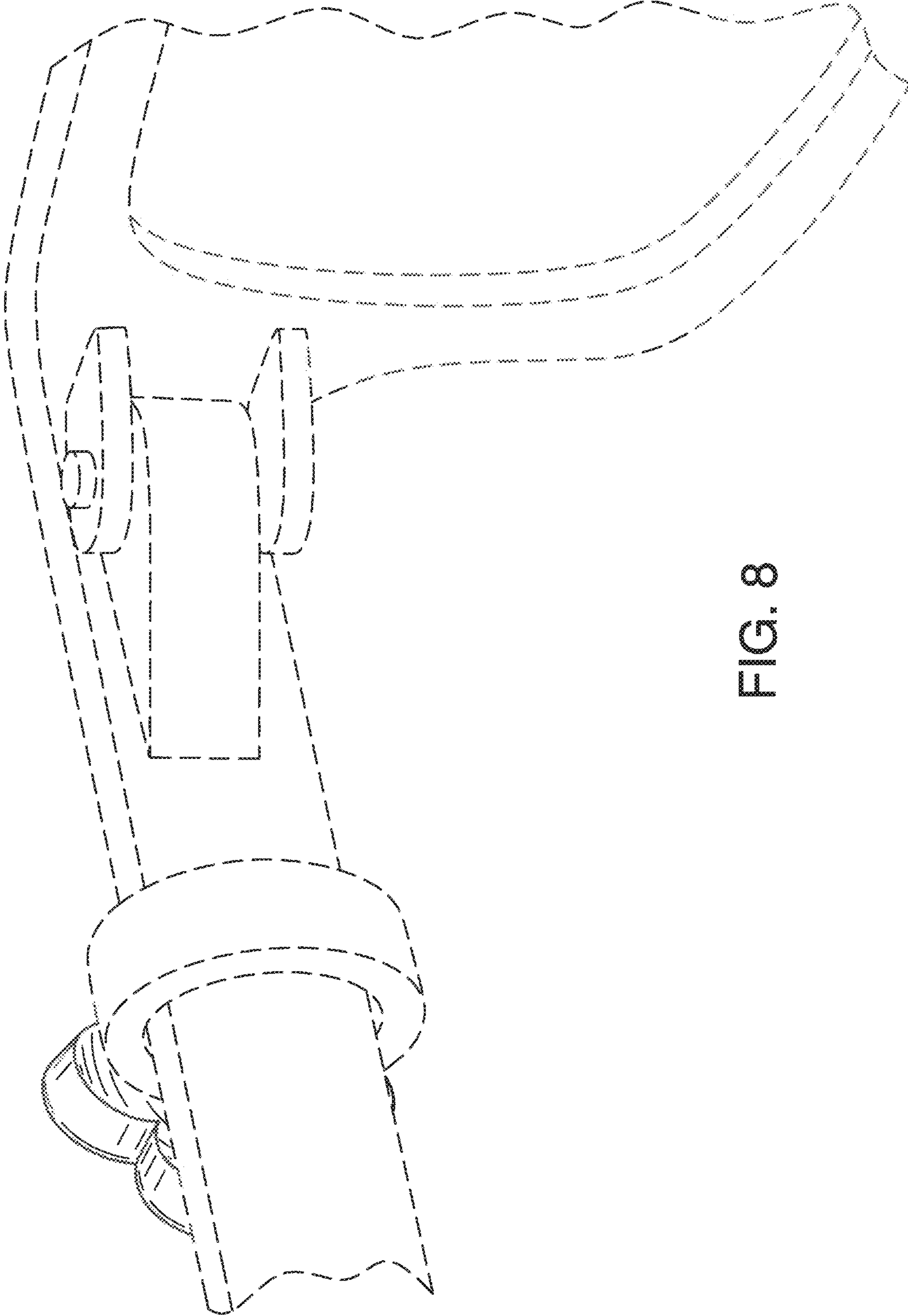


FIG. 8