



US00D900207S

(12) **United States Design Patent** (10) **Patent No.:** **US D900,207 S**  
**Chen** (45) **Date of Patent:** **\*\* \*Oct. 27, 2020**

(54) **EYEGLASS FRAME**  
(71) Applicant: **Mei-Chu Chen**, Tainan (TW)  
(72) Inventor: **Mei-Chu Chen**, Tainan (TW)  
(\* ) Notice: This patent is subject to a terminal disclaimer.  
(\*\*) Term: **15 Years**  
(21) Appl. No.: **29/693,222**  
(22) Filed: **May 31, 2019**  
(51) **LOC (12) Cl.** ..... **16-06**  
(52) **U.S. Cl.**  
USPC ..... **D16/325**; D16/319; D16/312  
(58) **Field of Classification Search**  
USPC ..... D16/100, 101, 300, 305-329, 330,  
D16/332-342; D29/106, 107, 110  
CPC .. A61F 9/02; A61F 9/026; A61F 9/027; A61F  
9/028  
See application file for complete search history.

D620,969 S \* 8/2010 Cyr ..... D16/312  
D728,665 S \* 5/2015 Chen ..... D16/311  
D747,758 S \* 1/2016 Lee ..... D16/312  
D821,037 S \* 6/2018 Wallis ..... D29/110  
D869,102 S \* 12/2019 Yi ..... D30/144  
2015/0049294 A1\* 2/2015 Chin ..... G02C 5/08  
351/86  
2015/0320600 A1\* 11/2015 Blanchard ..... A61F 9/026  
2/431  
2017/0100287 A1\* 4/2017 Calilung ..... A61F 9/026

**OTHER PUBLICATIONS**

Wheelz, date archived on Wayback Machine Nov. 15, 2012, site visited Jun. 5, 2020, <<https://web.archive.org/web/20121115101231/https://gatewaysafety.com/products/goggles/wheelz/>>.\*

\* cited by examiner

*Primary Examiner* — Cathron C Brooks  
*Assistant Examiner* — Sharon S Oum  
(74) *Attorney, Agent, or Firm* — Rosenberg, Klein & Lee

(57) **CLAIM**

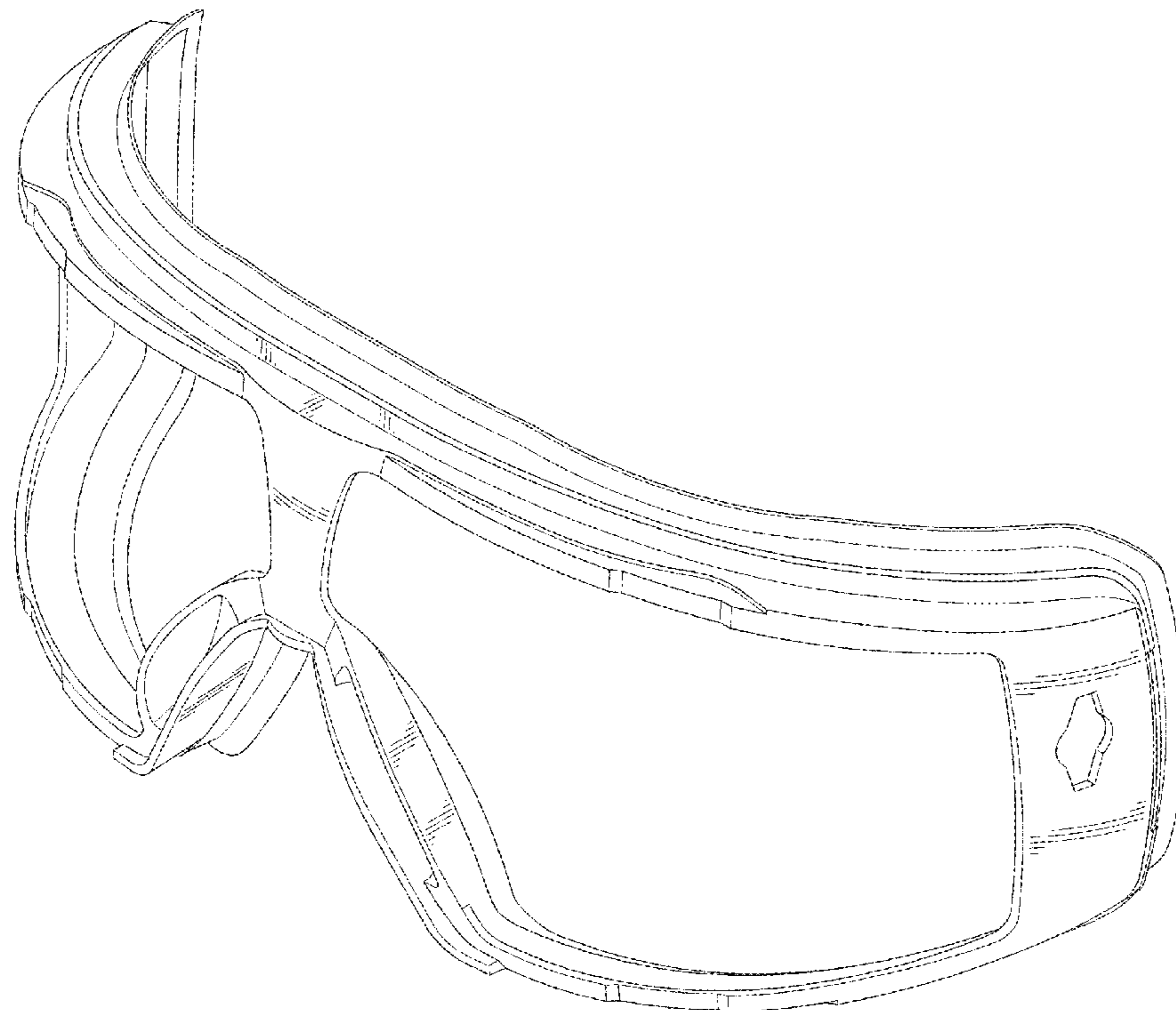
The ornamental design for an eyeglass frame, as shown and described.

**DESCRIPTION**

FIG. 1 is a perspective view of an eyeglass frame showing my new design;  
FIG. 2 is a front elevational view thereof;  
FIG. 3 is a rear elevational view thereof;  
FIG. 4 is a left side elevational view thereof;  
FIG. 5 is a right side elevational view thereof;  
FIG. 6 is a top plan view thereof; and,  
FIG. 7 is a bottom plan view thereof.

**1 Claim, 7 Drawing Sheets**

(56) **References Cited**  
U.S. PATENT DOCUMENTS  
D166,231 S \* 3/1952 Stegeman et al. .... D16/312  
3,012,248 A \* 12/1961 Kleinman ..... A61F 9/026  
2/436  
3,718,937 A \* 3/1973 Smith ..... A61F 9/025  
2/436  
D535,678 S \* 1/2007 Lane ..... D16/311  
D559,299 S \* 1/2008 Tabacchi ..... D16/303  
D620,039 S \* 7/2010 Cyr ..... D16/311



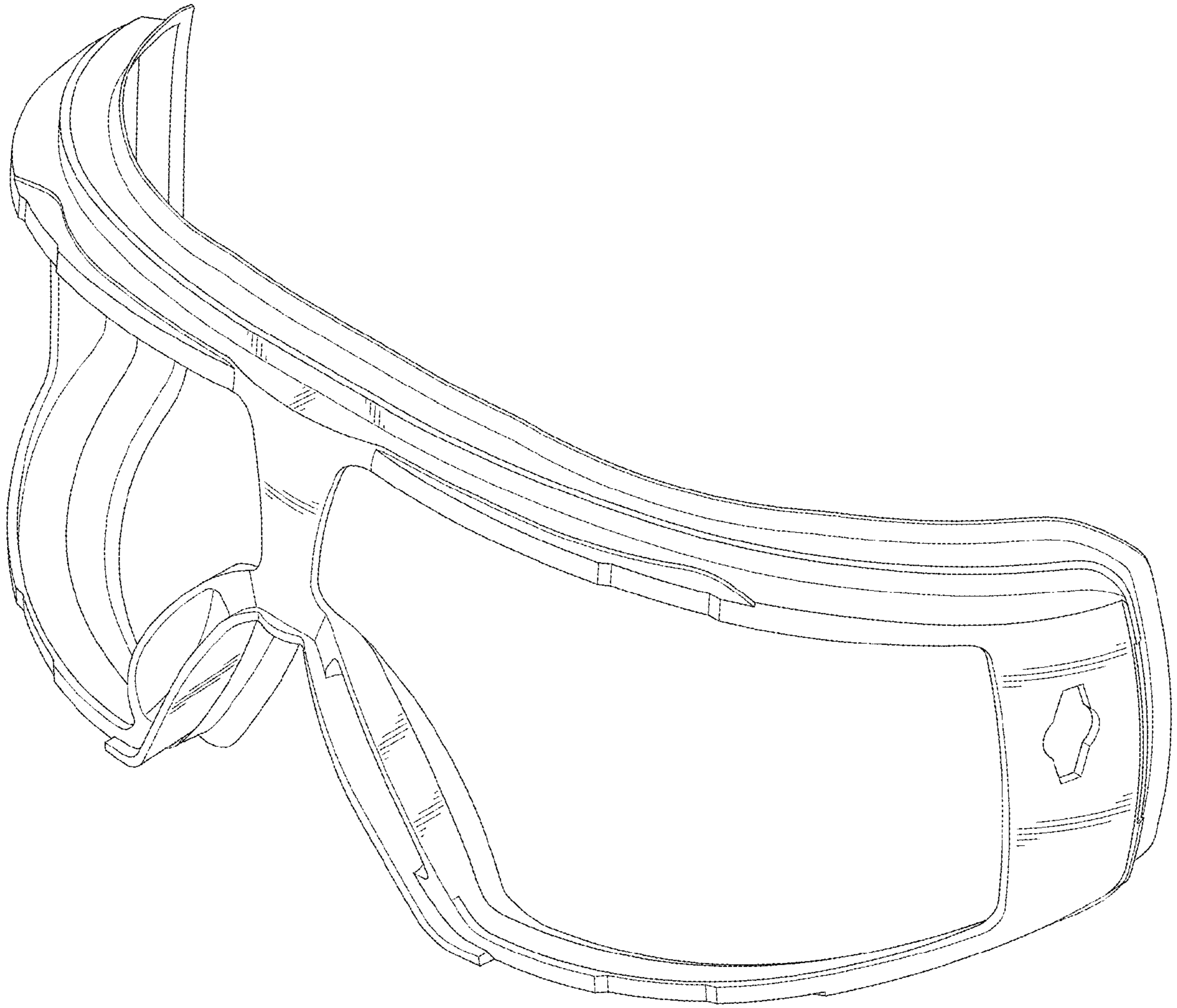


FIG. 1

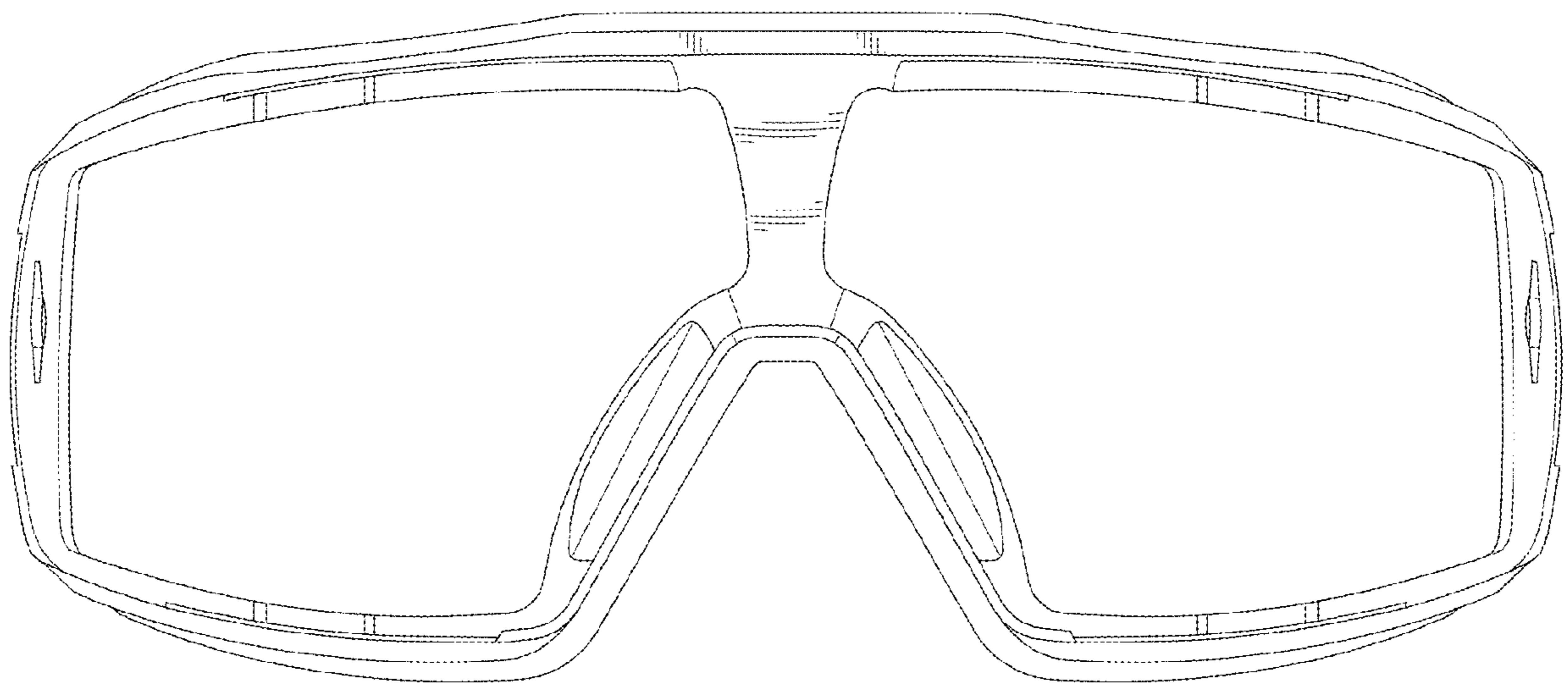


FIG. 2

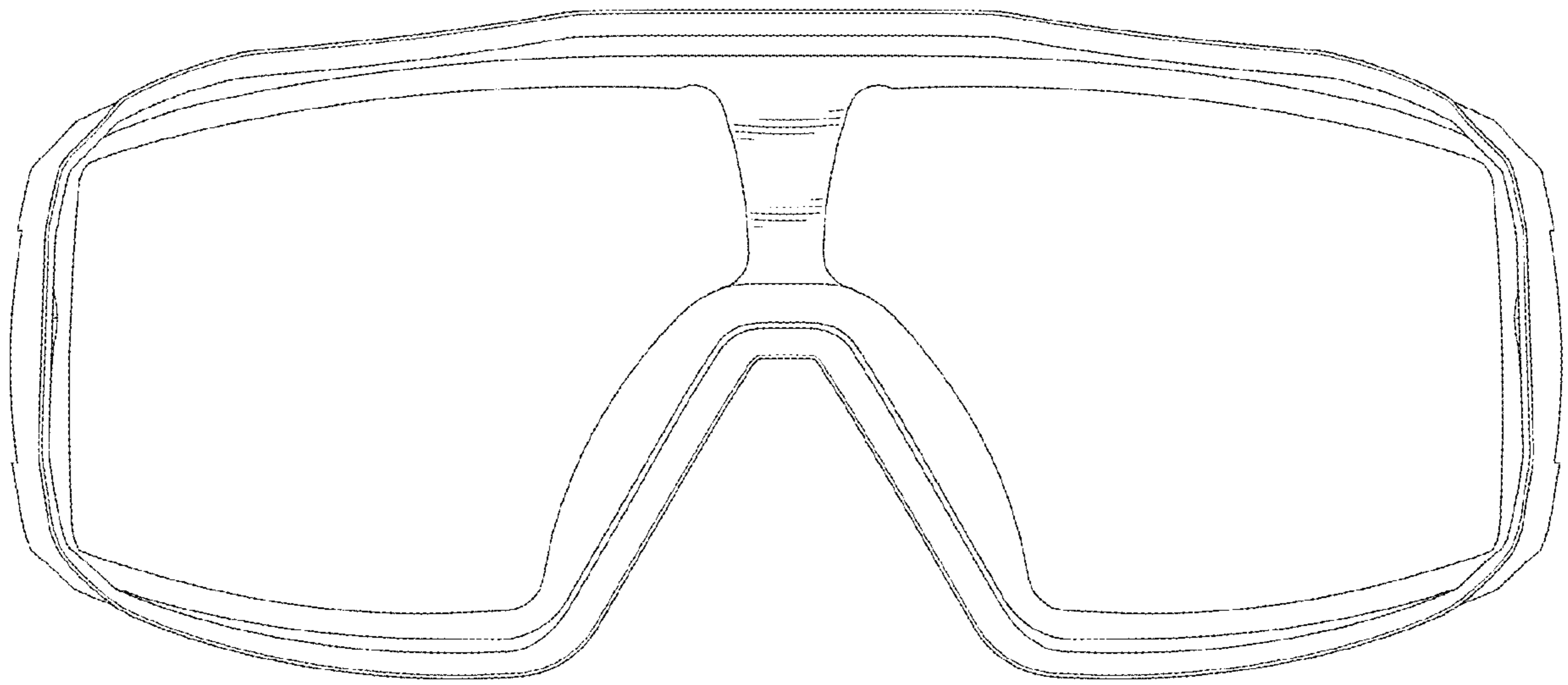


FIG. 3

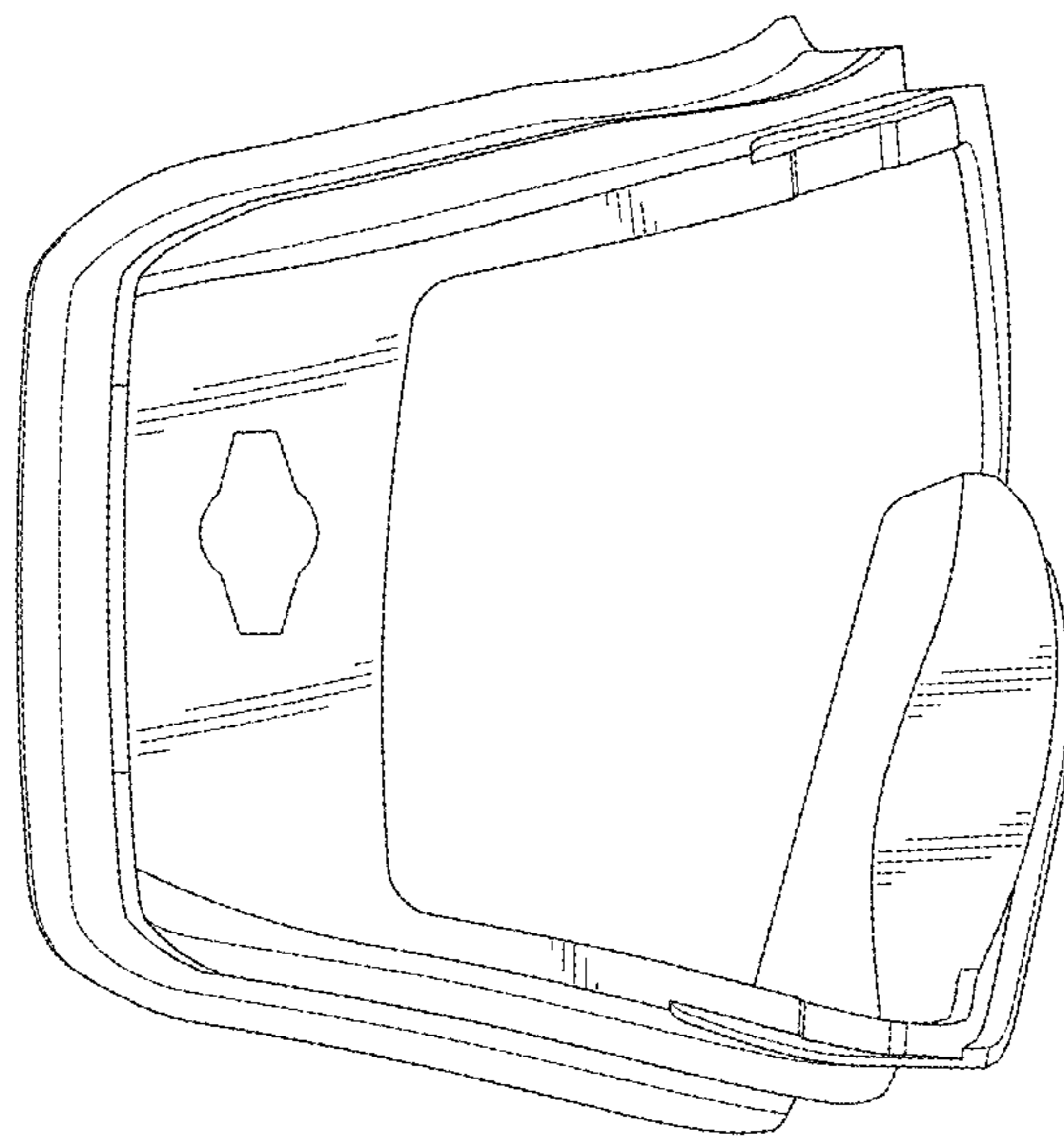


FIG. 4

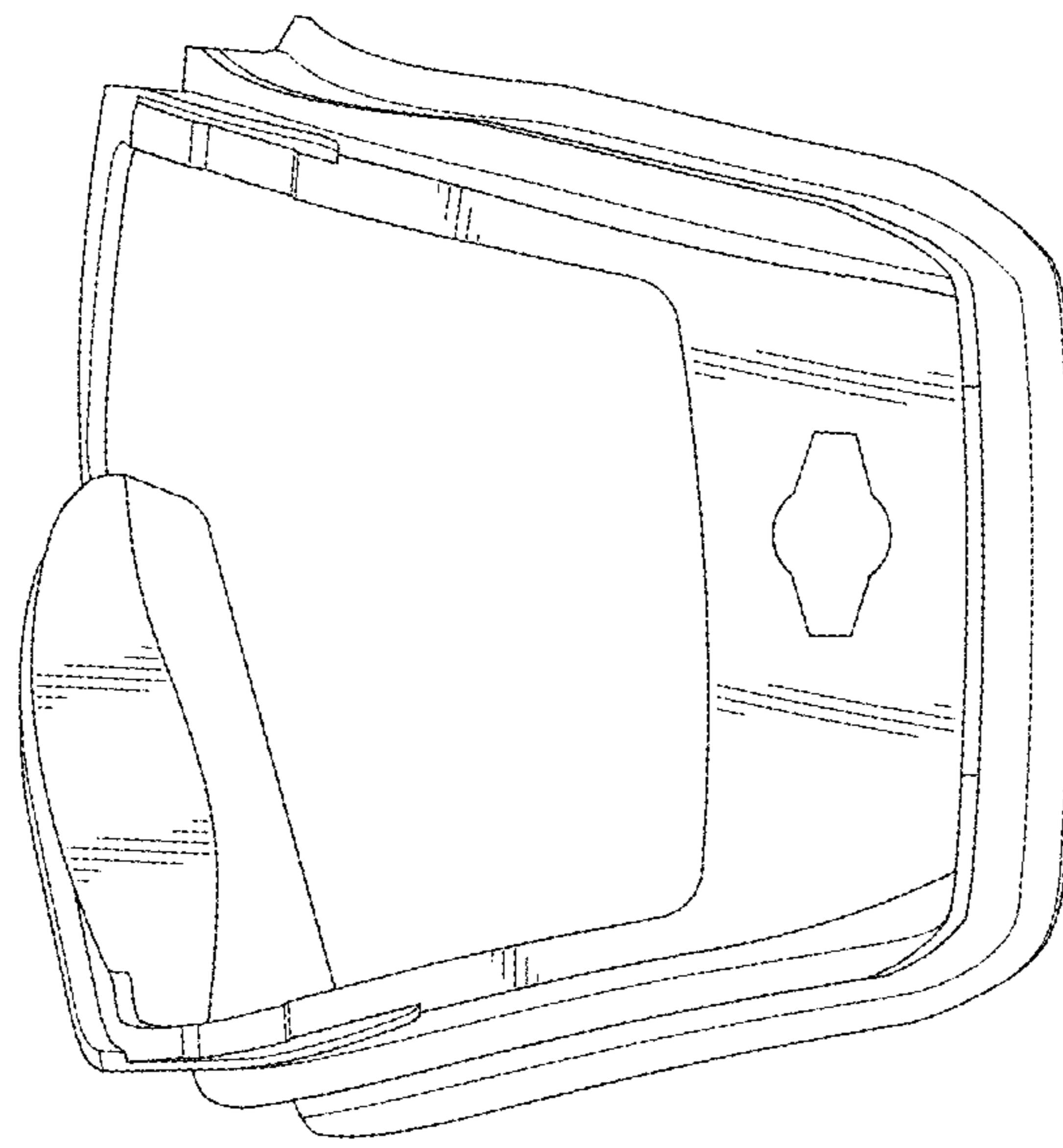


FIG. 5

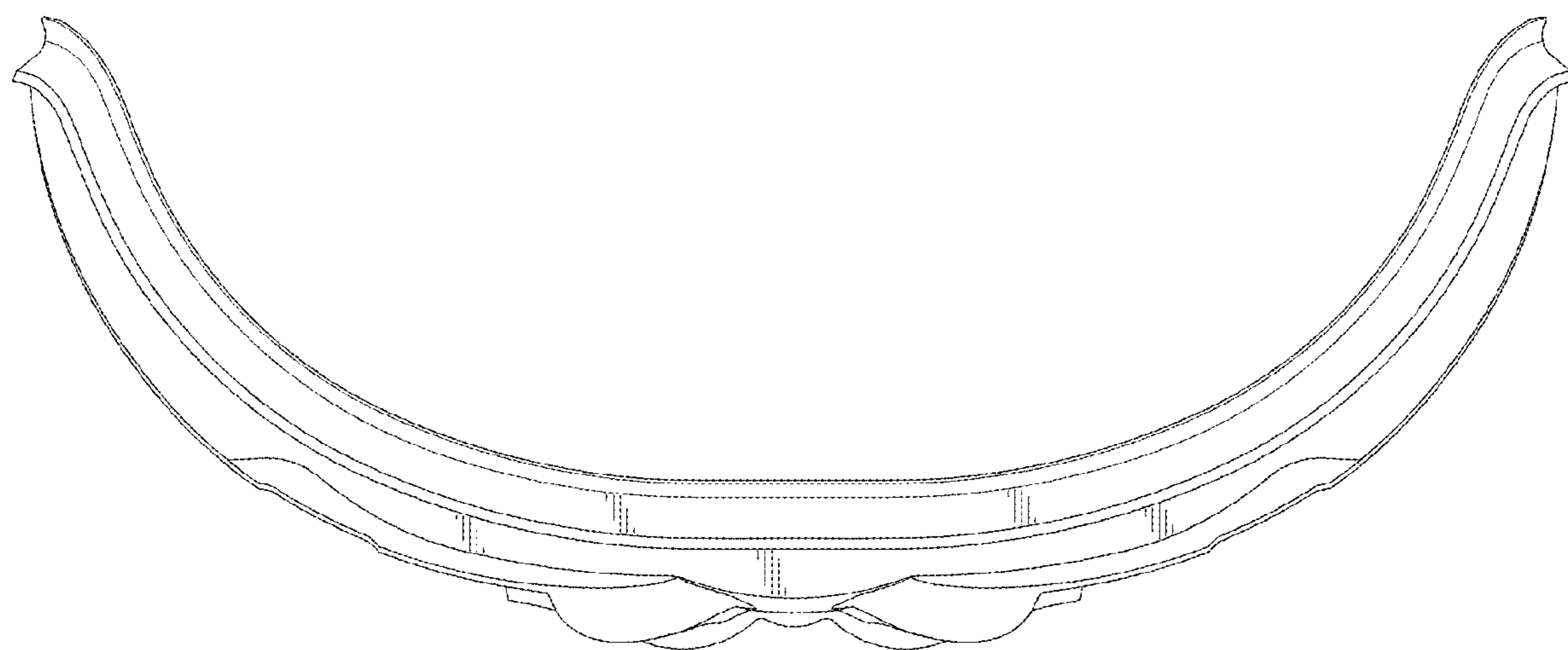


FIG. 6

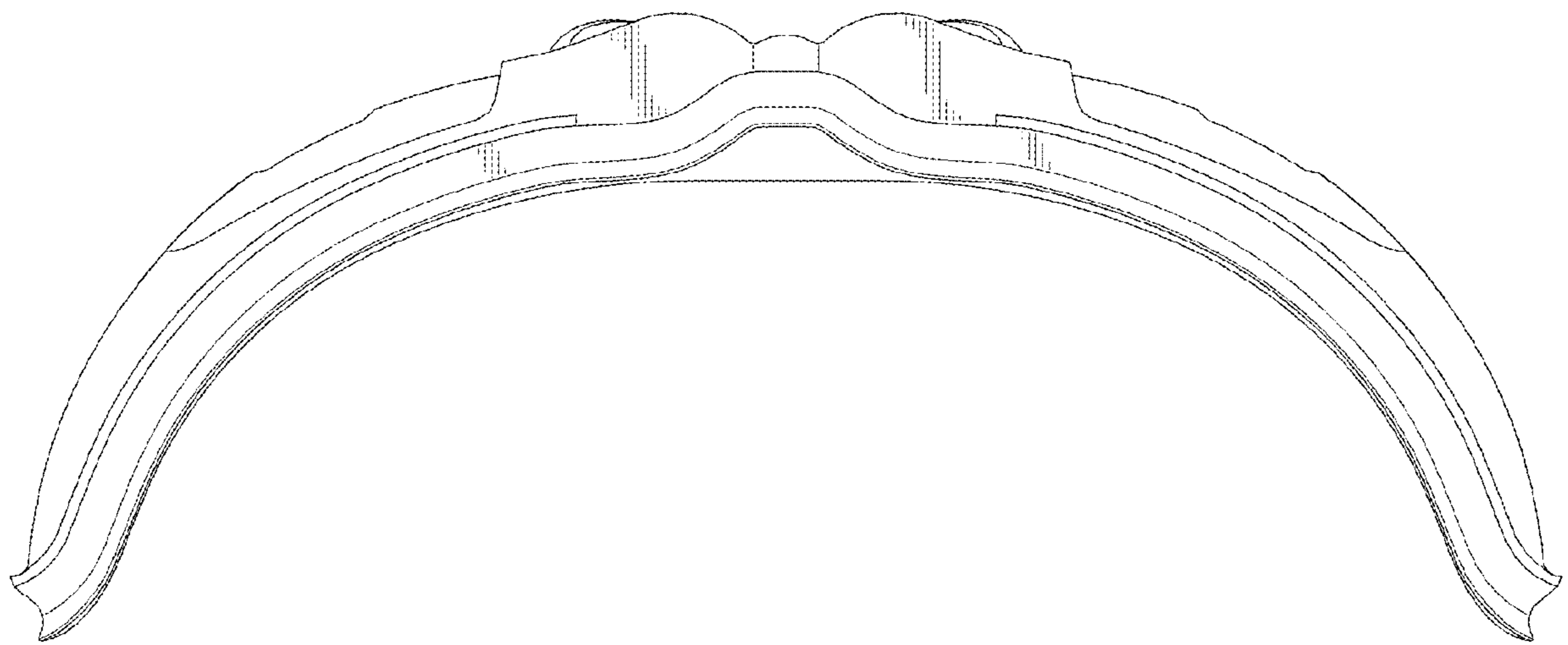


FIG. 7