



US00D900202S

(12) **United States Design Patent** (10) **Patent No.:** **US D900,202 S**
Clark et al. (45) **Date of Patent:** **** Oct. 27, 2020**

(54) **TRIPOD BALL HEAD**
(71) Applicant: **Colorado Tripod Company, LLC**,
Lakewood, CO (US)
(72) Inventors: **Graham Clark**, Lakewood, CO (US);
Thomas Cassaro, Minas Gerais (BR);
Robert Borgen, Denver, CO (US);
Nathan Kanner, Denver, CO (US)
(73) Assignee: **Colorado Tripod Company, LLC**,
Lakewood, CO (US)
(**) Term: **15 Years**
(21) Appl. No.: **29/686,584**
(22) Filed: **Apr. 5, 2019**
(51) **LOC (12) Cl.** **16-05**
(52) **U.S. Cl.**
USPC **D16/245**
(58) **Field of Classification Search**
USPC D16/219, 237-245, 237-250; D14/229,
D14/238, 251, 253, 447, 451, 457;
D8/354, 355, 363, 373, 382-383,
D8/394-396
CPC A45F 2200/0508-0533; A45F 5/00; A45F
5/10; F16M 11/06-10; F16M 11/14;
G02B 7/00-002; G03B 17/56; G03B
17/561-566; H04N 5/2253-2254
See application file for complete search history.

D746,352 S * 12/2015 Ryterski D16/219
D757,706 S * 5/2016 Taing D14/253
9,372,383 B2 * 6/2016 Johnson, Sr. F16M 11/28
D864,282 S * 10/2019 Liu D16/244
D865,752 S * 11/2019 Richardson D14/253
D881,968 S * 4/2020 Persson D16/203
D883,370 S * 5/2020 Clark D16/245
2007/0120027 A1 * 5/2007 Chang B60R 11/02
248/205.5
2018/0292043 A1 * 10/2018 Clark F16M 11/14

OTHER PUBLICATIONS

Summit Stability Z59. [online] Published on Mar. 17, 2019. Retrieved Jul. 23, 2020 from URL: <https://imgur.com/a/iKQ2Hu4>.*

* cited by examiner

Primary Examiner — Vy N Koenig
(74) *Attorney, Agent, or Firm* — Christopher Pilling;
Johan Eide; My Patent Guys

(57) **CLAIM**

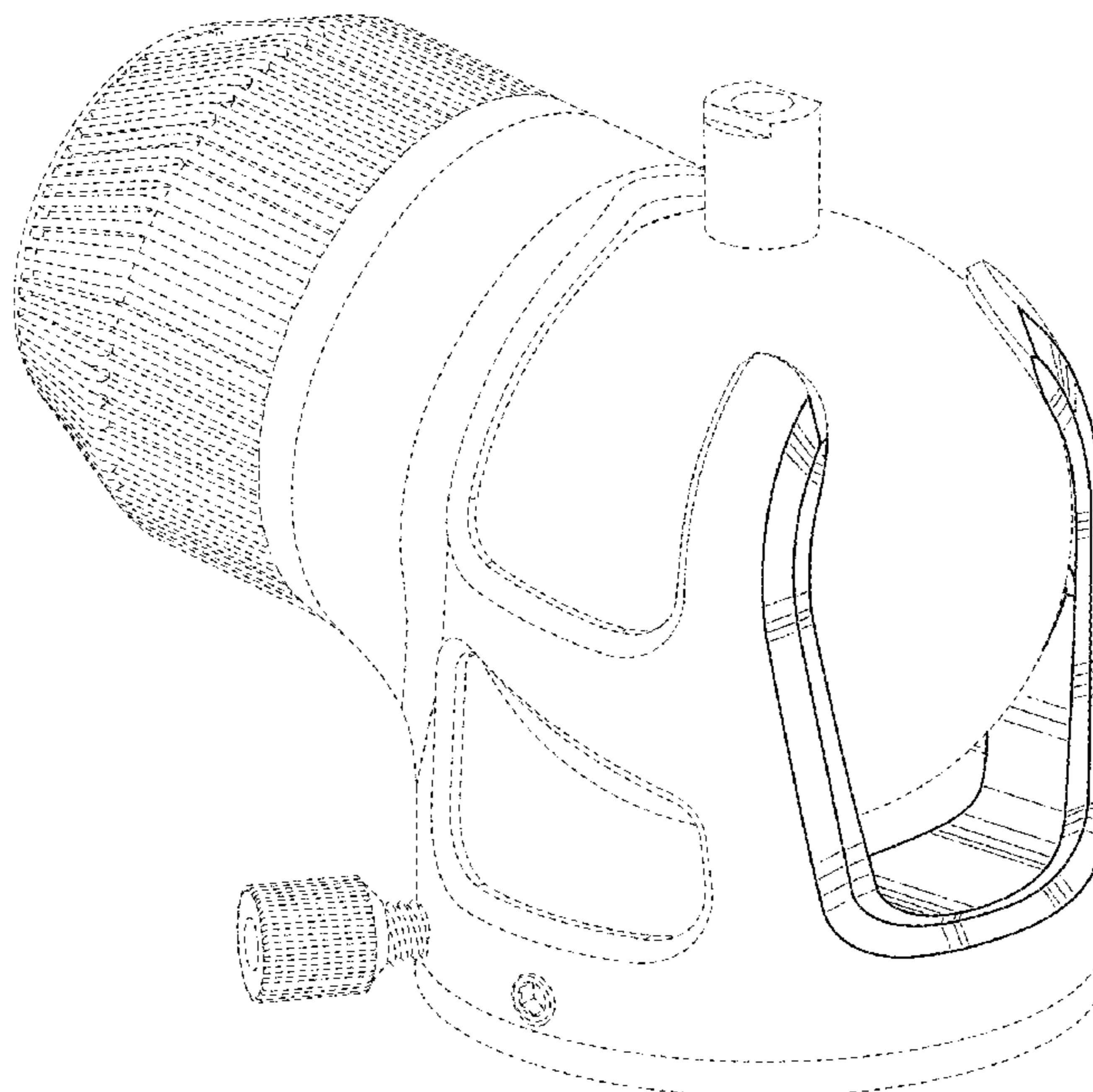
The ornamental design for a tripod ball head, as shown and described.

DESCRIPTION

FIG. 1 is a front perspective view of a tripod ball head in accordance with the present invention; FIG. 2 is a right side view thereof; FIG. 3 is a left side view thereof; FIG. 4 is a front view thereof; FIG. 5 is a rear view thereof; FIG. 6 is a top view thereof; and, FIG. 7 is a bottom view thereof. The broken lines shown in the drawing depict portions of the tripod ball head that form no part of the claimed design.

1 Claim, 7 Drawing Sheets

(56) **References Cited**
U.S. PATENT DOCUMENTS
D714,267 S * 9/2014 Kallas D14/229
9,052,574 B1 * 6/2015 Johnson, Sr. F16M 11/105
D734,337 S * 7/2015 Volta D14/420
D745,911 S * 12/2015 Lee D16/203



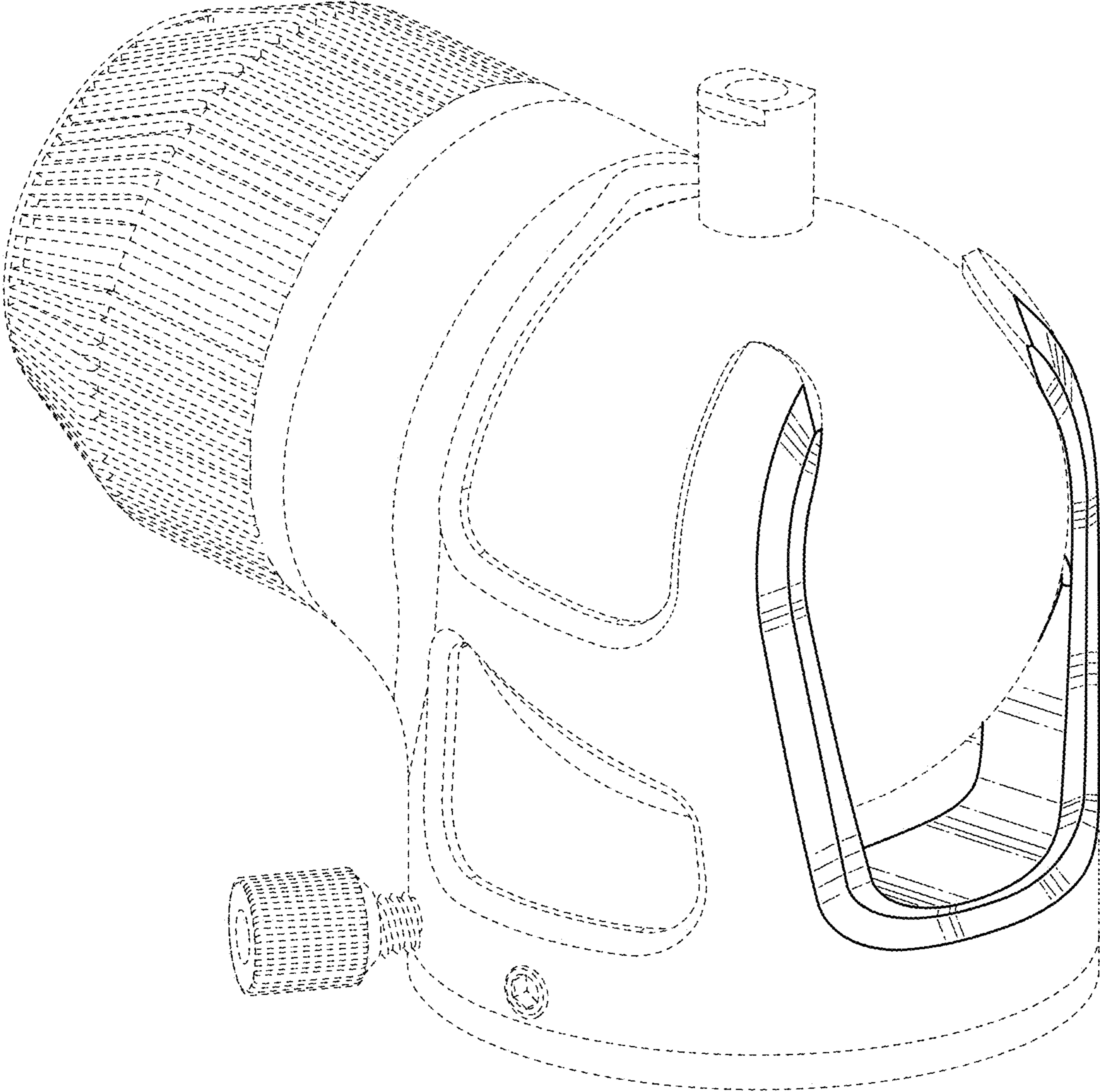


FIG. 1

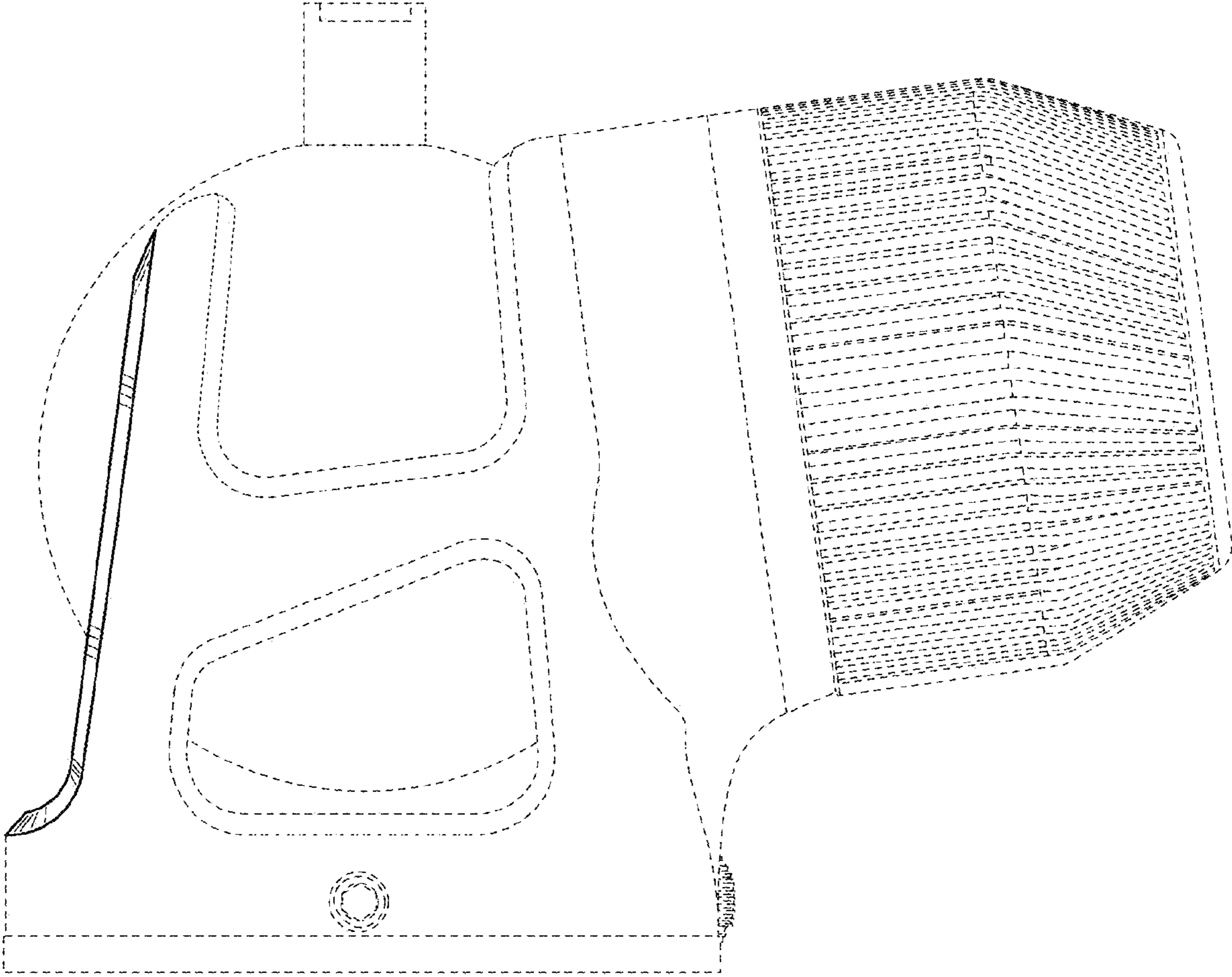


FIG. 2

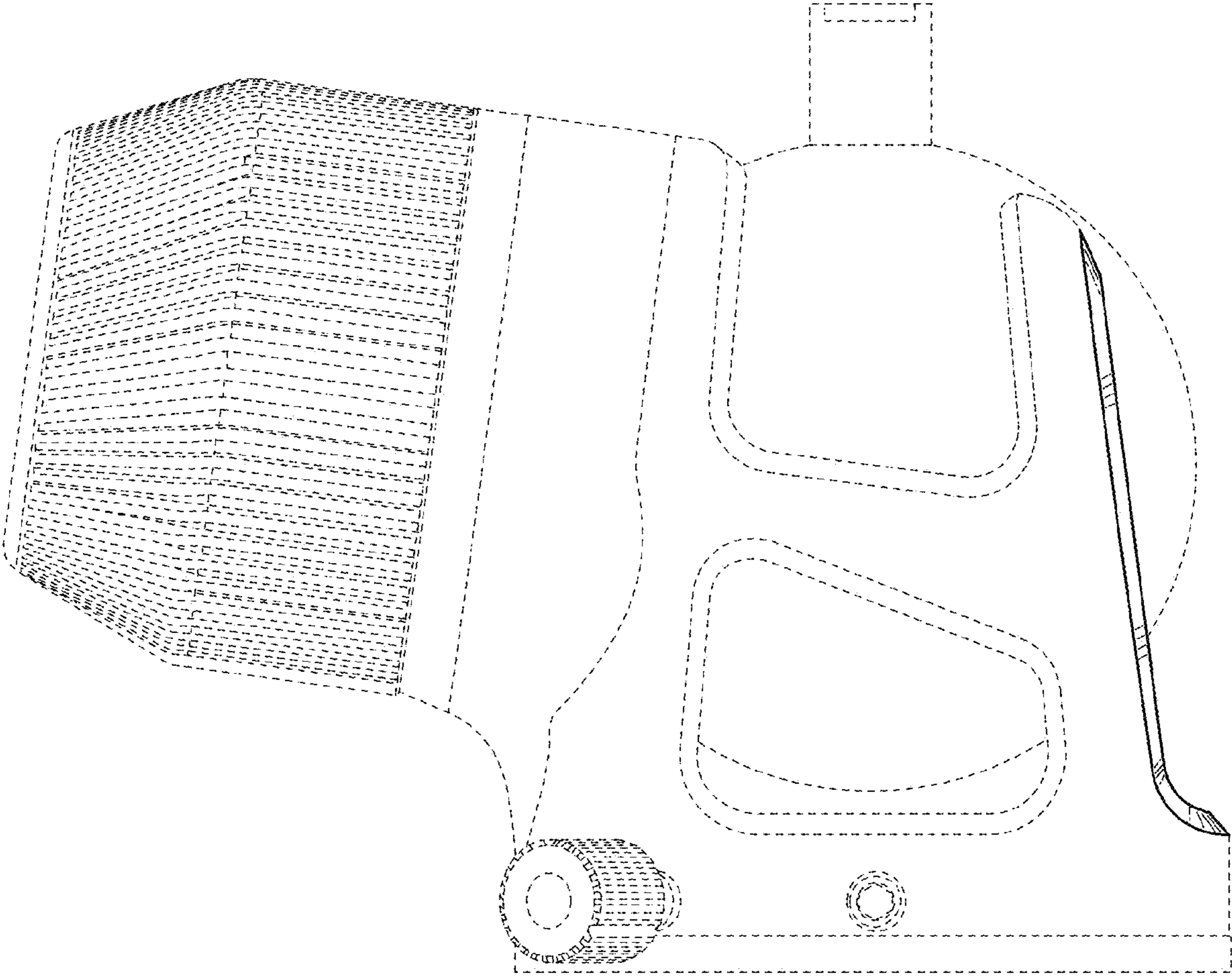


FIG. 3

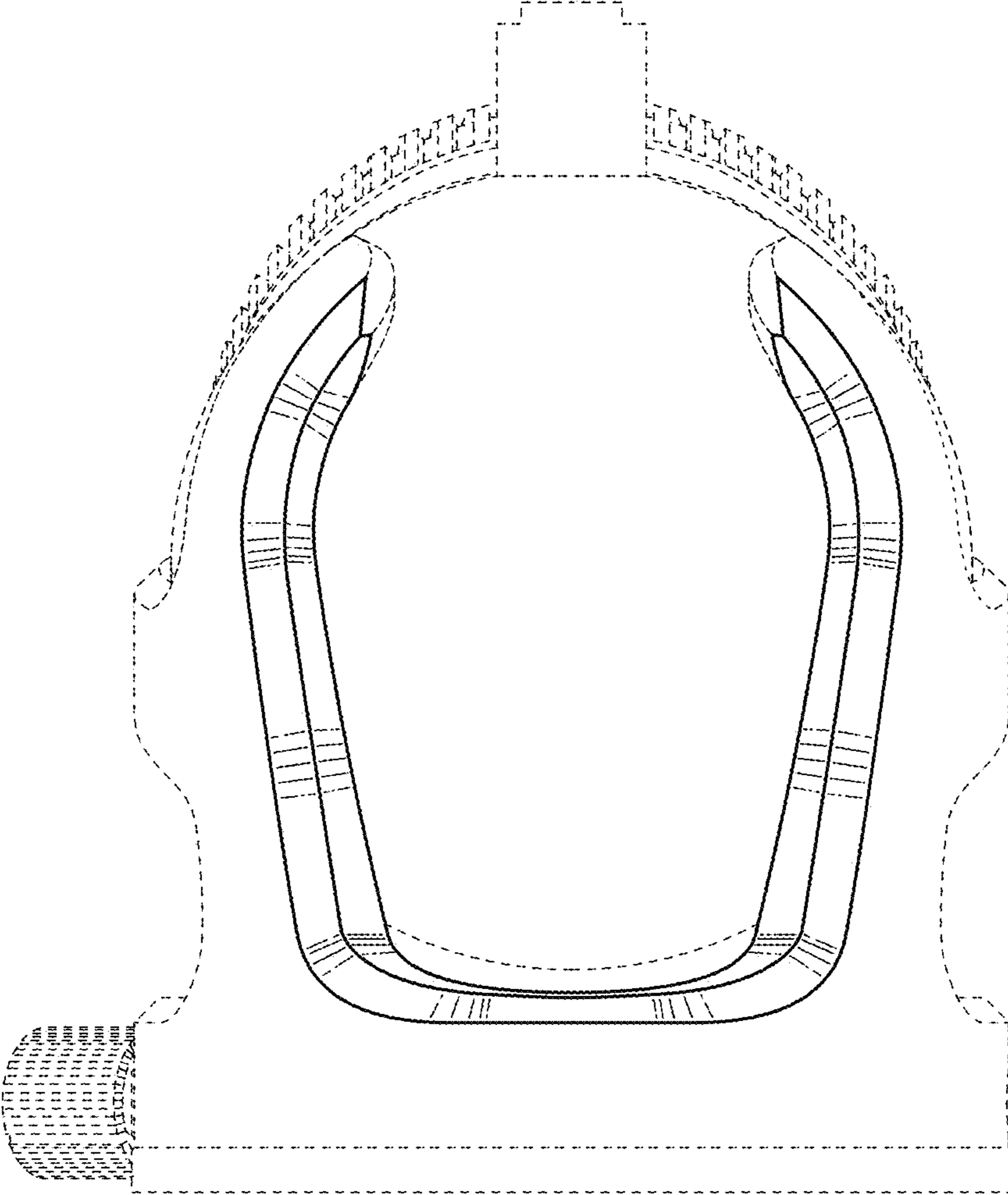


FIG. 4

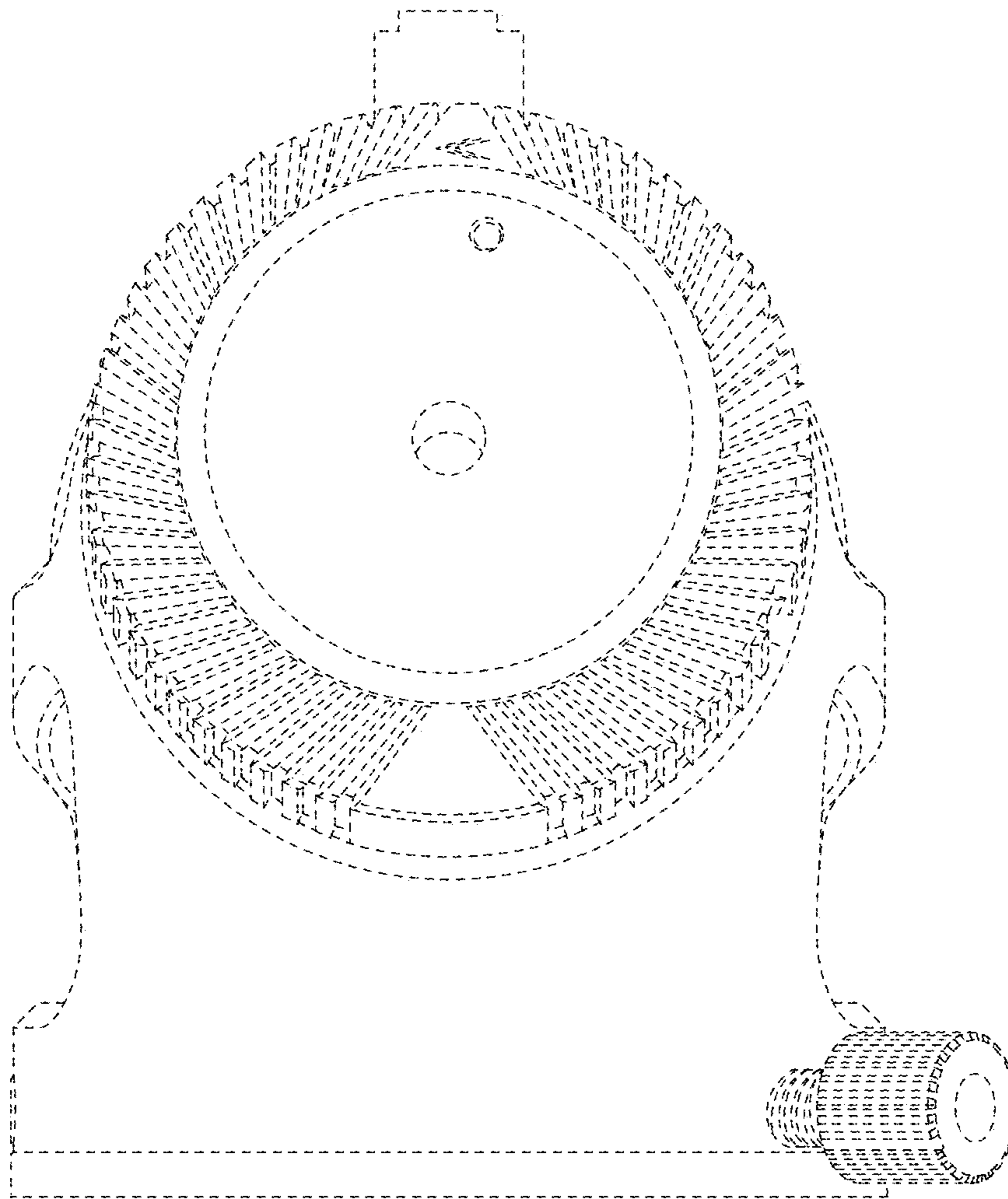


FIG. 5

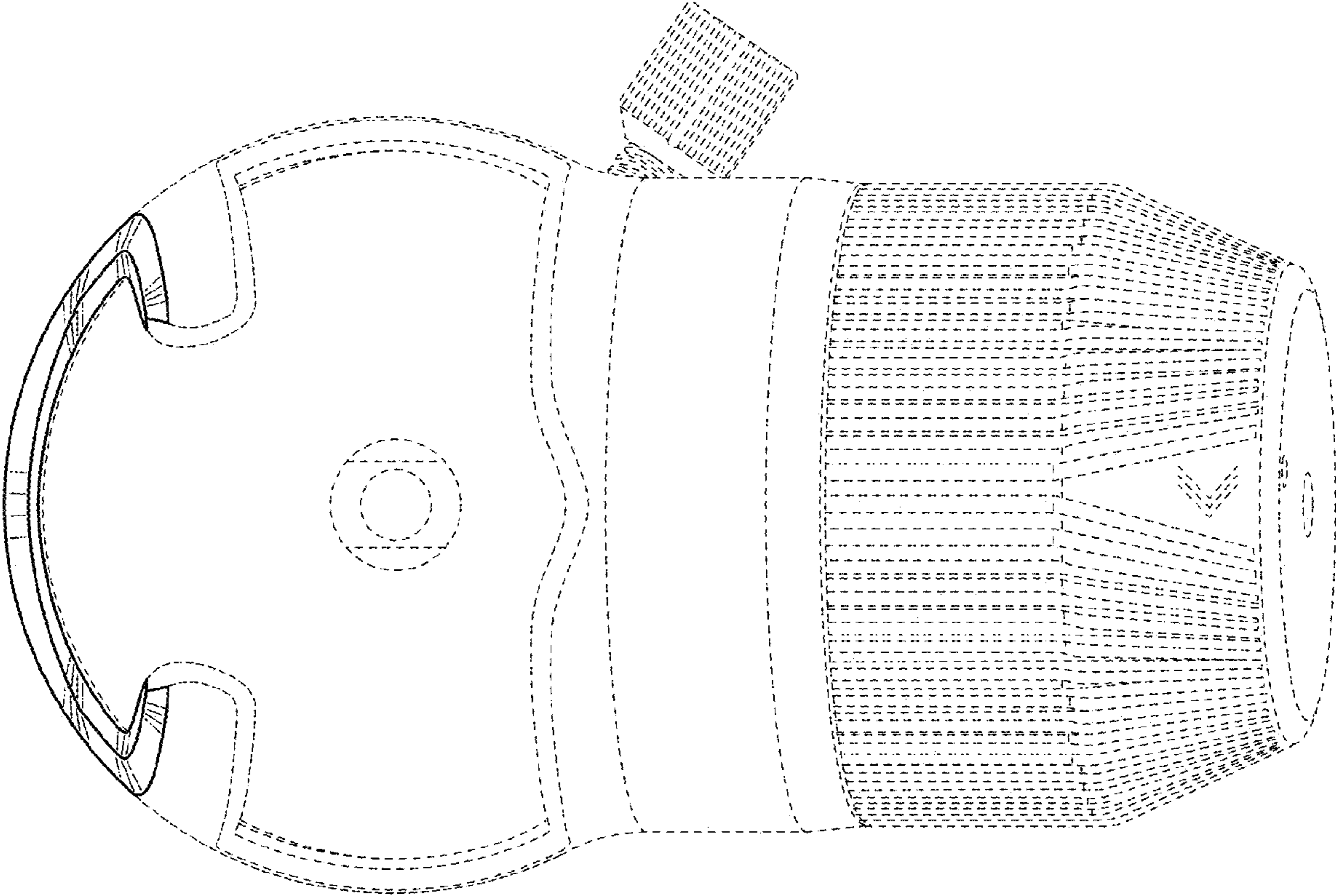


FIG. 6

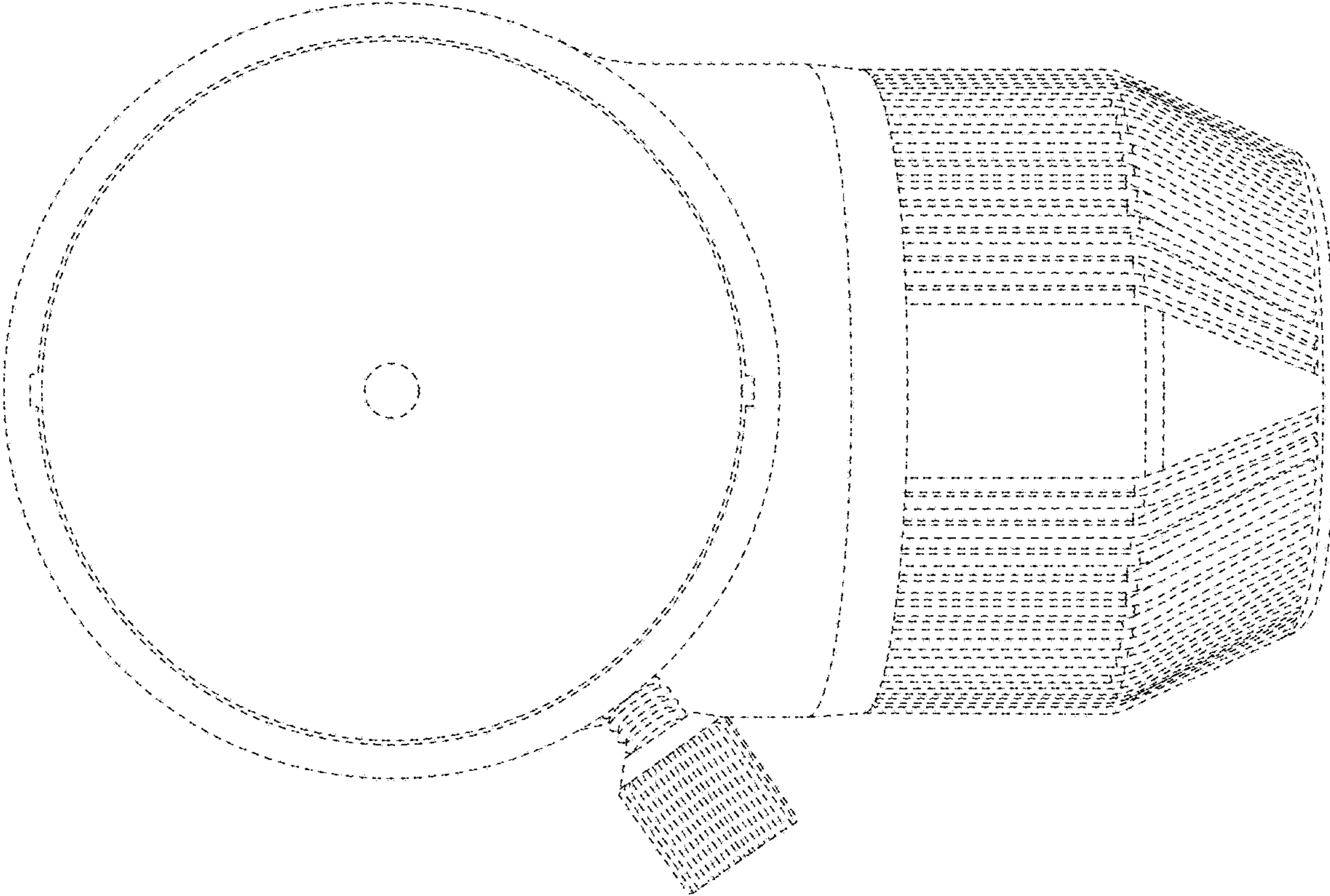


FIG. 7