



(12) **United States Design Patent**  
**Shan et al.**

(10) **Patent No.:** **US D900,200 S**  
(45) **Date of Patent:** **\*\* Oct. 27, 2020**

(54) **CAMERA STABILIZER**

(71) Applicant: **WINNERS' SUN PLASTIC & ELECTRONIC (SHENZHEN) CO., LTD.**, Shenzhen (CN)

(72) Inventors: **Jinghua Shan**, Shenzhen (CN); **Yi Bing Peng**, Shenzhen (CN)

(73) Assignee: **WINNERS' SUN PLASTIC & ELECTRONIC (SHENZHEN) CO., LTD.**, Shenzhen (CN)

(\*\*) Term: **15 Years**

(21) Appl. No.: **29/703,665**

(22) Filed: **Aug. 29, 2019**

(30) **Foreign Application Priority Data**

Mar. 4, 2019 (CN) ..... 2019 3 0085881

(51) **LOC (12) Cl.** ..... **16-05**

(52) **U.S. Cl.**  
USPC ..... **D16/243; D16/237**

(58) **Field of Classification Search**  
USPC ..... D16/200, 202-206, 208, 211, 214, 218, D16/219, 237-245; D14/130, 132, 144, D14/167, 203.1, 251-253; D10/104.1, D10/104.2, 106.1, 106.2, 106.5; 348/164, 348/347, 373-376; 396/535, 539-541; 250/330, 332  
CPC ..... G03B 15/00; G03B 15/03; G03B 17/02; G03B 17/04; G03B 17/56; G03B 19/04; H04N 5/2251; H04N 5/2252; H04N 5/2253; H04N 5/2254; H04N 2101/00; F16M 11/04; F16M 13/00  
See application file for complete search history.

(56) **References Cited**

**U.S. PATENT DOCUMENTS**

8,770,539 B1 \* 7/2014 Hsu ..... F16M 11/10 248/688  
D715,791 S \* 10/2014 Yu ..... D14/253

D779,579 S \* 2/2017 Anari, III ..... D16/242  
D779,580 S \* 2/2017 Jia ..... D16/243  
D785,073 S \* 4/2017 Wang ..... D16/242  
D799,448 S \* 10/2017 Zheng ..... D14/217  
D810,171 S \* 2/2018 Kim ..... D16/206  
D814,545 S \* 4/2018 Kim ..... D16/206  
D815,180 S \* 4/2018 Kim ..... D16/206  
D826,310 S \* 8/2018 Wang ..... D16/243  
D836,699 S \* 12/2018 Kim ..... D16/206  
D841,724 S \* 2/2019 Huang ..... D16/243  
2016/0381271 A1 \* 12/2016 Cheng ..... F16M 11/041 348/208.2

\* cited by examiner

*Primary Examiner* — Ramzi S Almatrahi

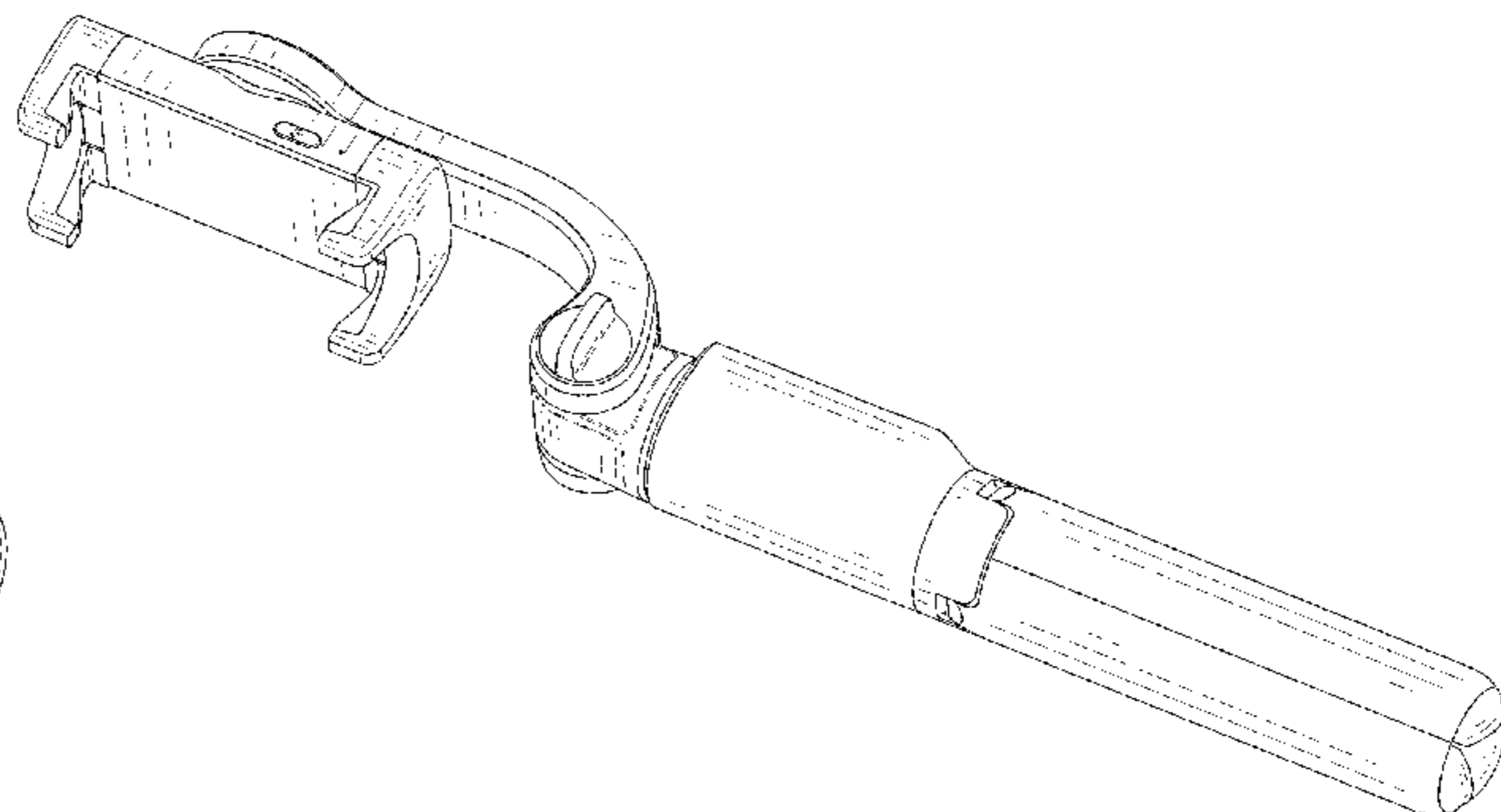
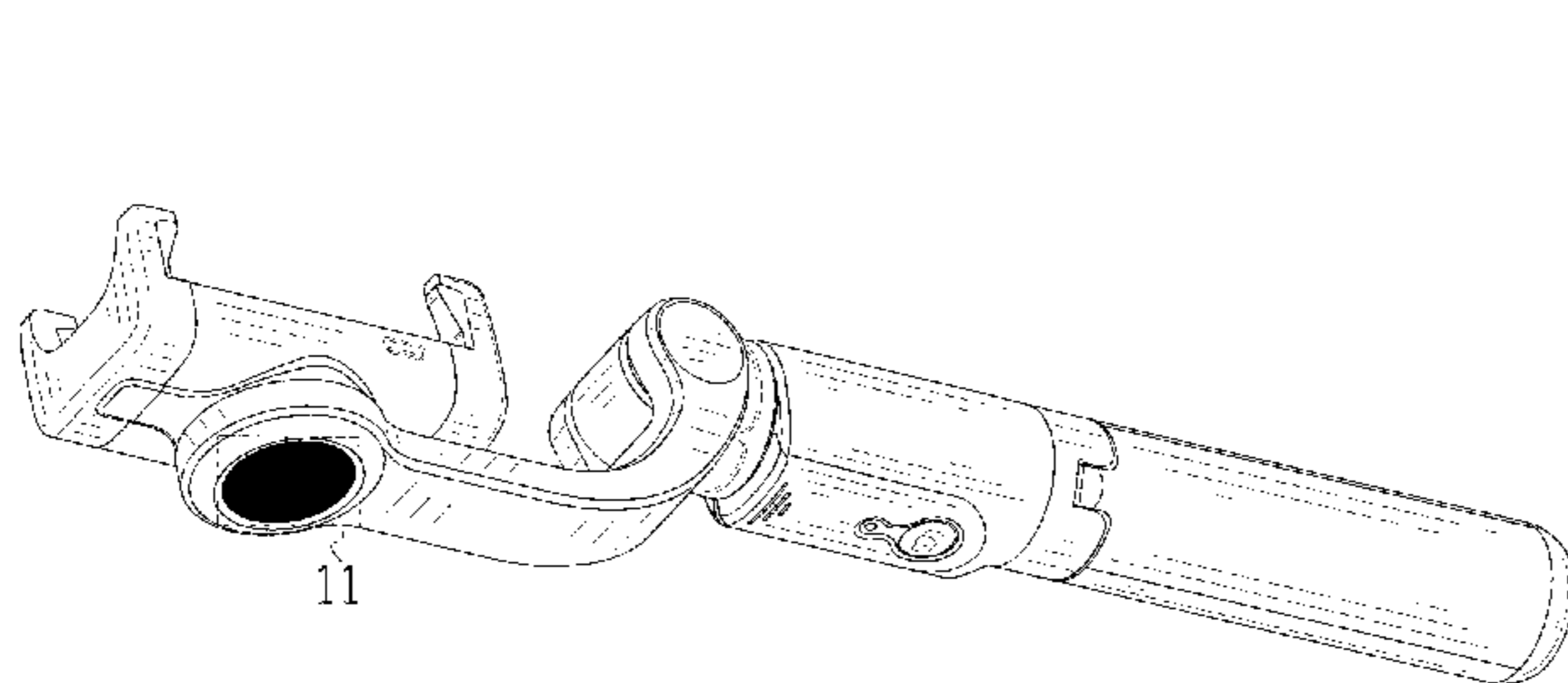
(57) **CLAIM**

The ornamental design for a camera stabilizer, as shown and described.

**DESCRIPTION**

FIG. 1 is a front perspective view of a camera stabilizer showing our new design;  
FIG. 2 is a rear perspective view thereof;  
FIG. 3 is a front elevational view thereof;  
FIG. 4 is a rear elevational view thereof;  
FIG. 5 is a left side elevational view thereof;  
FIG. 6 is a right side elevational view thereof;  
FIG. 7 is a top plan view thereof;  
FIG. 8 is a bottom plan view thereof;  
FIG. 9 is a front perspective view thereof, shown in a folded configuration;  
FIG. 10 is a rear perspective view thereof, shown in condition of use;  
FIG. 11 is an enlarged view of portion 11 in FIG. 1; and, FIG. 12 is an enlarged view of portion 12 in FIG. 3.  
The broken lines in the drawings depict portions of the camera stabilizer that form no part of the claimed design.

**1 Claim, 12 Drawing Sheets**



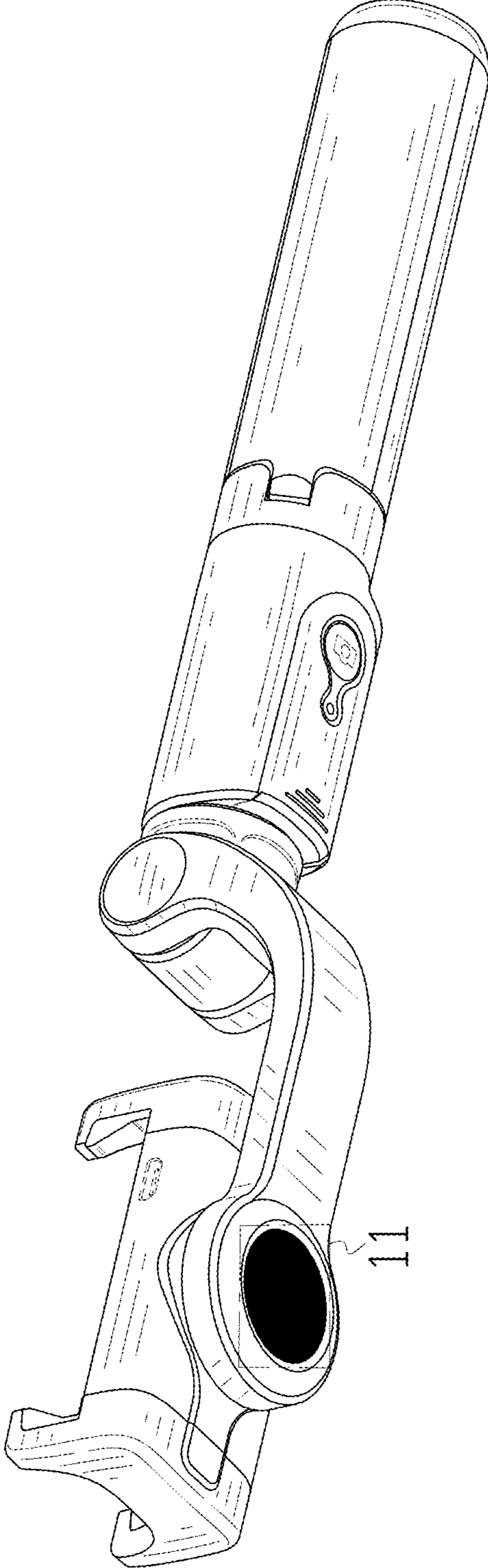


FIG. 1

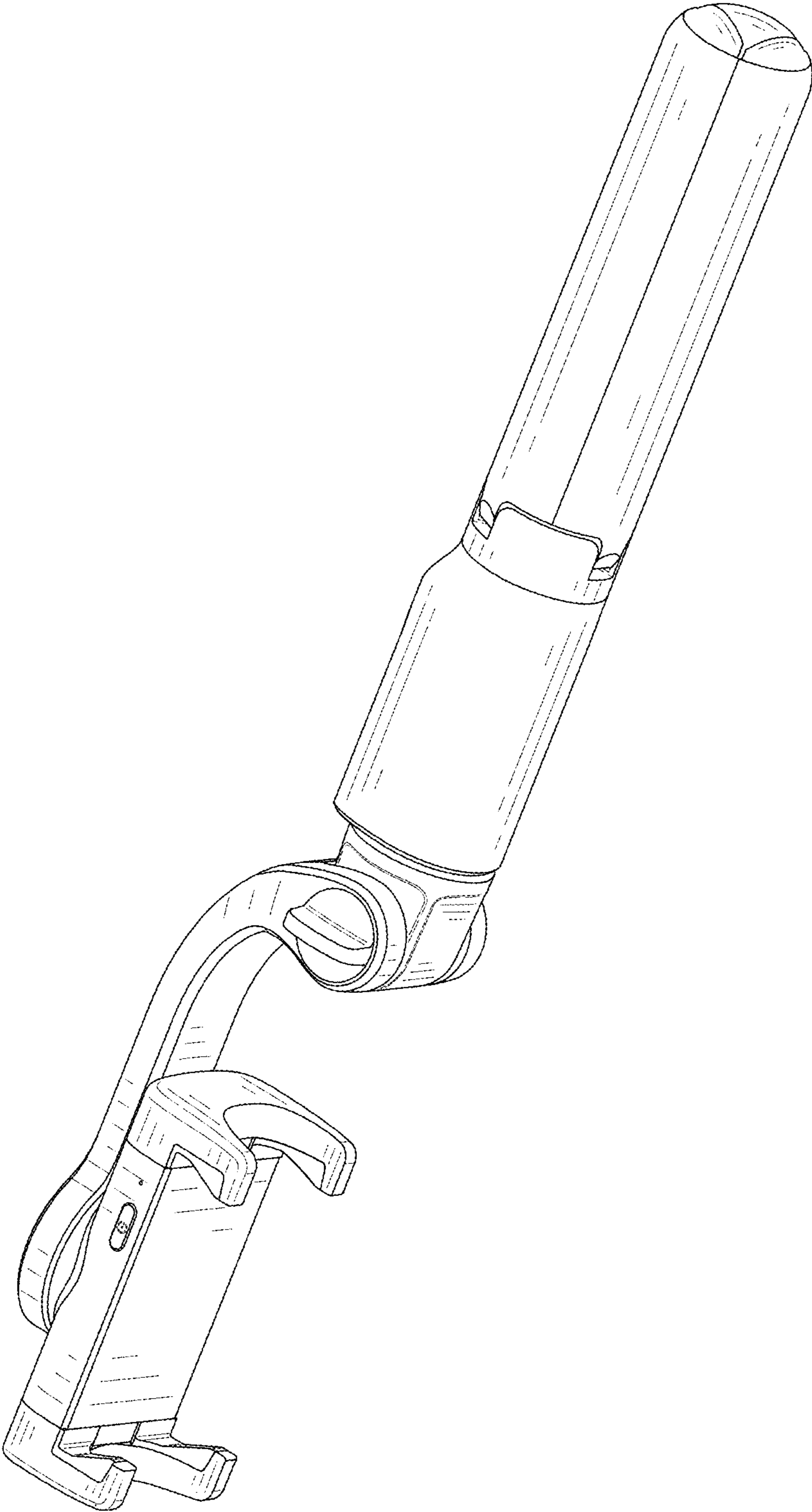


FIG. 2

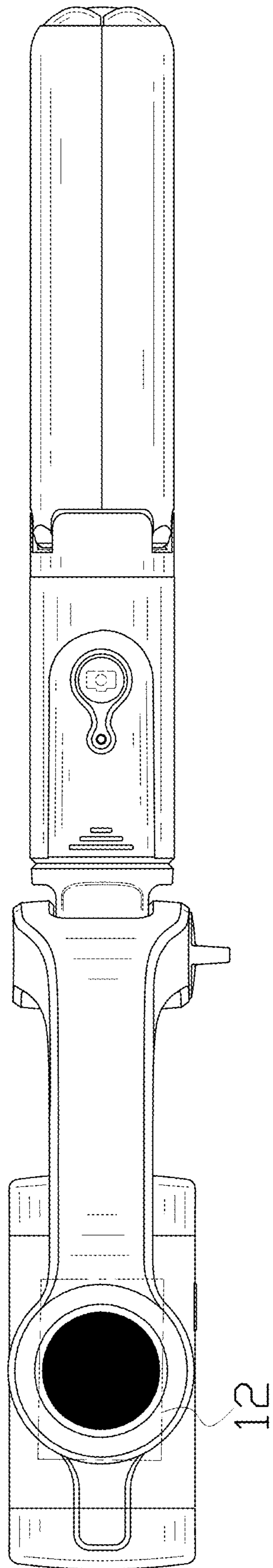


FIG. 3

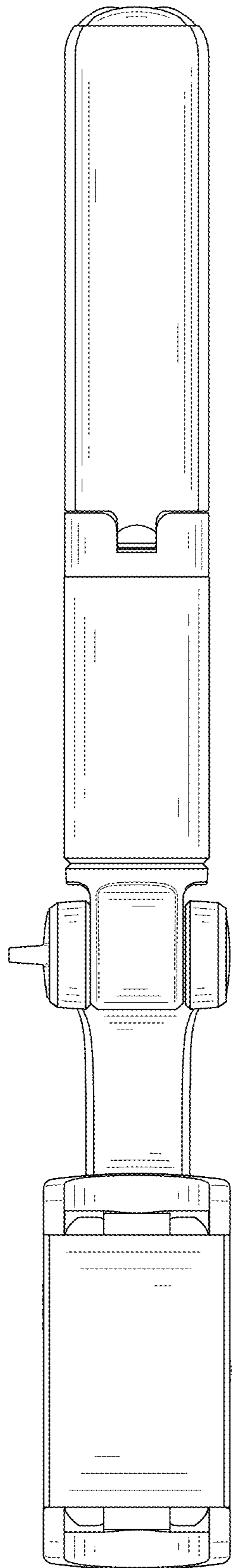


FIG. 4

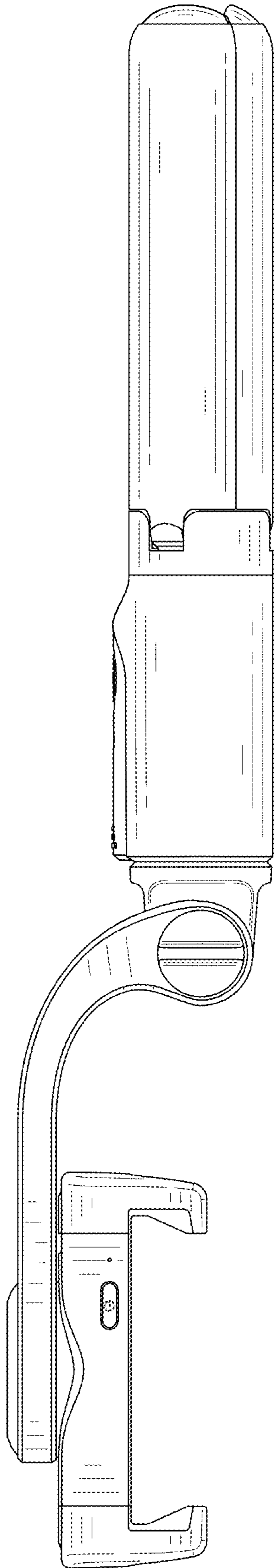


FIG. 5

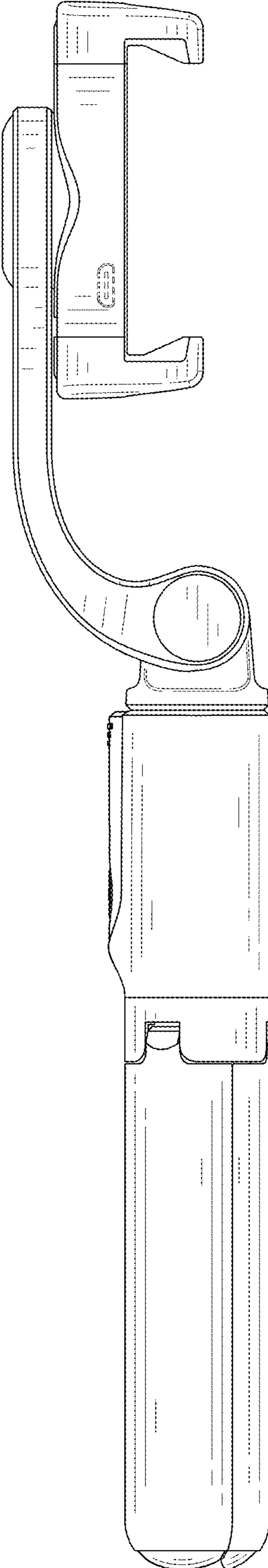


FIG. 6

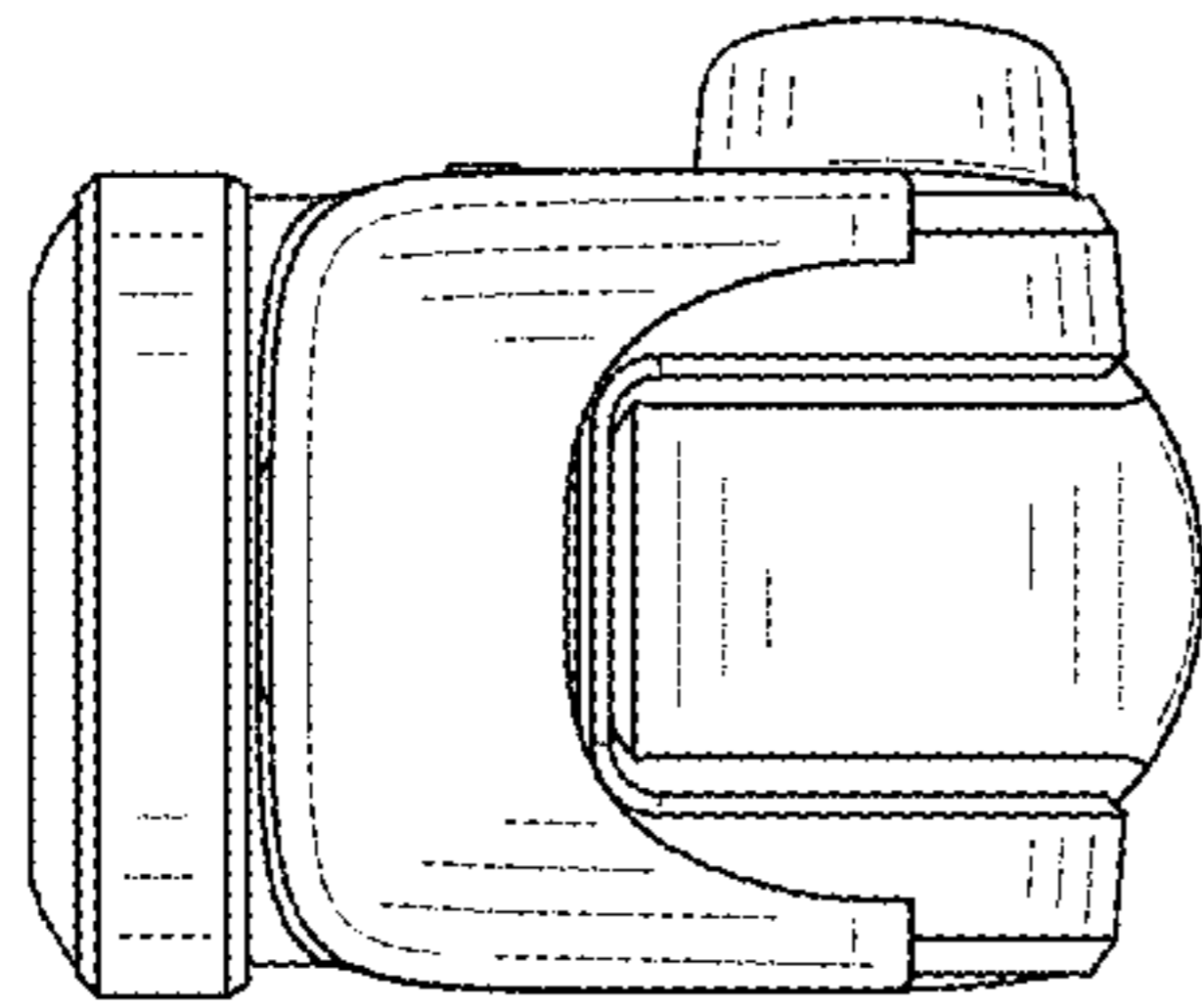


FIG. 7



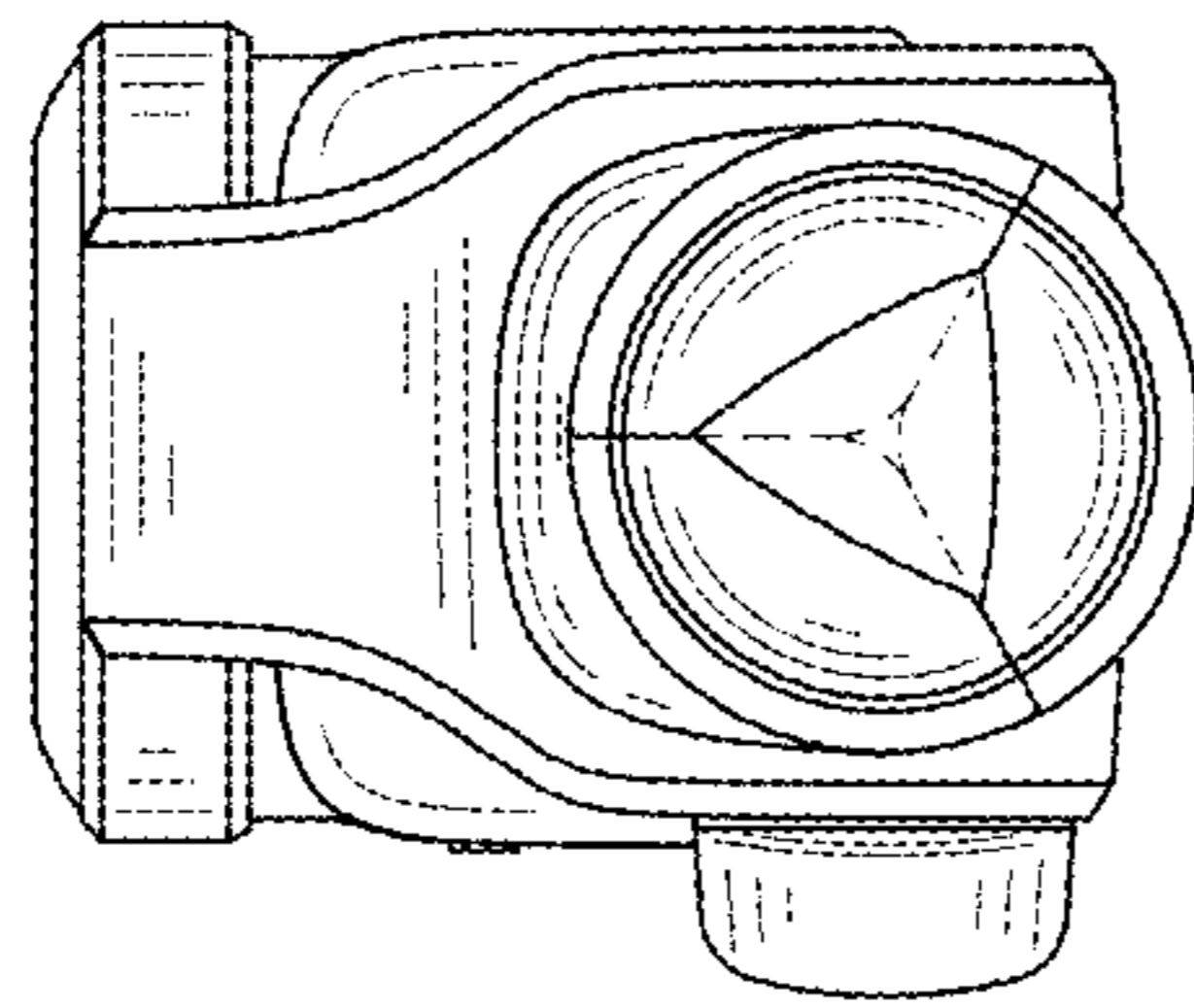


FIG. 8

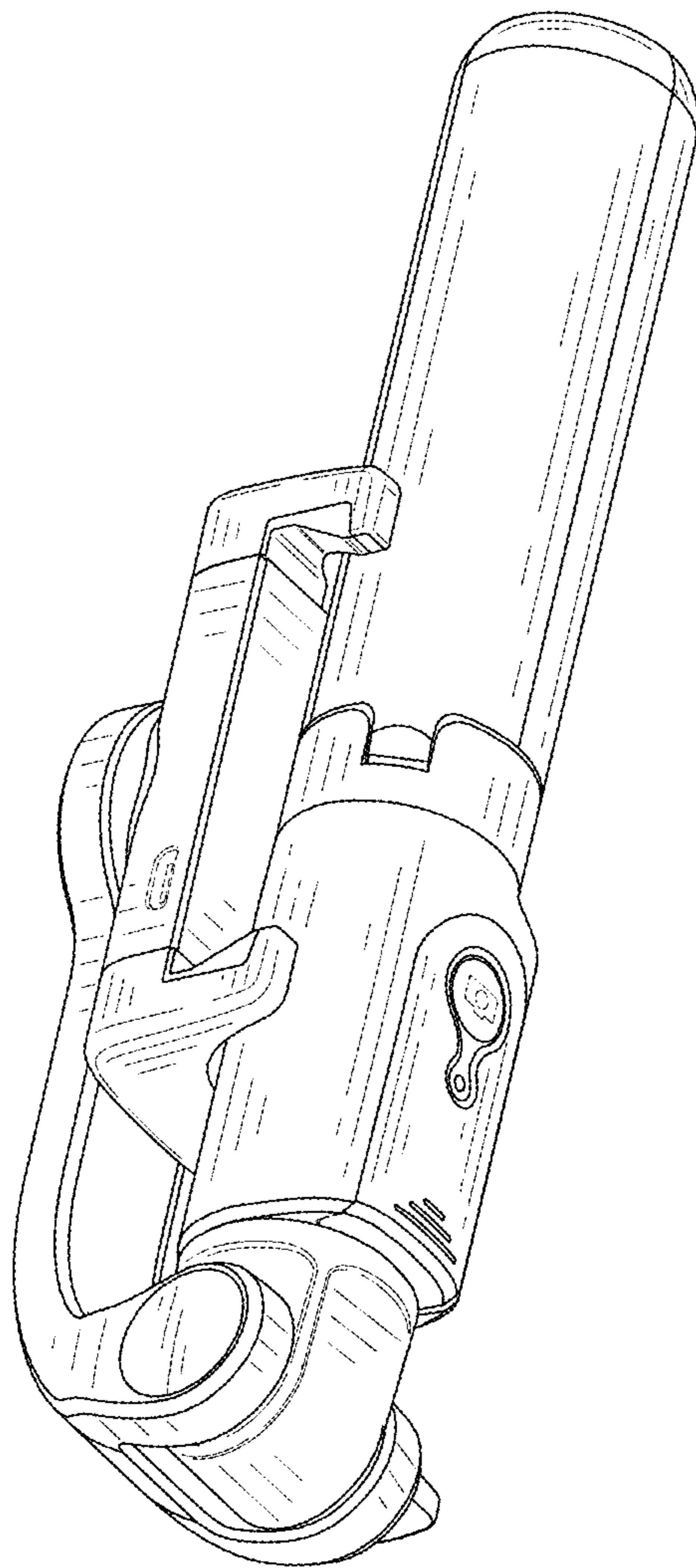


FIG. 9

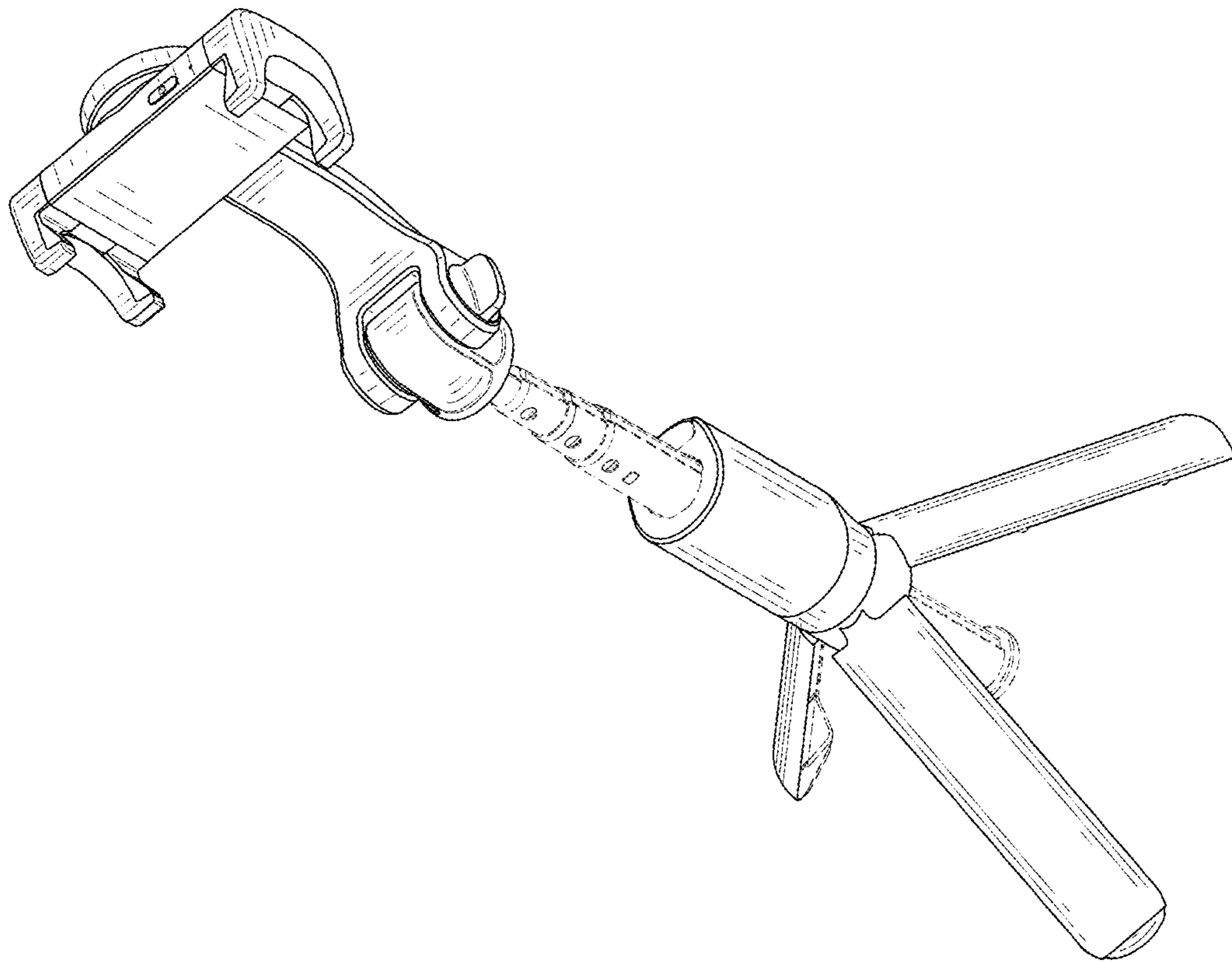


FIG. 10

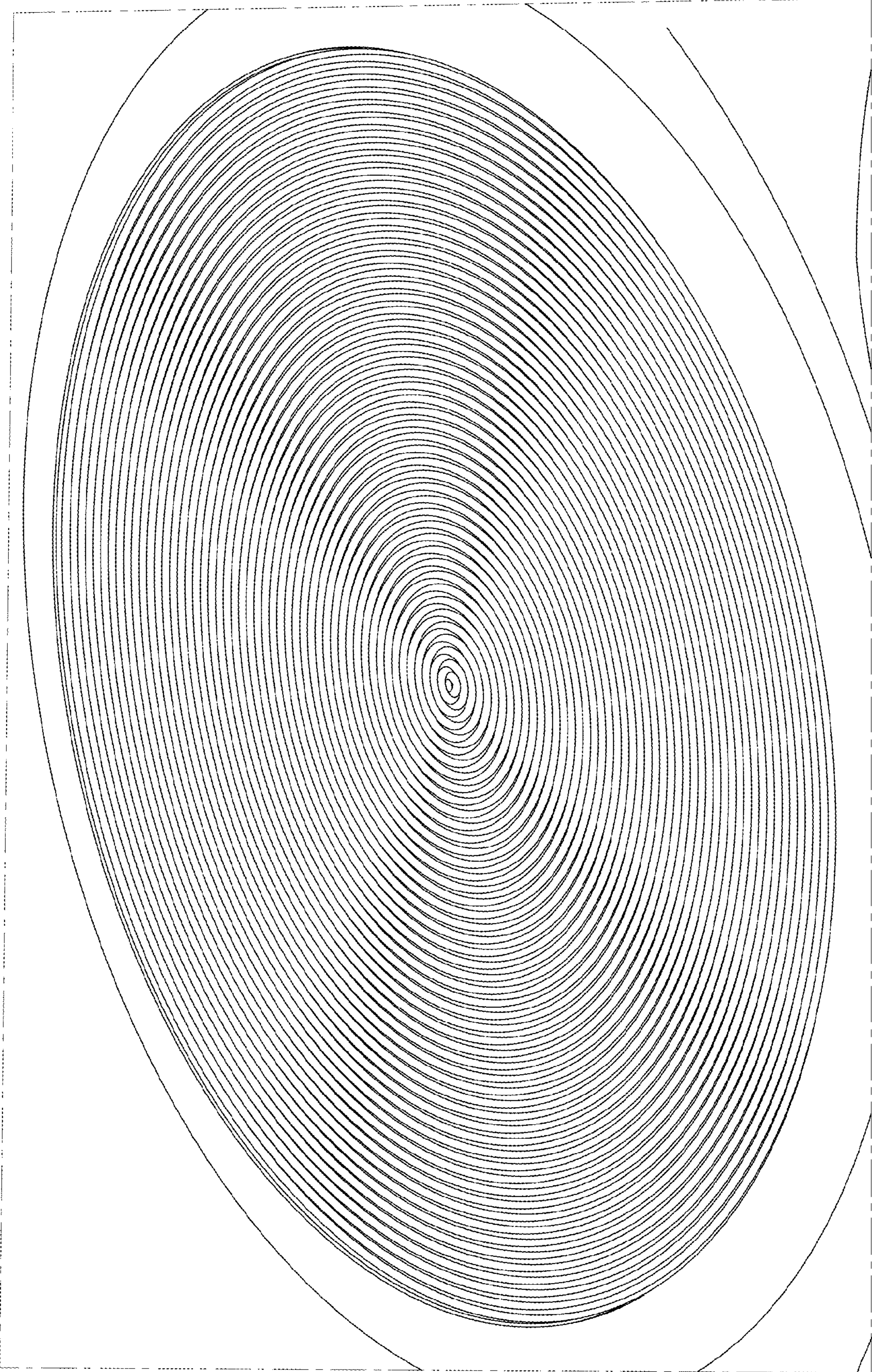


FIG. 11

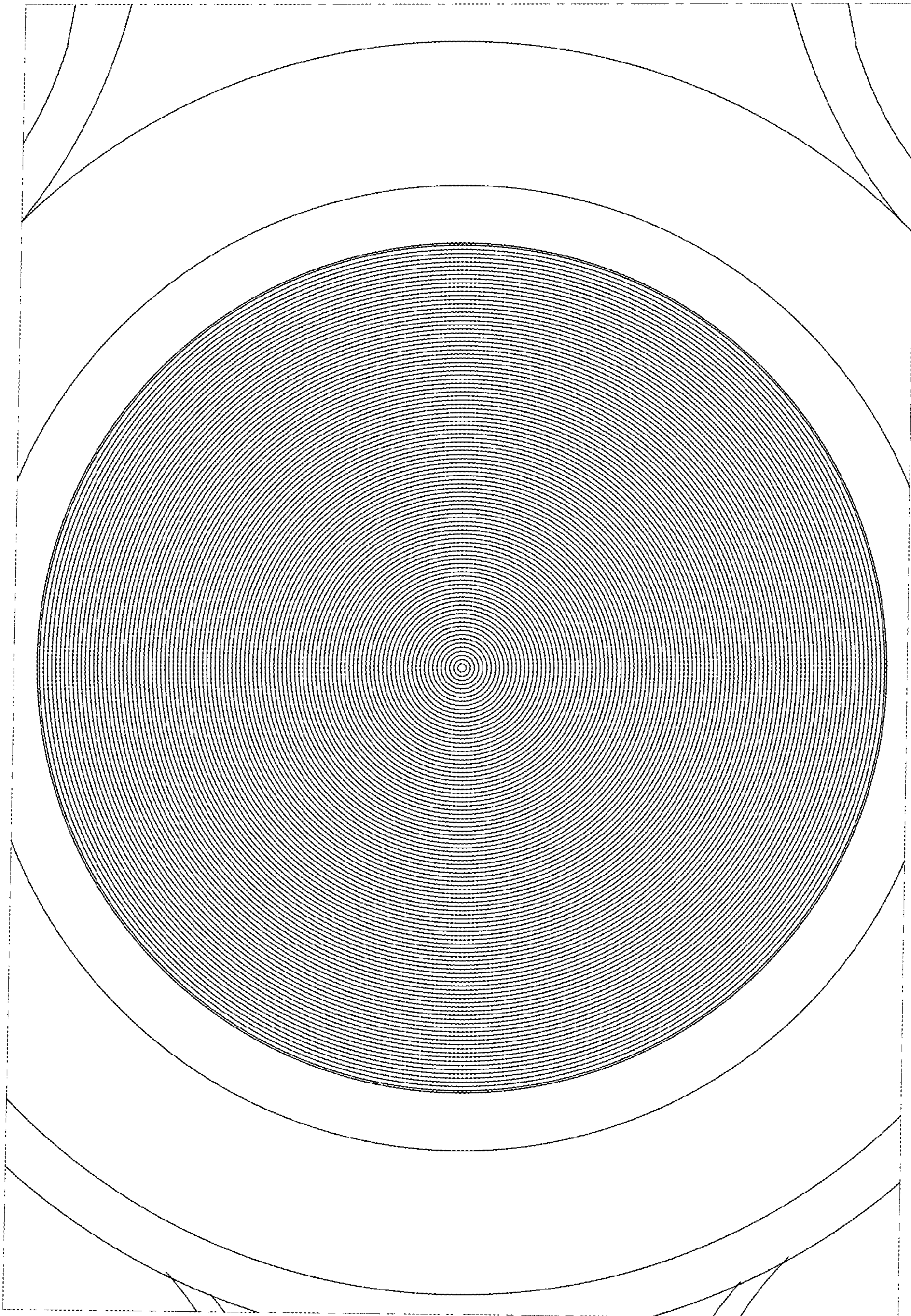


FIG. 12