



US00D900199S

(12) **United States Design Patent**
Rogers

(10) **Patent No.:** **US D900,199 S**

(45) **Date of Patent:** **** Oct. 27, 2020**

(54) **T-POST MOUNT FOR ANIMAL FEED
BLOCKS OR GAME CAMERAS**

(71) Applicant: **Michael A. K. Rogers**, Stephenville,
TX (US)

(72) Inventor: **Michael A. K. Rogers**, Stephenville,
TX (US)

(**) Term: **15 Years**

(21) Appl. No.: **29/726,751**

(22) Filed: **Mar. 5, 2020**

Related U.S. Application Data

(63) Continuation-in-part of application No. 16/656,547,
filed on Oct. 17, 2019, now abandoned.

(51) **LOC (12) Cl.** **16-05**

(52) **U.S. Cl.**
USPC **D16/242**

(58) **Field of Classification Search**
USPC D16/219, 237-250; D8/354, 355, 363,
D8/373, 382-383, 394-396; D14/224,
D14/229, 238, 251, 253, 447, 451, 457
CPC F16M 11/06-10; F16M 11/14; G02B
7/00-002; G03B 17/56; G03B
17/561-566; H04N 5/2253-2254
See application file for complete search history.

(56) **References Cited**

U.S. PATENT DOCUMENTS

D306,690 S *	3/1990	Bison	D8/373
D571,191 S *	6/2008	Ruggiero	D8/356
D602,343 S	10/2009	Olien	
D602,344 S	10/2009	Olien	
D617,362 S *	6/2010	Olien	D16/242

D617,824 S *	6/2010	Olien	D16/242
8,109,680 B2	2/2012	Olien	
D744,321 S *	12/2015	Boynton	D8/363
9,353,907 B1 *	5/2016	Brekke	F16M 11/22
D800,824 S *	10/2017	Jacob	H04N 5/2251
			D16/245
D870,712 S *	12/2019	Yin	D14/224
D873,897 S *	1/2020	Wengreen	D16/242
D881,167 S *	4/2020	Jiao	D14/224
2005/0265711 A1	12/2005	Heibel	
2008/0107413 A1	5/2008	Moore et al.	
2009/0129769 A1	5/2009	Broberg	

* cited by examiner

Primary Examiner — Vy N Koenig

(74) *Attorney, Agent, or Firm* — The Compton Law Firm,
P.C.; Scott D. Compton

(57) **CLAIM**

The ornamental design for a T-post mount for animal feed
blocks or game cameras, as shown and described.

DESCRIPTION

FIG. 1 is a bottom perspective view of a T-post mount for
animal feed blocks or game cameras showing my new
design;

FIG. 2 is a front side view thereof;

FIG. 3 is a right side view thereof;

FIG. 4 is a back side view thereof;

FIG. 5 is a left side view thereof;

FIG. 6 is a bottom view thereof;

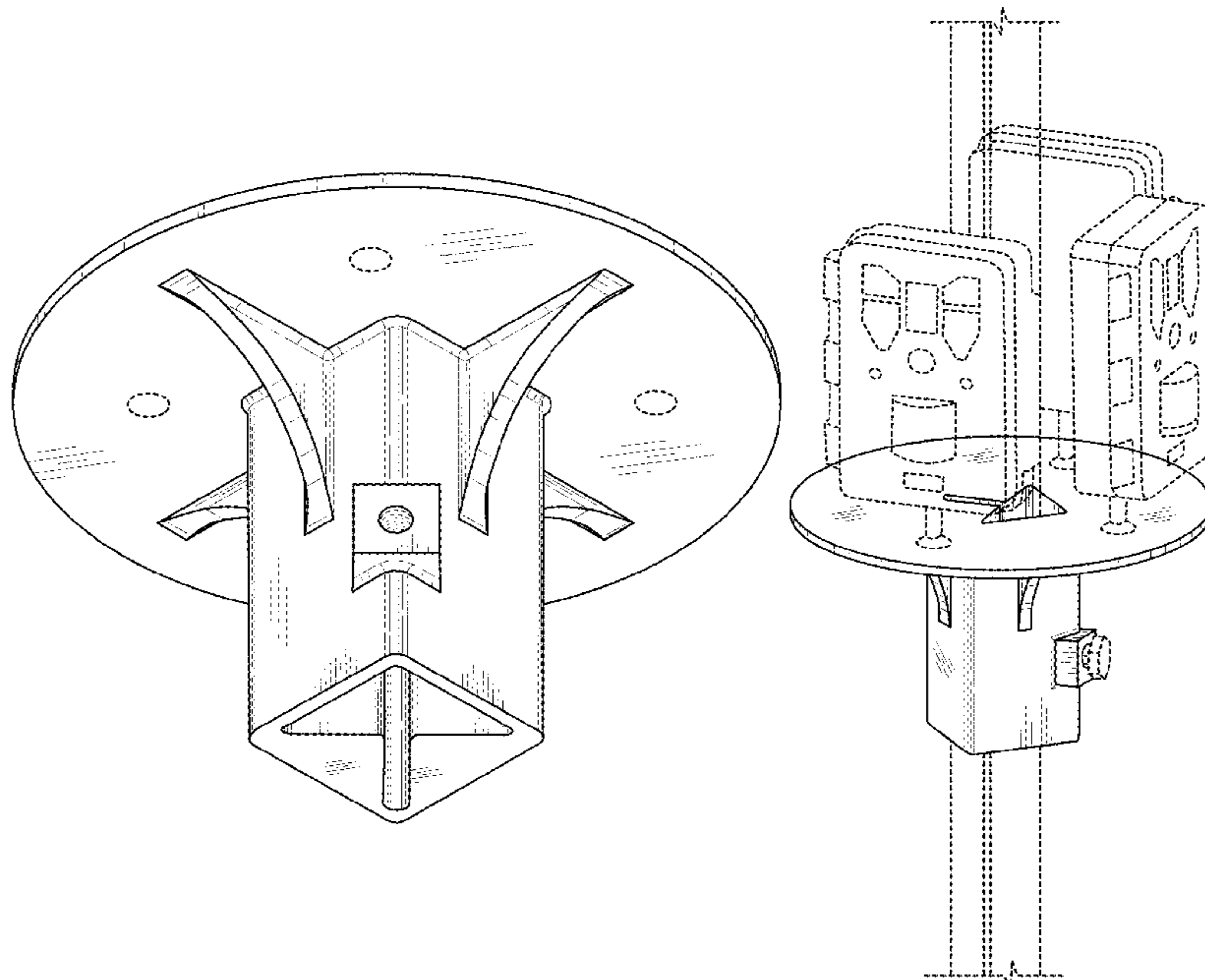
FIG. 7 is a top view thereof;

FIG. 8 is a top perspective view thereof; and,

FIG. 9 is a top perspective view thereof.

The broken lines in the drawings illustrate environmental
features that form no part of the claimed design.

1 Claim, 9 Drawing Sheets



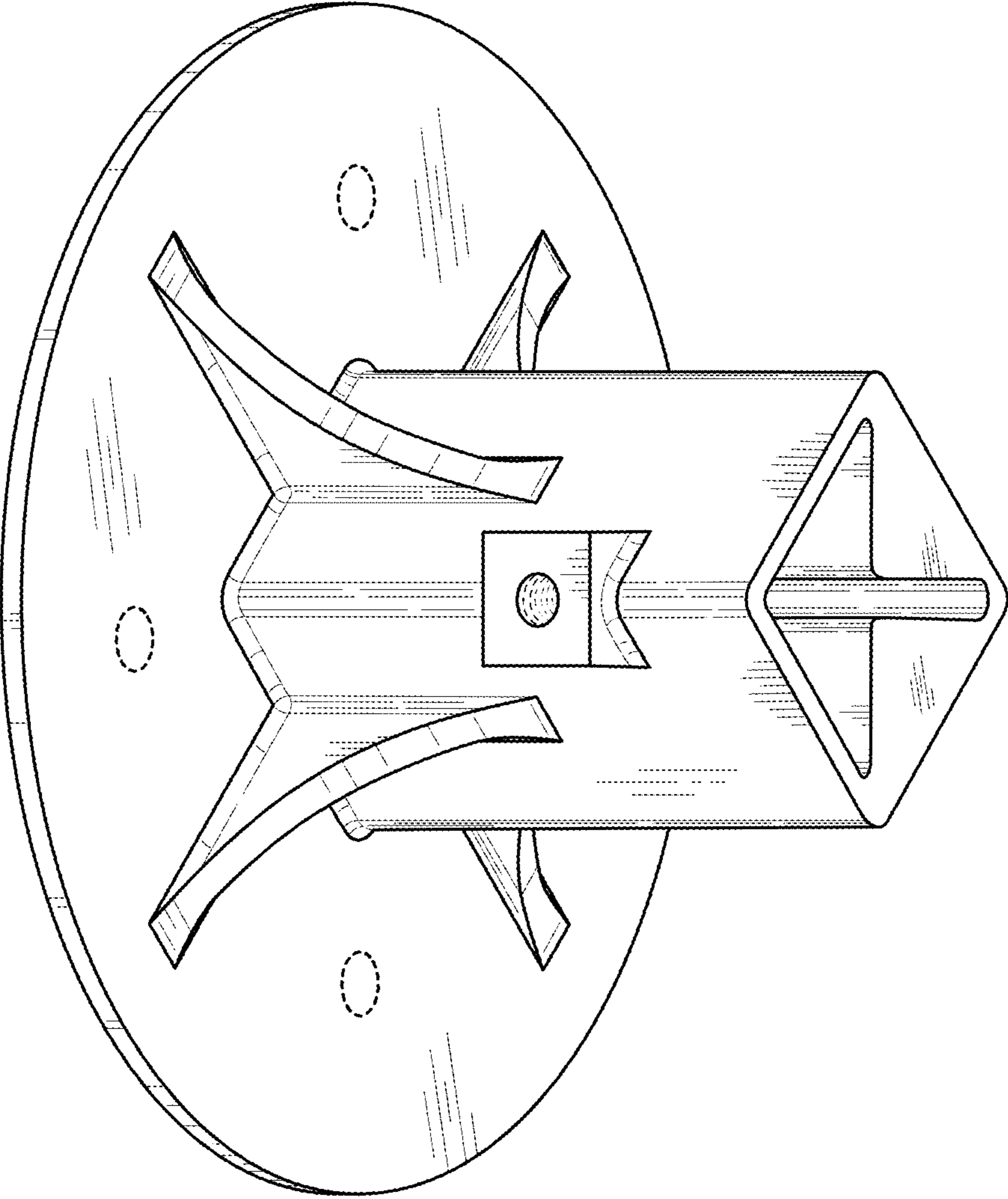


FIG. 1

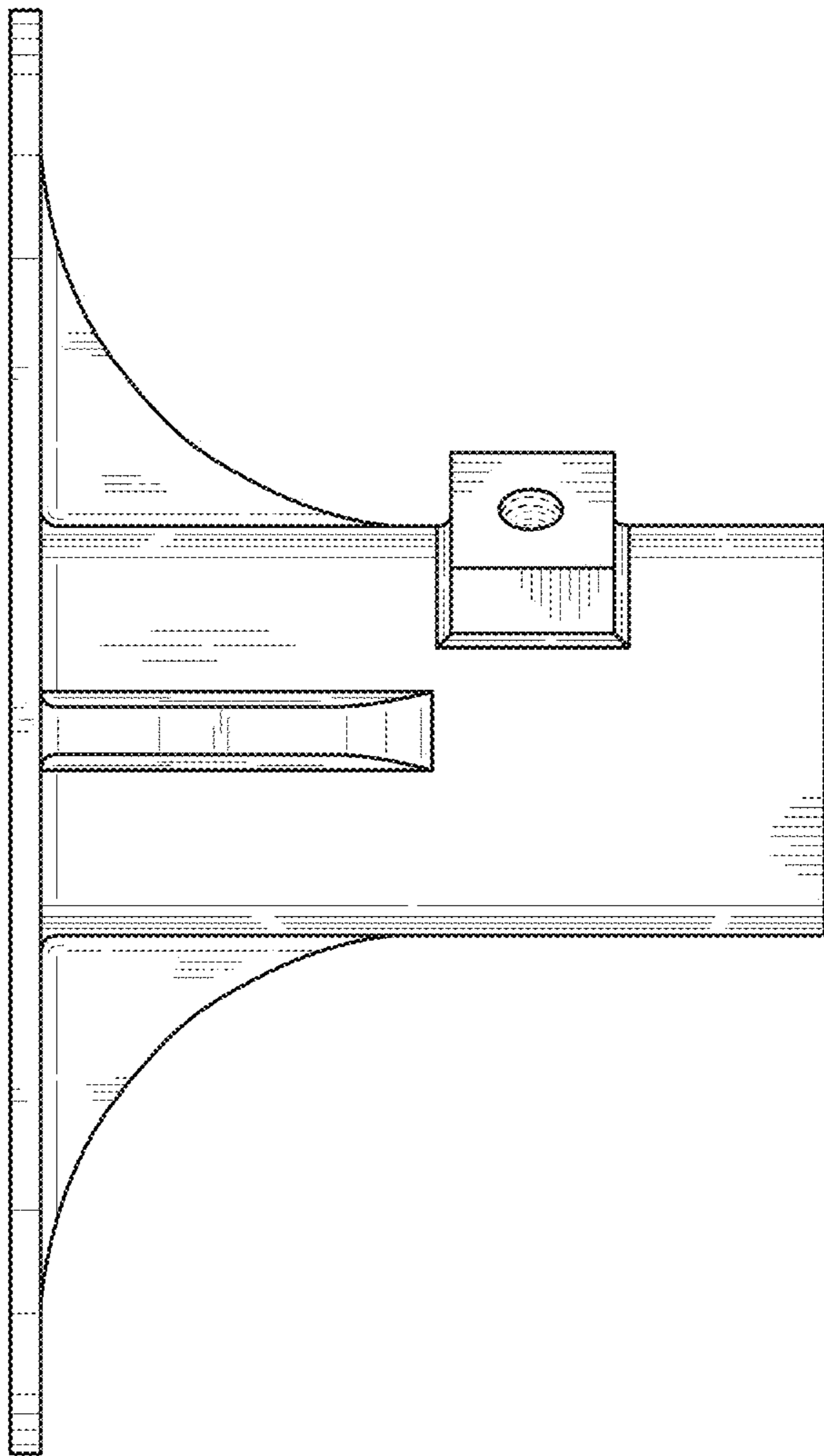


FIG. 2

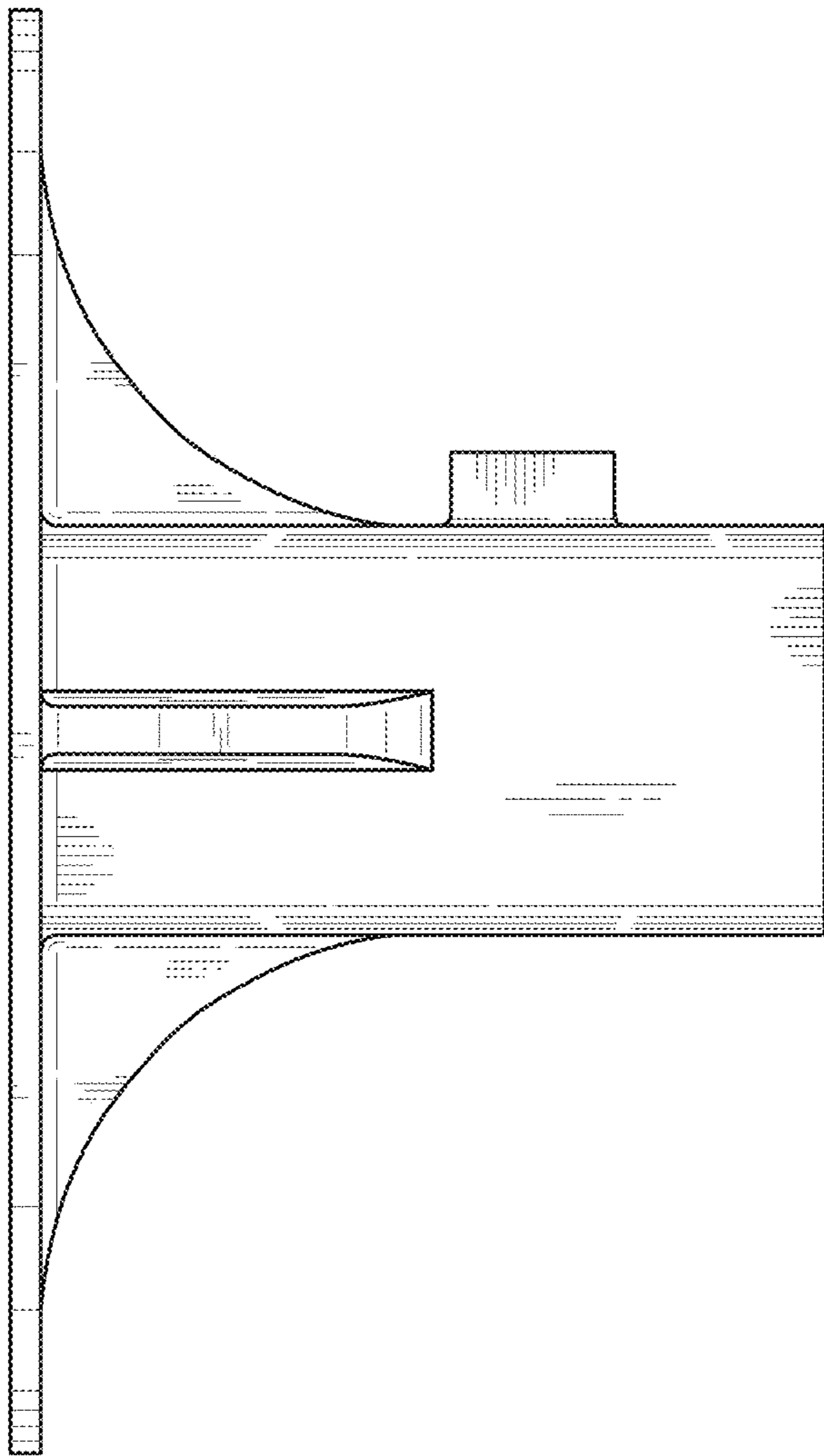


FIG. 3

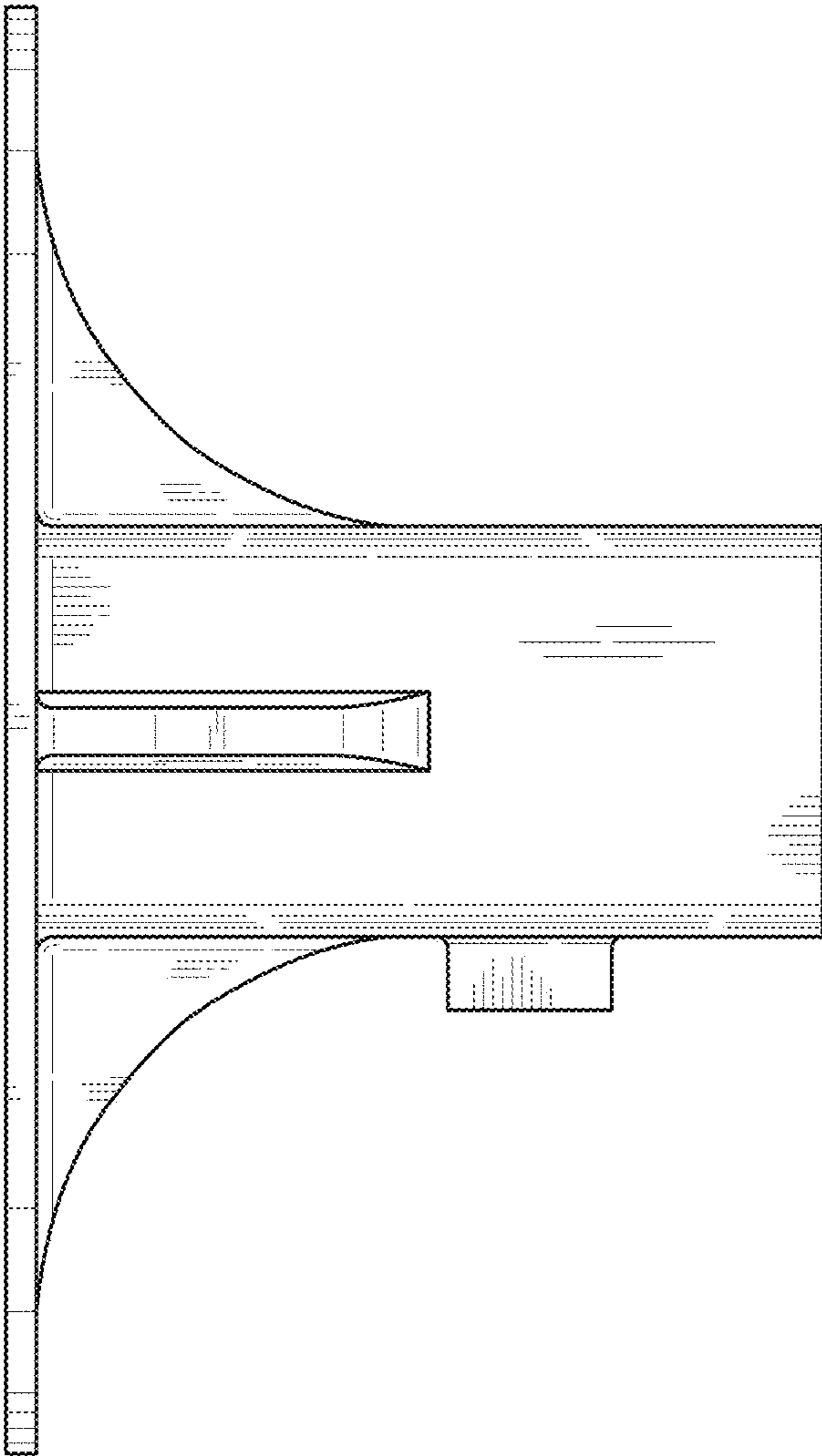


FIG. 4

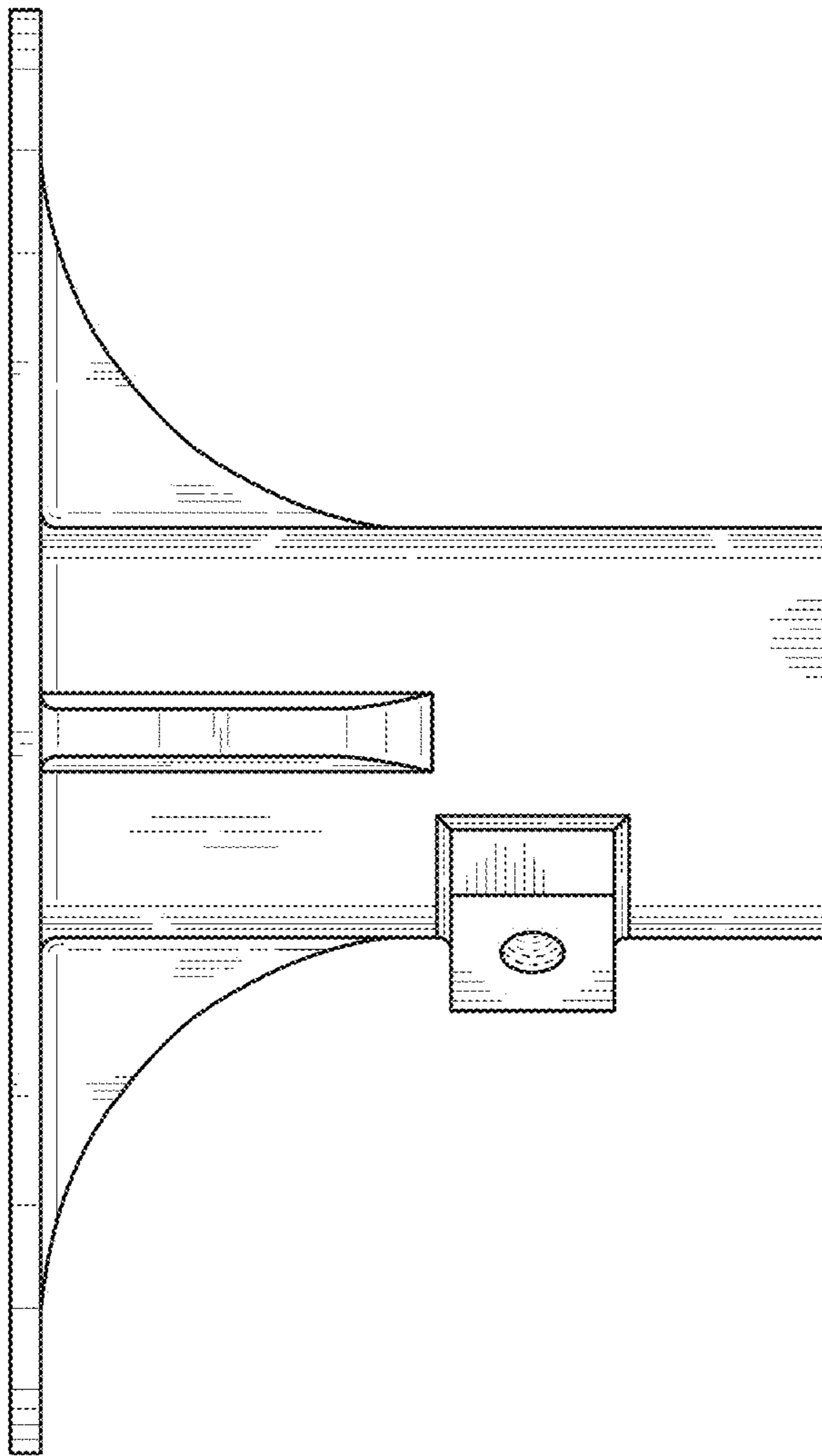


FIG. 5

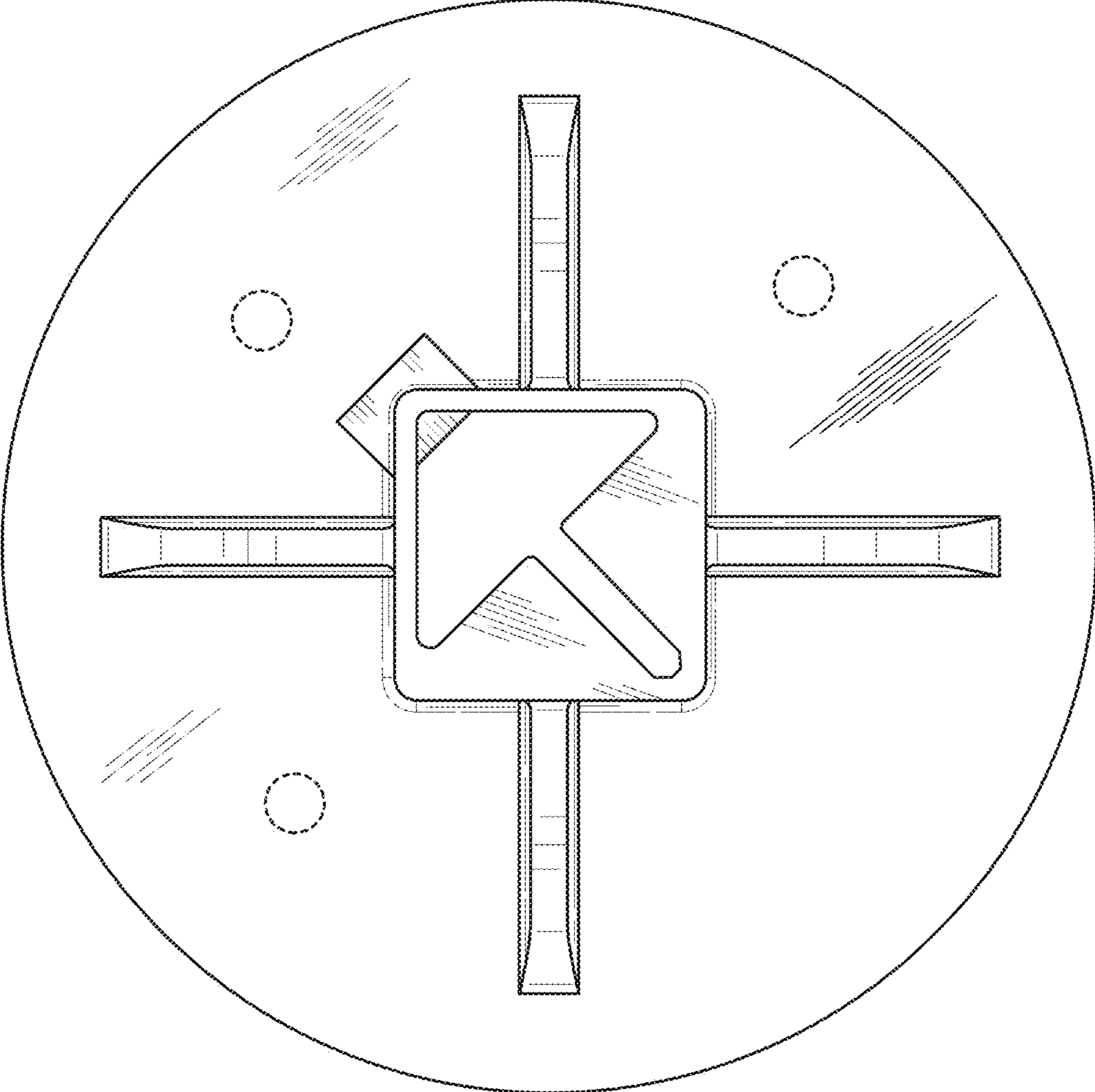


FIG. 6

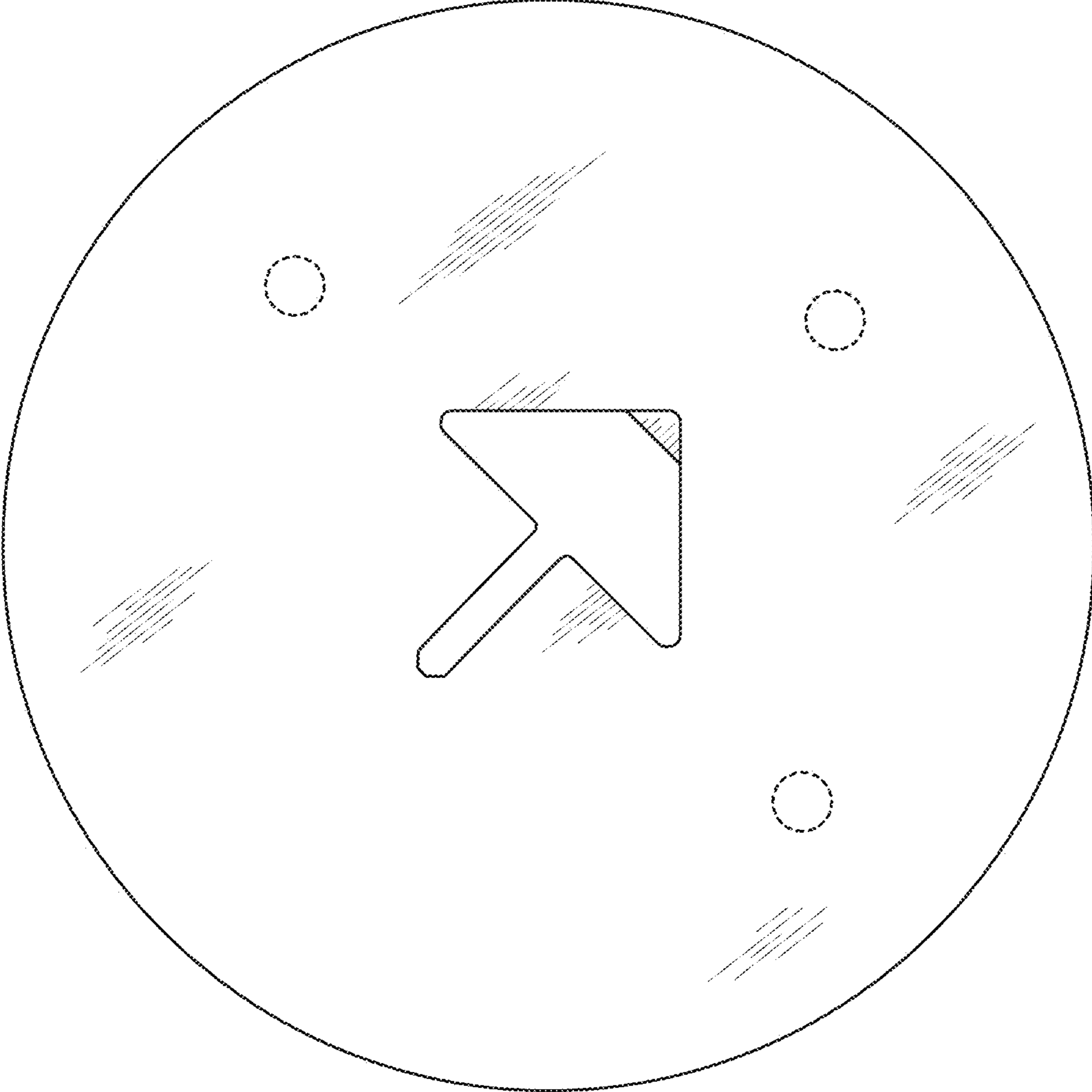


FIG. 7

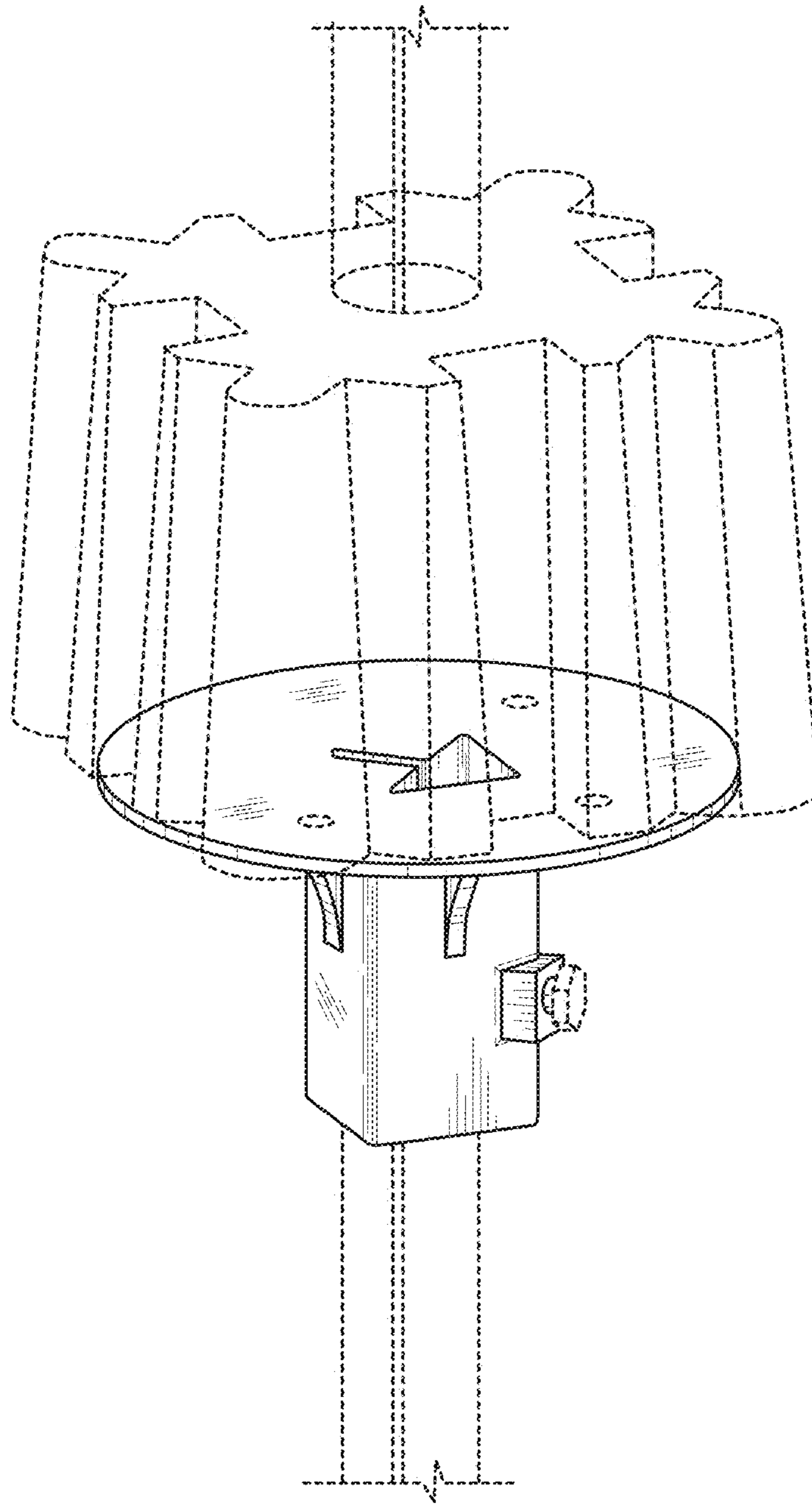


FIG. 8

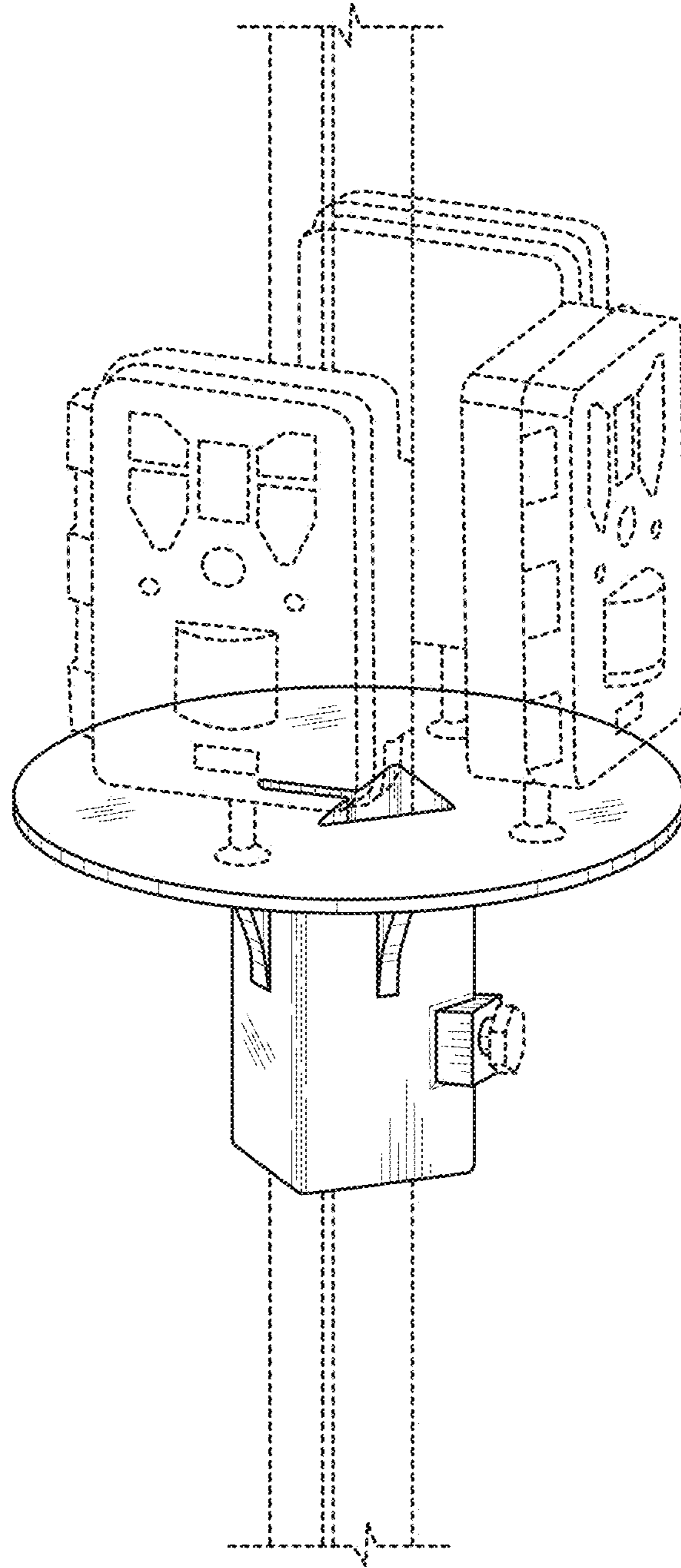


FIG. 9