



US00D900198S

(12) **United States Design Patent**
Anséhn et al.

(10) **Patent No.: US D900,198 S**

(45) **Date of Patent: ** Oct. 27, 2020**

(54) **FLASH APPARATUS FOR PHOTOGRAPHY**

(71) Applicant: **PROFOTO AKTIEBOLAG,**
Sundbyberg (SE)

(72) Inventors: **Johan Anséhn, Stockholm (SE); Emil**
Stenbacka, Stockholm (SE)

(73) Assignee: **PROFOTO AKTIEBOLAG,**
Sundbyberg (SE)

(**) Term: **15 Years**

(21) Appl. No.: **35/504,632**

(22) Filed: **Sep. 18, 2017**

(80) **Hague Agreement Data**

Int. Filing Date: **Sep. 18, 2017**

Int. Reg. No.: **DM/099153**

Int. Reg. Date: **Sep. 18, 2017**

Int. Reg. Pub. Date: **Mar. 23, 2018**

(51) **LOC (12) Cl. 16-05**

(52) **U.S. Cl.**

USPC **D16/239**

(58) **Field of Classification Search**

USPC D16/134, 136, 200, 204, 208, 213-219,
D16/235, 237-250

CPC G02B 7/04

See application file for complete search history.

(56) **References Cited**

U.S. PATENT DOCUMENTS

D342,753 S * 12/1993 Haga D16/239

5,794,082 A * 8/1998 Matsui G03B 15/05
396/171

D453,351 S *	2/2002	Kitera	D16/239
D571,842 S *	6/2008	Kinemura	D16/202
D571,846 S *	6/2008	Yoshii	D16/202
D577,048 S *	9/2008	Kinemura	D16/202
D579,967 S *	11/2008	Jones	D16/202
D598,943 S *	8/2009	Kinemura	D16/202
D609,728 S *	2/2010	Tashima	D16/202
D701,553 S *	3/2014	Sanhui	D16/239
D718,363 S *	11/2014	Yamauchi	D16/239
D721,753 S *	1/2015	Park	D16/202
D819,115 S *	5/2018	Nohara	D16/239

* cited by examiner

Primary Examiner — Holly E Thurman

(74) *Attorney, Agent, or Firm* — Cowan, Liebowitz &
Latman, P.C.; Anastasia Zhadina

(57) **CLAIM**

The ornamental design for a flash apparatus for photography,
as shown and described.

DESCRIPTION

2. Flash apparatus for photography

2.1 : Front

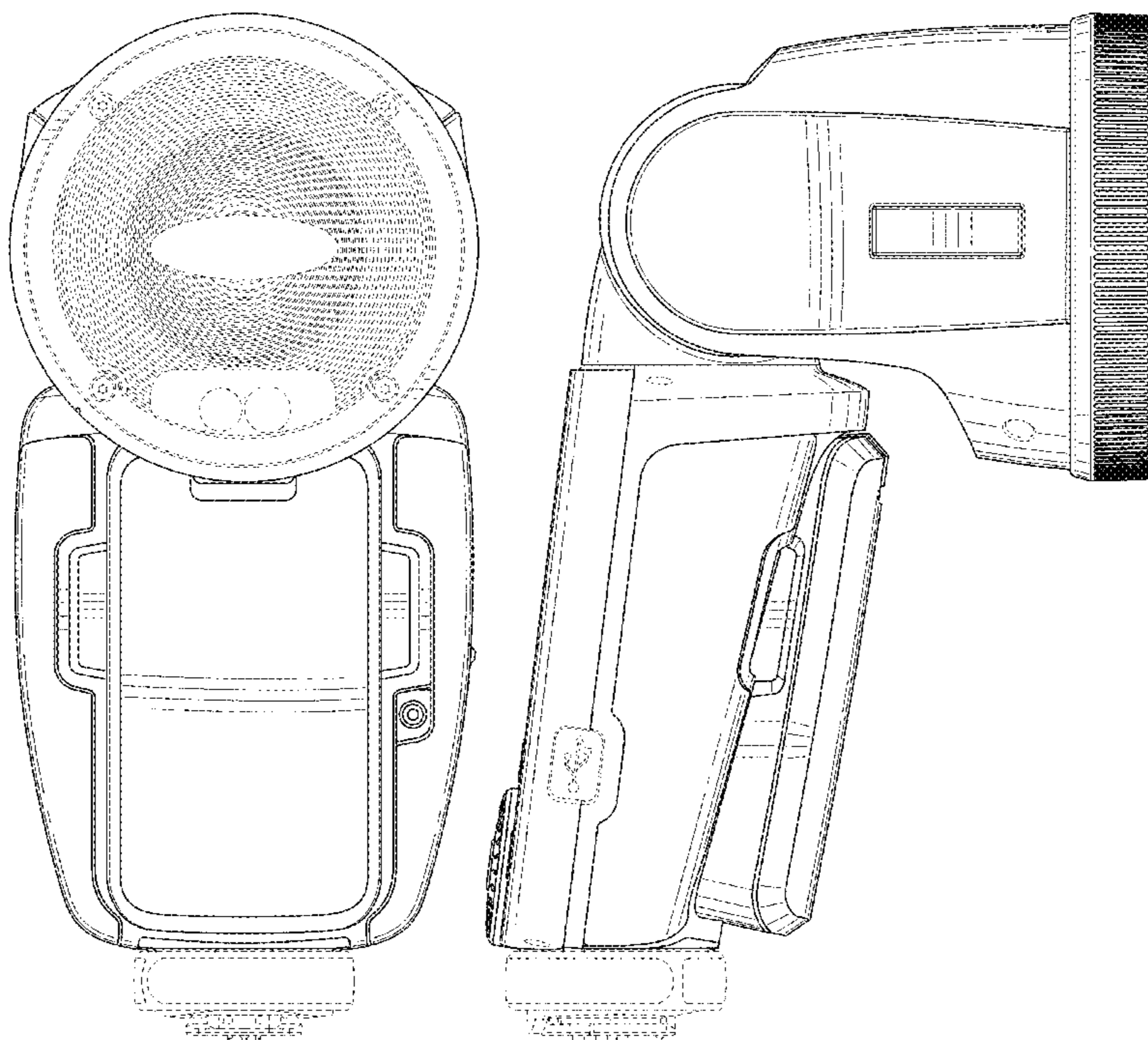
2.2 : Left

2.3 : Right

2.4 : Bottom

The portions of the flash apparatus for photography shown
in broken lines form no part of the claimed design.

1 Claim, 4 Drawing Sheets



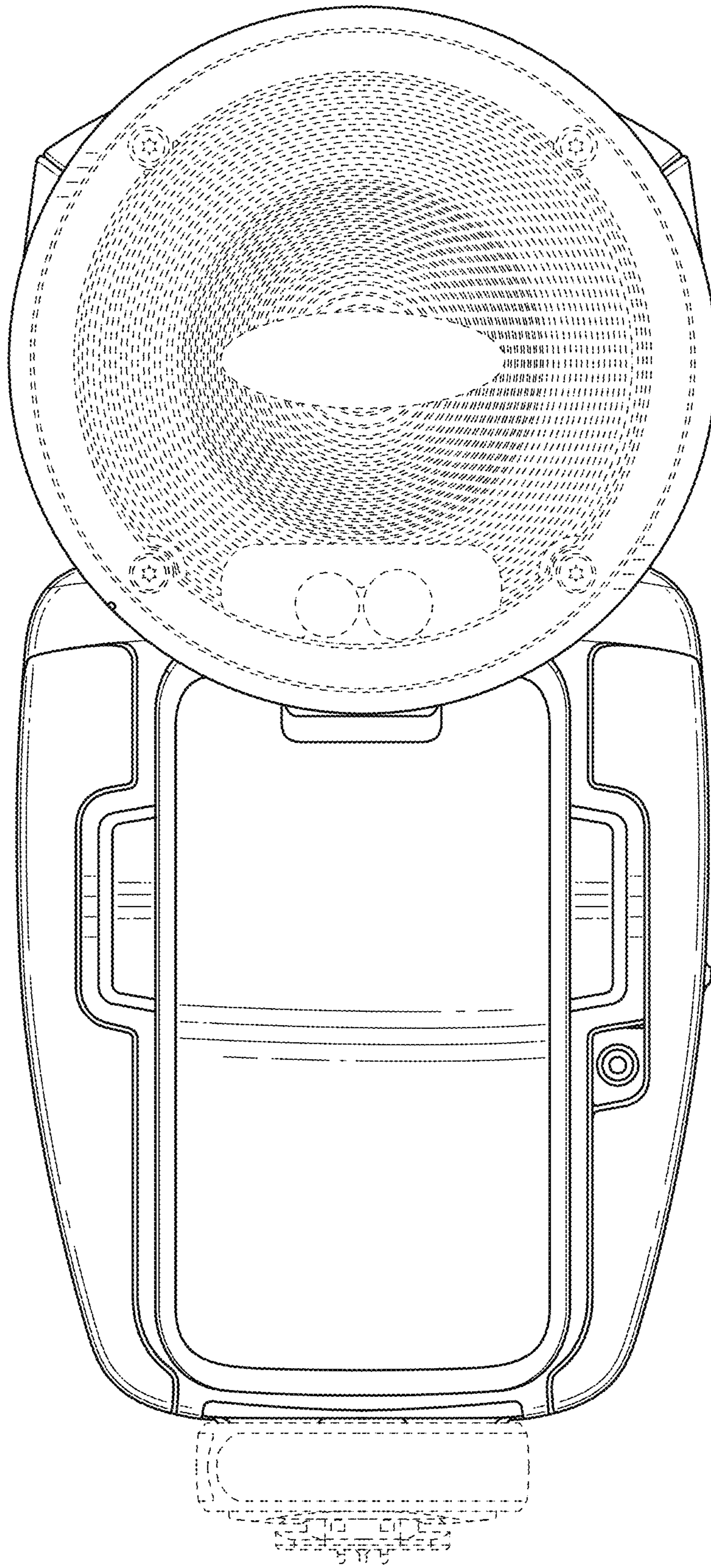


FIG. 2.1

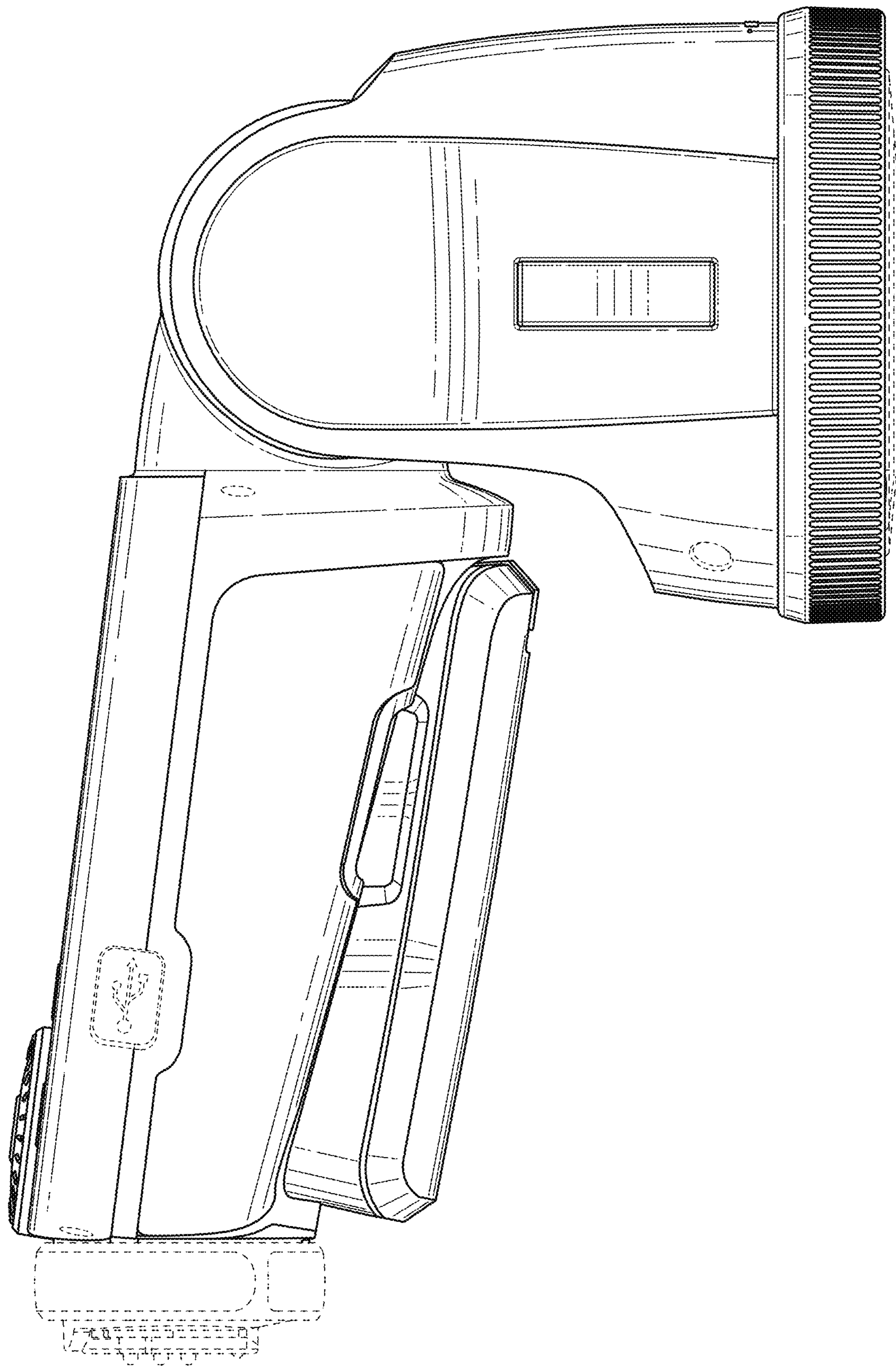


FIG. 2.2

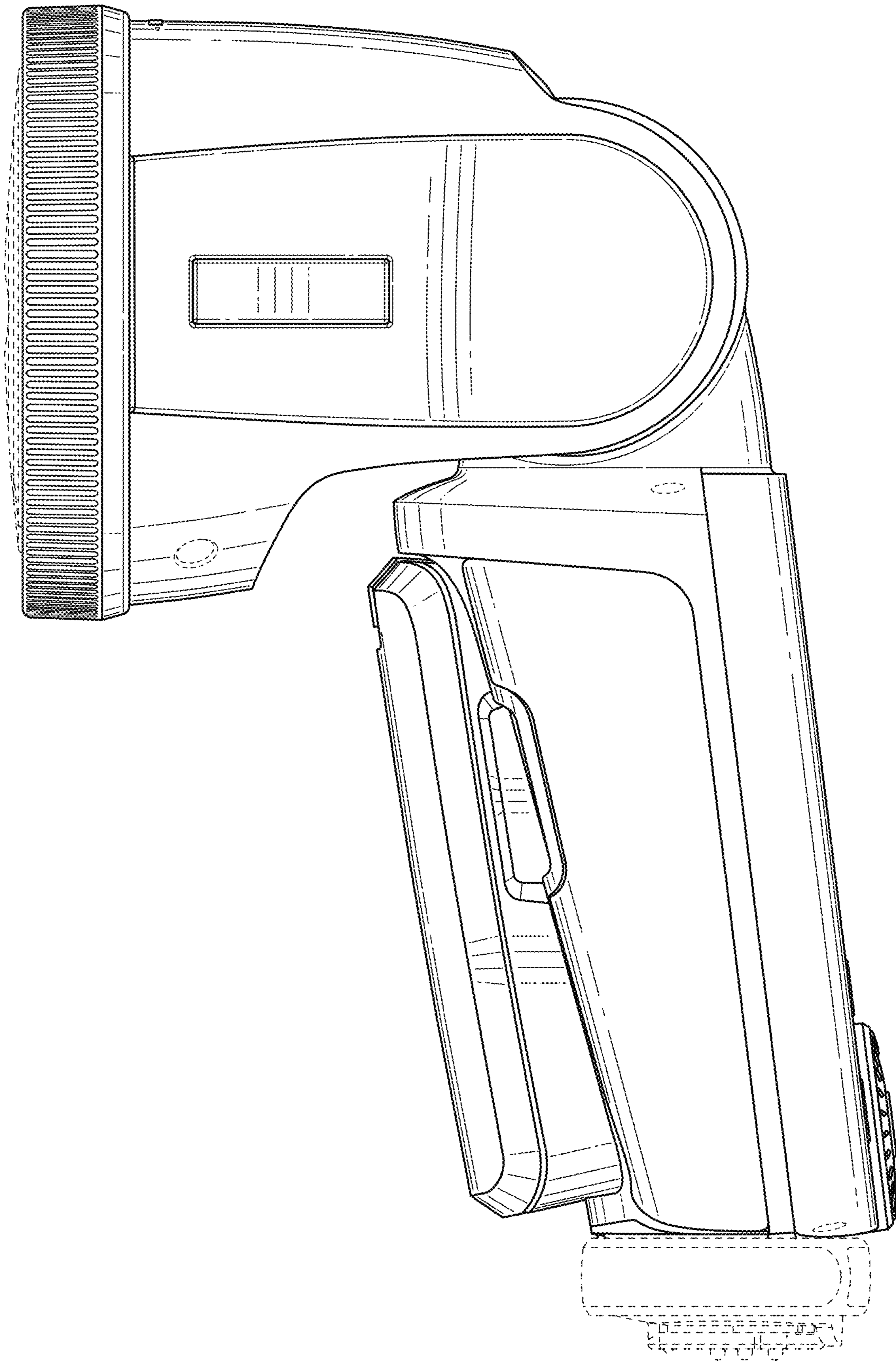


FIG. 2.3

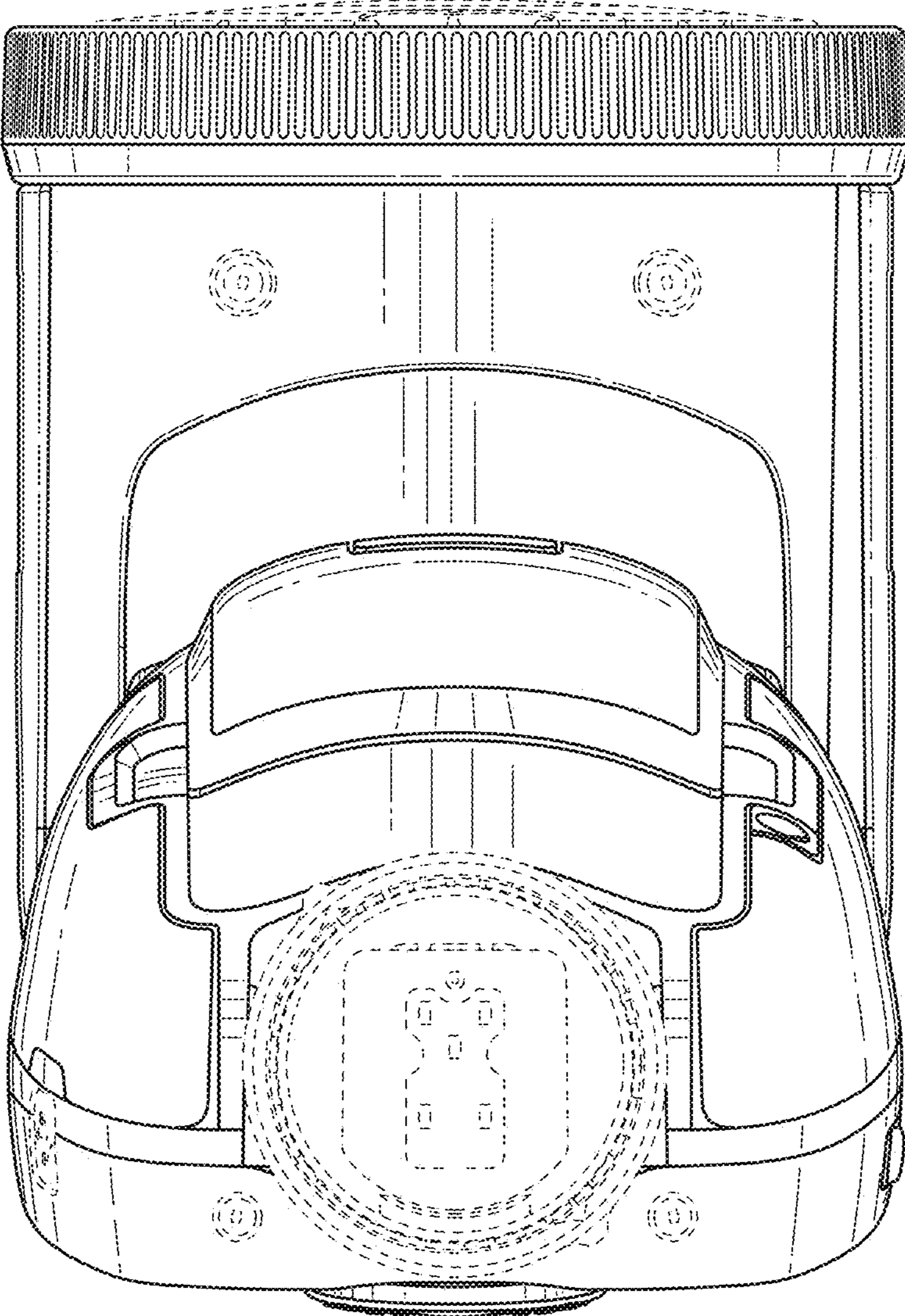


FIG. 2.4