



US00D900191S

(12) **United States Design Patent** (10) **Patent No.:** **US D900,191 S**
Vozzi et al. (45) **Date of Patent:** **** Oct. 27, 2020**

(54) **CAMERA**

(71) Applicant: **Axis AB**, Lund (SE)

(72) Inventors: **Mariano Vozzi**, Lund (SE); **Stefan Möller**, Lund (SE); **Jonas Sjögren**, Lund (SE); **Mathias Walter**, Lund (SE); **Karl Andersson**, Lund (SE)

(73) Assignee: **AXIS AB**, Lund (SE)

(**) Term: **15 Years**

(21) Appl. No.: **29/739,476**

(22) Filed: **Jun. 25, 2020**

Related U.S. Application Data

(62) Division of application No. 29/696,104, filed on Jun. 25, 2019.

(30) **Foreign Application Priority Data**

Jan. 15, 2019 (EM) 006023545

(51) **LOC (12) Cl.** **16-01**

(52) **U.S. Cl.**
USPC **D16/203**

(58) **Field of Classification Search**

USPC D16/200, 202–208, 218, 219, 242;
348/143, 148, 151, 373–376; 396/419,
396/427, 535, 539–541; 248/176.1, 187.1
CPC G03B 17/02; G03B 19/04; G03B 17/56;
G03B 17/04; G03B 15/03; H04N 5/2251;
H04N 5/2252; H04N 5/2253; H04N
5/2254; H04N 7/181; H04N 7/183; H04N
7/18

See application file for complete search history.

(56) **References Cited**

U.S. PATENT DOCUMENTS

D607,033 S 12/2009 Arbuckle et al.
7,762,731 B2 * 7/2010 Arbuckle G08B 13/19619
396/427

D638,871 S 5/2011 Bergstrom et al.
D642,607 S 8/2011 Bergstrom et al.
D643,454 S 8/2011 Zaliauskas et al.
D684,619 S 6/2013 Chapple et al.
D741,933 S * 10/2015 Bergstrom D16/203
D748,710 S 2/2016 Bergstrom et al.
D812,670 S 3/2018 Andersson et al.
D826,305 S 8/2018 Ahman et al.

(Continued)

FOREIGN PATENT DOCUMENTS

EM 001173686 10/2009
EM 002344721 11/2013

(Continued)

OTHER PUBLICATIONS

Taiwanese Search Report for corresponding Taiwanese Design Patent Application No. 108304153. Search completed on Feb. 4, 2020, 4 pages.

Primary Examiner — Ramzi S Almatrahi

(74) *Attorney, Agent, or Firm* — Tucker Ellis LLP

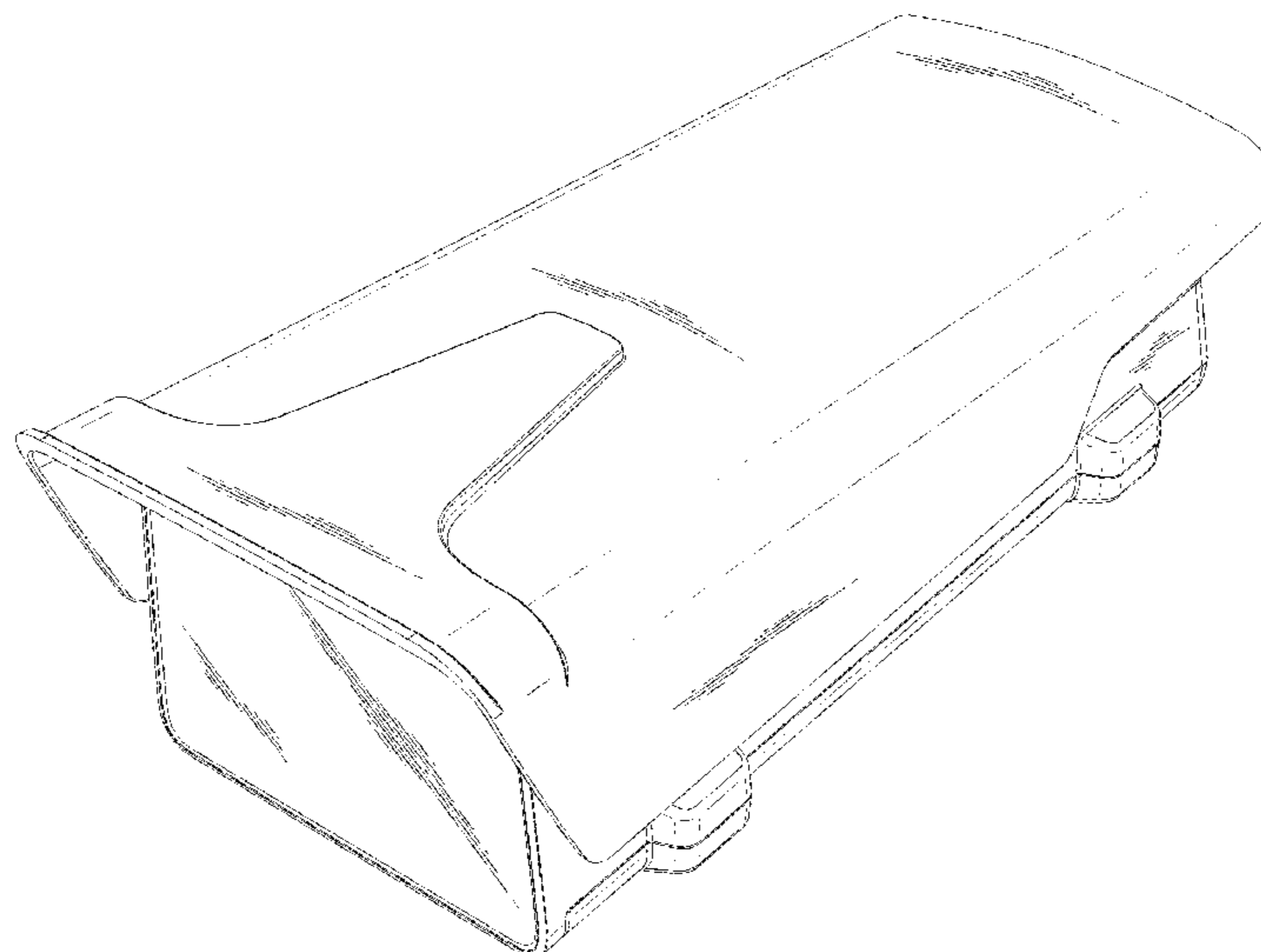
(57) **CLAIM**

The ornamental design for a camera, as shown and described.

DESCRIPTION

FIG. 1 is a top, front and left side perspective view of a camera showing our new design;
FIG. 2 is a front view thereof;
FIG. 3 is a rear view thereof;
FIG. 4 is a left side view thereof;
FIG. 5 is a right side view thereof;
FIG. 6 is a top plan view thereof; and,
FIG. 7 is a bottom plan view thereof.
The broken lines in the drawings illustrate portions of the camera that form no part of the claimed design.

1 Claim, 4 Drawing Sheets



(56)

References Cited

U.S. PATENT DOCUMENTS

D827,013	S	8/2018	Ahman et al.	
D832,330	S	10/2018	Ahman et al.	
D834,632	S *	11/2018	Ahman	D16/203
D835,697	S	12/2018	Andersson et al.	
D836,149	S	12/2018	Ahman et al.	
D848,505	S	5/2019	Bull et al.	
D849,097	S *	5/2019	Bull	D16/203
D875,152	S *	2/2020	McCormack	D16/200
D876,510	S *	2/2020	Garre	D16/203
D876,513	S *	2/2020	Garre	D16/203
D876,516	S *	2/2020	Garre	D16/203
D885,458	S *	5/2020	Vozzi	D16/203
D885,466	S *	5/2020	Vozzi	D16/219

FOREIGN PATENT DOCUMENTS

EM	003050210	3/2016
EM	005255577	5/2018
TW	181783 D	3/2017
TW	187033 D	12/2017

* cited by examiner

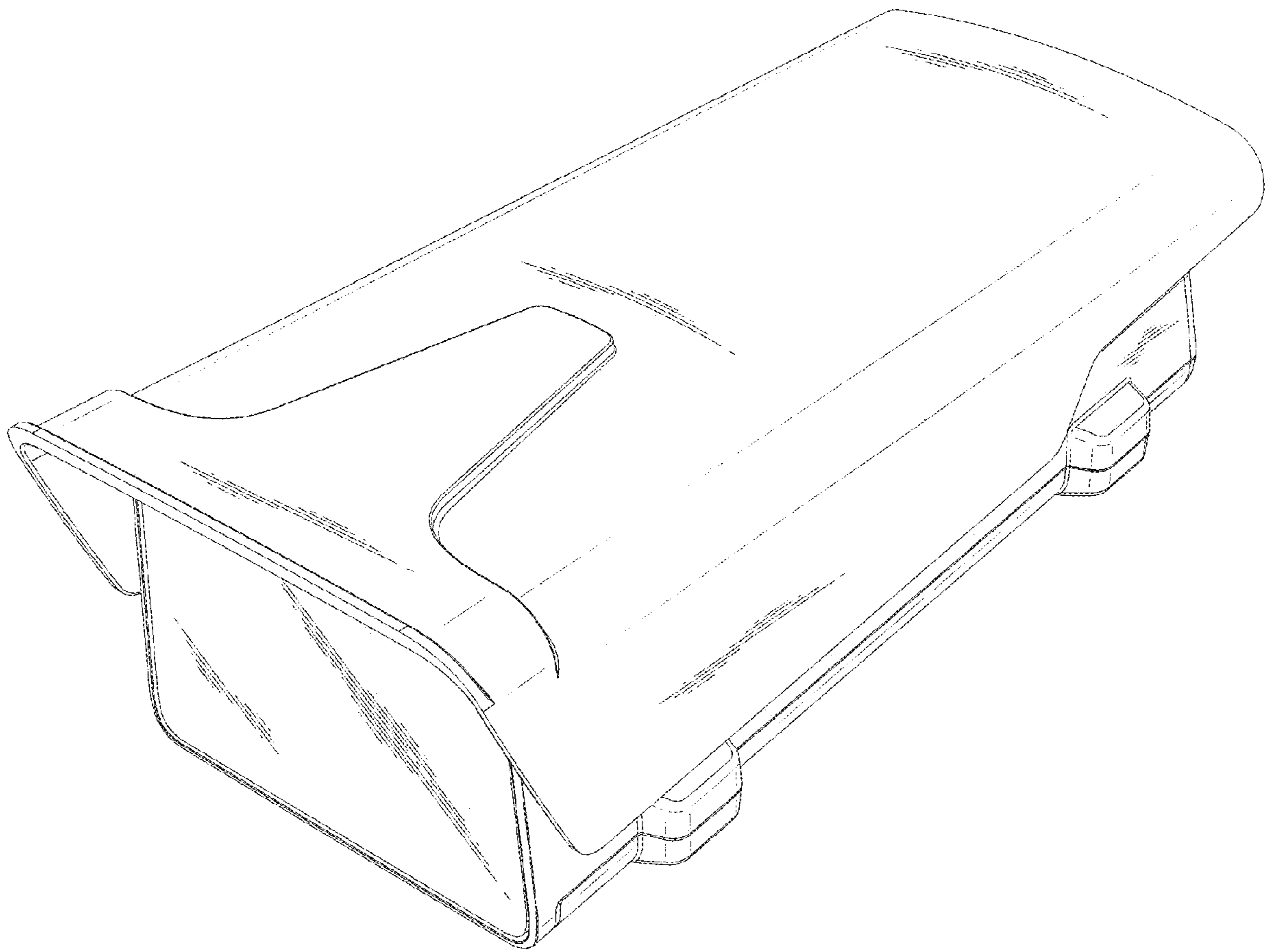


FIG. 1

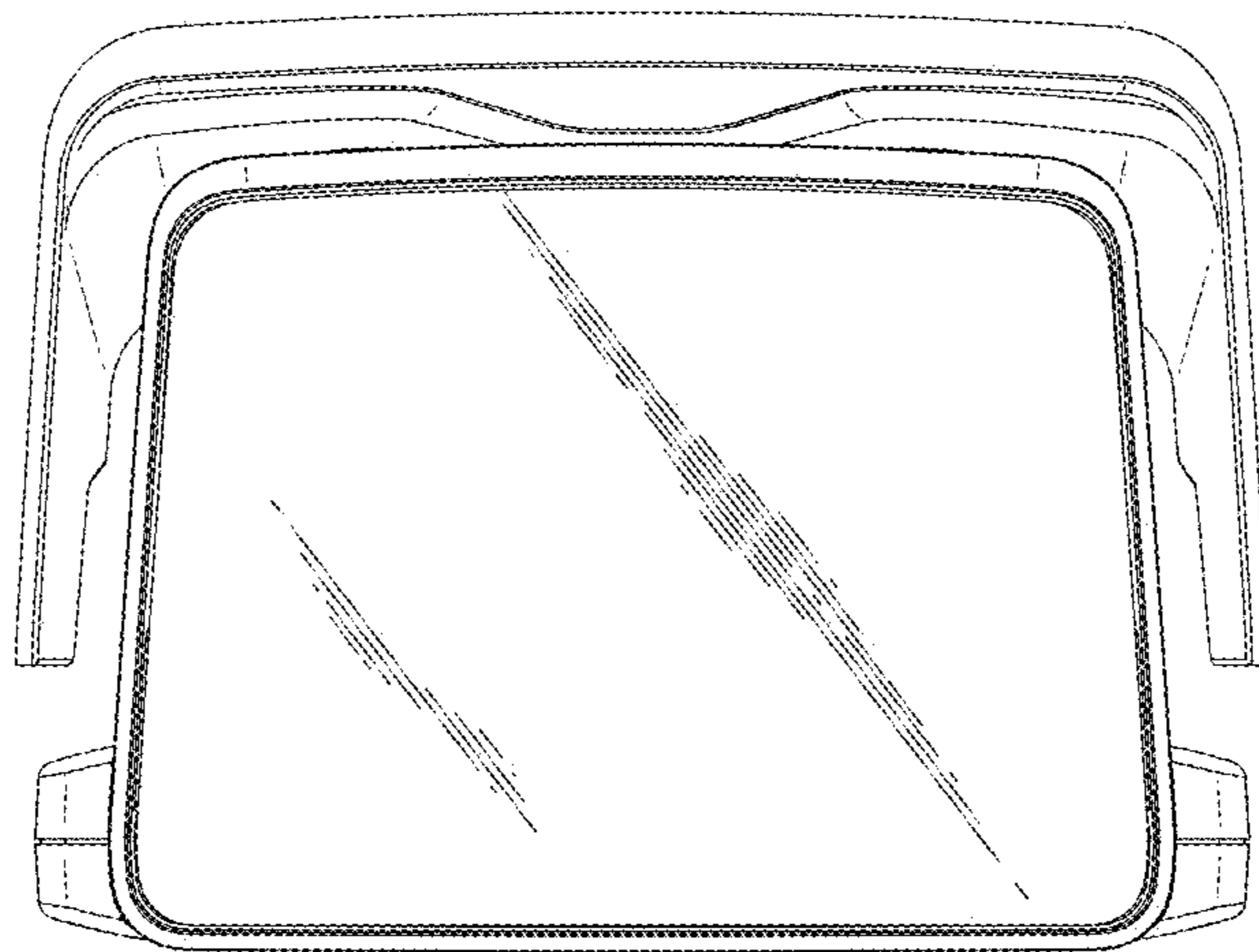


FIG. 2

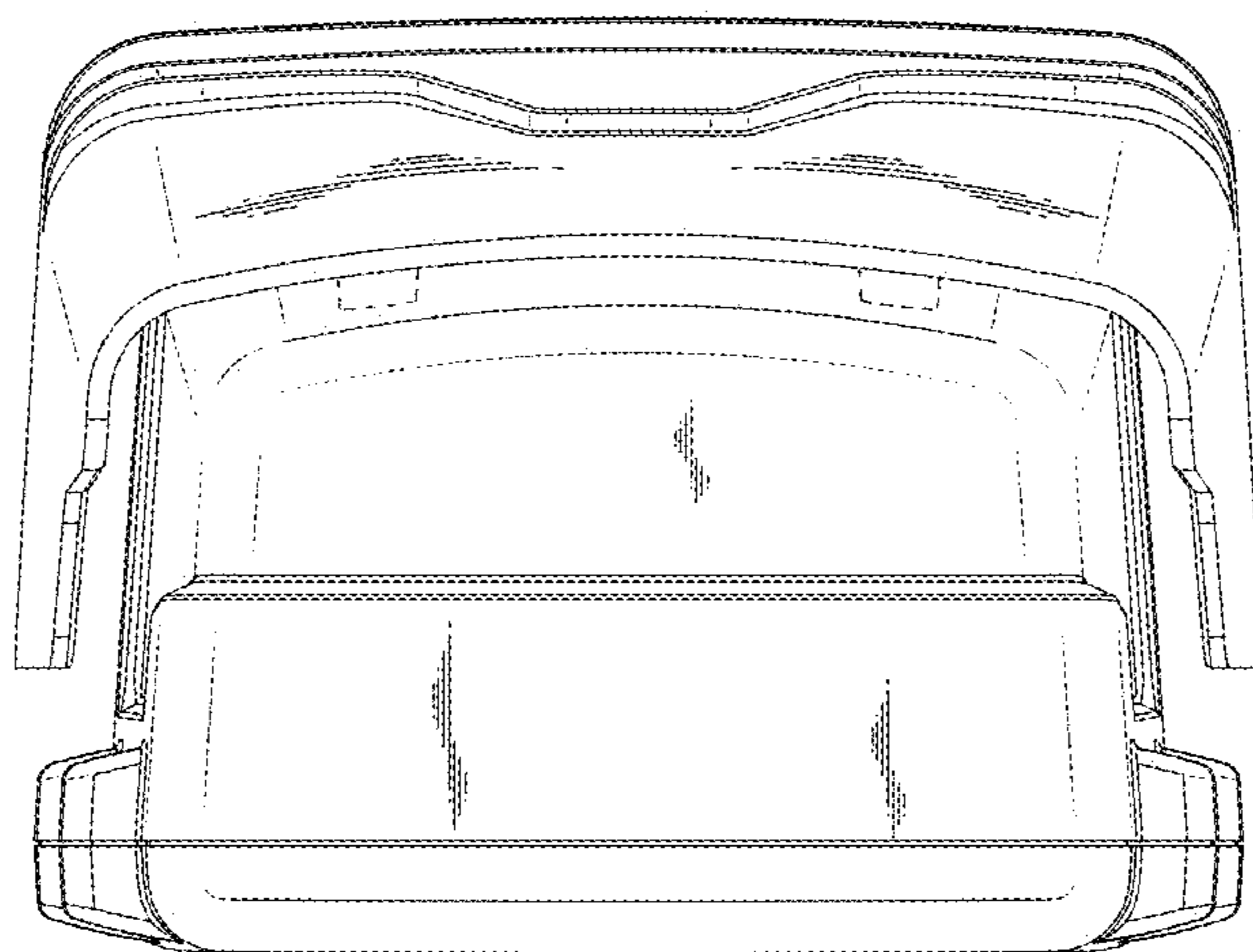


FIG. 3

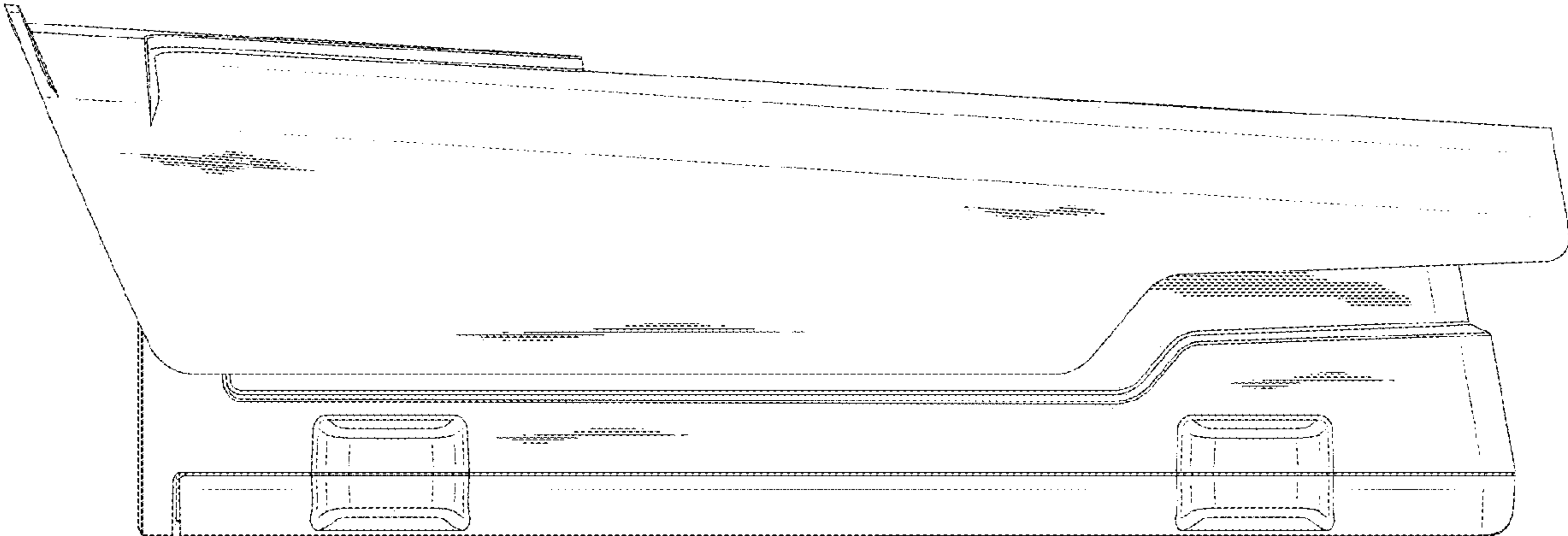


FIG. 4

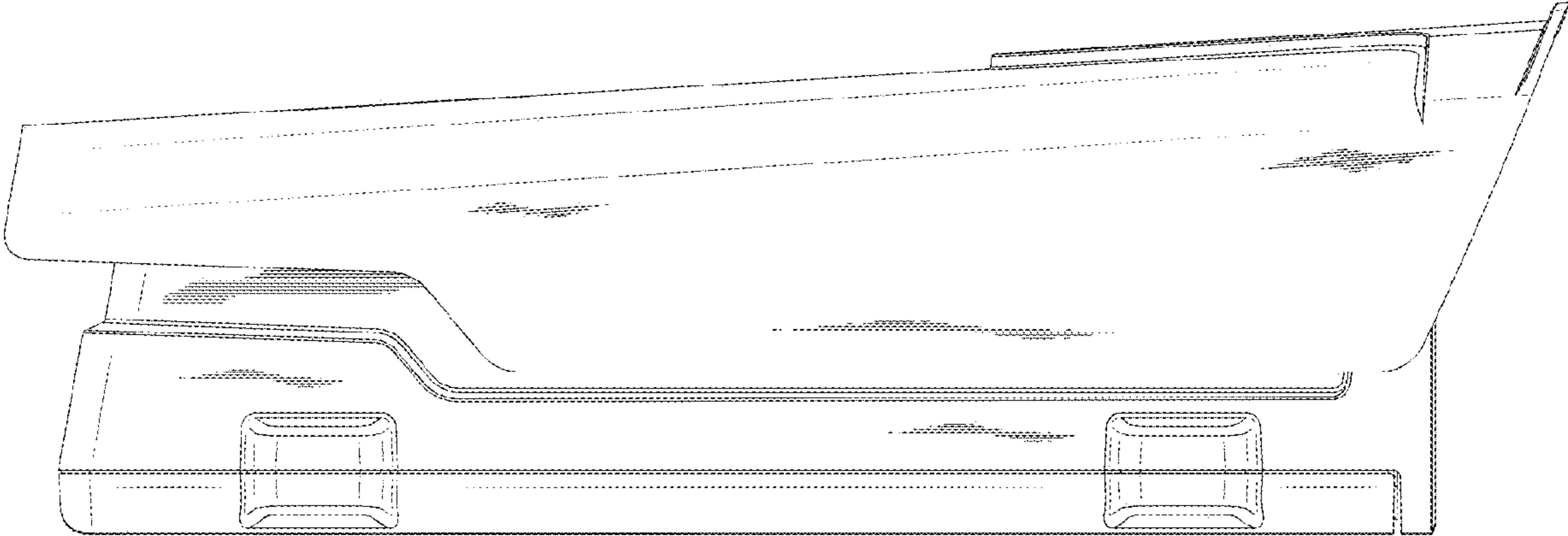


FIG. 5

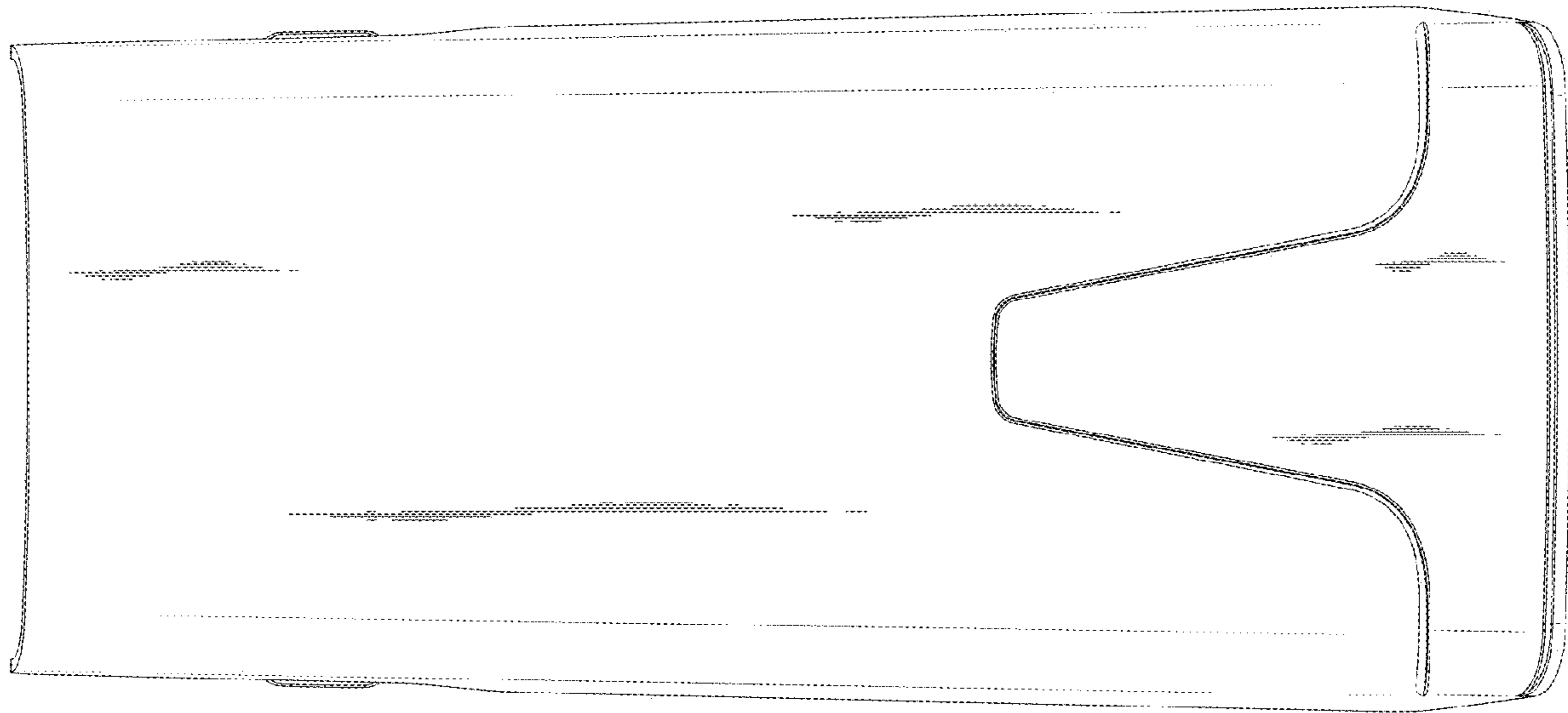


FIG. 6

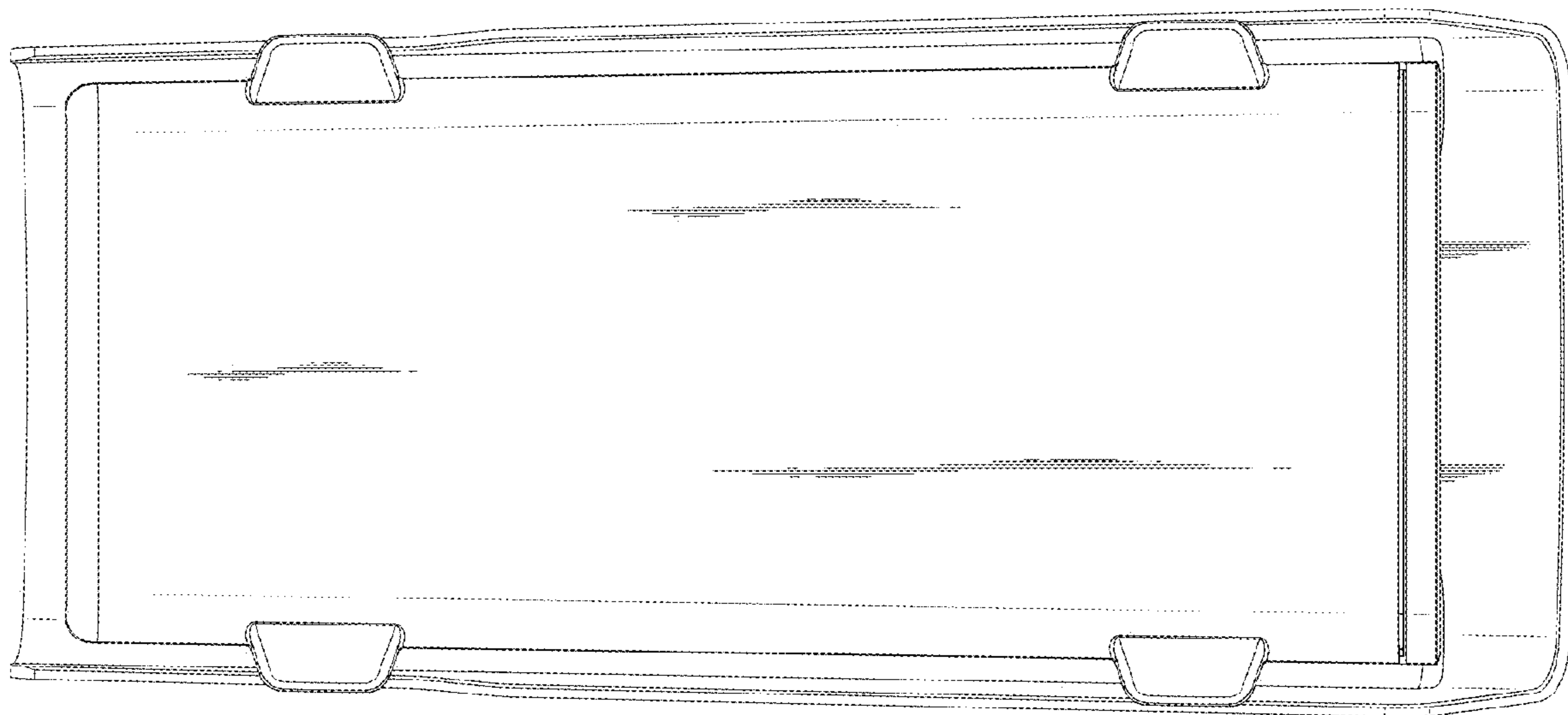


FIG. 7