



US00D900190S

(12) **United States Design Patent** (10) **Patent No.:** **US D900,190 S**
Park (45) **Date of Patent:** **** Oct. 27, 2020**

(54) **SURVEILLANCE CAMERA**
(71) Applicant: **Hanwha Techwin Co., Ltd.**,
Seongnam-si (KR)
(72) Inventor: **Ho Jin Park**, Changwon-si (KR)
(73) Assignee: **HANWHA TECHWIN CO., LTD.**,
Seongnam-si (KR)

D634,345 S * 3/2011 Kim D16/203
D634,347 S * 3/2011 Park D16/203
D637,640 S * 5/2011 Park D16/203
D643,453 S * 8/2011 Ham D16/203
D652,440 S * 1/2012 Davidson D16/203
D691,187 S * 10/2013 Seo D16/203
D702,274 S * 4/2014 Qian D16/203
D721,756 S * 1/2015 Hallstrom D16/203
D723,603 S * 3/2015 Hess, Jr.
D731,574 S * 6/2015 Hallstrom D16/203

(**) Term: **15 Years**

FOREIGN PATENT DOCUMENTS

(21) Appl. No.: **29/641,554**

KR 30-0676480 1/2013
KR 30-0710140 9/2013

(22) Filed: **Mar. 22, 2018**

* cited by examiner

(51) **LOC (12) Cl.** **16-01**

Primary Examiner — Ramzi S Almatrahi

(52) **U.S. Cl.**
USPC **D16/203**

(74) *Attorney, Agent, or Firm* — H.C. Park & Associates,
PLC

(58) **Field of Classification Search**
USPC D16/200, 202–208, 218, 219, 242;
348/143, 148, 151, 164, 373–376;
396/419, 427, 535, 539–541
CPC G03B 17/02; G03B 19/04; G03B 17/56;
G03B 17/04; G03B 15/03; H04N 5/2251;
H04N 5/2252; H04N 5/2253; H04N
5/2254; H04N 7/181; H04N 7/183; H04N
7/18; G08B 13/1963; G08B 13/19619;
G08B 13/19632; F16M 11/04; F16M
13/00

(57) **CLAIM**

The ornamental design for a surveillance camera, as shown
and described.

See application file for complete search history.

DESCRIPTION

FIG. 1 is a front perspective view of a surveillance camera;
FIG. 2 is a front elevational view thereof;
FIG. 3 is a rear elevational view thereof;
FIG. 4 is a left side elevational view thereof;
FIG. 5 is a right side elevational view thereof;
FIG. 6 is a top plan view thereof; and,
FIG. 7 is a bottom plan view thereof.

The broken lines depict portions of the surveillance camera
in which the design is embodied that form no part of the
claimed design.

(56) **References Cited**

U.S. PATENT DOCUMENTS

D481,407 S 10/2003 Alessio
D509,234 S * 9/2005 Muto D16/203
D514,150 S * 1/2006 Muto D16/203
D585,926 S * 2/2009 Su D16/203

1 Claim, 5 Drawing Sheets

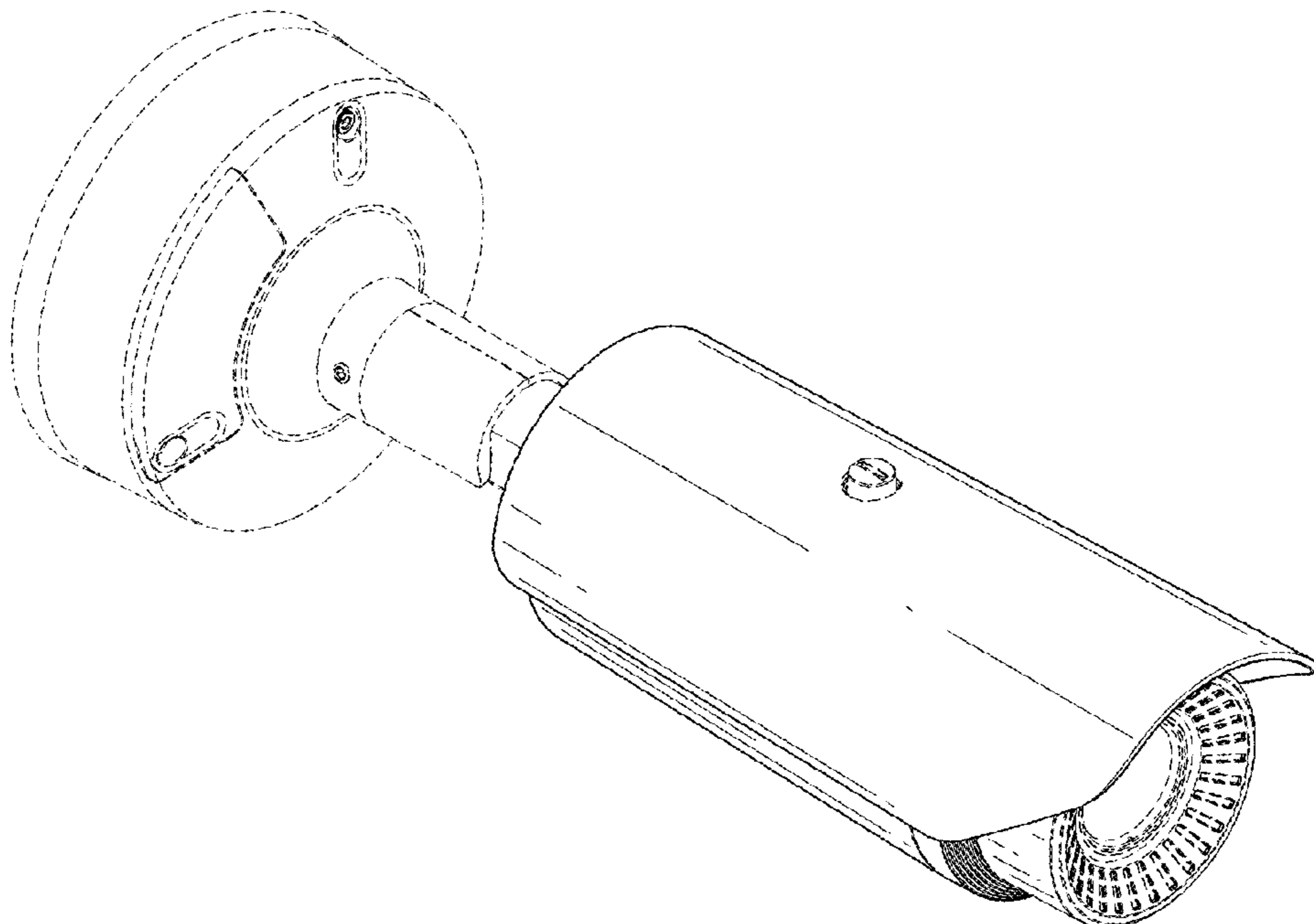


FIG. 1

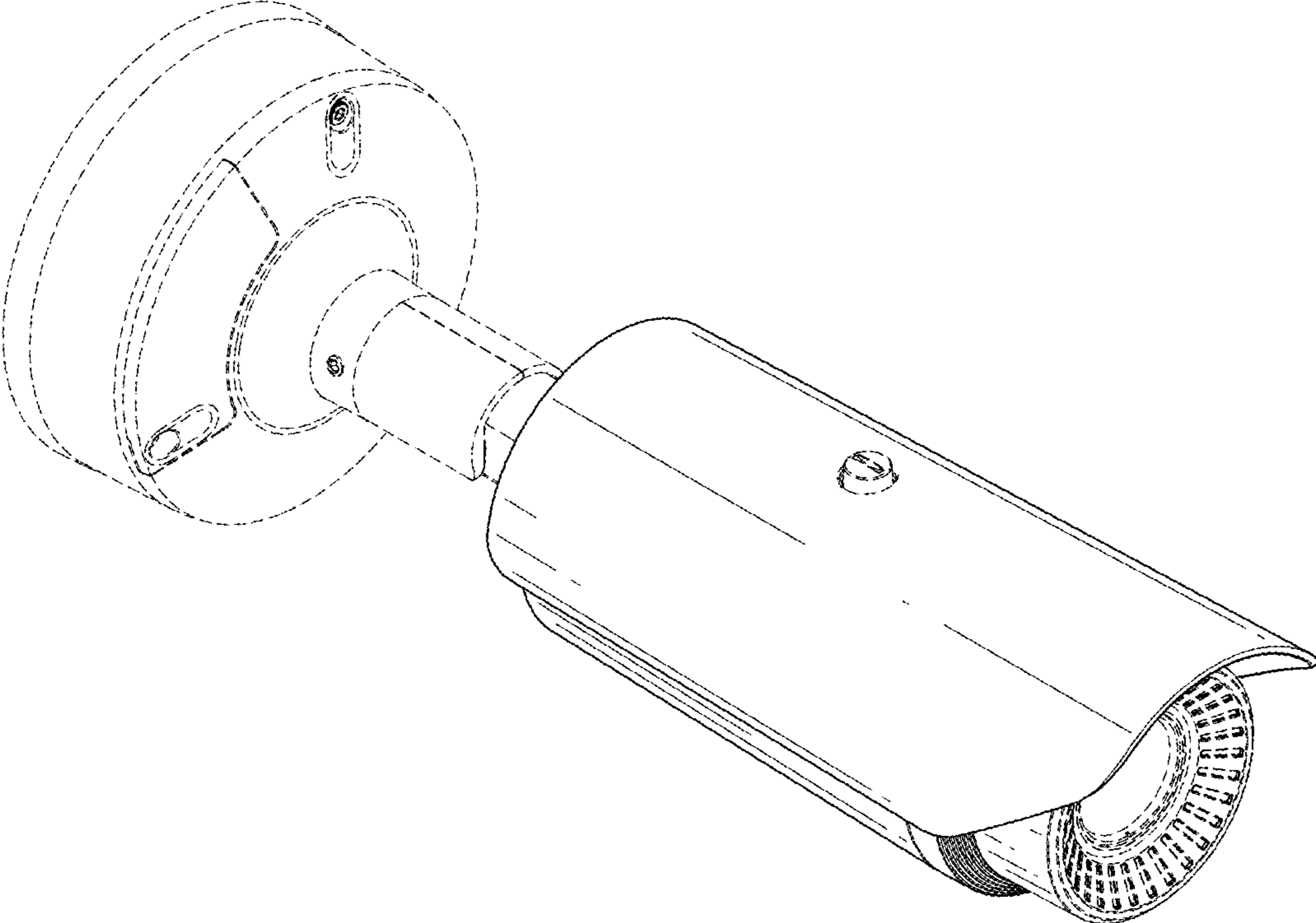


FIG. 2

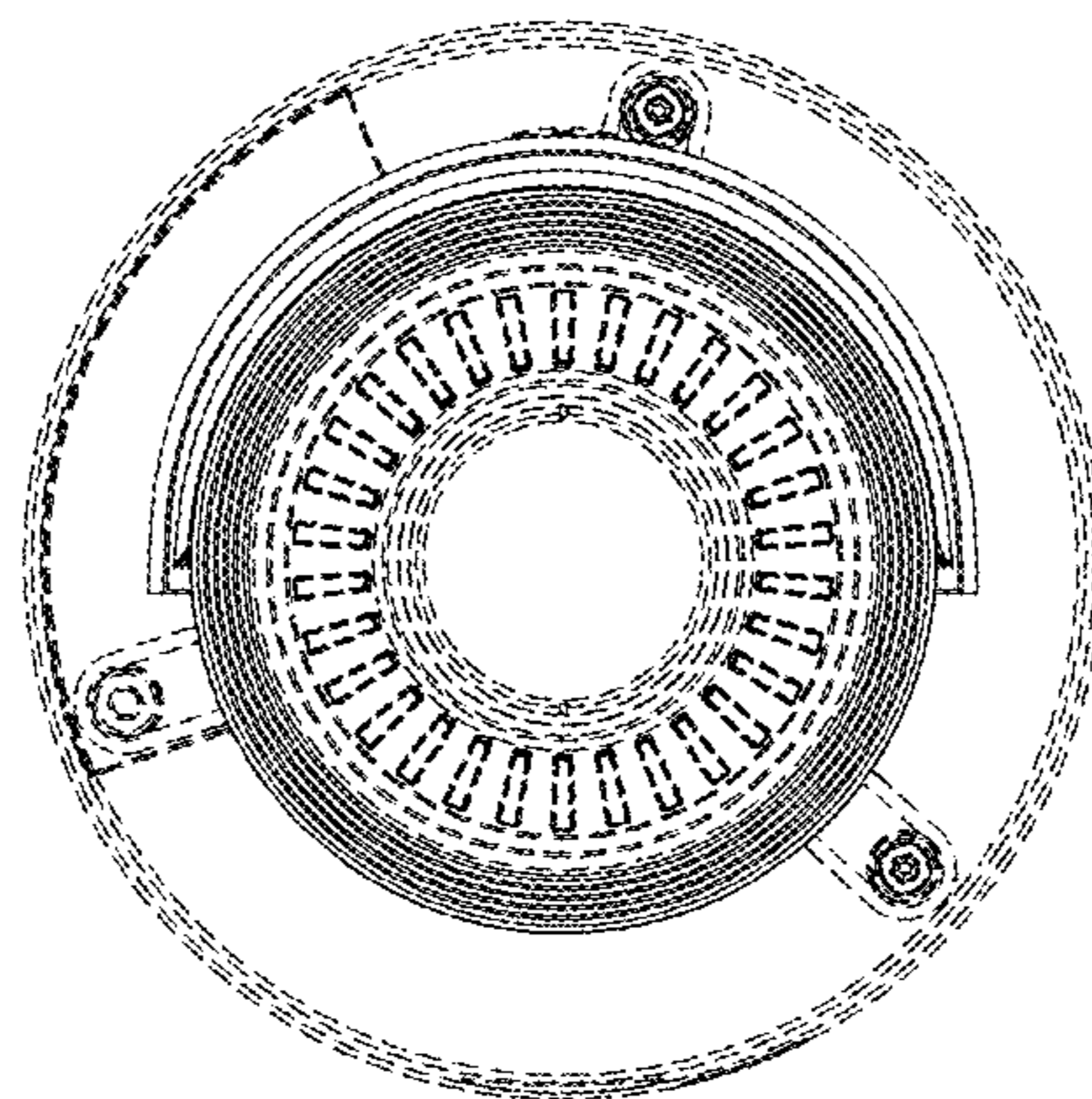


FIG. 3

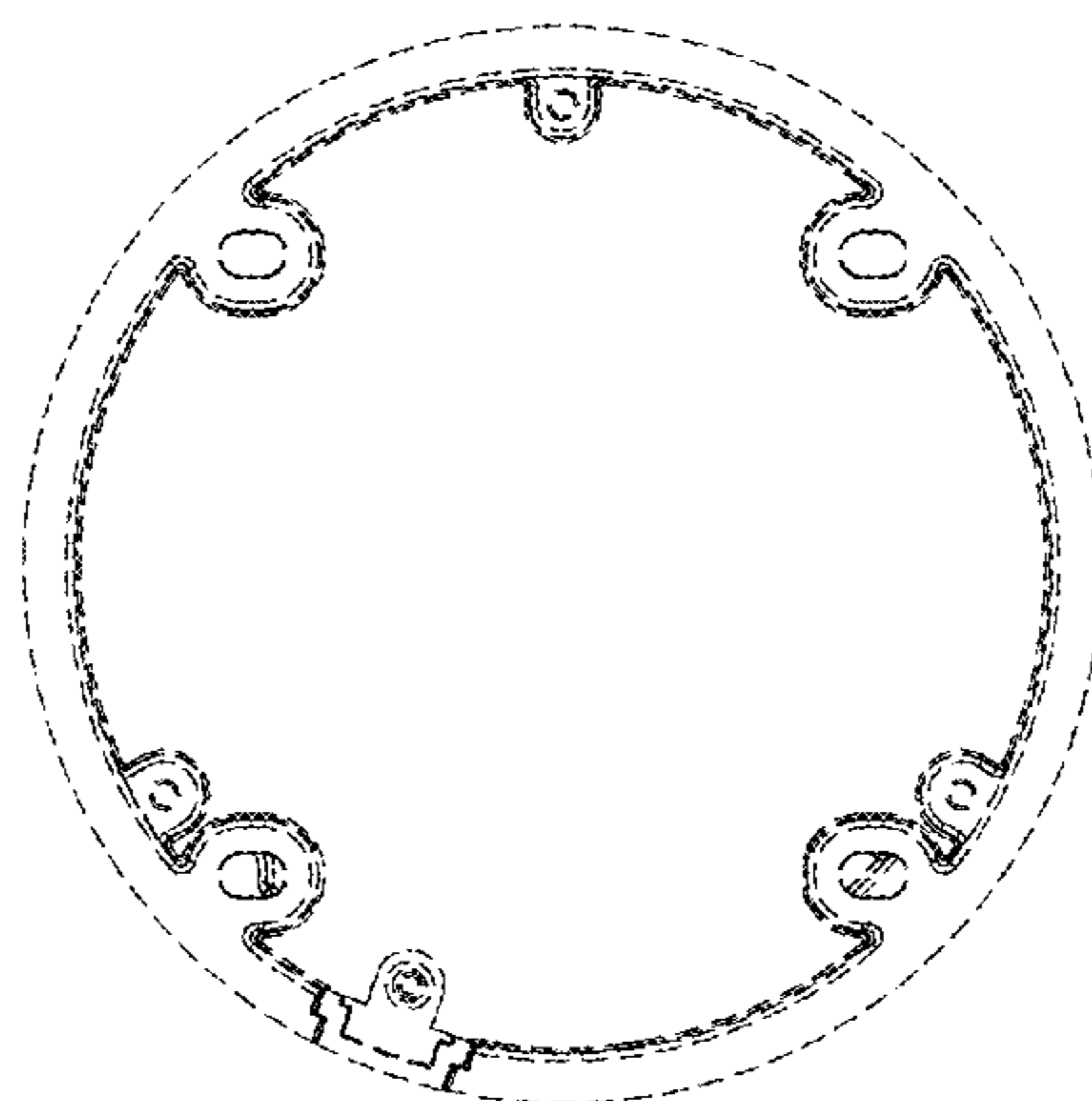


FIG. 4

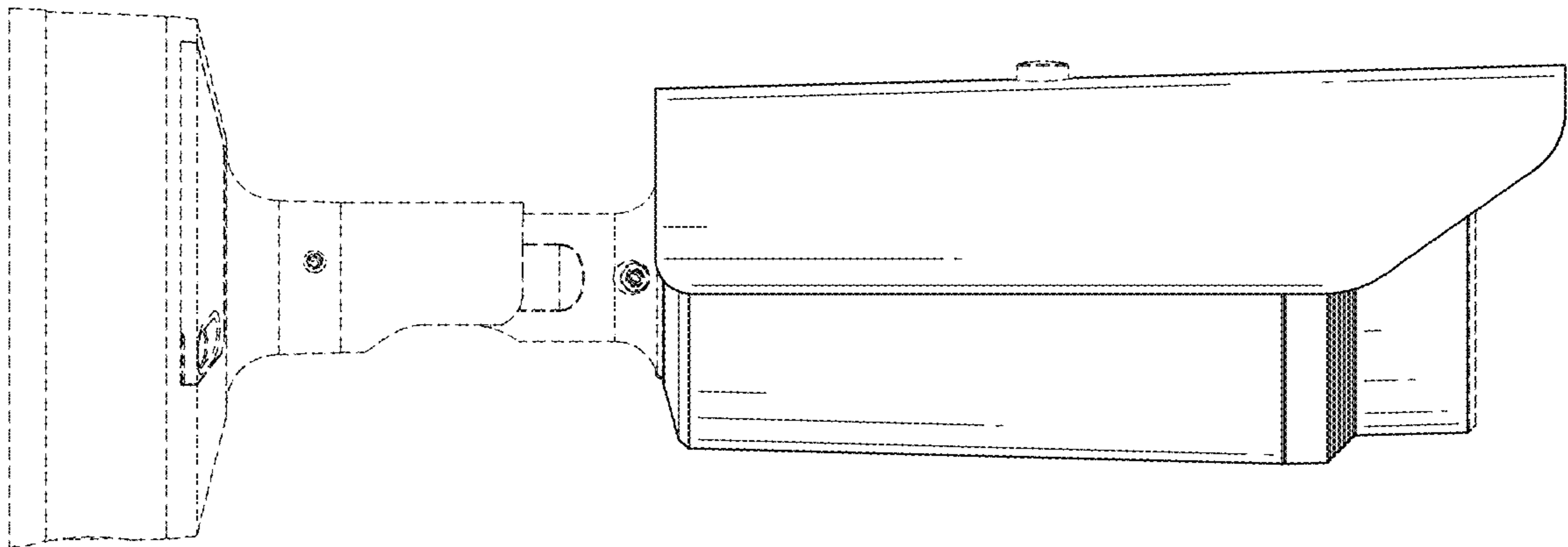


FIG. 5

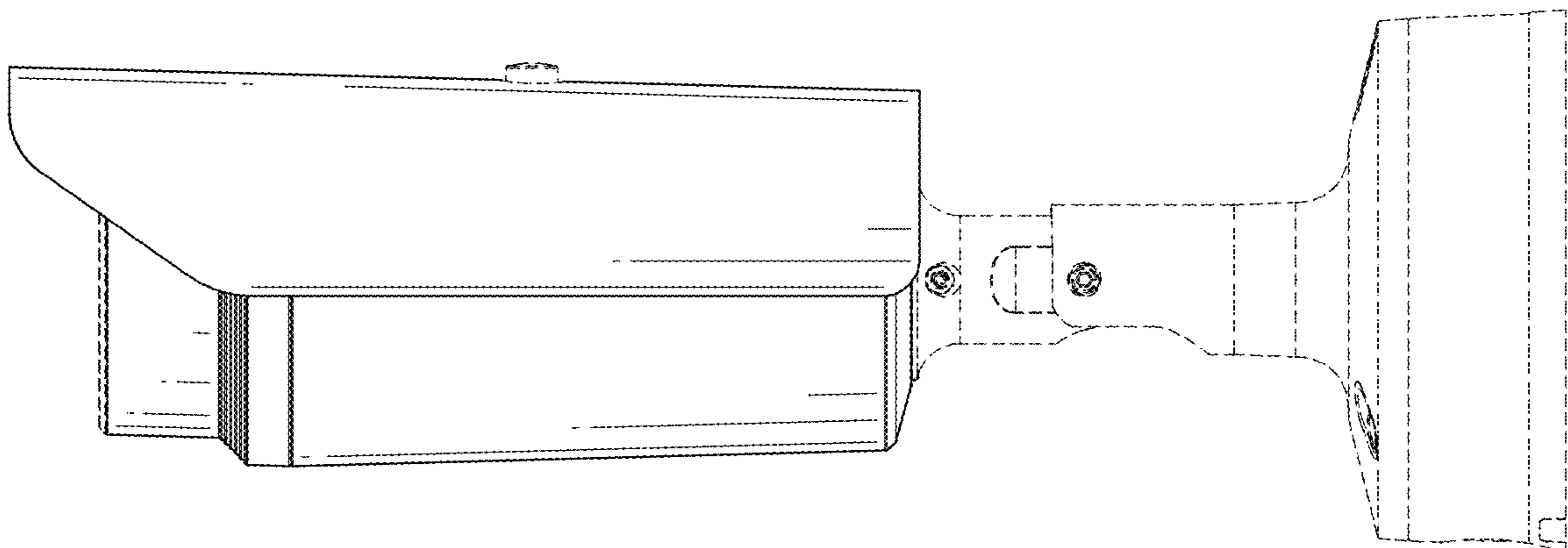


FIG. 6

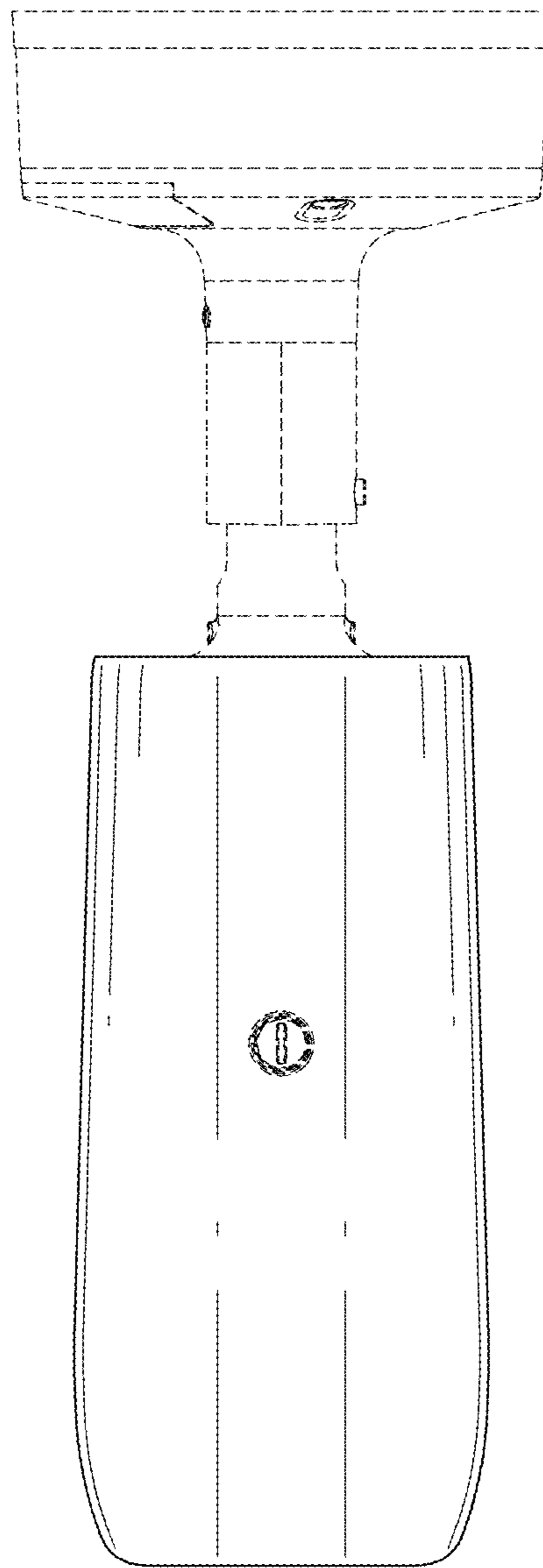


FIG. 7

