



US00D900188S

(12) **United States Design Patent**  
**Waller**

(10) **Patent No.:** **US D900,188 S**

(45) **Date of Patent:** **\*\* Oct. 27, 2020**

(54) **UNIVERSAL SECURITY BOX FOR SURVEILLANCE EQUIPMENT**

(71) Applicant: **Donald Ray Waller**, Columbus, OH (US)

(72) Inventor: **Donald Ray Waller**, Columbus, OH (US)

(\*\*) Term: **15 Years**

(21) Appl. No.: **29/711,657**

(22) Filed: **Nov. 1, 2019**

**Related U.S. Application Data**

(63) Continuation-in-part of application No. 16/266,757, filed on Feb. 4, 2019, now Pat. No. 10,652,439.

(51) **LOC (12) Cl.** ..... **16-01**

(52) **U.S. Cl.**  
USPC ..... **D16/200; D16/203**

(58) **Field of Classification Search**  
USPC ..... D16/200, 202–208, 210, 218, 219, 242; 348/143, 148, 151, 373–376; 396/419, 396/427, 535, 539–541  
CPC ..... G03B 17/02; G03B 19/04; G03B 17/56; G03B 17/04; G03B 15/03; H04N 5/2251; H04N 5/2252; H04N 5/2253; H04N 5/2254; H04N 7/181; H04N 7/183; H04N 7/18; G08B 13/1963; G08B 13/19619; G08B 13/19632; F16M 11/04; F16M 13/00

See application file for complete search history.

(56) **References Cited**

**U.S. PATENT DOCUMENTS**

4,538,434 A \* 9/1985 Janzen, Sr. .... F16K 35/10 70/178  
D281,865 S \* 12/1985 Abel ..... D10/106.1

D380,676 S \* 7/1997 Holland ..... D9/434  
D550,741 S \* 9/2007 Vernon ..... D16/208  
7,298,969 B2 \* 11/2007 Elberbaum ..... F16M 11/18 348/373  
D656,050 S \* 3/2012 Botelho ..... D10/106.95  
8,467,675 B2 \* 6/2013 Chen ..... H01L 31/02327 396/535  
D728,657 S \* 5/2015 Yamashita ..... D16/218  
D763,941 S \* 8/2016 Smith ..... D16/200  
D800,815 S \* 10/2017 Clearman ..... D16/200  
D816,751 S \* 5/2018 Harrison ..... D16/200  
D848,500 S \* 5/2019 Miyashita ..... D16/200  
D875,153 S \* 2/2020 Kostrzewa ..... D16/202

\* cited by examiner

*Primary Examiner* — Ramzi S Almatrahi

(57) **CLAIM**

The ornamental design for a universal security box for surveillance equipment, as shown and described.

**DESCRIPTION**

FIG. 1 is an exploded front perspective view of a universal security box for surveillance equipment showing my new design;

FIG. 2 is an exploded rear perspective view thereof;

FIG. 3 is an exploded front elevation view thereof;

FIG. 4 is an exploded rear elevation view thereof;

FIG. 5 is an exploded right side elevation view thereof;

FIG. 6 is an exploded left side elevation view thereof;

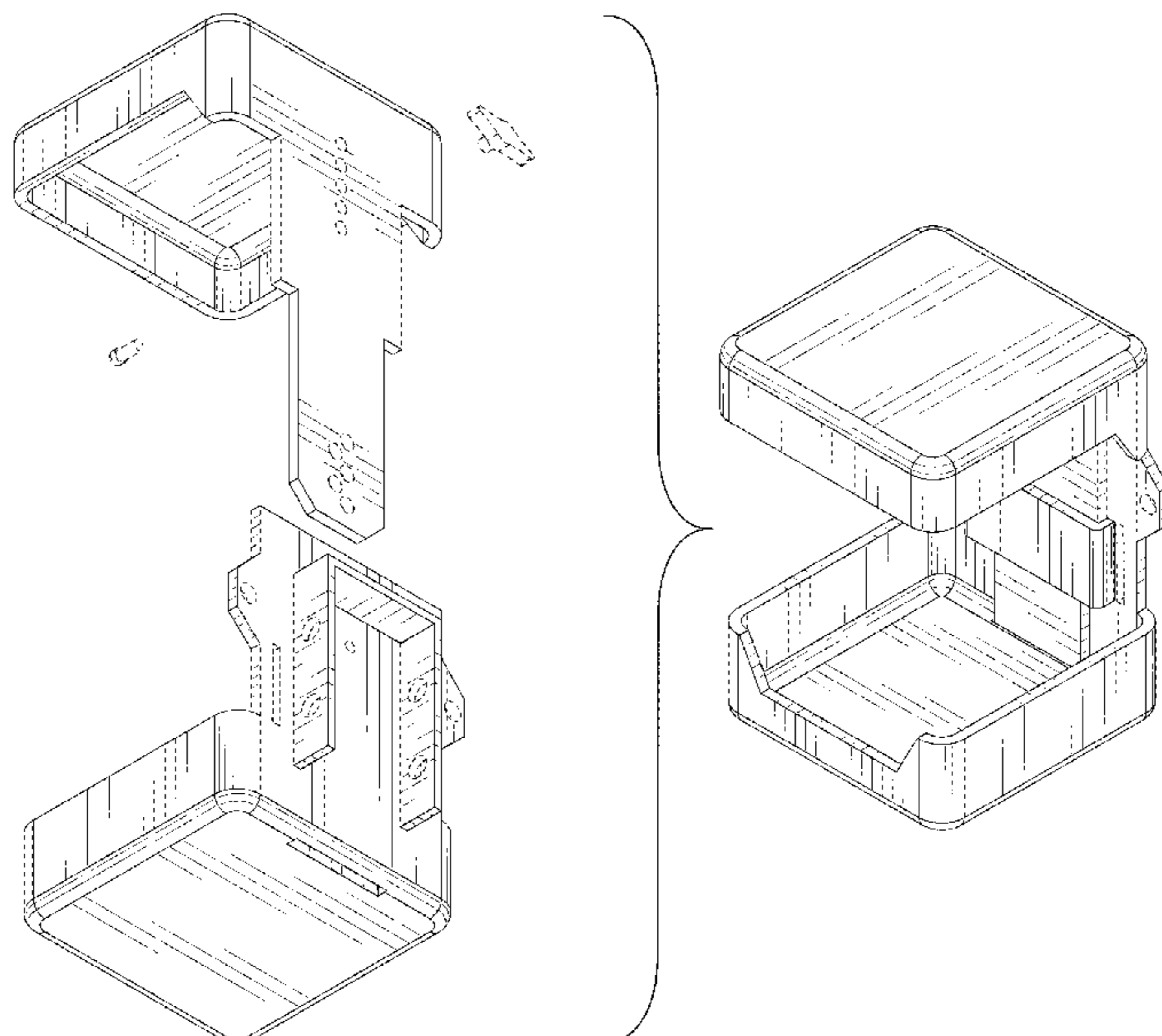
FIG. 7 is an exploded top plan view thereof;

FIG. 8 is an exploded bottom plan view thereof; and,

FIG. 9 is a front perspective view of the universal security box for surveillance equipment.

The broken lines depict portions of the universal security box for surveillance equipment in which the design is embodied that form no part of the claimed design.

**1 Claim, 9 Drawing Sheets**



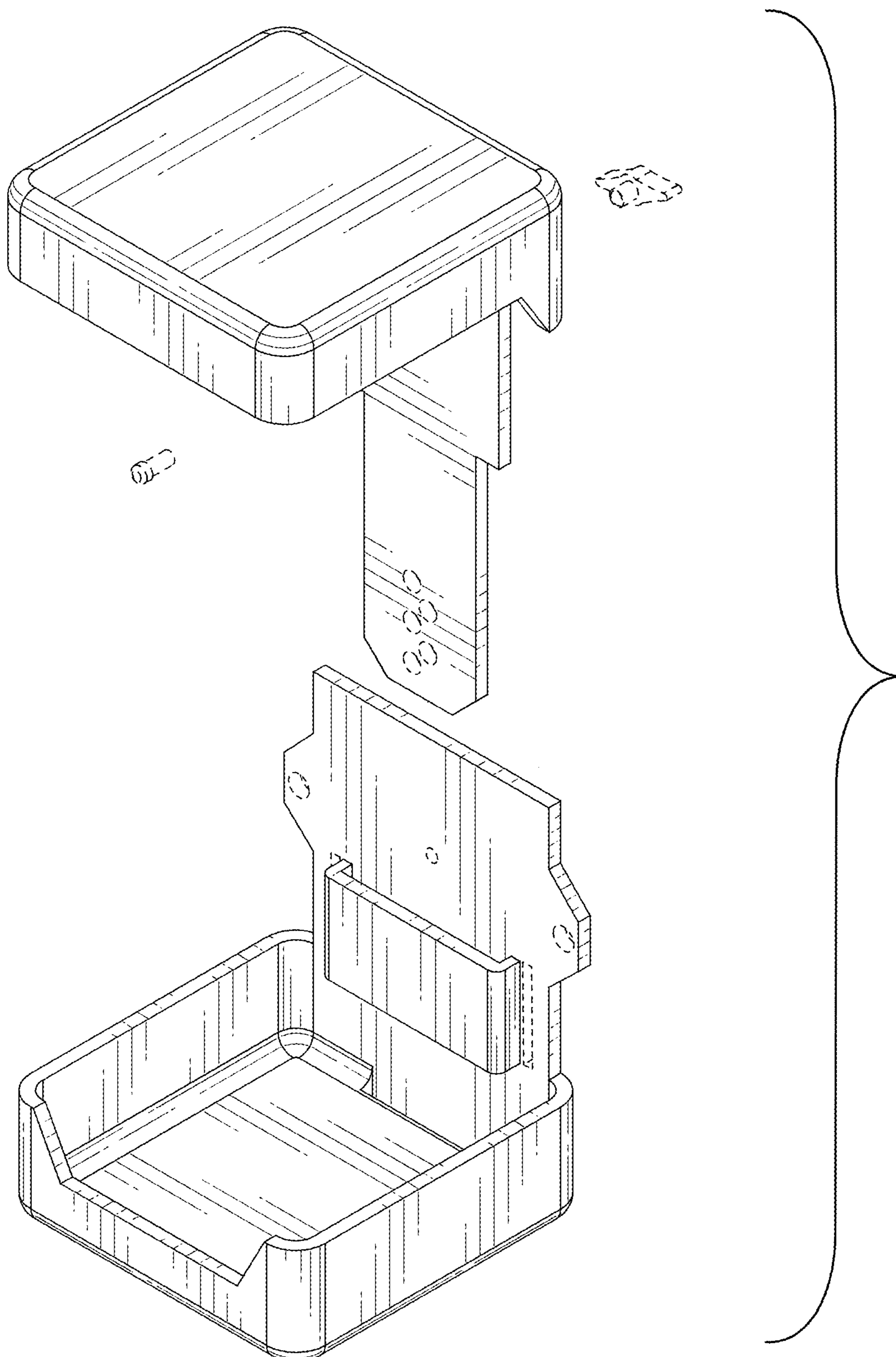


FIG. 1

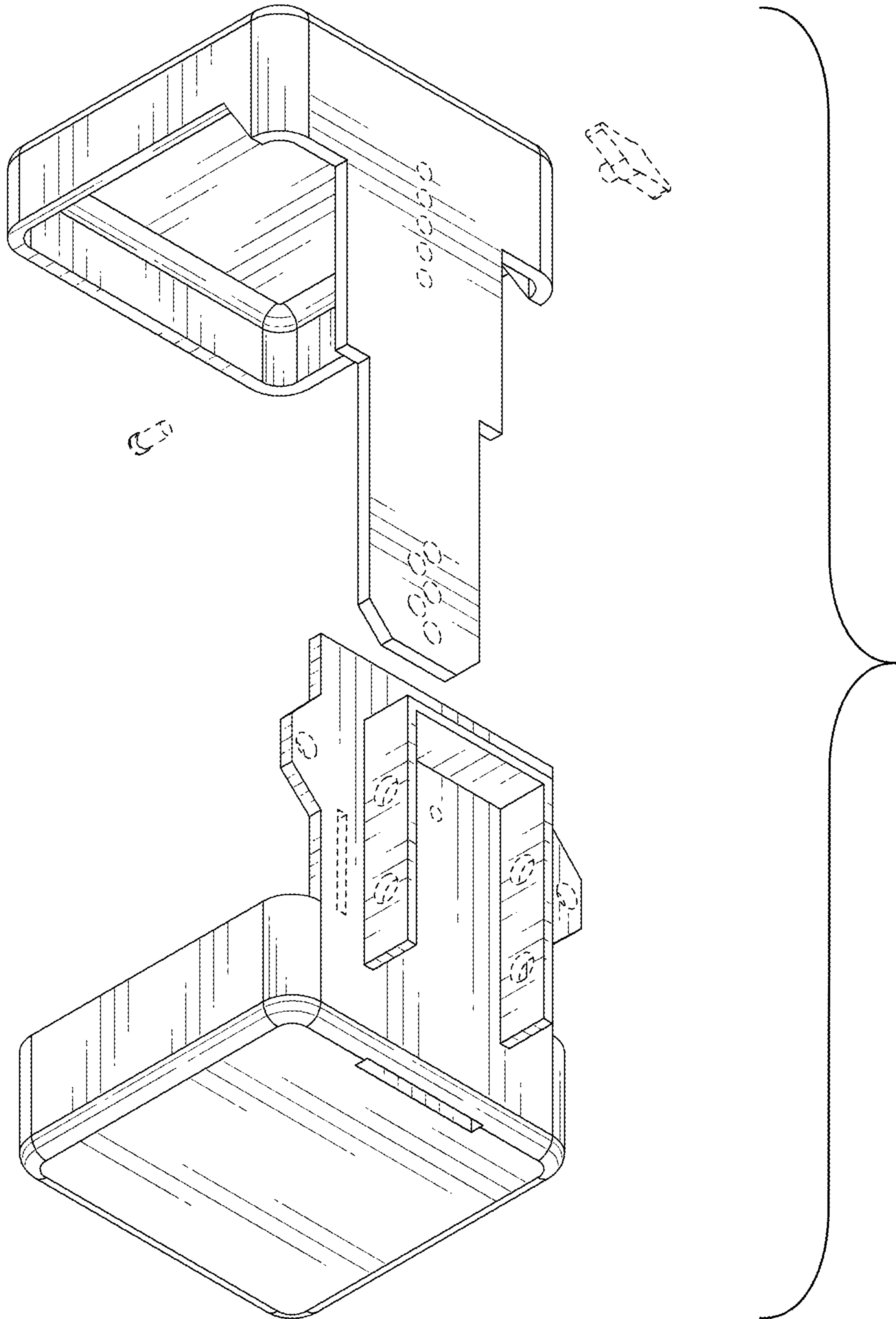


FIG. 2

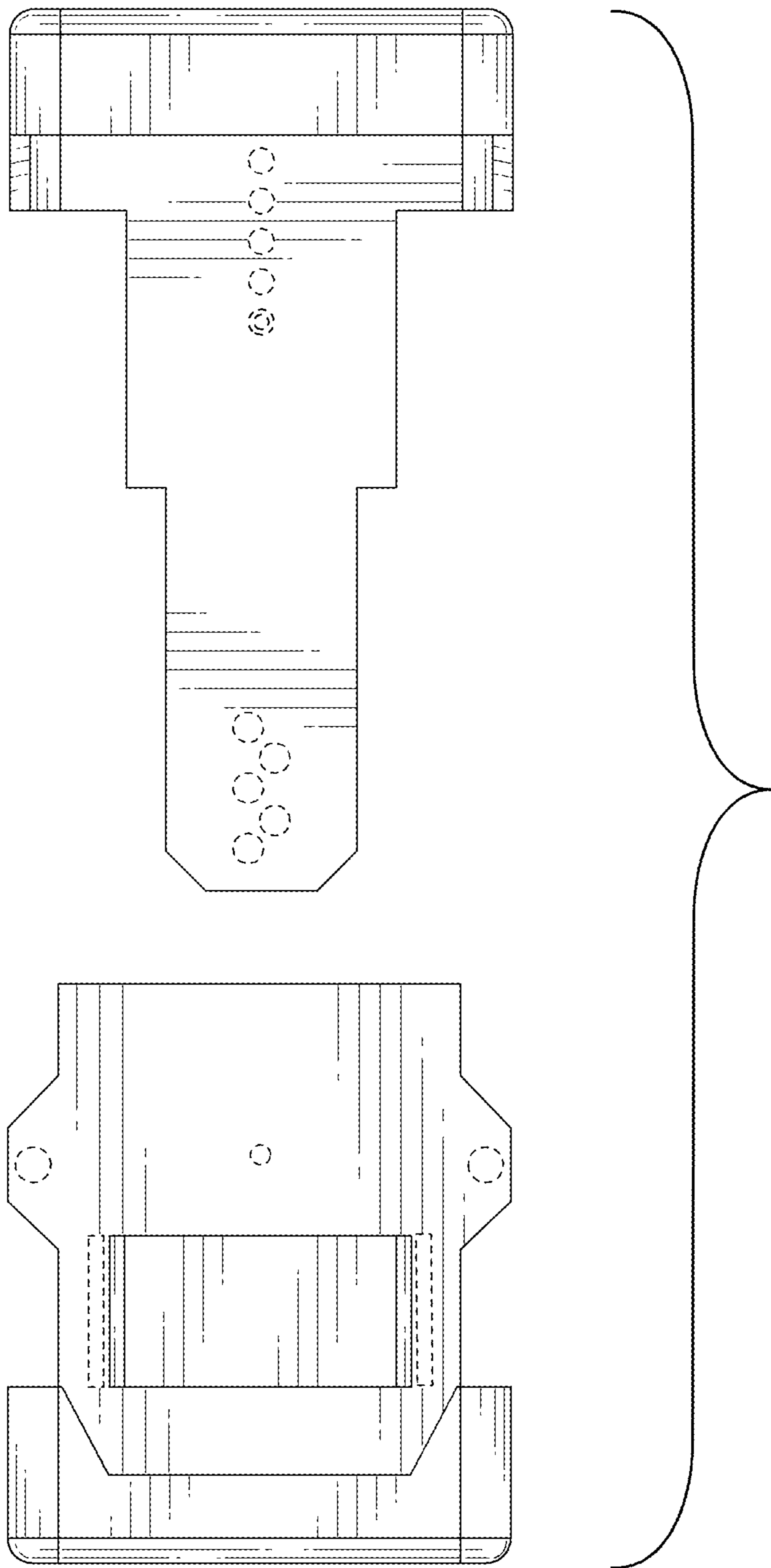


FIG. 3



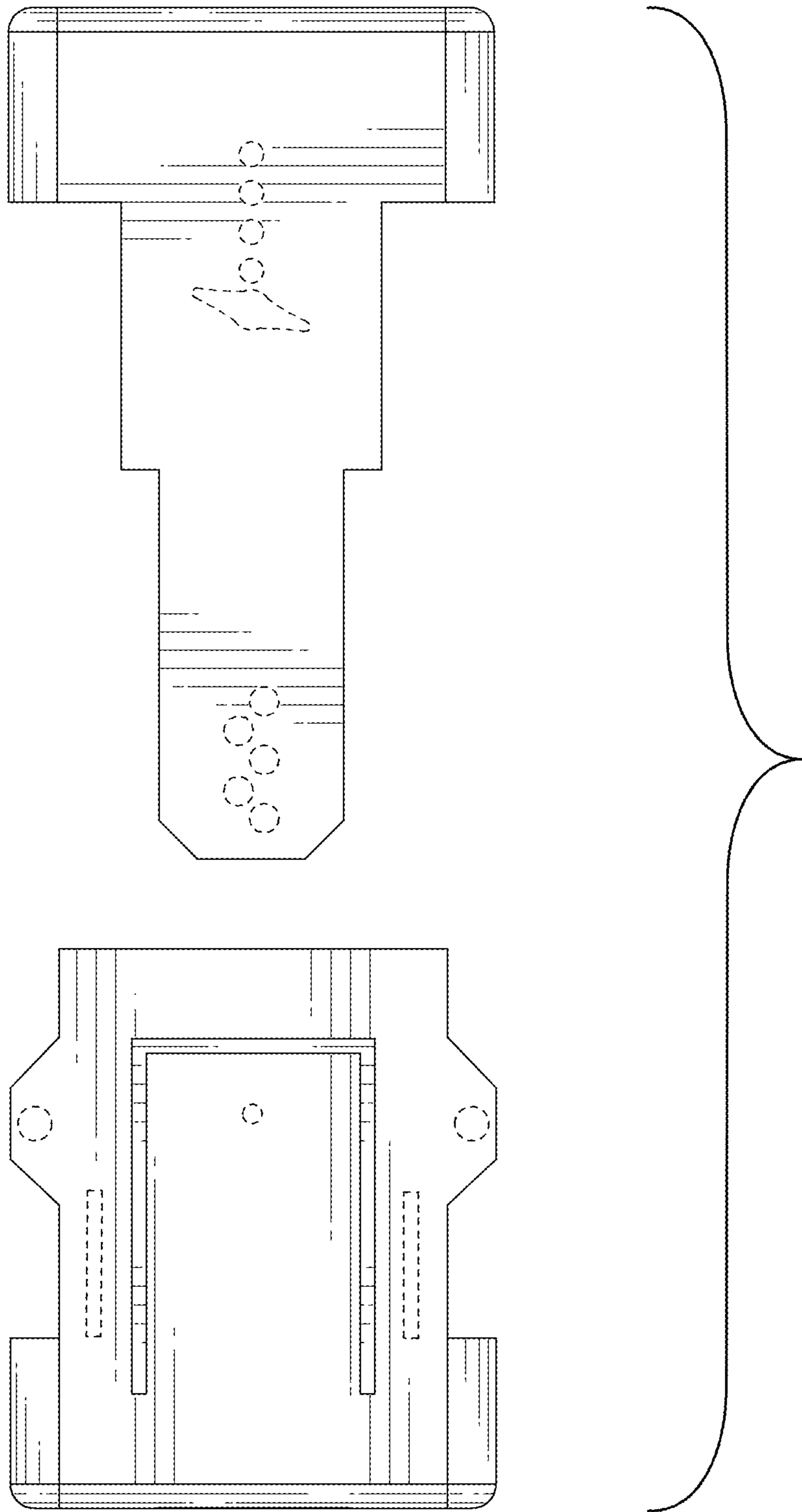


FIG. 4

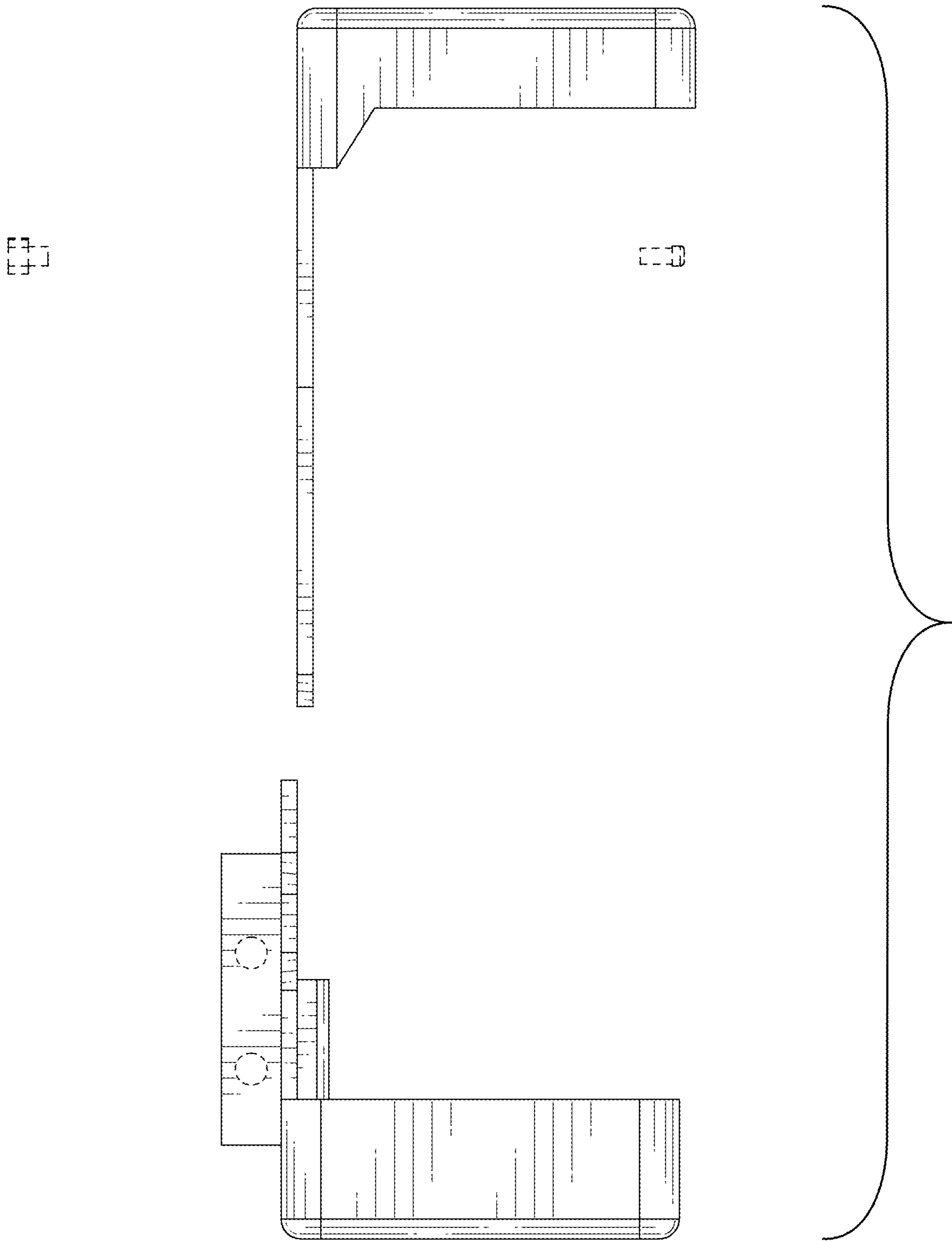


FIG. 5

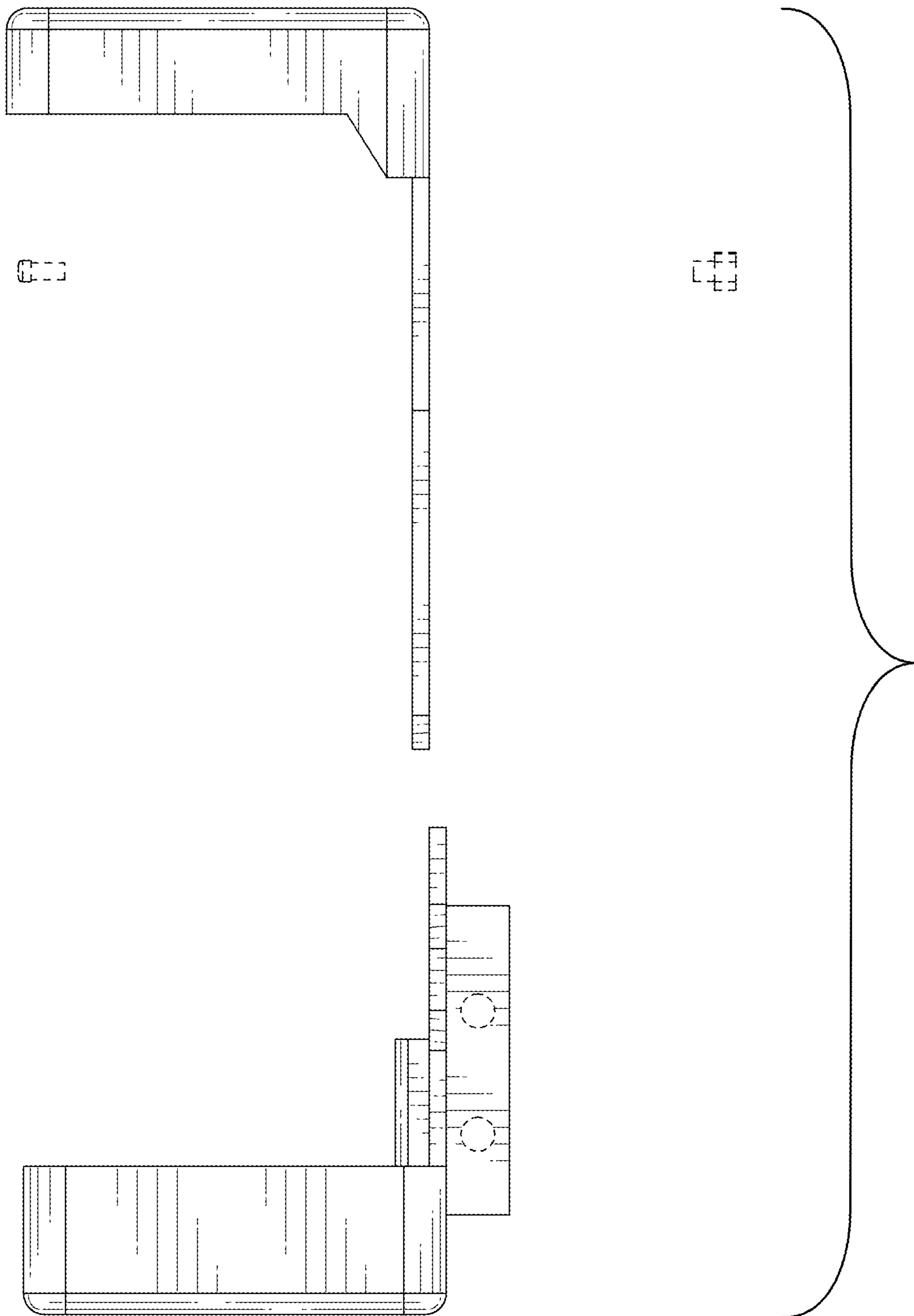


FIG. 6

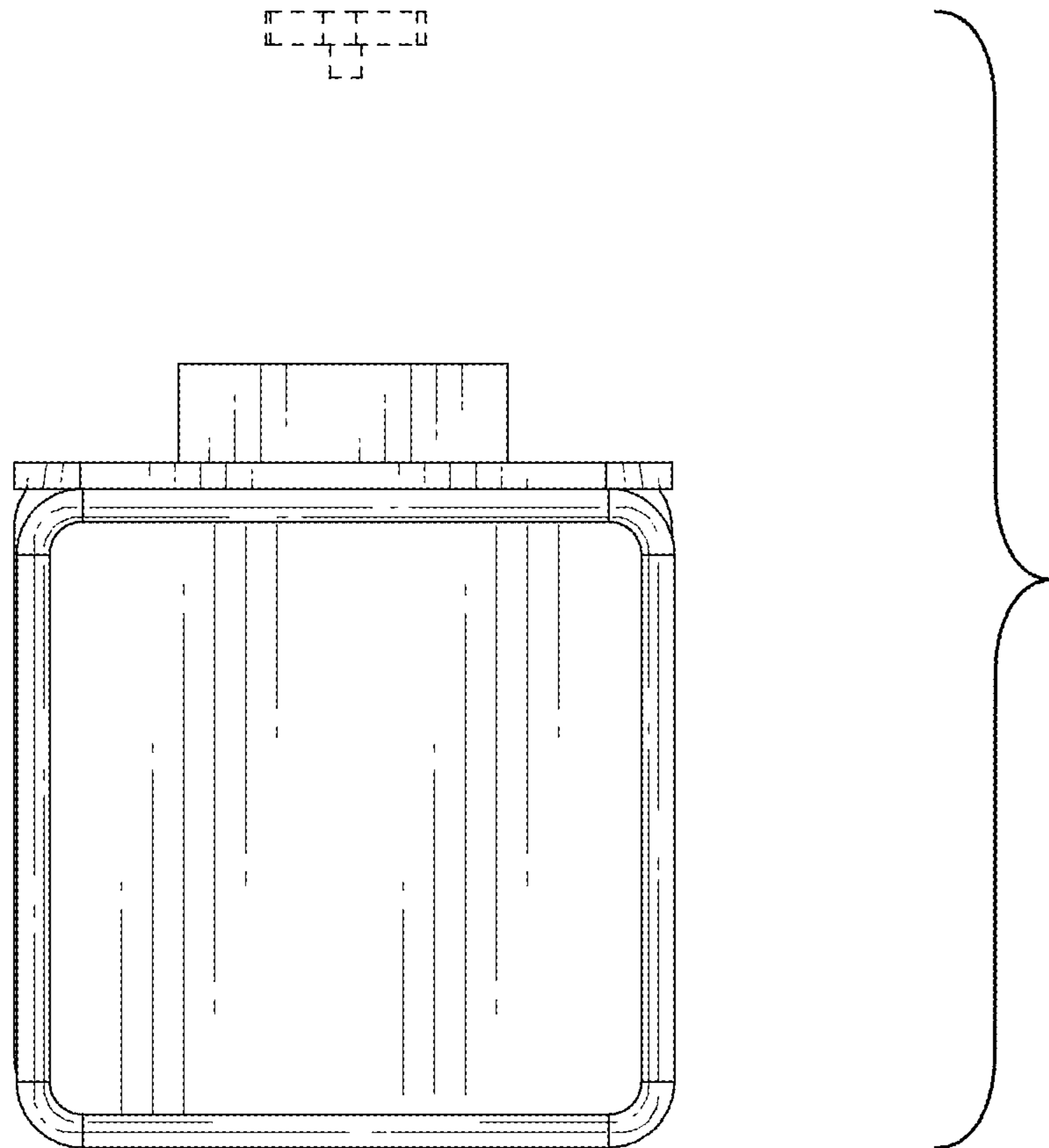


FIG. 7



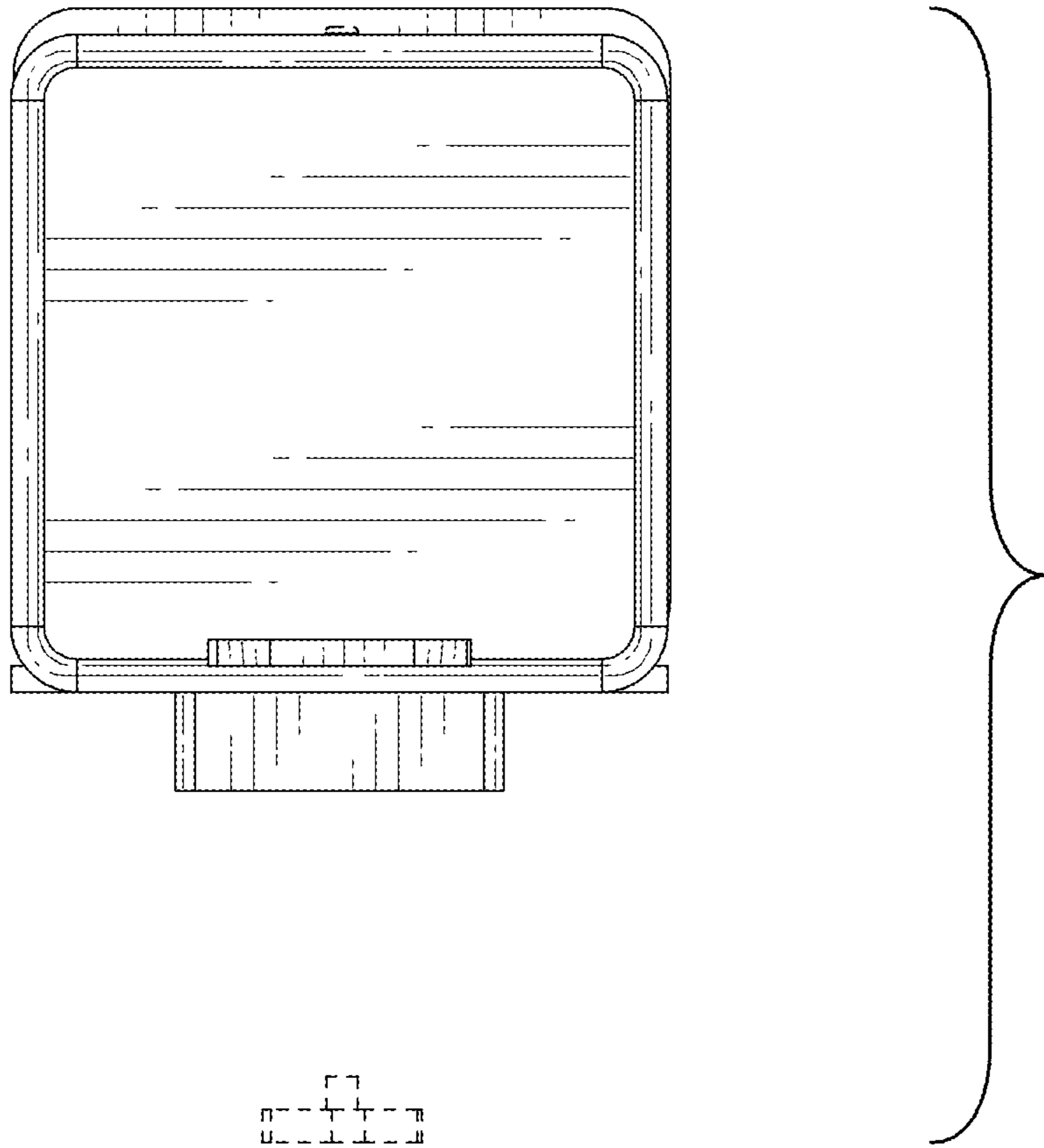


FIG. 8

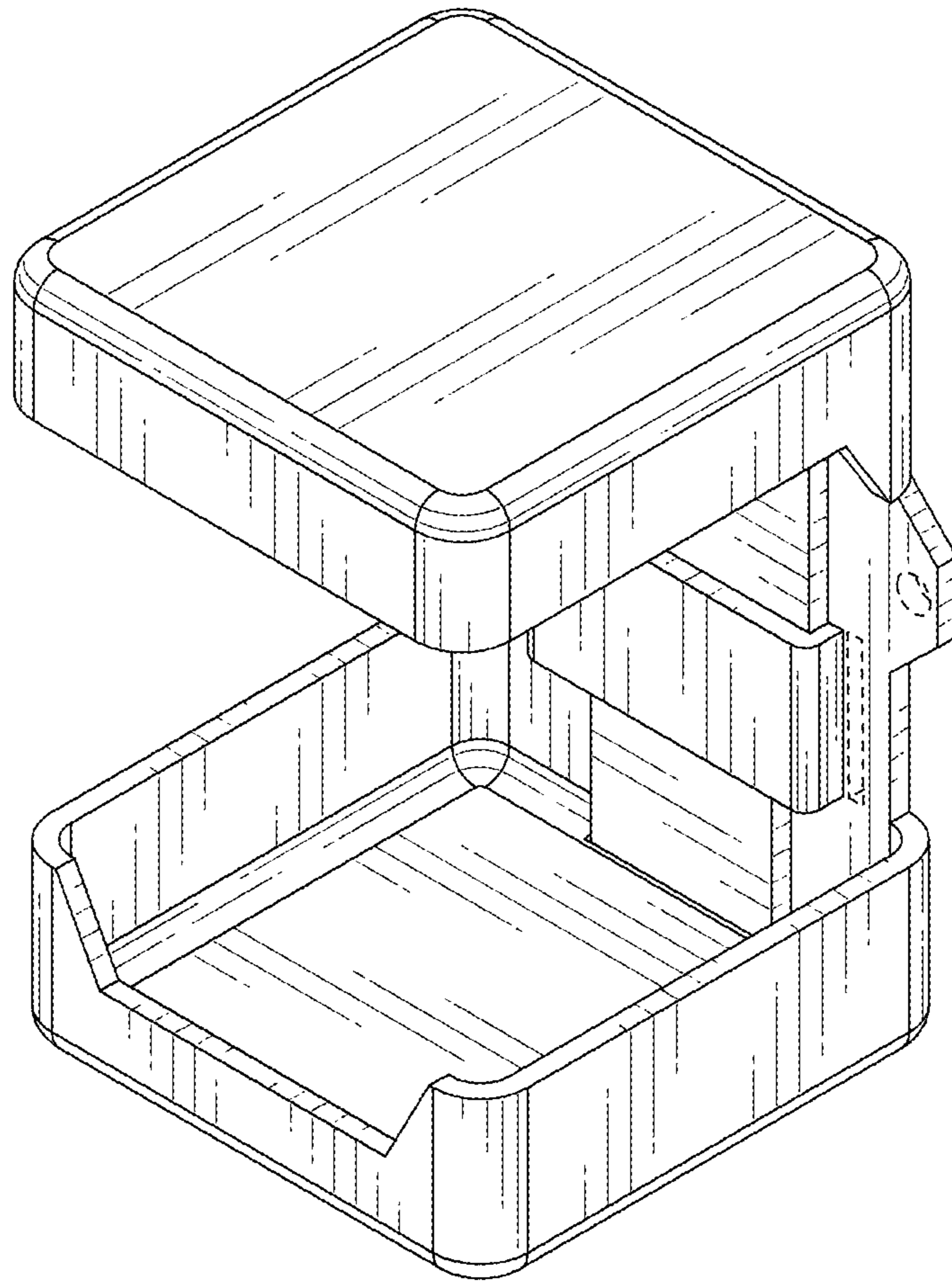


FIG. 9