



US00D900184S

(12) **United States Design Patent**
Miyashita

(10) **Patent No.:** **US D900,184 S**

(45) **Date of Patent:** **** Oct. 27, 2020**

(54) **ALIGNING UNIT FOR INDUSTRIAL ROBOT ARM**

(71) Applicant: **Koganei Corporation**, Koganei-shi, Tokyo (JP)

(72) Inventor: **Takeshi Miyashita**, Koganei (JP)

(73) Assignee: **Koganei Corporation**, Tokyo (JP)

(**) Term: **15 Years**

(21) Appl. No.: **29/674,435**

(22) Filed: **Dec. 21, 2018**

Related U.S. Application Data

(62) Division of application No. 35/503,676, filed on Mar. 15, 2017 (U.S. filing date under 35 U.S.C. 384), and having an international filing date of Mar. 15, 2017, now Pat. No. Des. 841,713.

Foreign Application Priority Data

Oct. 4, 2016 (JP) 2016-21558
Oct. 4, 2016 (JP) 2016-21559

(51) **LOC (12) Cl.** **15-99**

(52) **U.S. Cl.**
USPC **D15/199**
CPC **F04D 29/10** (2013.01)

(58) **Field of Classification Search**
USPC D15/138, 143, 199
CPC F04D 29/10; F04D 29/043; F04D 29/049;
F04D 29/053; F04D 29/059
See application file for complete search history.

(56) **References Cited**

U.S. PATENT DOCUMENTS

D304,834 S * 11/1989 Habicht D15/148
D313,650 S * 1/1991 Odegaard D23/386

D479,541 S * 9/2003 Lannoch D15/148
D540,348 S * 4/2007 Chu D15/7
D541,816 S * 5/2007 Puls D15/7
D638,454 S * 5/2011 Torii D15/143
D673,196 S * 12/2012 von Hafen D15/148
D673,197 S * 12/2012 von Hafen D15/148
D733,779 S * 7/2015 Ebner D15/148
D740,867 S * 10/2015 Barta D15/148
D769,952 S * 10/2016 Andersson D15/148
D775,252 S * 12/2016 Shentu D15/149
D779,390 S * 2/2017 Shentu D12/133
D779,391 S * 2/2017 Shentu D12/133
D789,432 S * 6/2017 Tokuda D15/148
D790,616 S * 6/2017 Tokuda D15/148
D790,617 S * 6/2017 Tokuda D15/148
D824,967 S * 8/2018 Getto D15/143
D829,792 S * 10/2018 Matsutou D15/148
D832,325 S * 10/2018 Matsuto D15/148
2009/0096149 A1 * 4/2009 Miyashita B25B 5/087
269/49

* cited by examiner

Primary Examiner — Richard E Chilcot

(74) *Attorney, Agent, or Firm* — McCormick, Paulding & Huber, PLLC

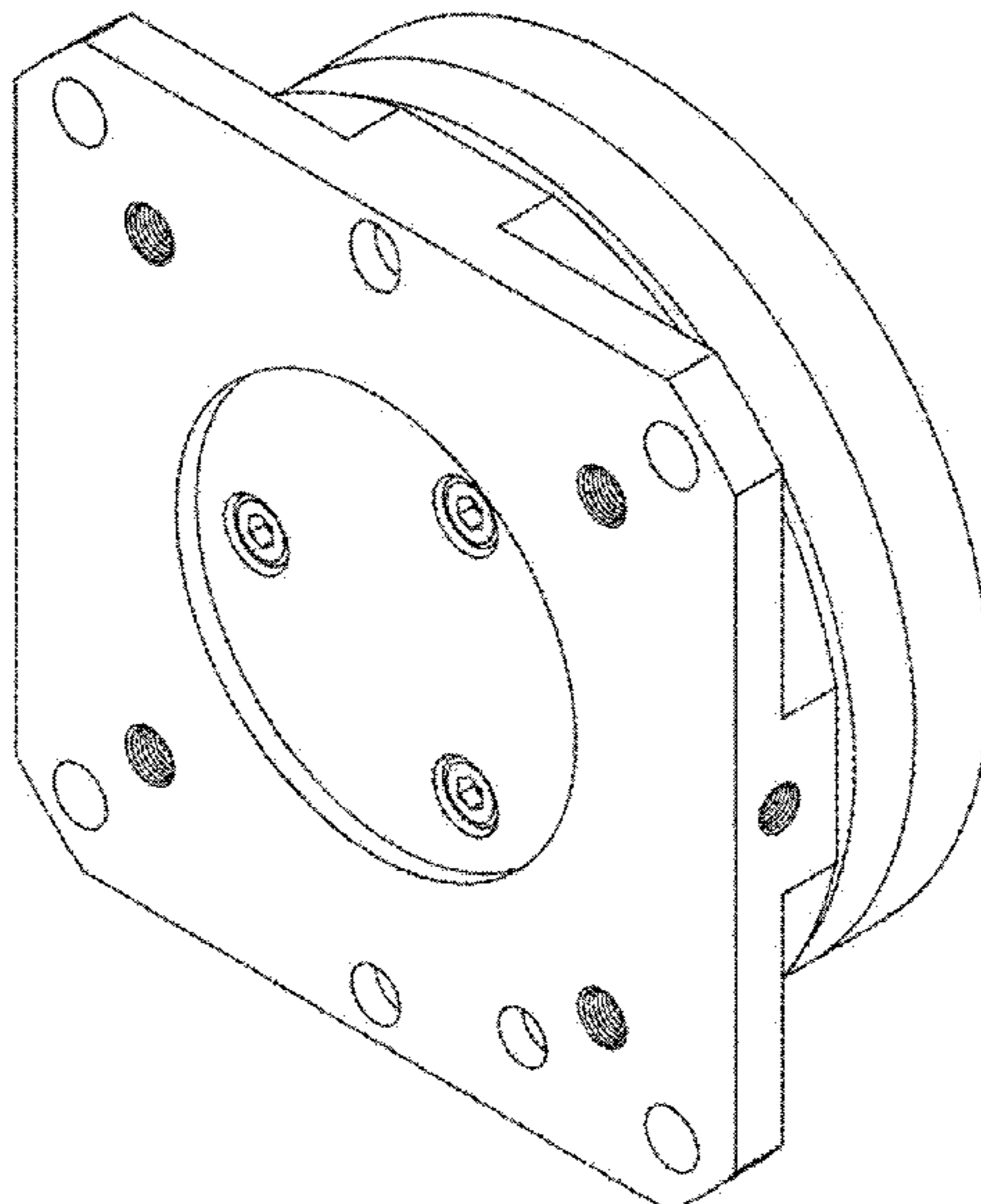
(57) **CLAIM**

The ornamental design for an aligning unit for industrial robot arm, substantially as shown and described.

DESCRIPTION

FIG. 1 is a front, top and right side perspective view of an aligning unit for industrial robot arm, comprising a new, original and ornamental design;
FIG. 2 is a rear, top, right side perspective view thereof;
FIG. 3 is a front view thereof;
FIG. 4 is a rear view thereof;
FIG. 5 is a top view thereof;
FIG. 6 is a bottom view thereof;
FIG. 7 is a right view thereof; and,
FIG. 8 is a left view thereof.

1 Claim, 8 Drawing Sheets



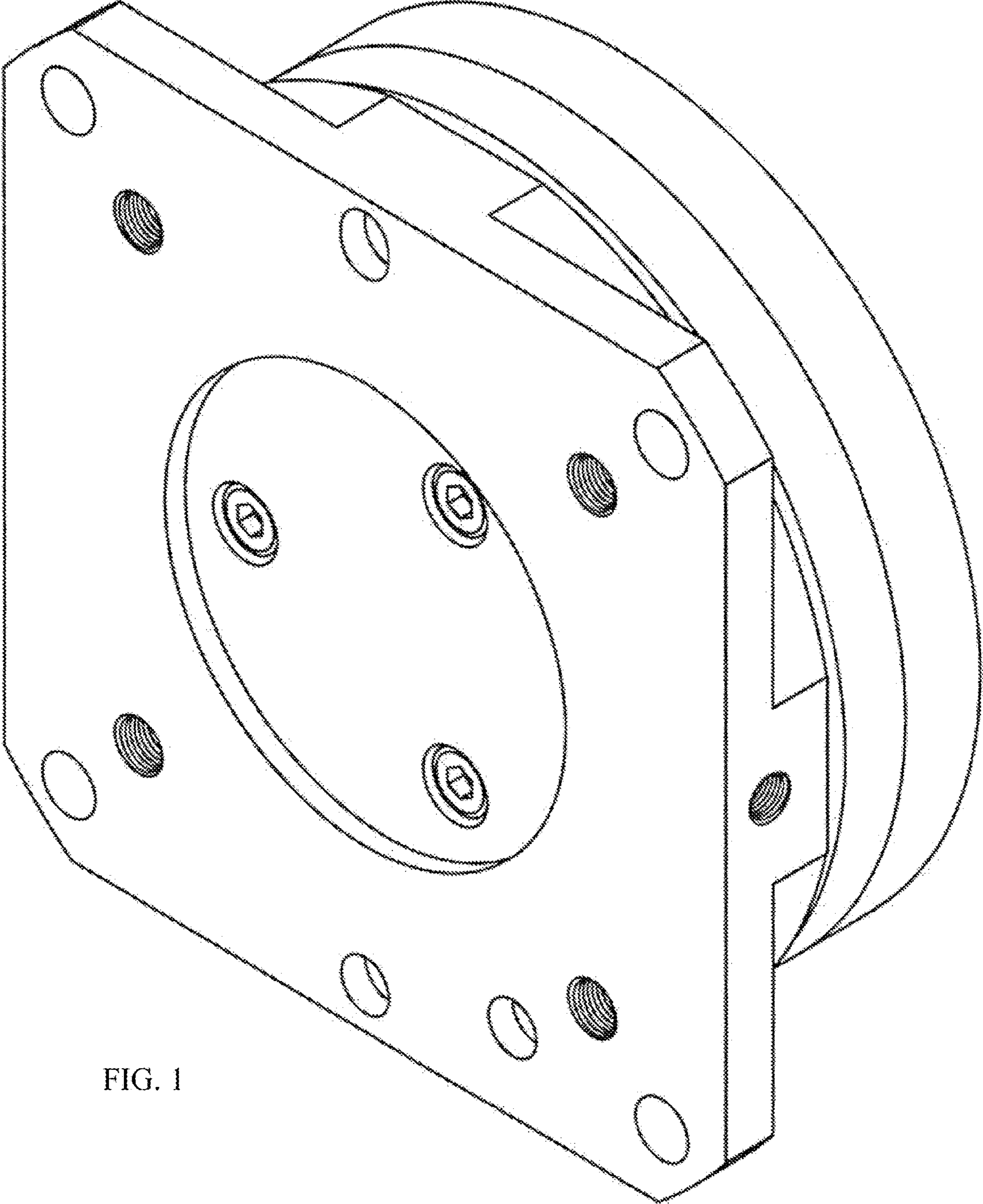


FIG. 1

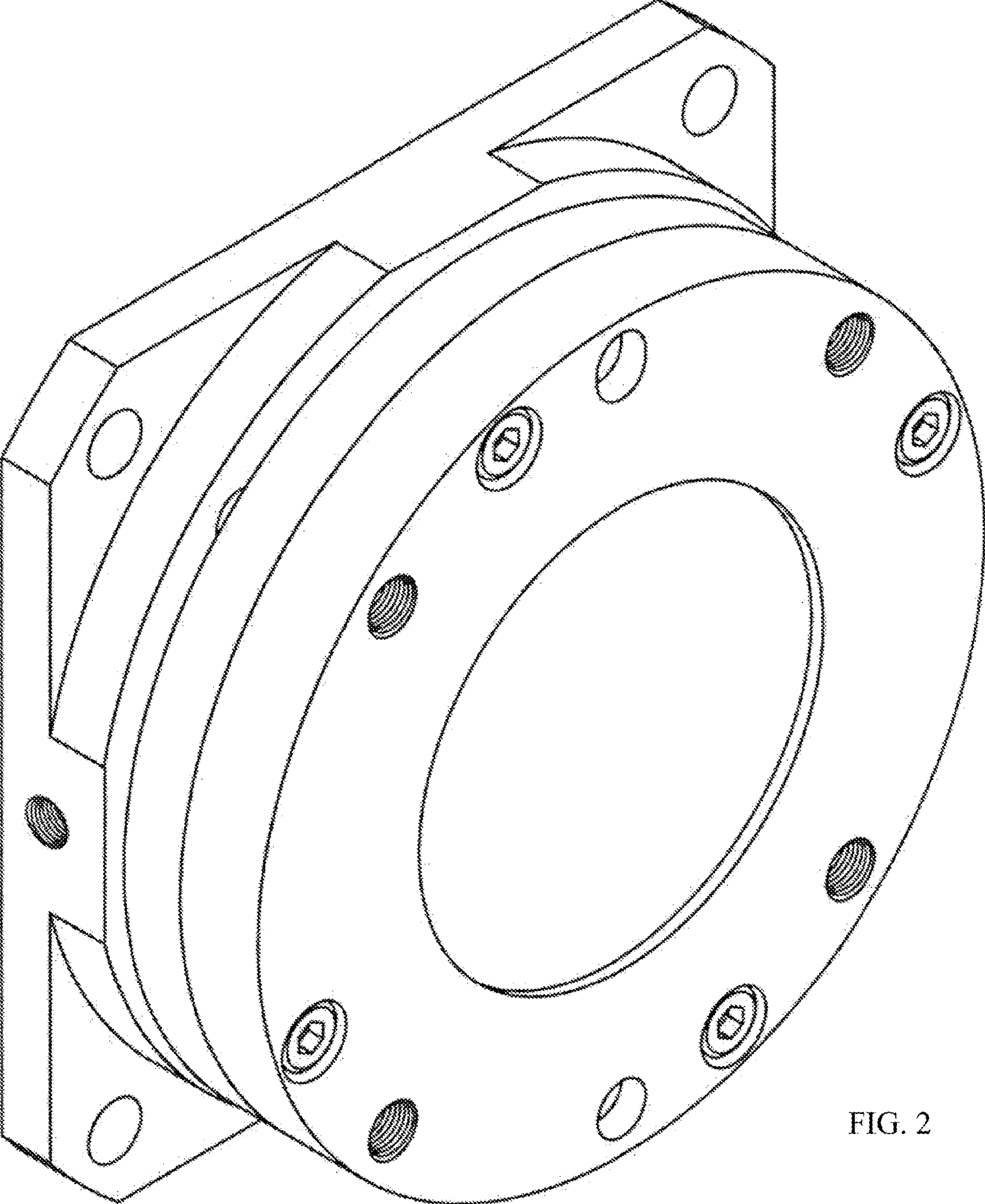


FIG. 2

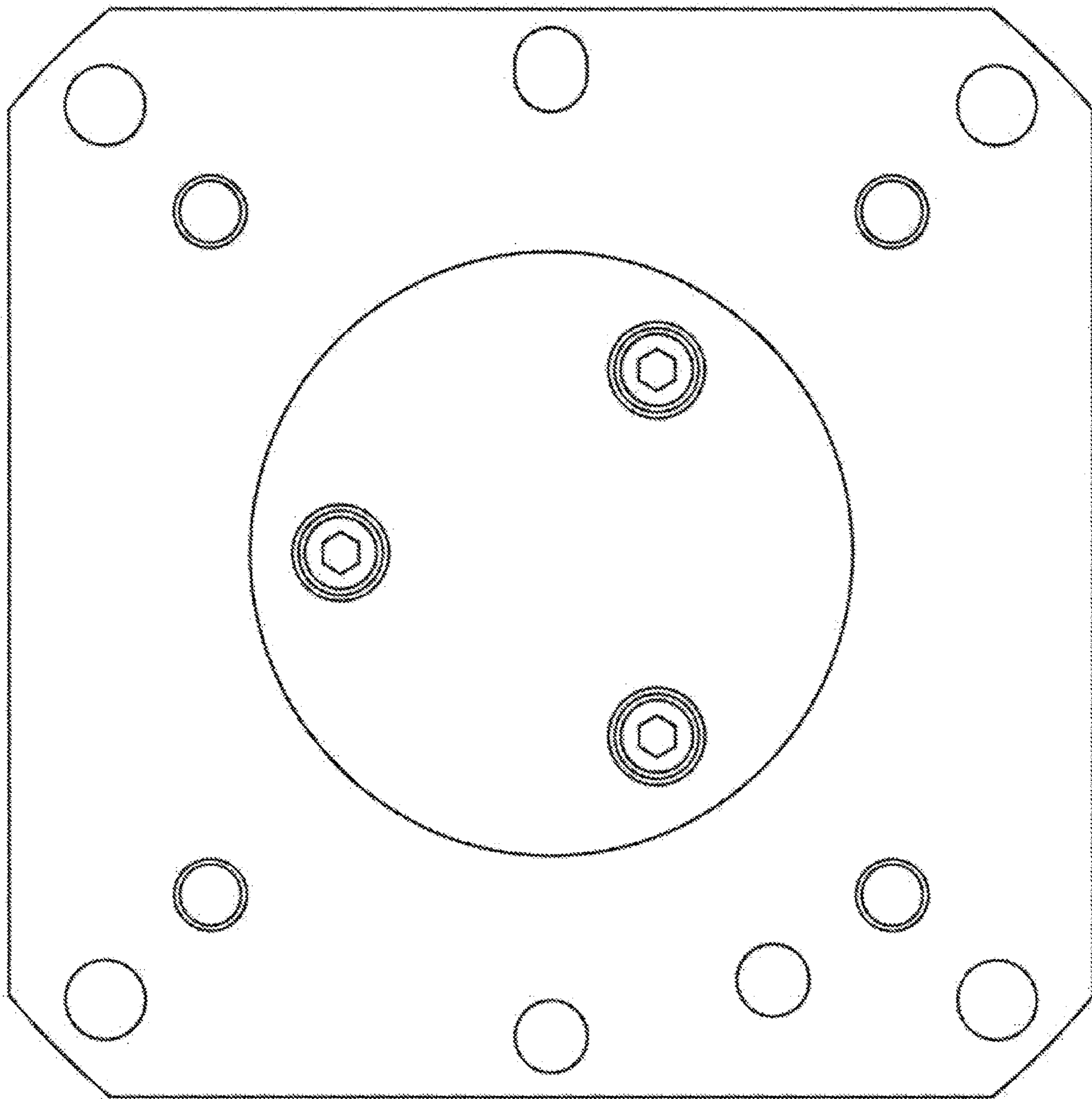


FIG. 3

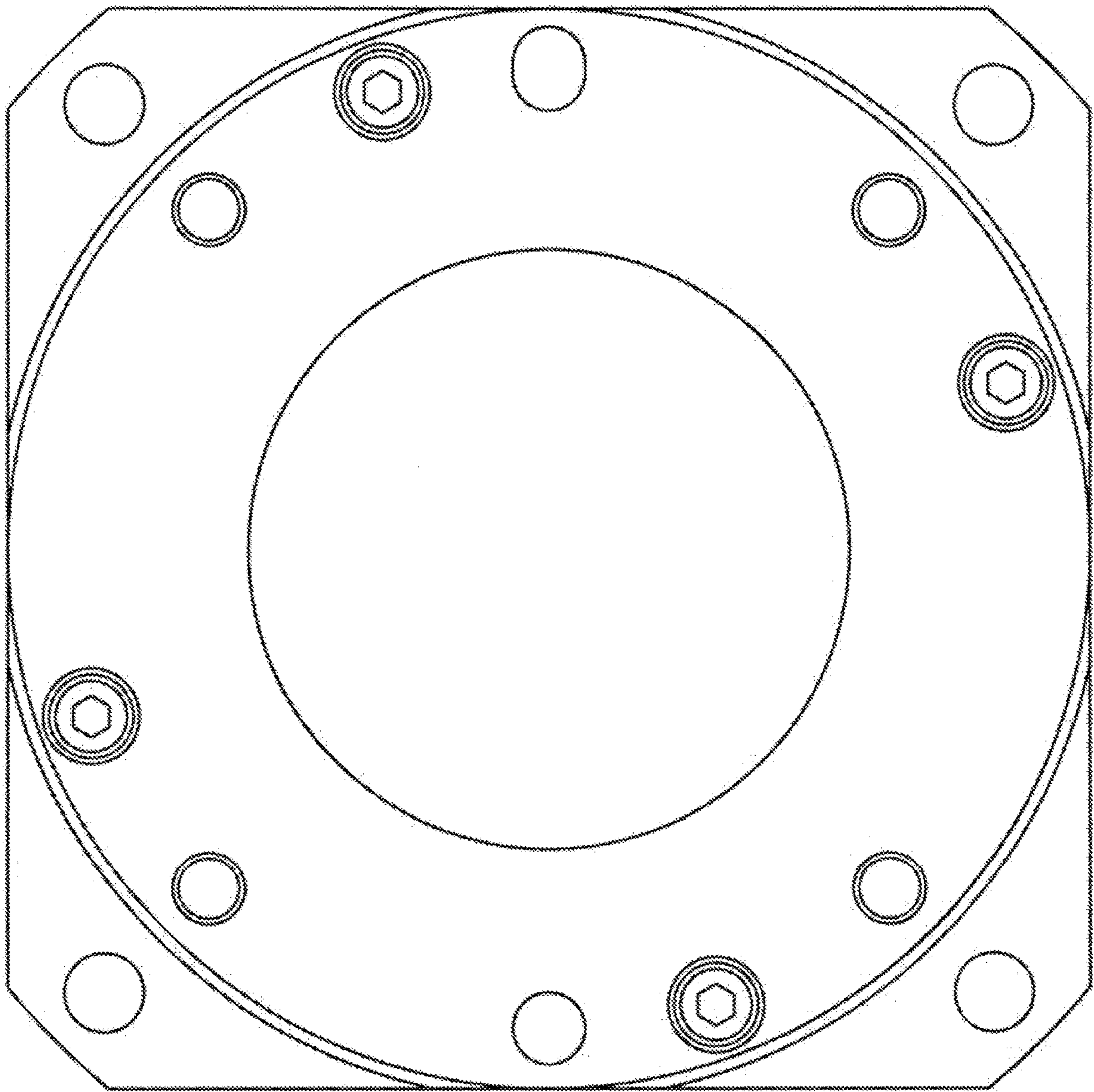


FIG. 4

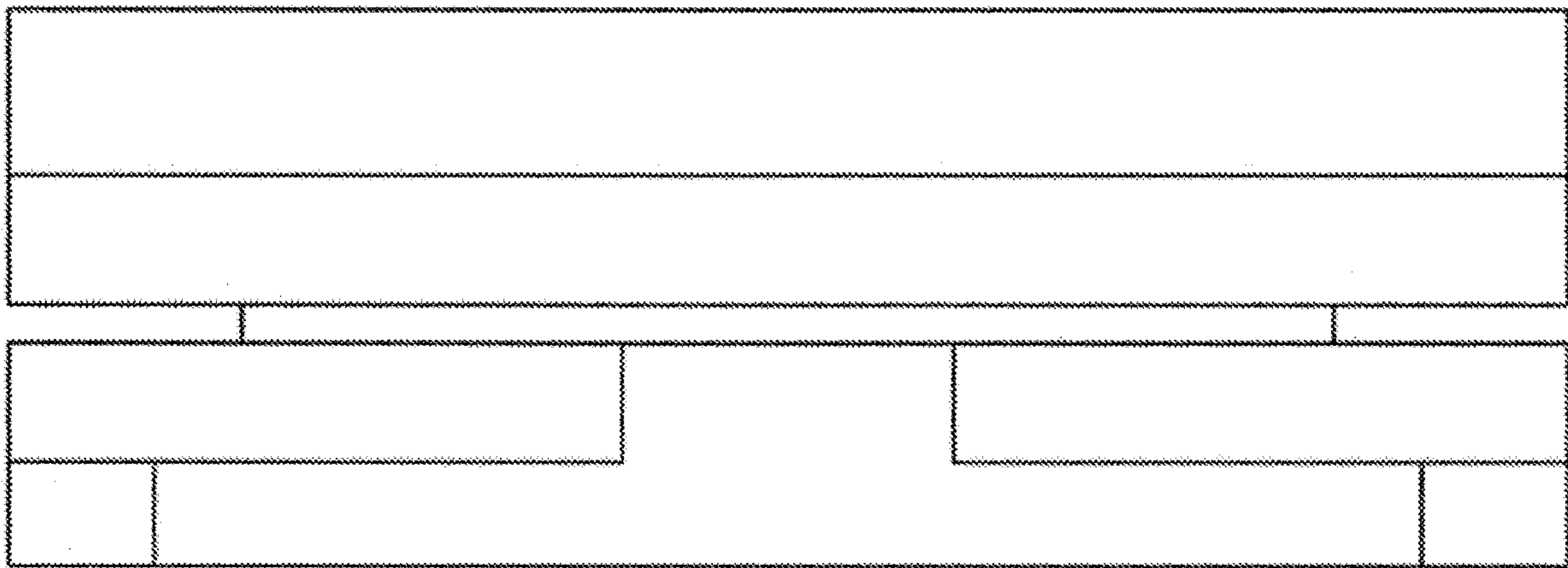


FIG. 5

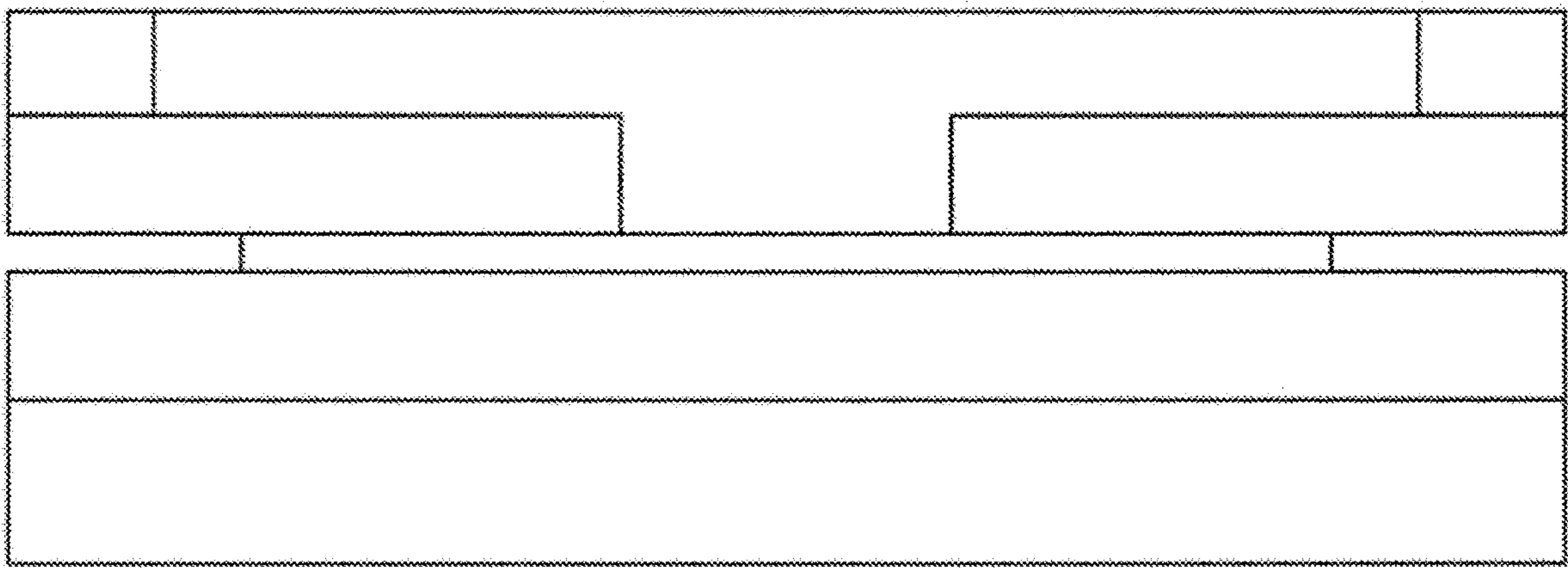


FIG. 6

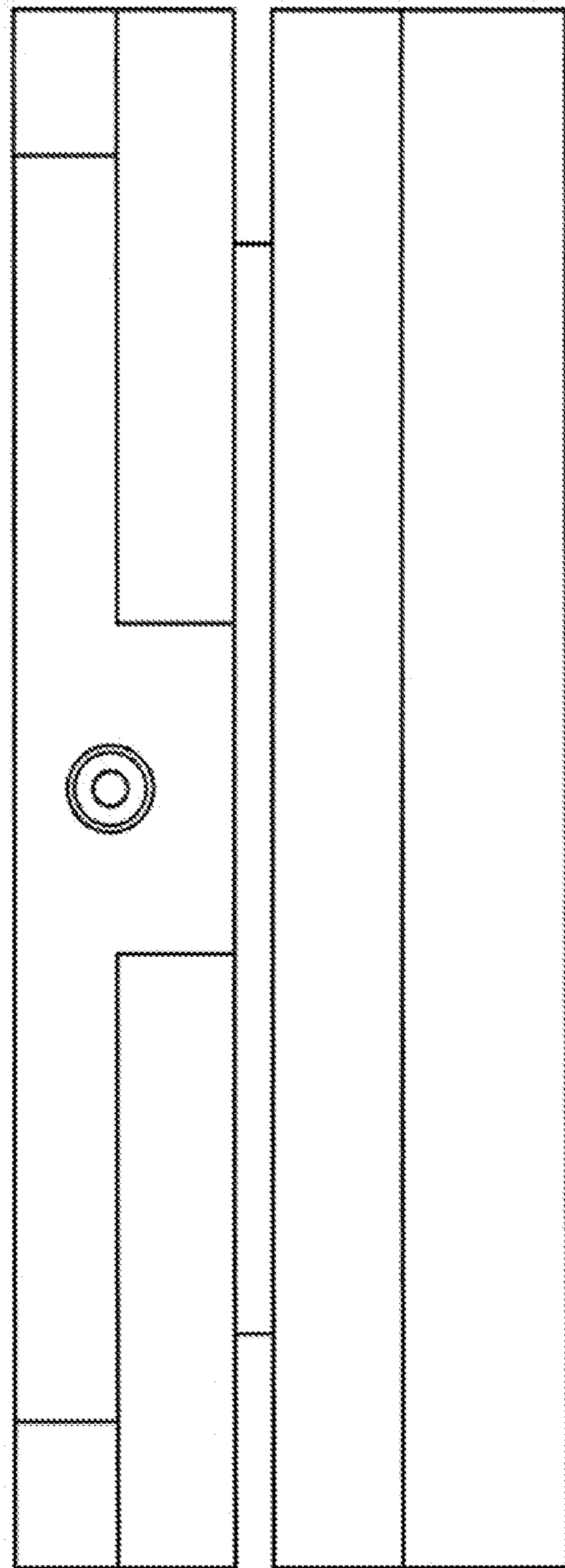


FIG. 7

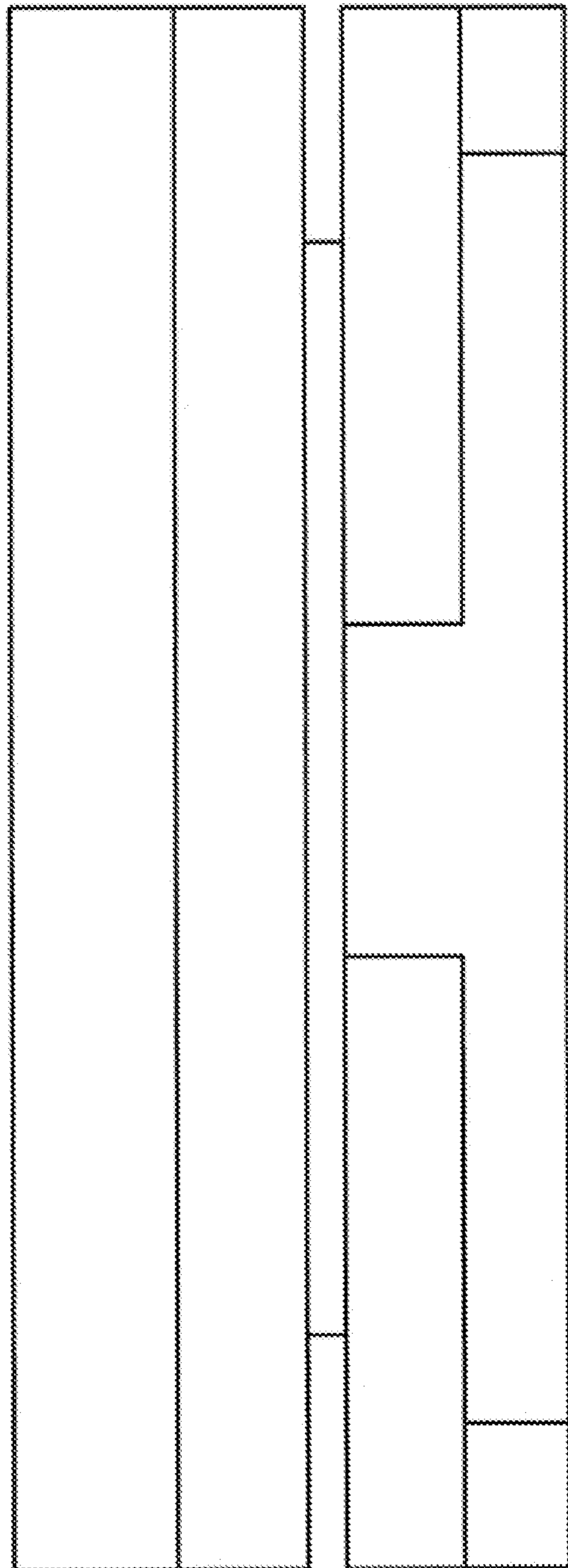


FIG. 8