



US00D900182S

(12) **United States Design Patent**
Haddadin et al.

(10) **Patent No.:** **US D900,182 S**

(45) **Date of Patent:** **** Oct. 27, 2020**

- (54) **GRIPPER FOR ROBOT**
- (71) Applicant: **Franka Emika GmbH**, Munich (DE)
- (72) Inventors: **Sami Haddadin**, Hannover (DE);
Tobias Ende, Munich (DE)
- (73) Assignee: **FRANKA EMIKA GMBH** (DE)
- (**) Term: **15 Years**
- (21) Appl. No.: **29/623,195**
- (22) Filed: **Oct. 23, 2017**
- (30) **Foreign Application Priority Data**
Apr. 23, 2017 (DE) 40 2017 000 536
- (51) **LOC (12) Cl.** **15-99**
- (52) **U.S. Cl.**
USPC **D15/199**
- (58) **Field of Classification Search**
USPC 15/199; 23/362, 366
CPC B25J 11/0045; B25J 15/08; B25J 15/024;
B65G 47/90
See application file for complete search history.

- (56) **References Cited**
U.S. PATENT DOCUMENTS
3,172,693 A * 3/1965 Hansen B66F 9/187
294/90
3,322,455 A * 5/1967 Gressbach B66C 1/422
294/104
4,461,608 A * 7/1984 Boda B65F 3/041
294/106
4,699,414 A * 10/1987 Jones B25J 15/026
294/119.1
4,725,087 A * 2/1988 Kato B25J 15/00
294/86.4
4,819,184 A * 4/1989 Jonsson G05B 19/373
700/250

- 4,888,708 A * 12/1989 Brantmark G05B 19/427
700/264
- 5,026,104 A * 6/1991 Pickrell B65F 3/046
294/106
- 5,398,983 A * 3/1995 Ahrens B65F 3/02
294/106
- 5,562,386 A * 10/1996 Browning B65F 3/04
414/406
- 5,582,397 A * 12/1996 Lanvin B23Q 3/103
269/152
- D459,806 S * 7/2002 Webb D24/133
- 6,644,906 B2 * 11/2003 Bayne B65F 1/1452
414/403
- D617,619 S * 6/2010 Bensussan D8/51
- 8,328,258 B2 * 12/2012 Kjol B66C 1/58
294/106

(Continued)

Primary Examiner — Patricia A Palasik
(74) *Attorney, Agent, or Firm* — Grossman, Tucker,
Perreault & Pfleger, PLLC

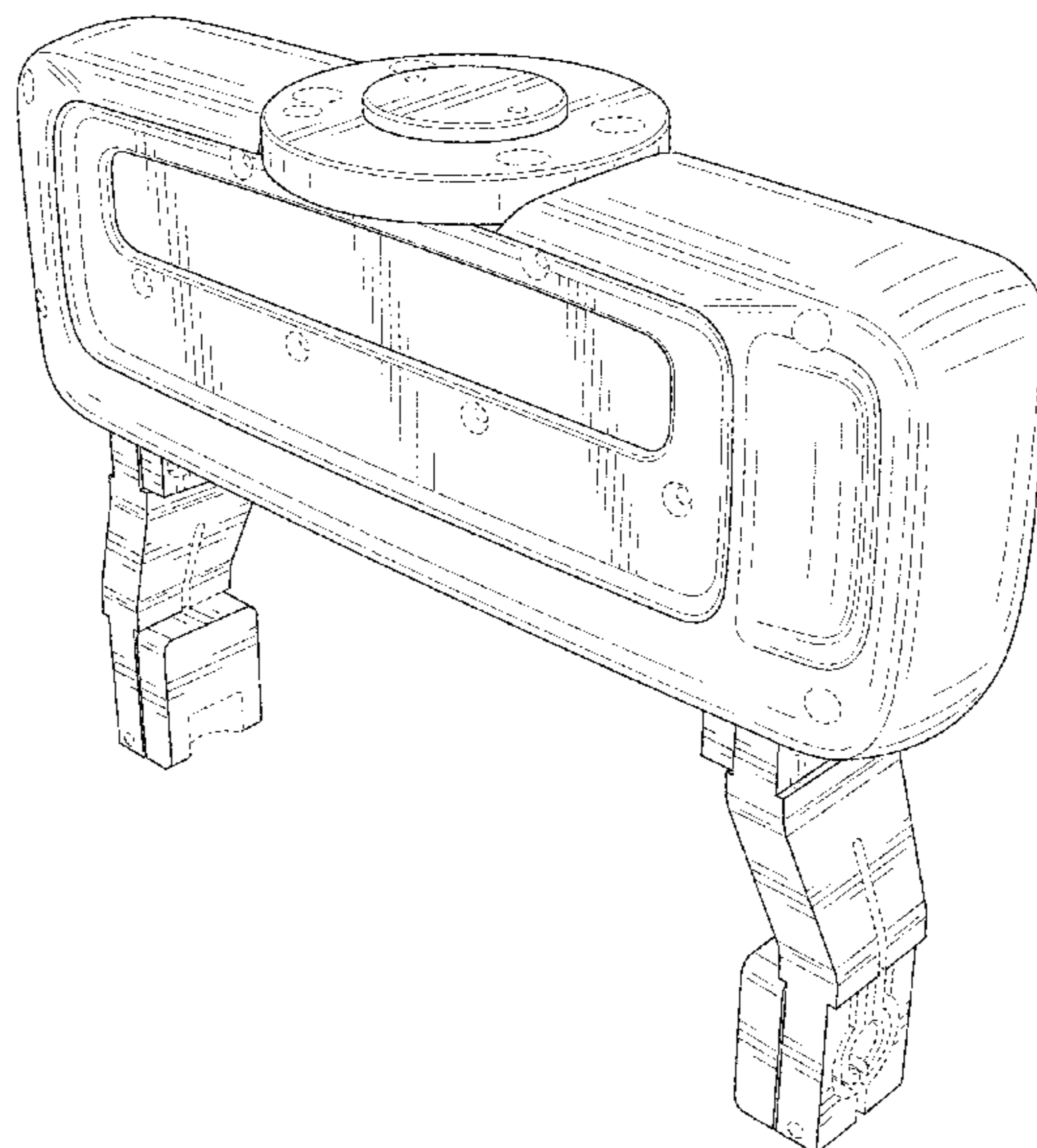
(57) **CLAIM**

The ornamental design for a gripper for robot, as shown and described.

DESCRIPTION

FIG. 1 is a front view of a gripper for robot of the present invention;
FIG. 2 is a rear view of the gripper for robot shown in FIG. 1;
FIG. 3 is a left side view of the gripper for robot shown in FIG. 1;
FIG. 4 is a right side view of the gripper for robot shown in FIG. 1;
FIG. 5 is a top view of the gripper for robot shown in FIG. 1; and,
FIG. 6 is a front perspective view of the gripper for robot shown in FIG. 1.
The broken lines in the drawings depict portions of the gripper for a robot that form no part of the claimed design.

1 Claim, 6 Drawing Sheets



(56)

References Cited

U.S. PATENT DOCUMENTS

8,474,893 B2 * 7/2013 Kawanami B25J 15/0213
294/106
9,912,130 B1 * 3/2018 Burns B25B 9/04
9,956,691 B1 * 5/2018 Pentzer B25J 15/12
D841,277 S * 2/2019 Chintalapalli Patta D34/35
2004/0070225 A1 * 4/2004 Meinicke B25J 15/00
294/86.4
2012/0146353 A1 * 6/2012 Lunde E21B 19/14
294/198
2015/0028609 A1 * 1/2015 Hansen B66C 1/108
294/81.55
2015/0063972 A1 * 3/2015 Girtman B25J 9/0093
414/796.9
2018/0318984 A1 * 11/2018 Tarbell B25B 9/04
2018/0330566 A1 * 11/2018 Sakhno G07F 13/065
2018/0345483 A1 * 12/2018 Sirkett B25J 9/1697
2018/0354130 A1 * 12/2018 Preisinger B25J 9/1664

* cited by examiner

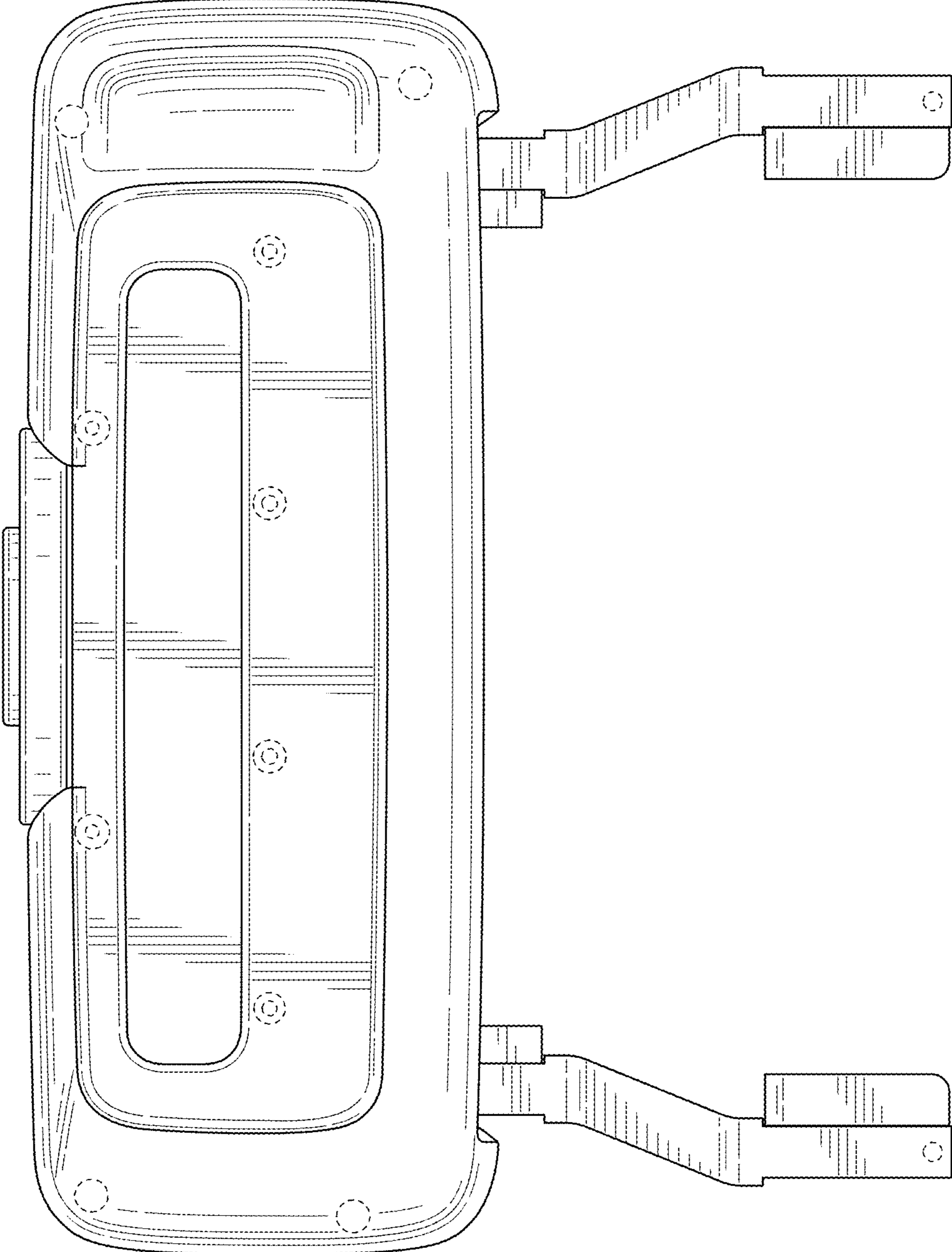


FIG. 1

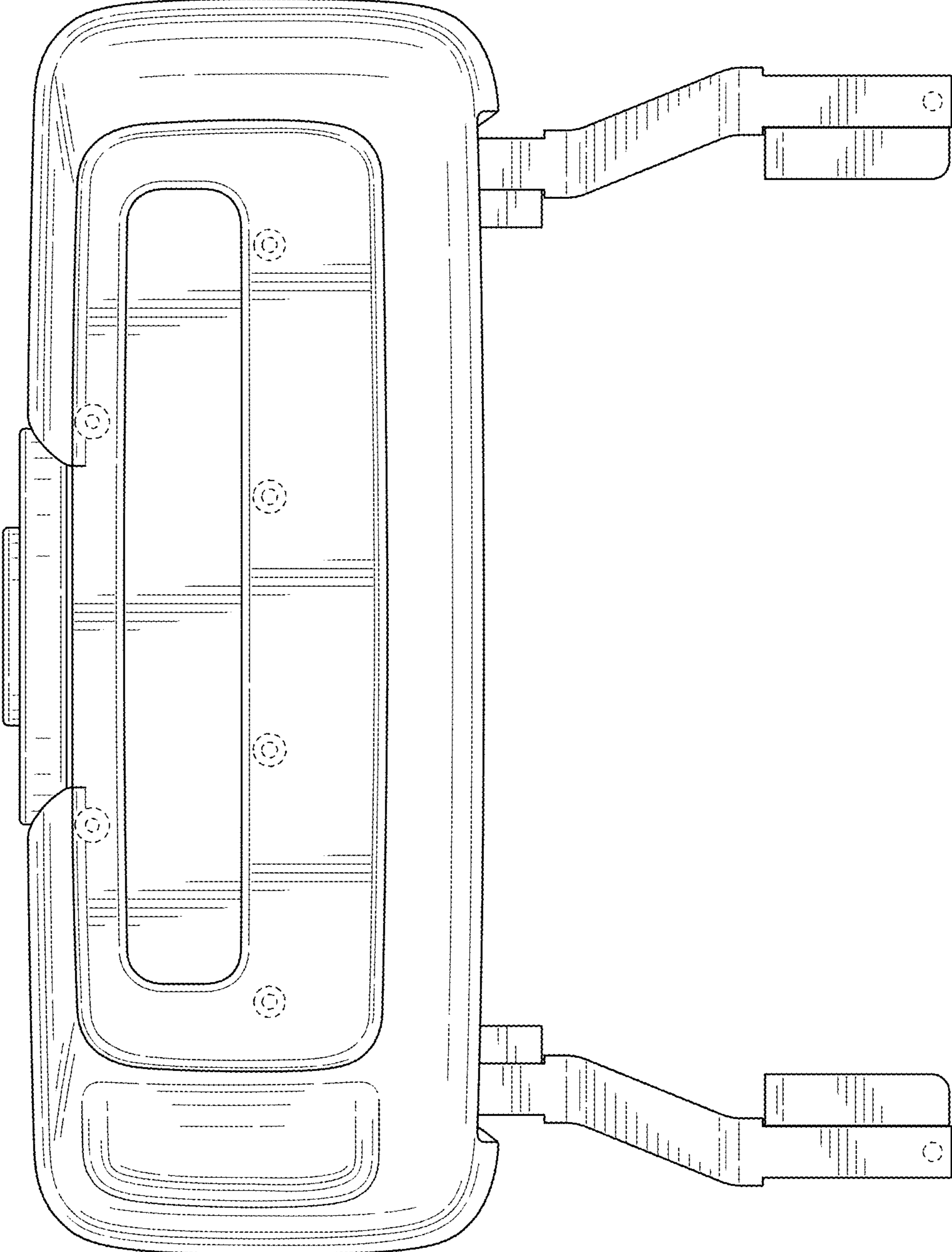


FIG. 2

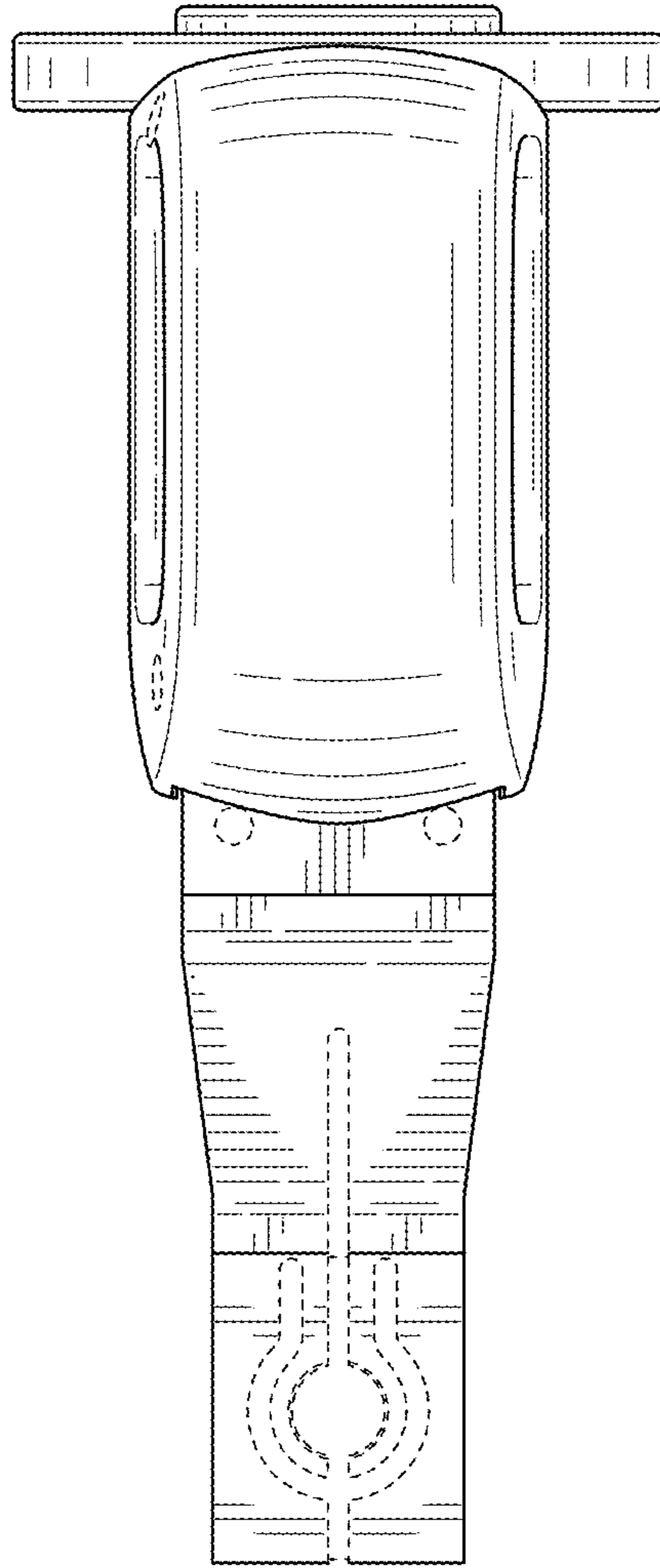


FIG. 3

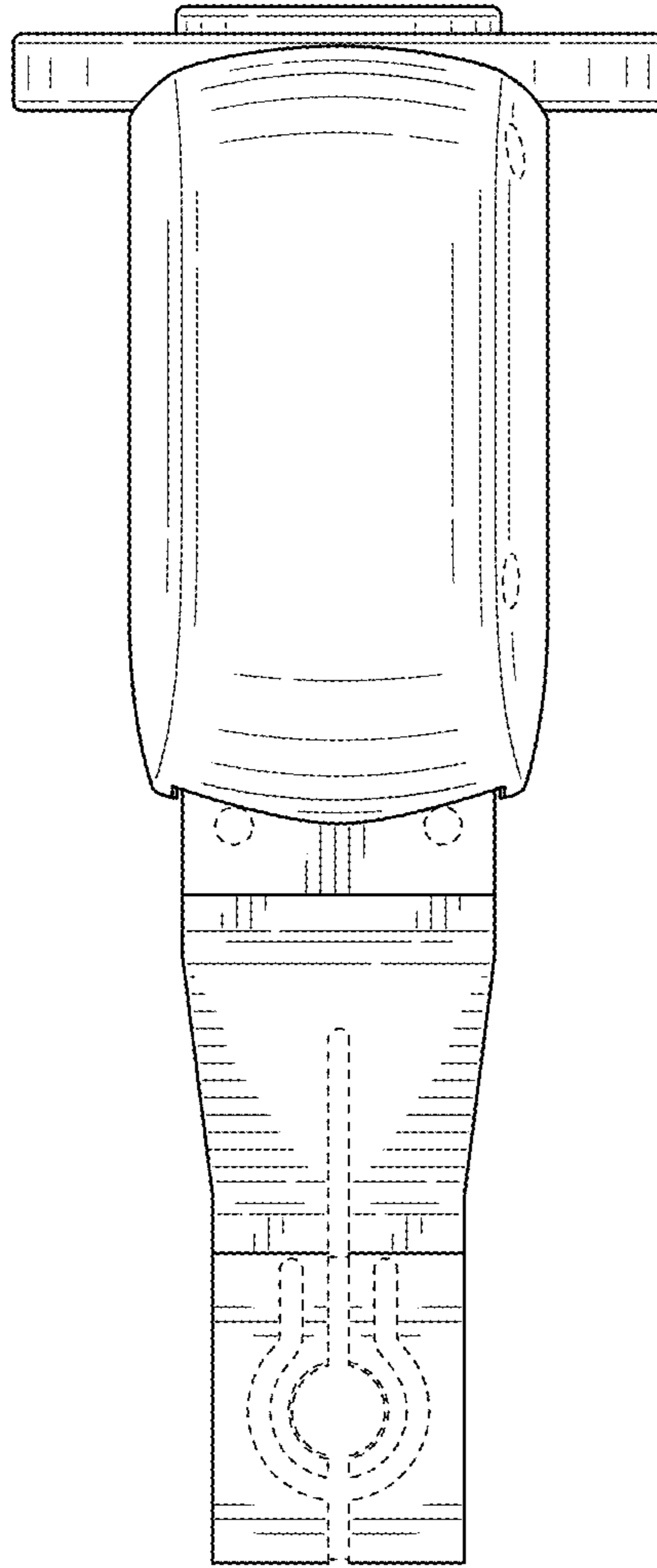


FIG. 4

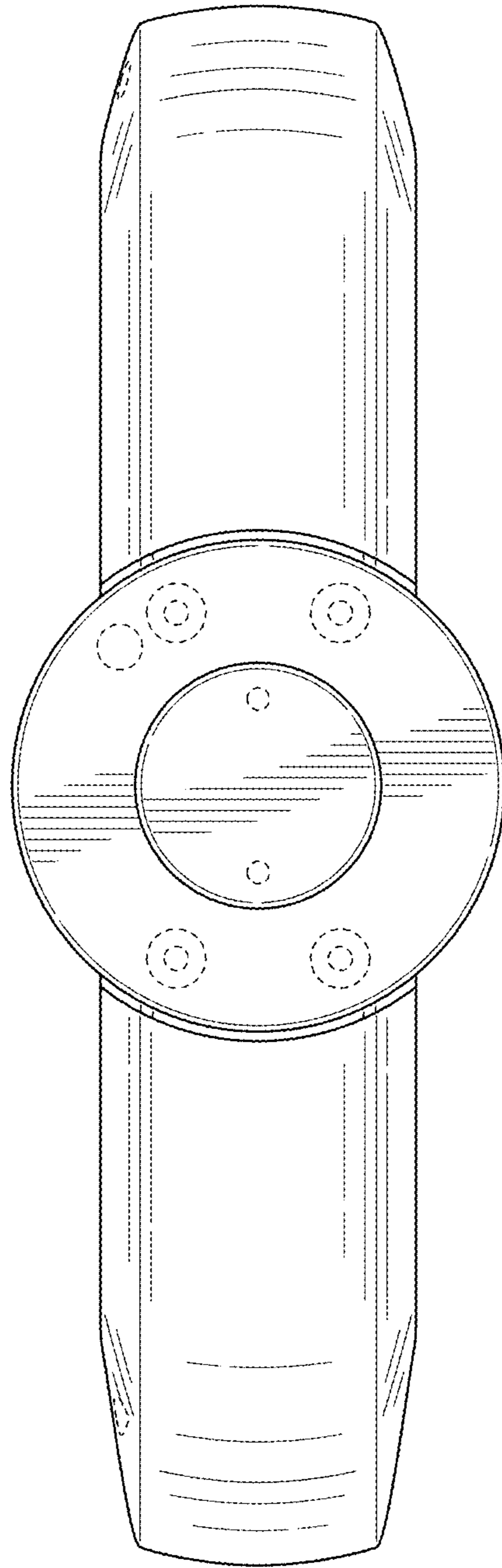


FIG. 5

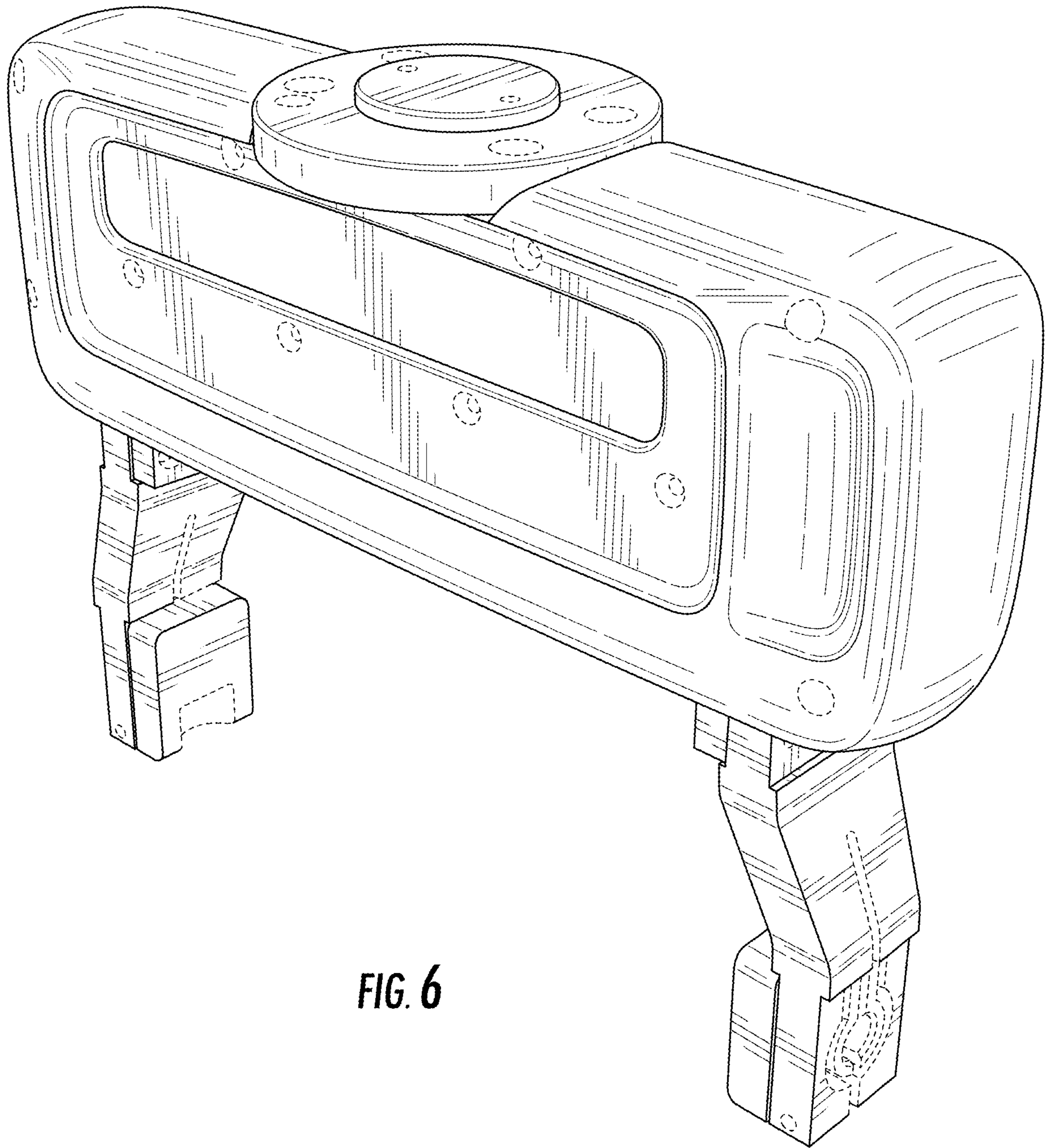


FIG. 6