



US00D900181S

(12) **United States Design Patent**
Pozzo

(10) **Patent No.:** **US D900,181 S**
(45) **Date of Patent:** **** Oct. 27, 2020**

(54) **GEARMOTOR**
(71) Applicant: **PMP PRO-MEC S.P.A.**, Coseano (UD)
(IT)
(72) Inventor: **Luigino Pozzo**, Coseano (IT)
(73) Assignee: **PMP PRO-MEC S.P.A.**, Coseano (UD)
(IT)
(**) Term: **15 Years**
(21) Appl. No.: **29/690,480**
(22) Filed: **May 8, 2019**
(30) **Foreign Application Priority Data**

Nov. 8, 2018 (EM) 005820263-0002

(51) **LOC (12) Cl.** **15-09**
(52) **U.S. Cl.**
USPC **D15/148**; D13/112
(58) **Field of Classification Search**
CPC B60L 11/14; B60L 11/123; B60K 6/442
See application file for complete search history.

(56) **References Cited**

U.S. PATENT DOCUMENTS

3,489,065 A * 1/1970 Bauer B62D 5/24
92/79
D819,709 S * 6/2018 Hunt D15/138
D855,022 S * 7/2019 Chen D13/112
D856,279 S * 8/2019 Chen D13/112
D857,628 S * 8/2019 Chen D13/112
2002/0185290 A1* 12/2002 Tang B25F 5/001
173/216
2004/0255704 A1* 12/2004 Liu F16H 57/08
74/7 E
2005/0151436 A1* 7/2005 Lantzy H02K 7/1163
310/99

2008/0056887 A1* 3/2008 Iannizzaro F04C 2/086
415/121.2
2008/0264202 A1* 10/2008 Mineshima F16H 1/145
74/606 R
2012/0152047 A1* 6/2012 Hu H02K 7/1166
74/411.5
2014/0060228 A1* 3/2014 Galea F16H 61/16
74/473.22
2016/0069449 A1* 3/2016 Kanai F16H 1/28
475/158
2016/0160991 A1* 6/2016 Buhn F16H 57/025
74/606 R
2016/0238108 A1* 8/2016 Kanai F16H 1/36
2018/0201158 A1* 7/2018 Hoffmann F16H 1/32
2018/0202226 A1* 7/2018 Georgeault E06B 9/32
2019/0234517 A1* 8/2019 Schoening F16J 15/344
2020/0067432 A1* 2/2020 Herrada H02K 29/08
2020/0099274 A1* 3/2020 Watrin H02K 5/04
2020/0231203 A1* 7/2020 Reifschneider B62D 5/0421

* cited by examiner

Primary Examiner — Patricia A Palasik
(74) *Attorney, Agent, or Firm* — Egbert Law Offices,
PLLC

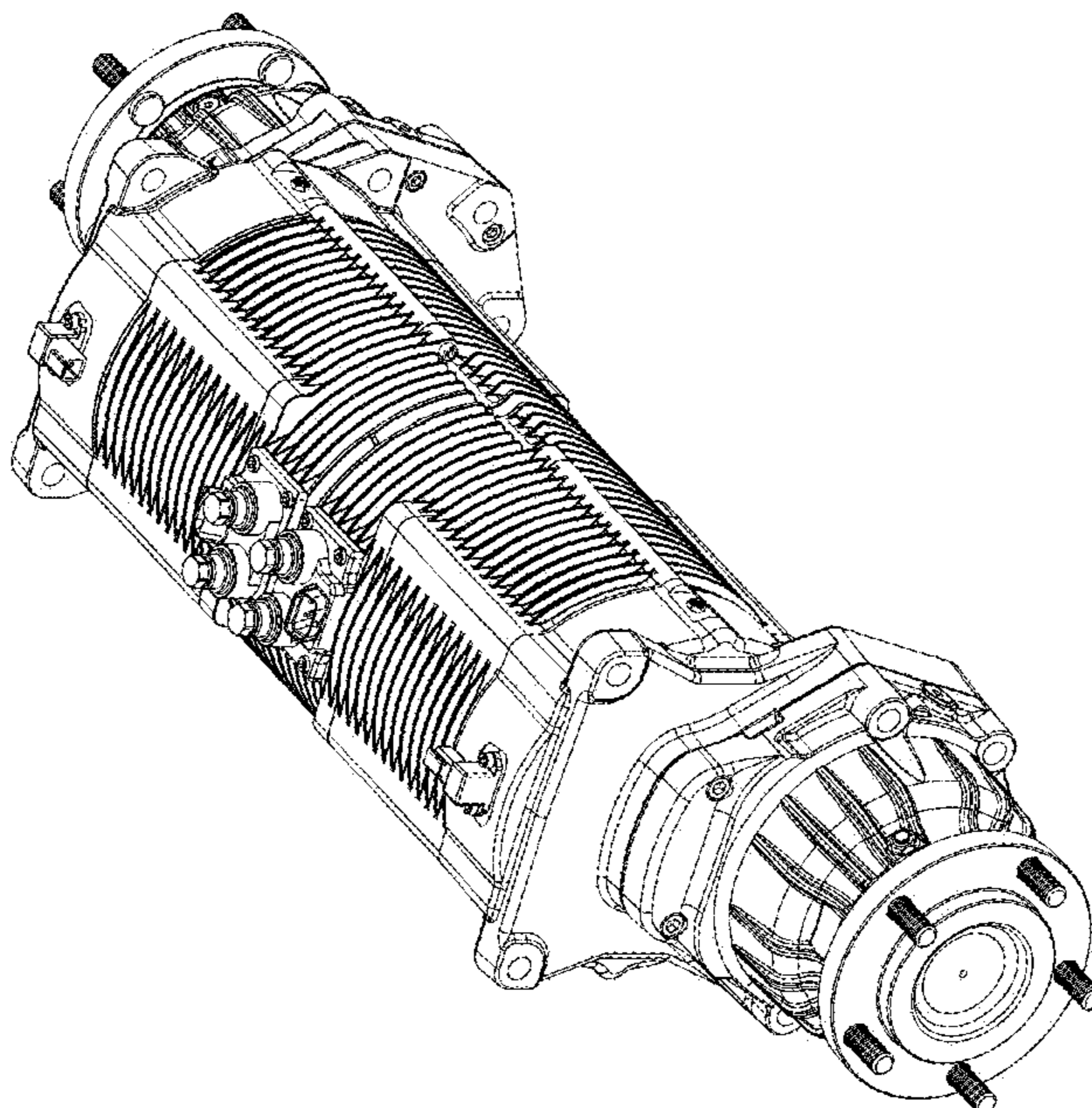
(57) **CLAIM**

The ornamental design for a gearmotor, as shown and described.

DESCRIPTION

FIG. 1 is a front perspective view of a gearmotor showing my new design, a rear perspective view being identical.
FIG. 2 is a front view thereof;
FIG. 3 is a top view thereof;
FIG. 4 is a side view thereof;
FIG. 5 is an opposite side view thereof;
FIG. 6 is a rear view thereof; and,
FIG. 7 is a bottom view thereof.

1 Claim, 7 Drawing Sheets



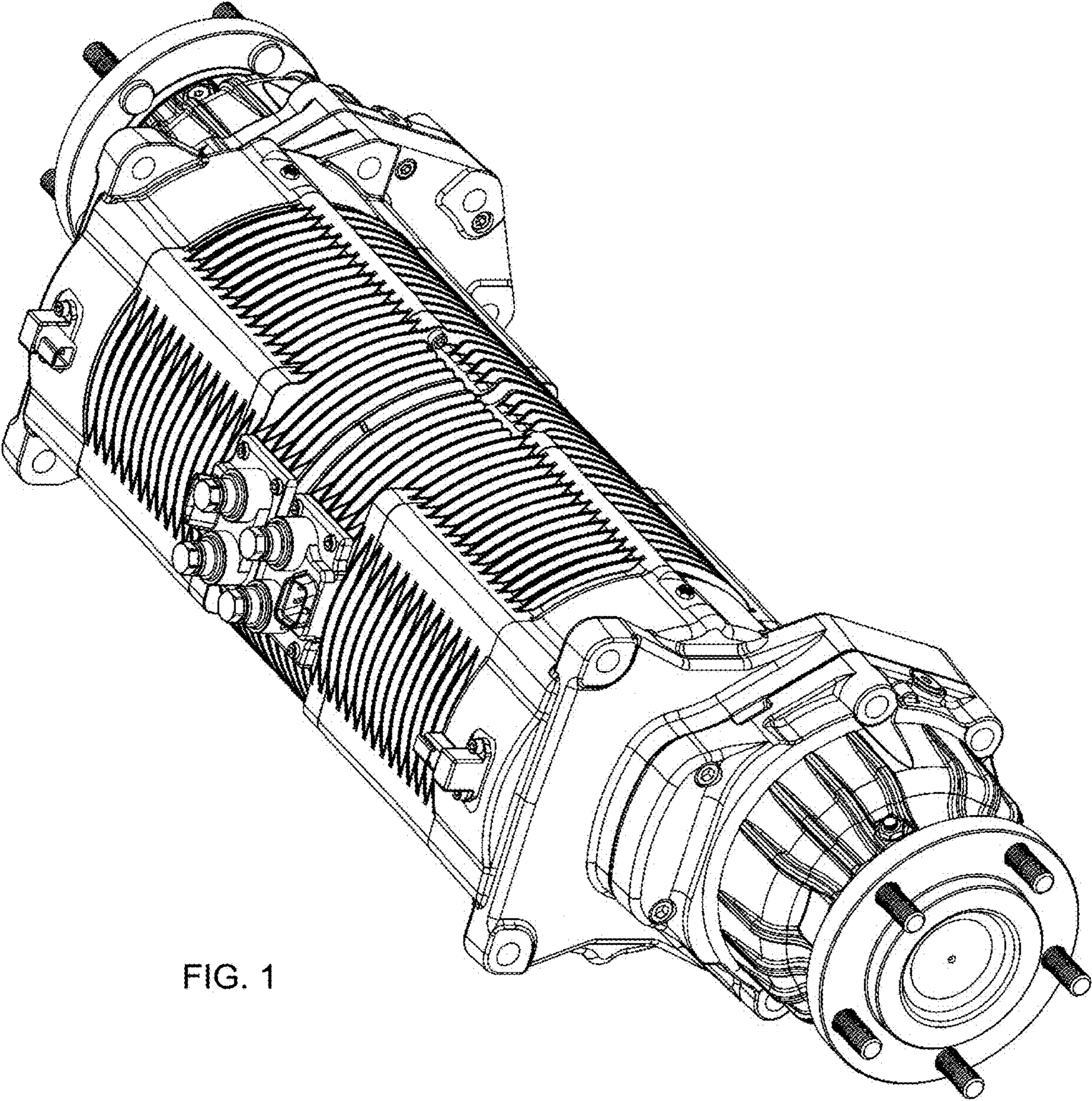


FIG. 1

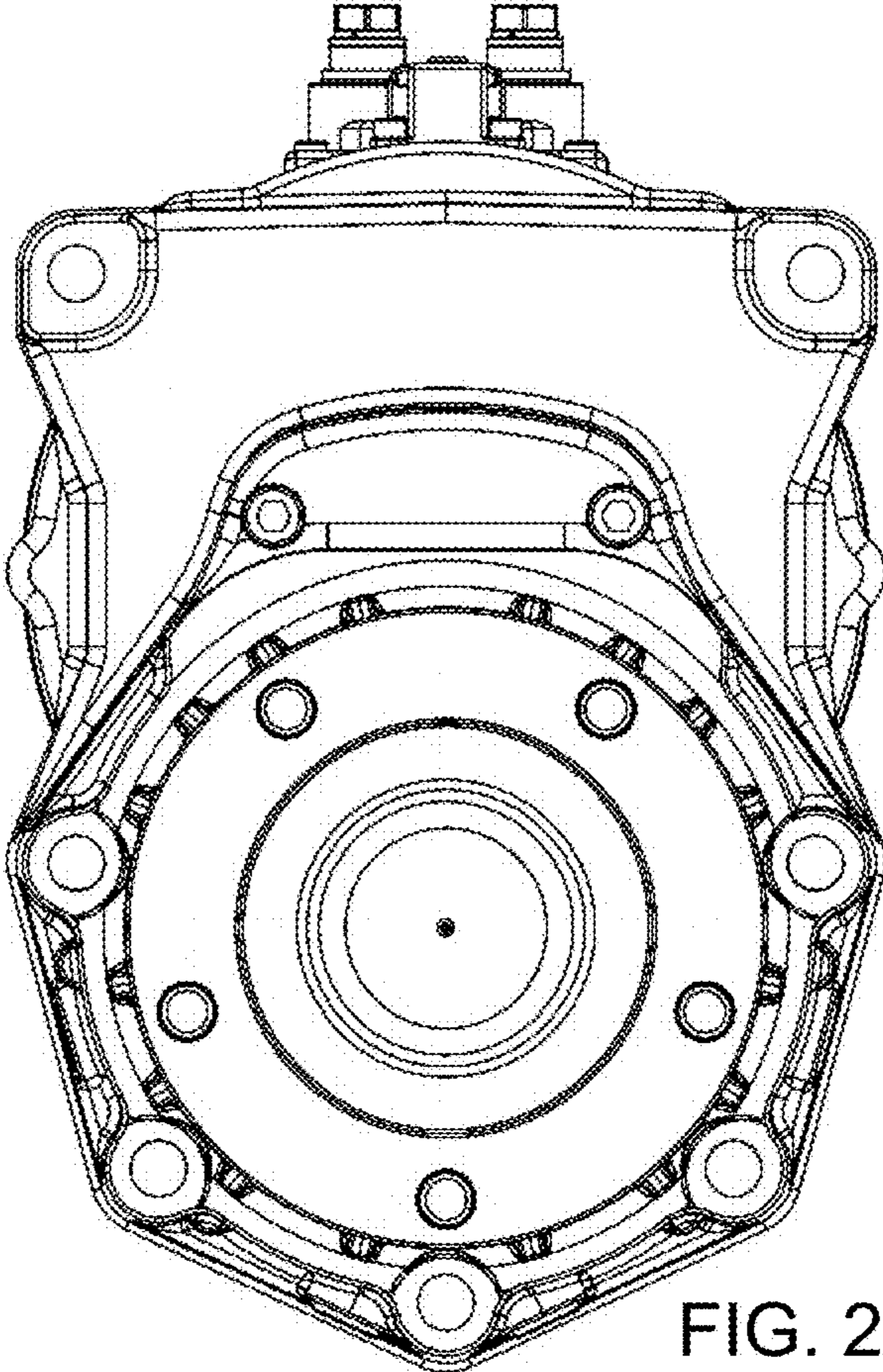


FIG. 2

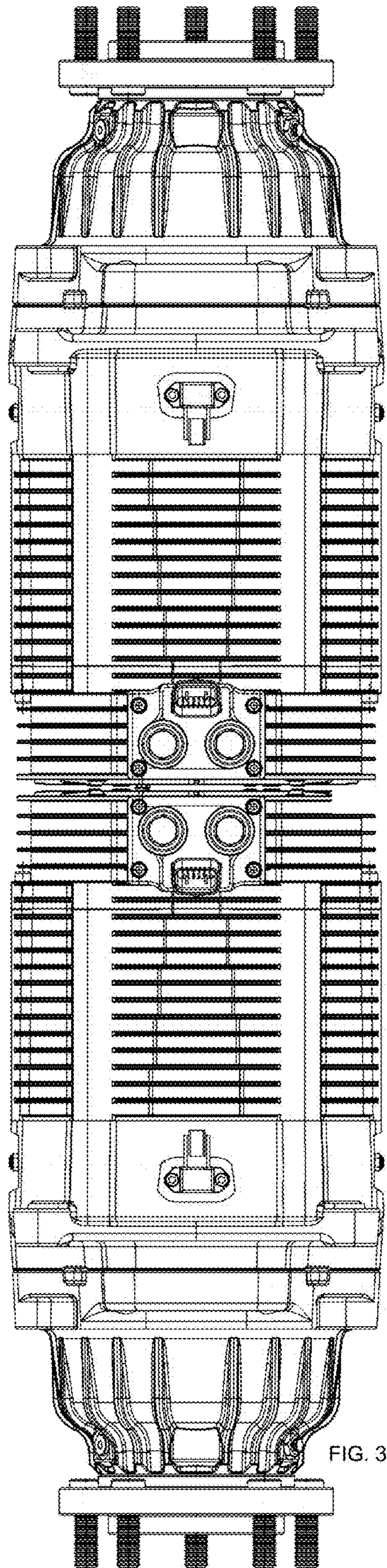


FIG. 3

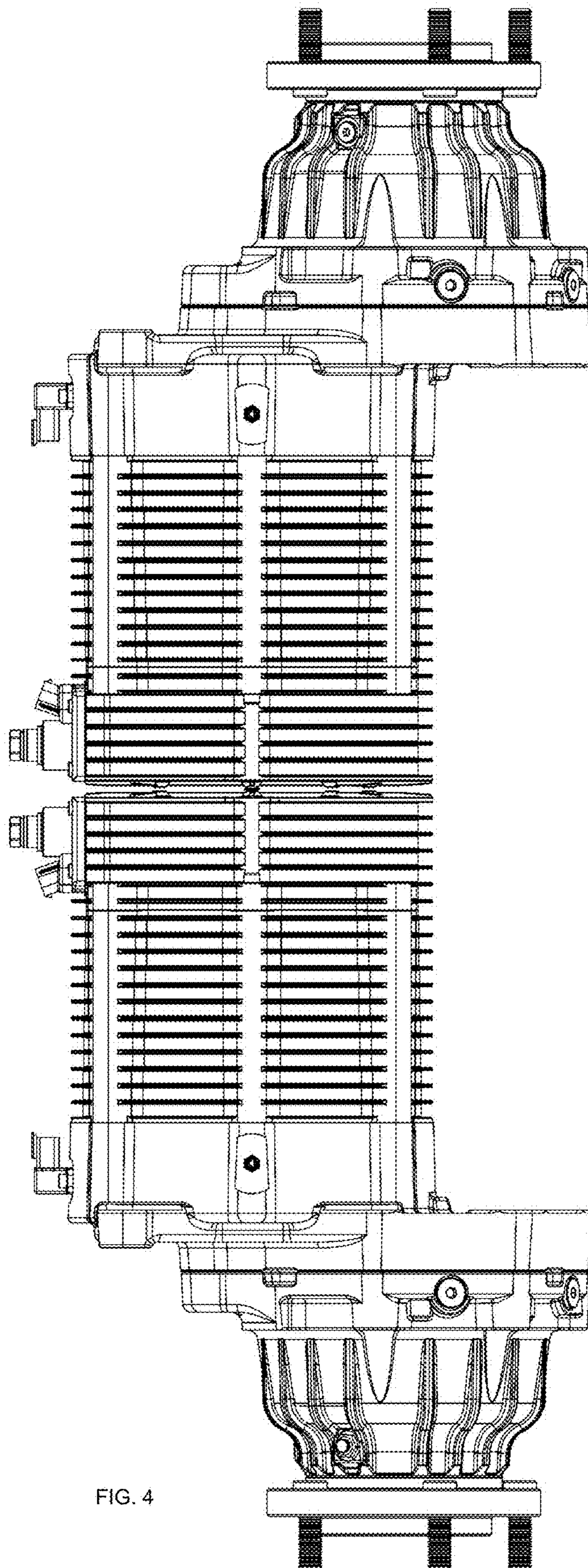


FIG. 4

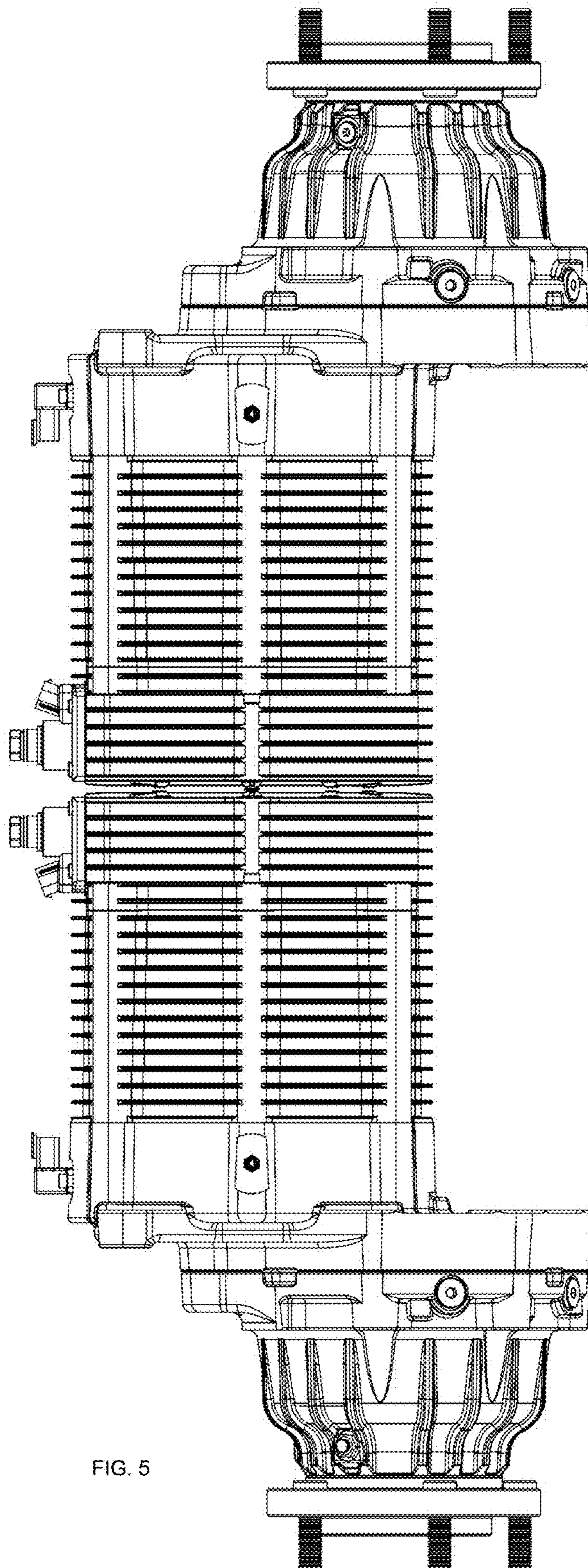


FIG. 5

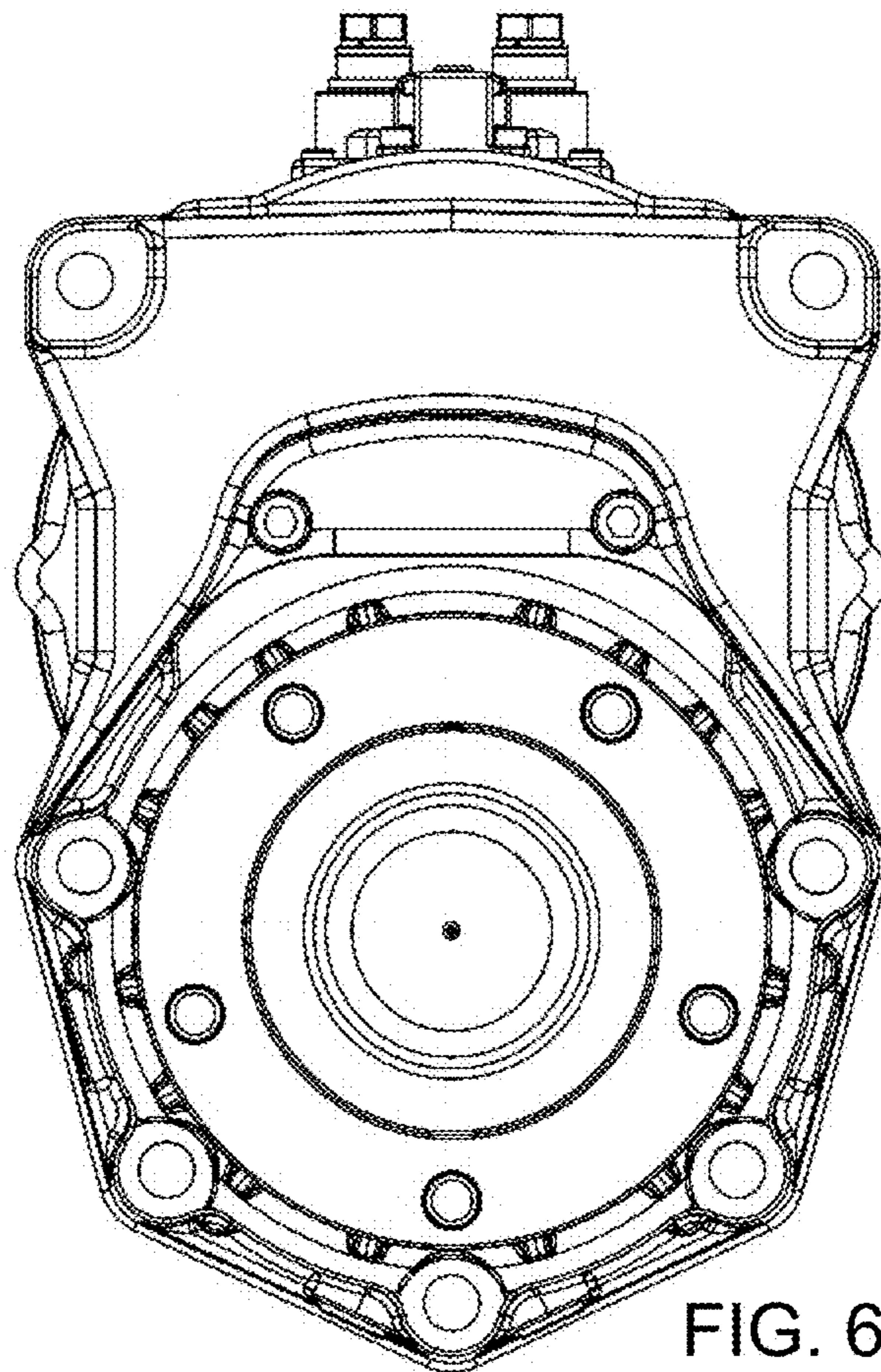


FIG. 6

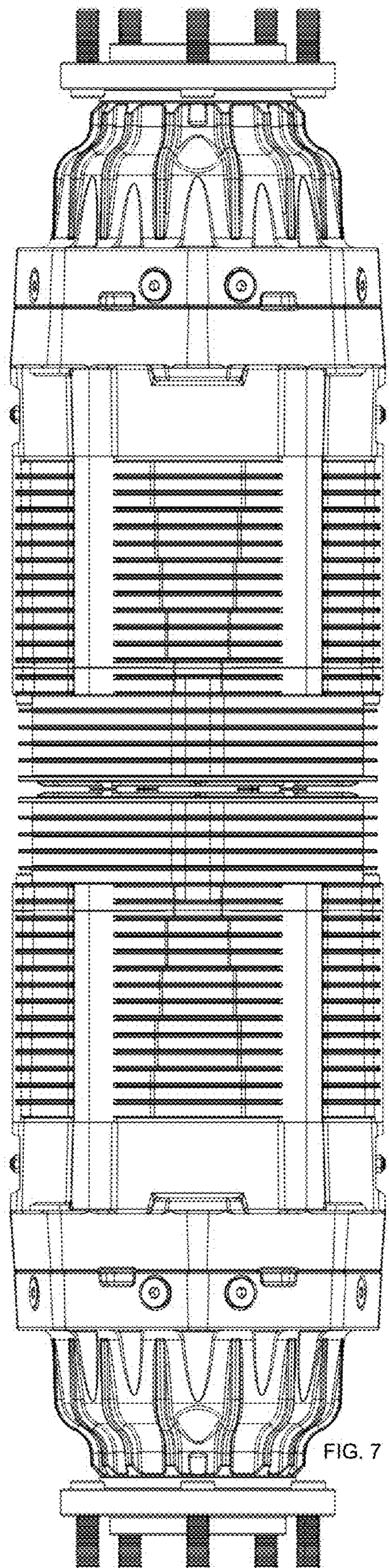


FIG. 7