



US00D900174S

(12) **United States Design Patent**  
**Igarashi et al.**

(10) **Patent No.:** **US D900,174 S**

(45) **Date of Patent:** **\*\* Oct. 27, 2020**

(54) **CORE FOR ROTARY ELECTRIC MACHINE**

FOREIGN PATENT DOCUMENTS

(71) Applicants: **SUMITOMO ELECTRIC SINTERED ALLOY, LTD.**,  
Takahashi-shi (JP); **Sumitomo Electric Industries, Ltd.**, Osaka-shi (JP)

JP 2011-030334 A 2/2011  
JP 2011-091933 A 5/2011

*Primary Examiner* — Patricia A Palasik  
(74) *Attorney, Agent, or Firm* — Baker Botts L.L.P.;  
Michael A. Sartori

(72) Inventors: **Naoto Igarashi**, Itami (JP); **Shinichi Hirono**, Itami (JP); **Tomoyuki Ueno**, Itami (JP); **Asako Watanabe**, Itami (JP)

(57) **CLAIM**

The ornamental design for a core for rotary electric machine, as shown and described.

(73) Assignees: **Sumitomo Electric Sintered Alloy, Ltd.**, Takahashi-shi (JP); **Sumitomo Electric Industries, Ltd.**, Osaka-shi (JP)

**DESCRIPTION**

(\*\*) Term: **15 Years**

FIG. 1 is a perspective view of a first embodiment of a core for rotary electric machine showing our new design;

(21) Appl. No.: **29/663,941**

FIG. 2 is a front view thereof

(22) Filed: **Sep. 20, 2018**

FIG. 3 is a rear view thereof;

**Related U.S. Application Data**

FIG. 4 is a left side view thereof;

(62) Division of application No. 29/584,908, filed on Nov. 18, 2016, now Pat. No. Des. 841,703.

FIG. 5 is a right side view thereof;

(30) **Foreign Application Priority Data**

FIG. 6 is a top view thereof;

May 19, 2016 (JP) ..... 2016-010705

FIG. 7 is a bottom view thereof

May 19, 2016 (JP) ..... 2016-010706

FIG. 8 is a cross-sectional view thereof taken along the line 8-8 in FIG. 6;

(Continued)

FIG. 9 is a perspective view of usage;

(51) **LOC (12) Cl.** ..... **15-09**

FIG. 10 is a perspective view of a second embodiment of a core for rotary electric machine showing our new design;

(52) **U.S. Cl.**

FIG. 11 is a front view thereof;

USPC ..... **D15/138**

FIG. 12 is a rear view thereof;

(58) **Field of Classification Search**

FIG. 13 is a left side view thereof;

USPC ..... D15/126, 138, 141

FIG. 14 is a right side view thereof;

(Continued)

FIG. 15 is a top view thereof;

(56) **References Cited**

FIG. 16 is a bottom view thereof;

**U.S. PATENT DOCUMENTS**

FIG. 17 is a cross-sectional view thereof taken along the line 17-17 in FIG. 15; and,

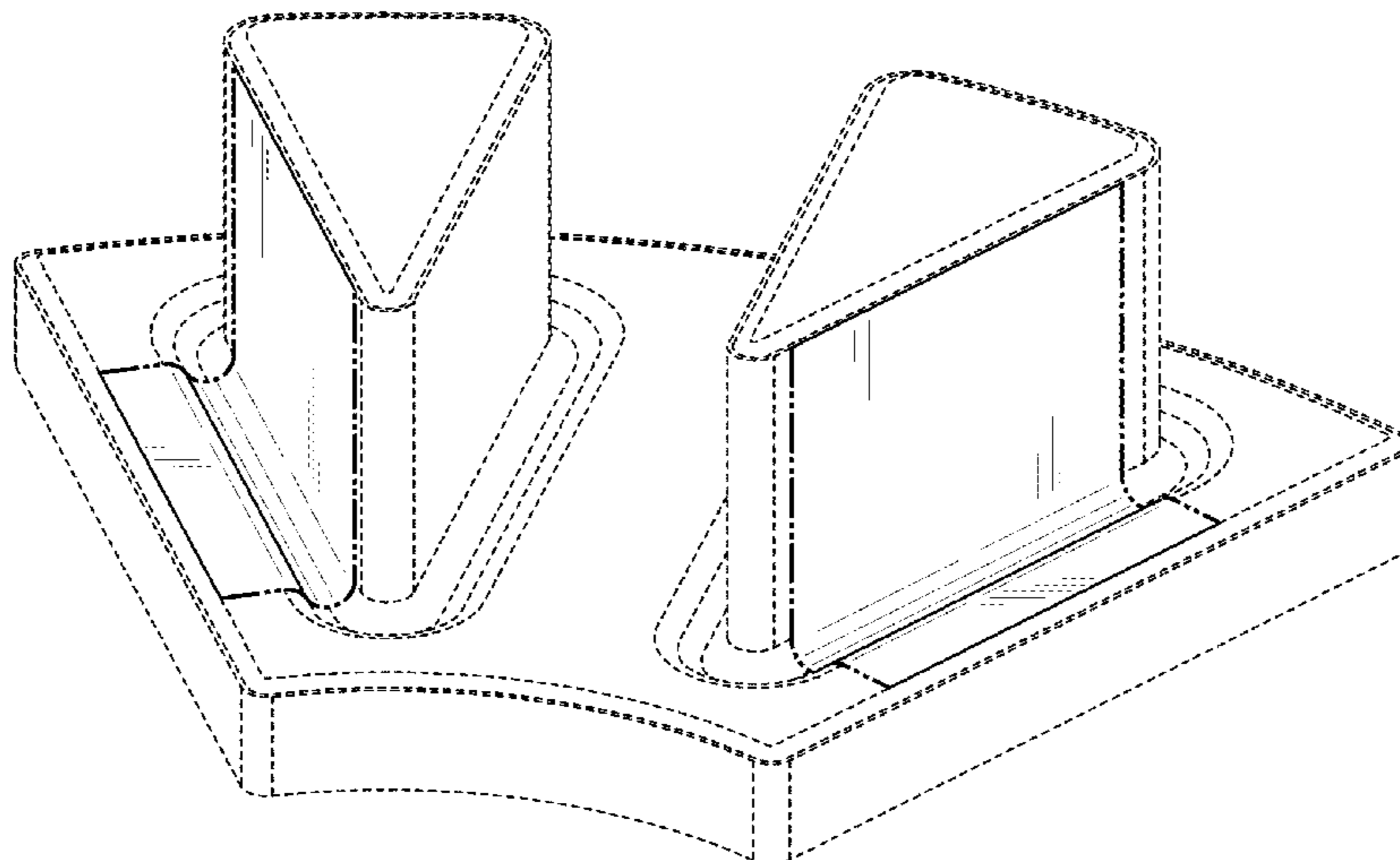
D443,585 S 6/2001 Shida et al.  
D552,543 S 10/2007 Su

FIG. 18 is a perspective view of usage.

(Continued)

The broken lines in the figures are included for the purpose of illustrating the unclaimed portions of the core for rotary electric machine and form no part of the claimed design. The dot-dash lines define the bounds of the claimed design and form no part thereof.

**1 Claim, 18 Drawing Sheets**



(30) **Foreign Application Priority Data**

May 19, 2016 (JP) ..... 2016-010707  
May 19, 2016 (JP) ..... 2016-010708

(58) **Field of Classification Search**

CPC ..... H02K 1/28; H02K 1/278; H02K 15/03  
See application file for complete search history.

(56) **References Cited**

U.S. PATENT DOCUMENTS

D576,185 S 9/2008 Park  
D586,747 S 2/2009 Yoshikawa et al.  
D587,197 S 2/2009 Yoshikawa et al.  
D596,566 S 7/2009 Li et al.  
D612,804 S 3/2010 Schmeisser  
D613,245 S 4/2010 Honna  
D795,349 S 8/2017 Zekelman et al.  
D797,168 S 9/2017 Ruan  
D841,703 S \* 2/2019 Igarashi ..... D15/138  
2005/0179336 A1 8/2005 Hasebe et al.  
2006/0006758 A1 1/2006 Yamada  
2008/0278019 A1 11/2008 Lu et al.  
2010/0207477 A1 8/2010 Asano  
2010/0259125 A1 10/2010 Asano et al.  
2011/0095628 A1 4/2011 Enomoto et al.  
2011/0316381 A1 12/2011 Asano et al.  
2014/0252892 A1 9/2014 De Filippis et al.  
2016/0065020 A1 3/2016 Tokoi et al.  
2017/0126108 A1 5/2017 Tokoi et al.  
2017/0163112 A1 6/2017 Tokoi et al.

\* cited by examiner

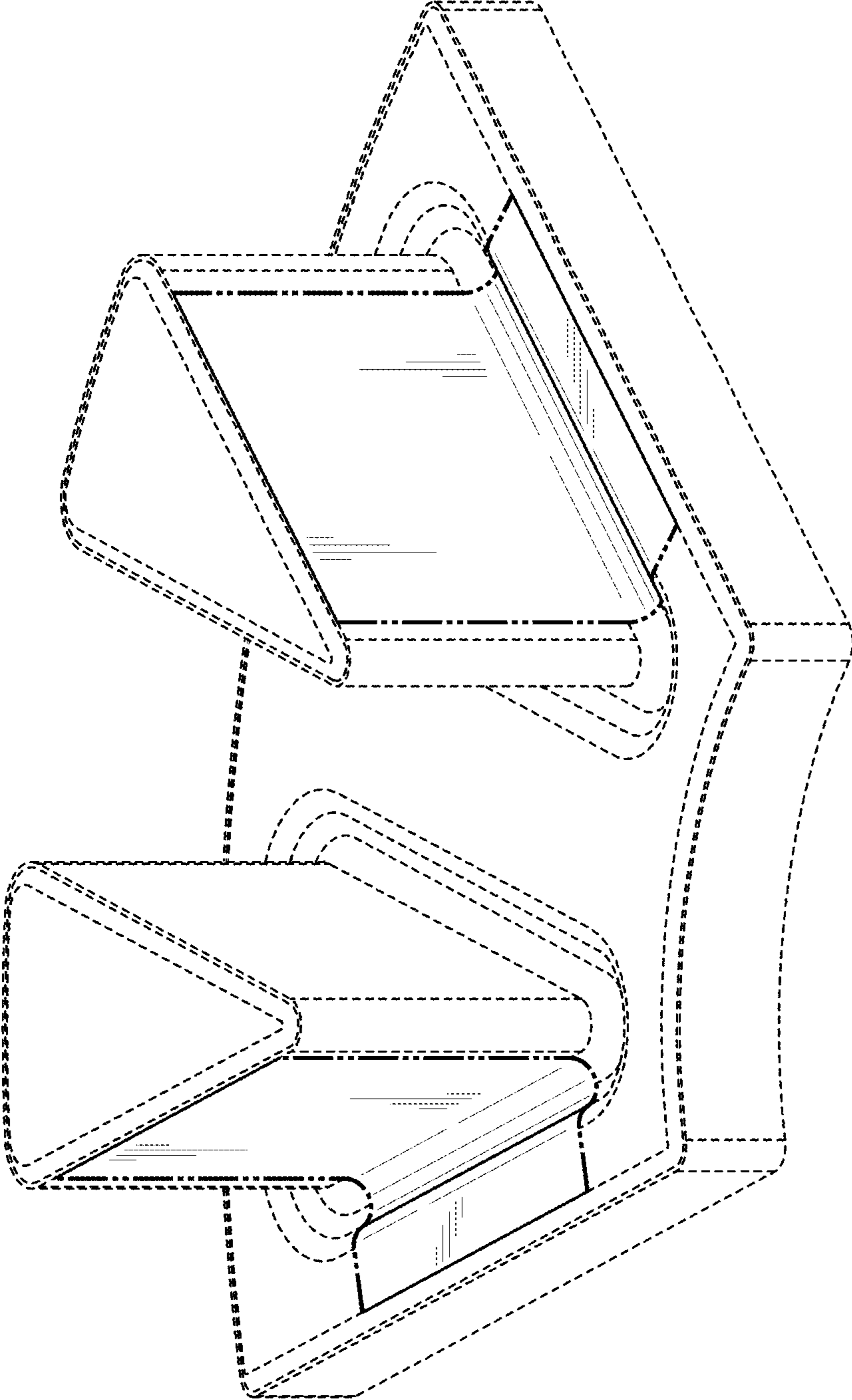


FIG. 1

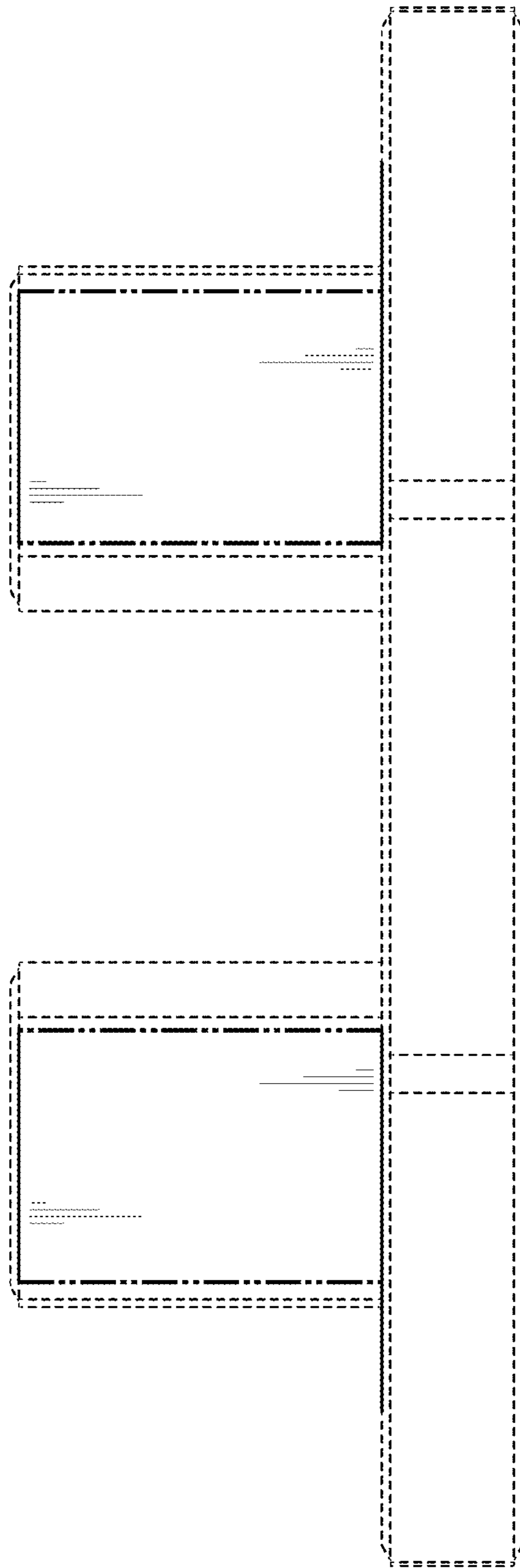


FIG. 2

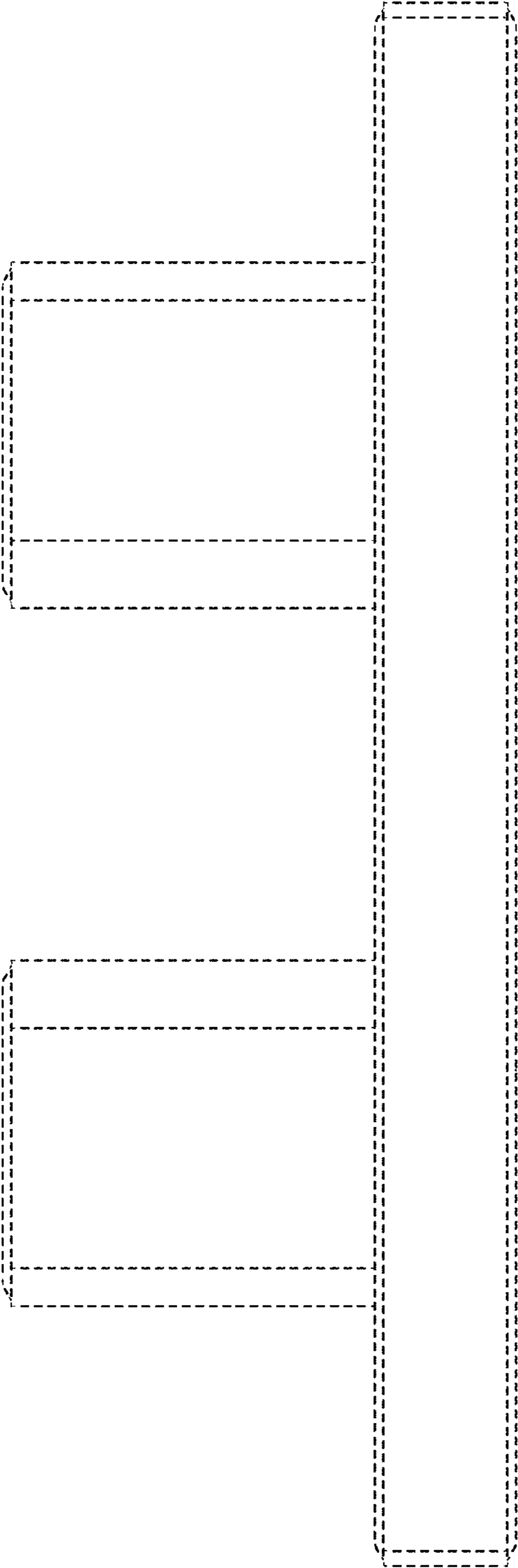


FIG. 3

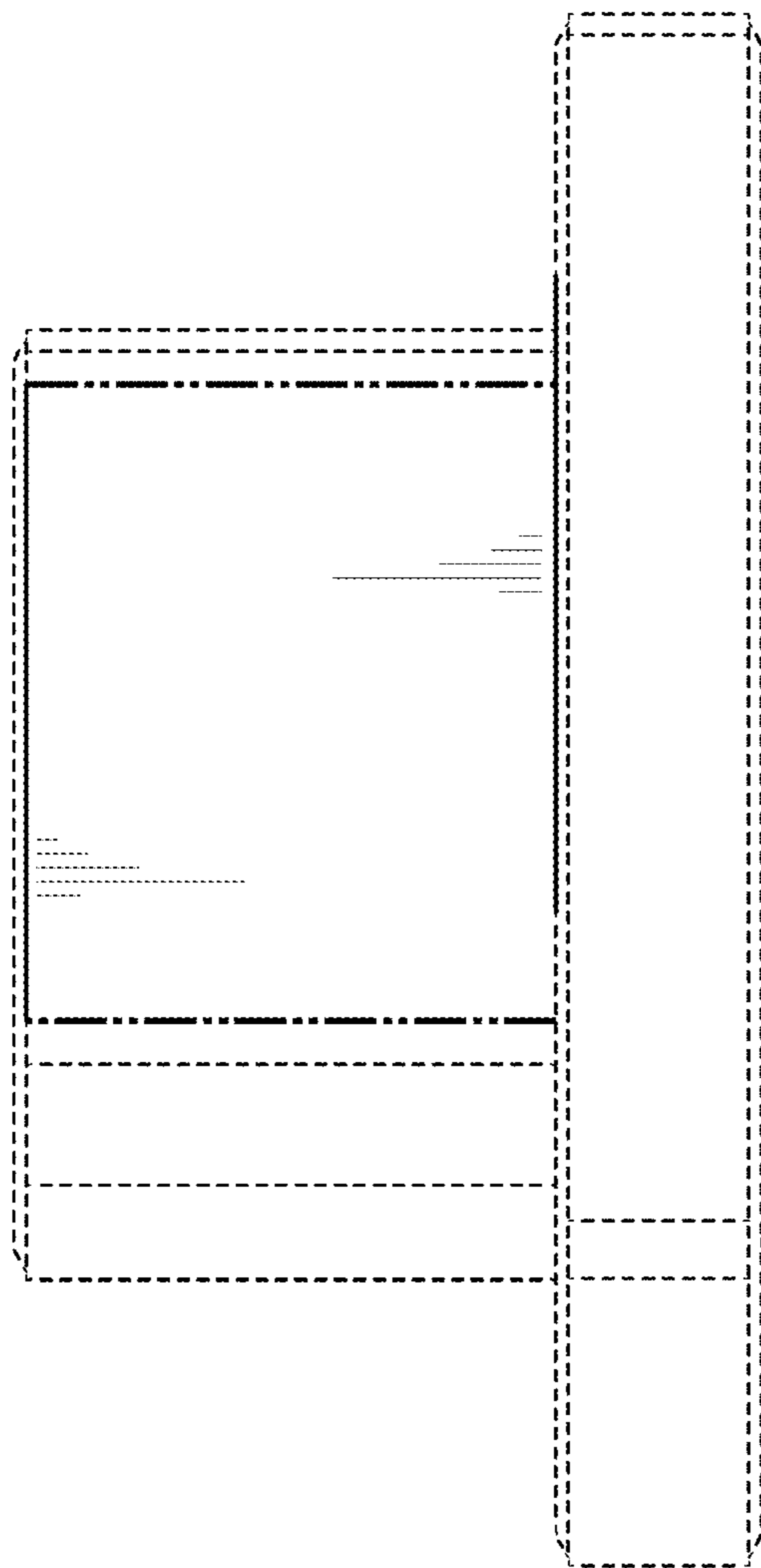


FIG. 4

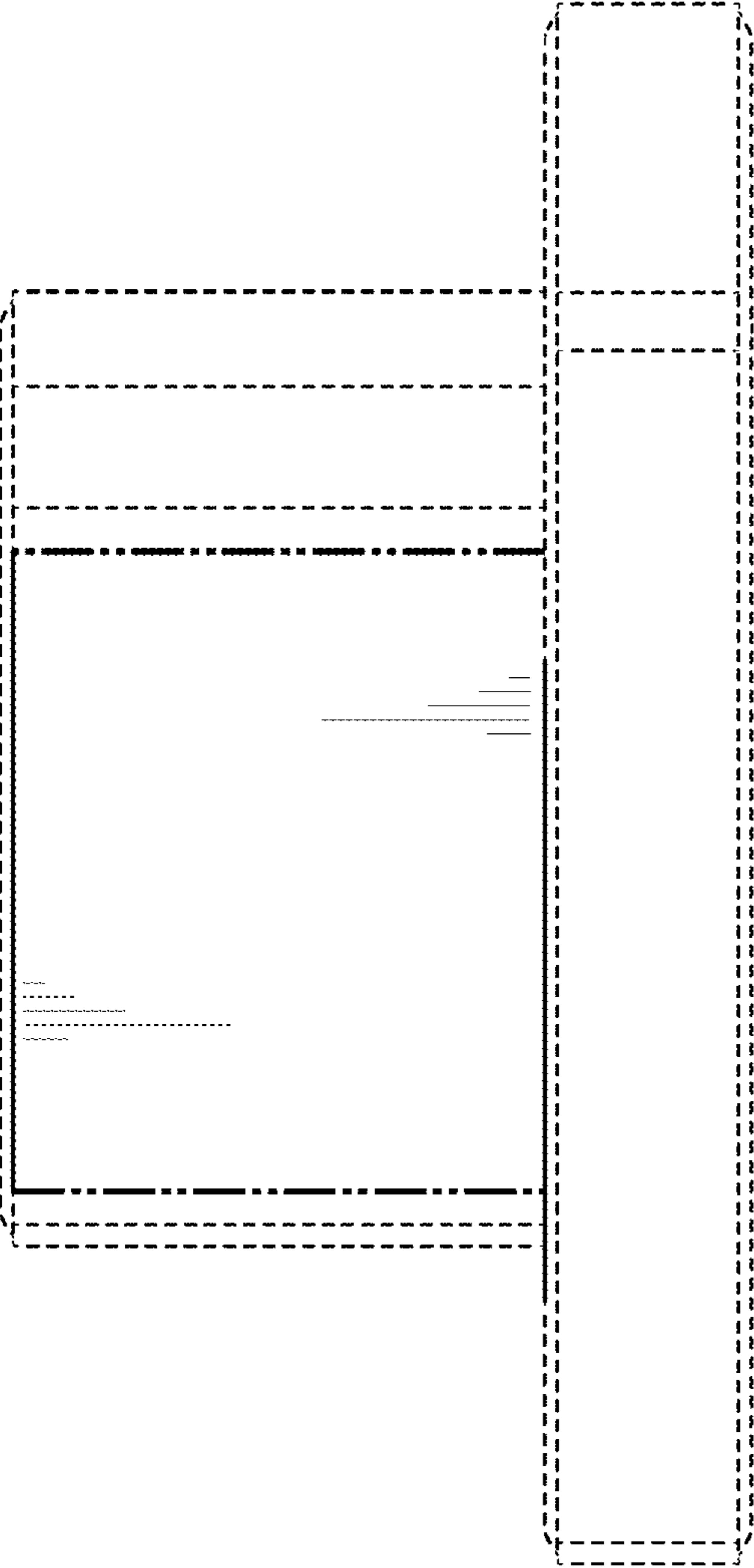


FIG. 5

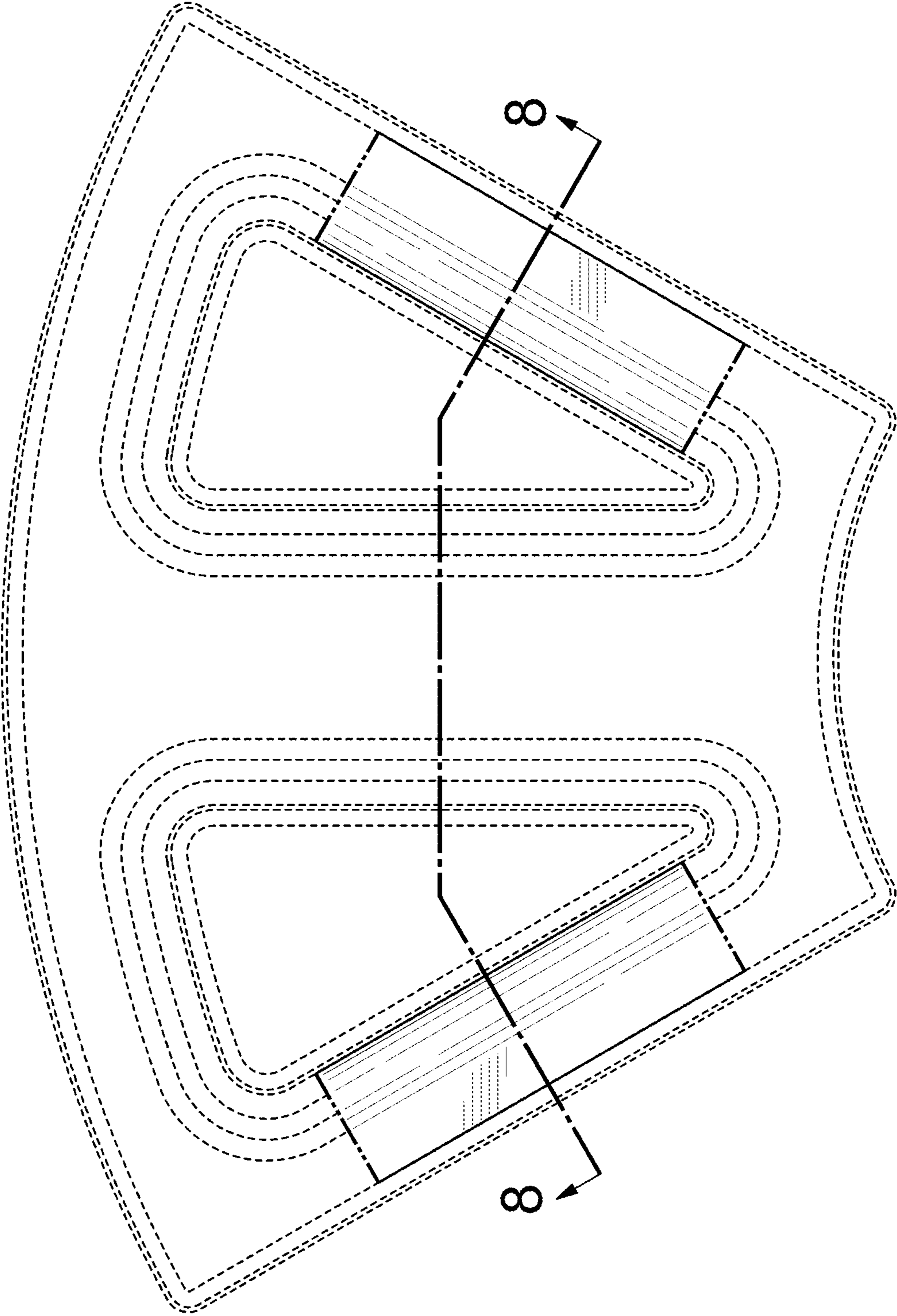


FIG. 6



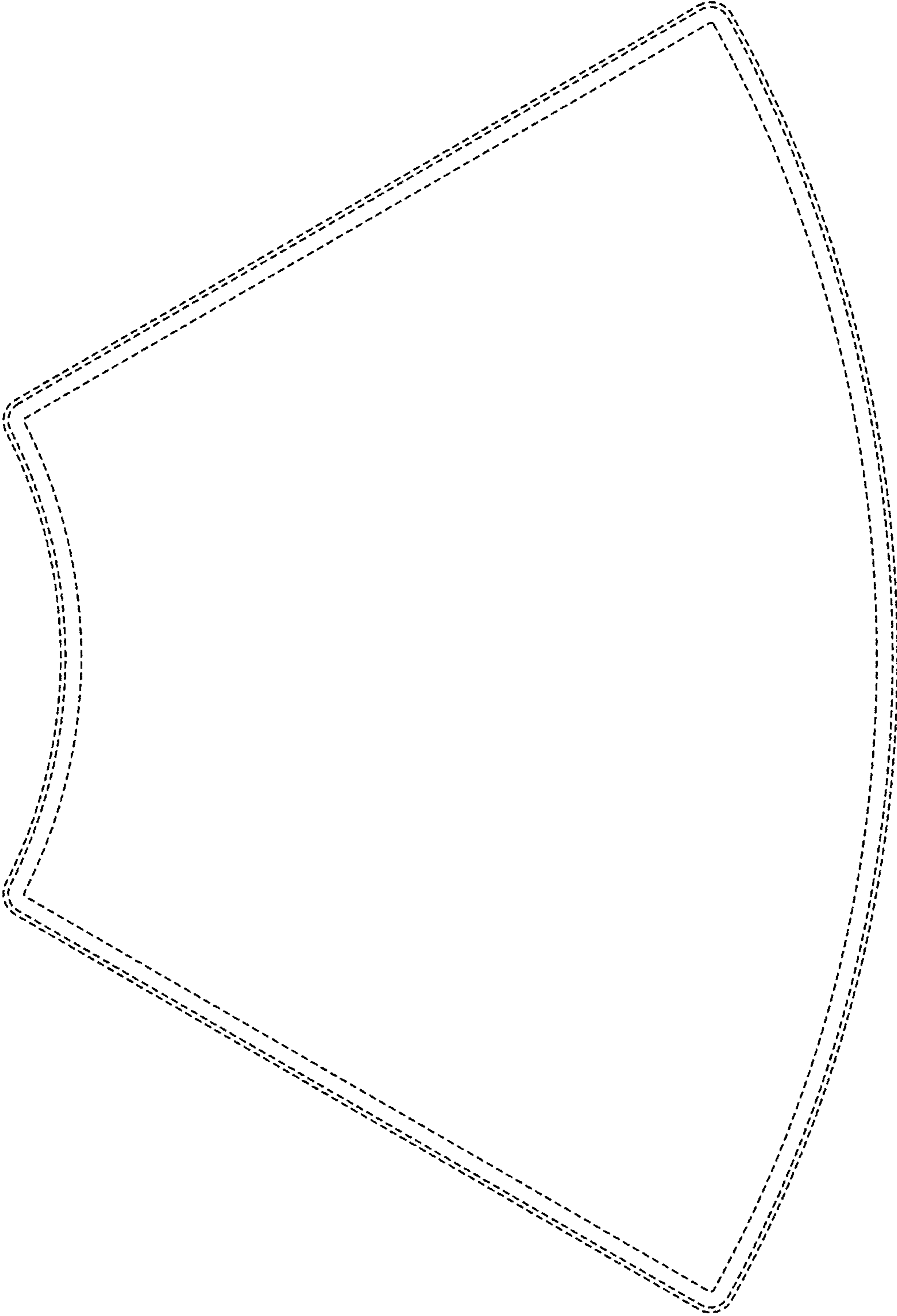


FIG. 7

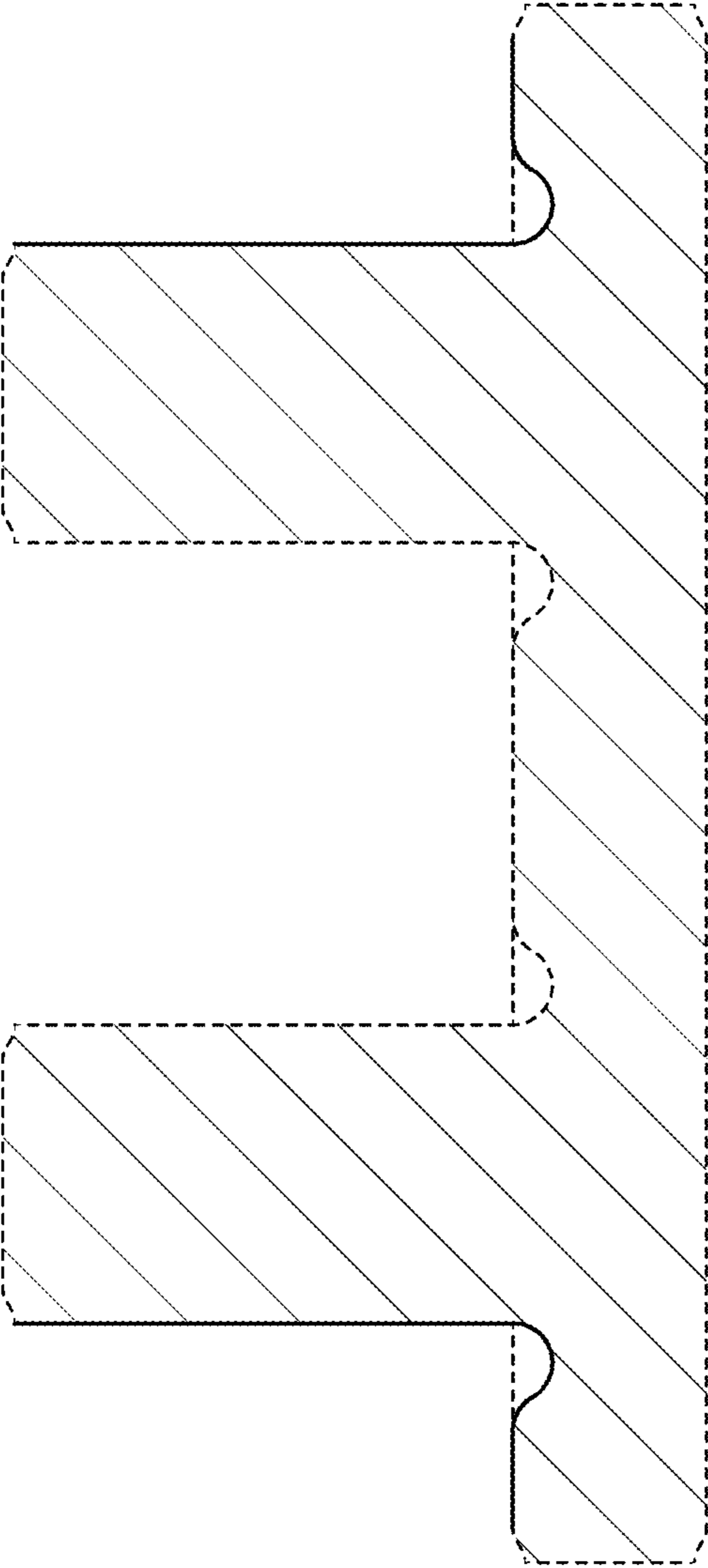


FIG. 8

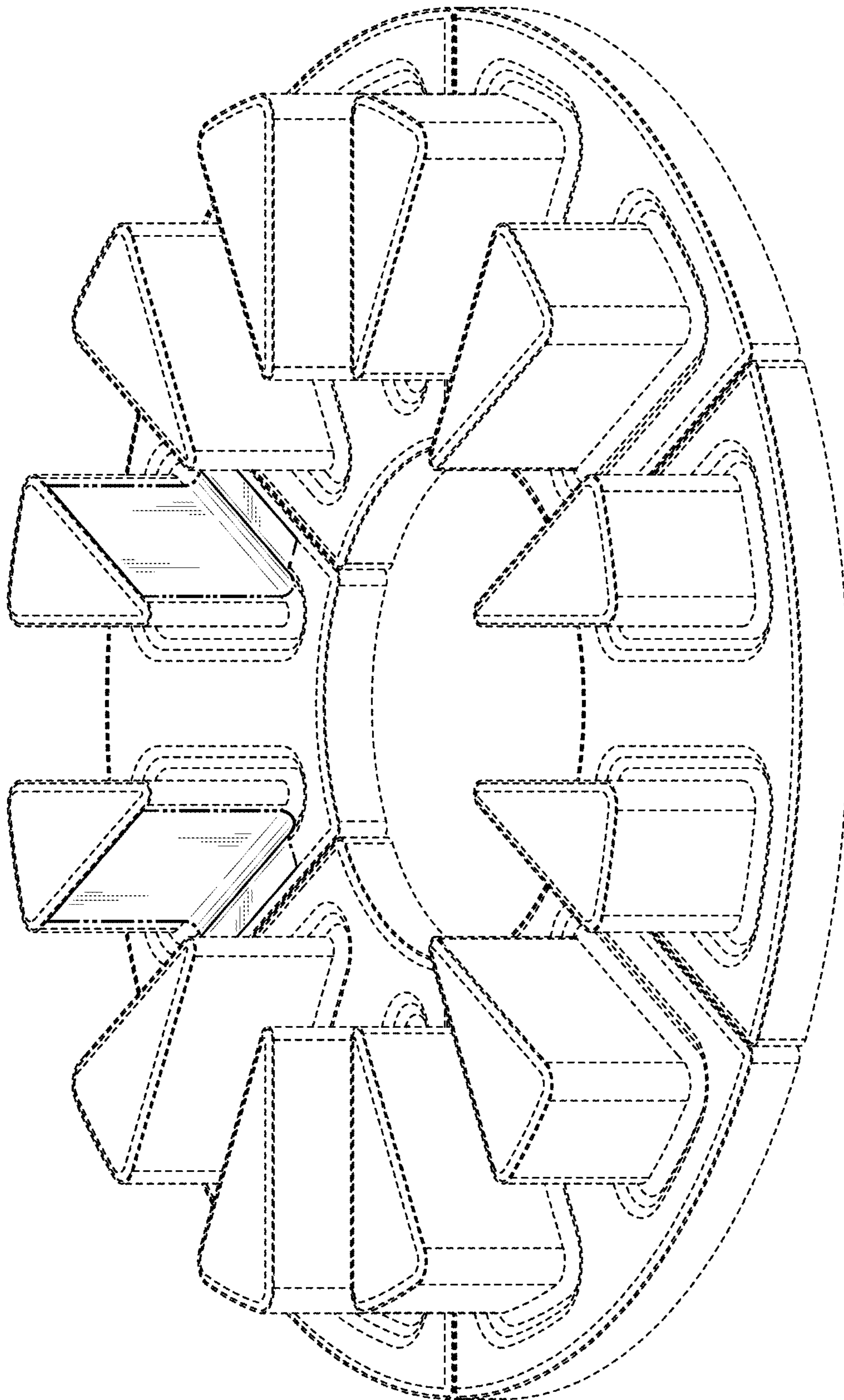


FIG. 9

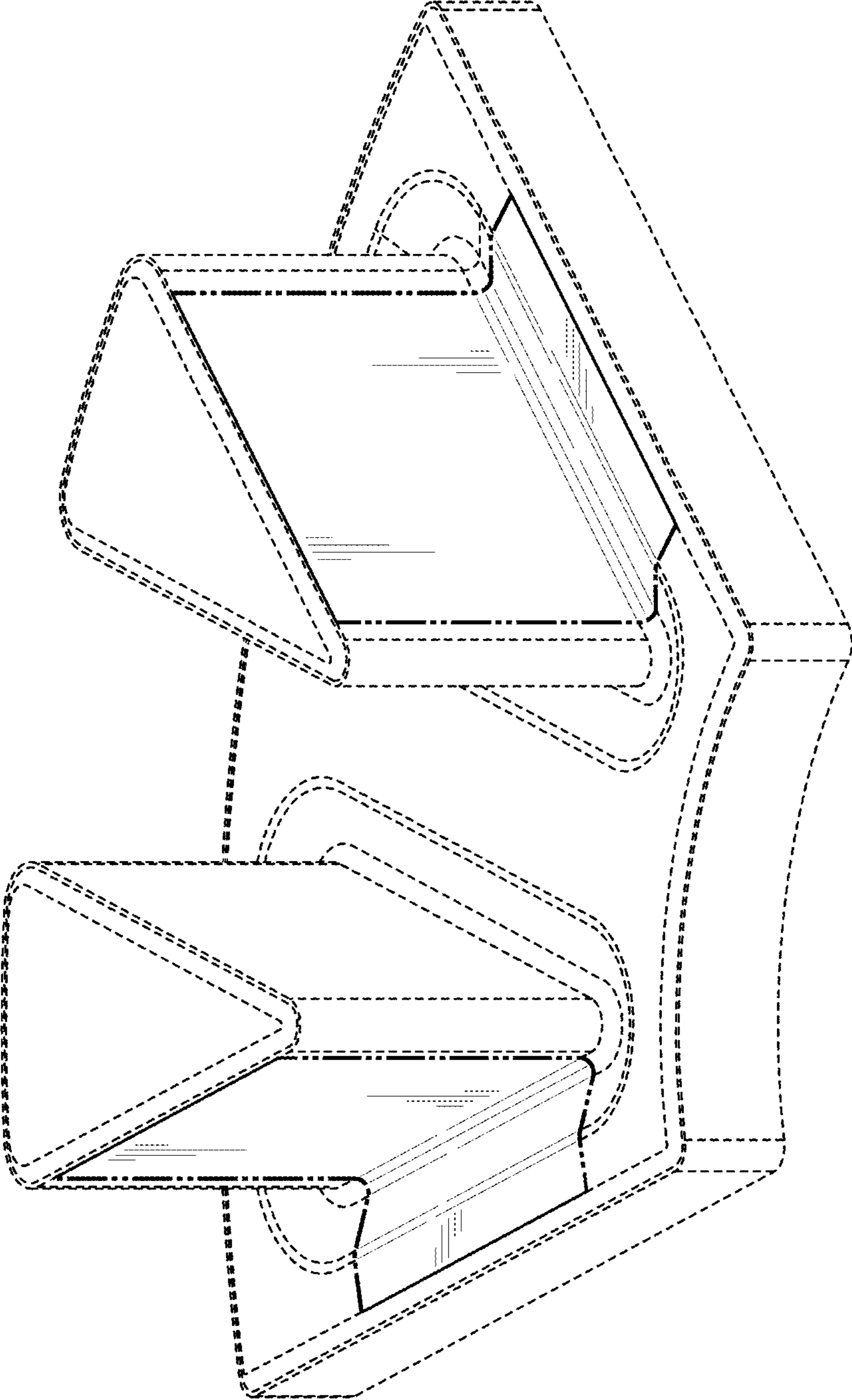


FIG. 10

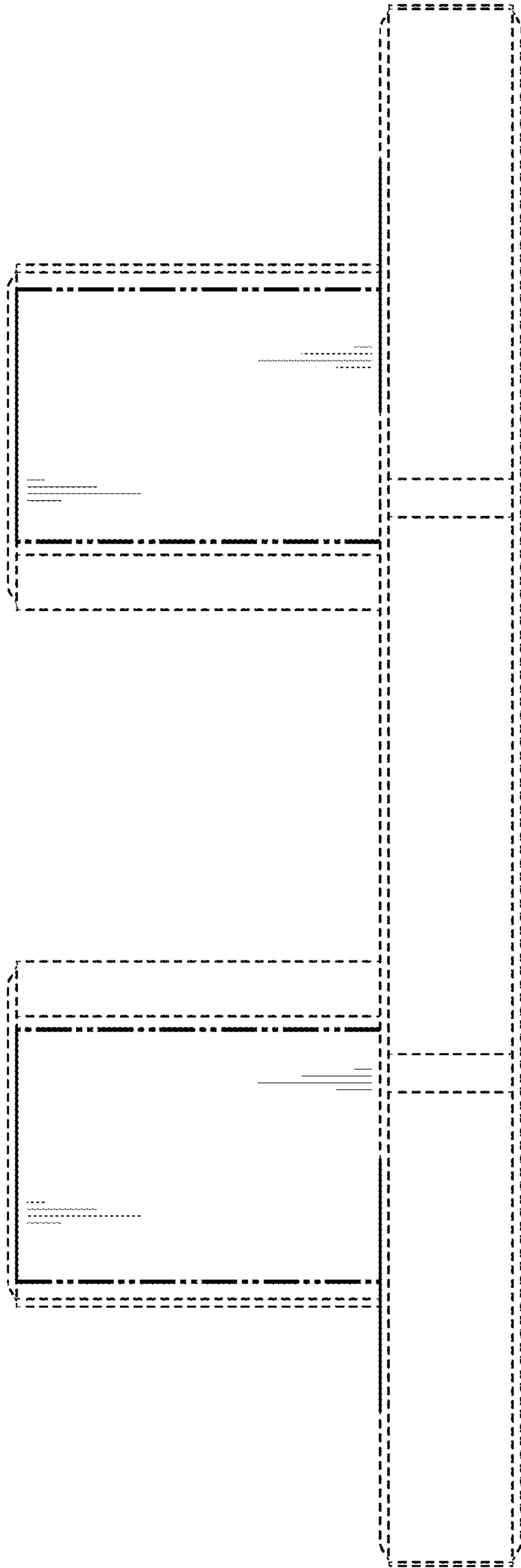


FIG. 11

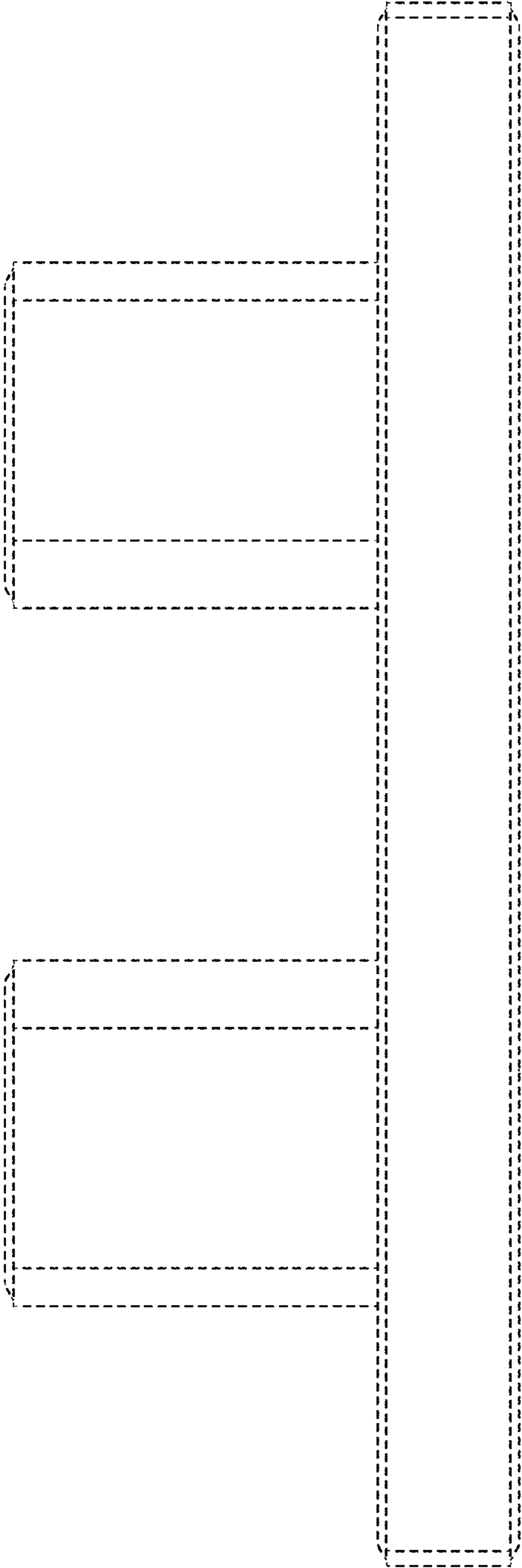


FIG. 12

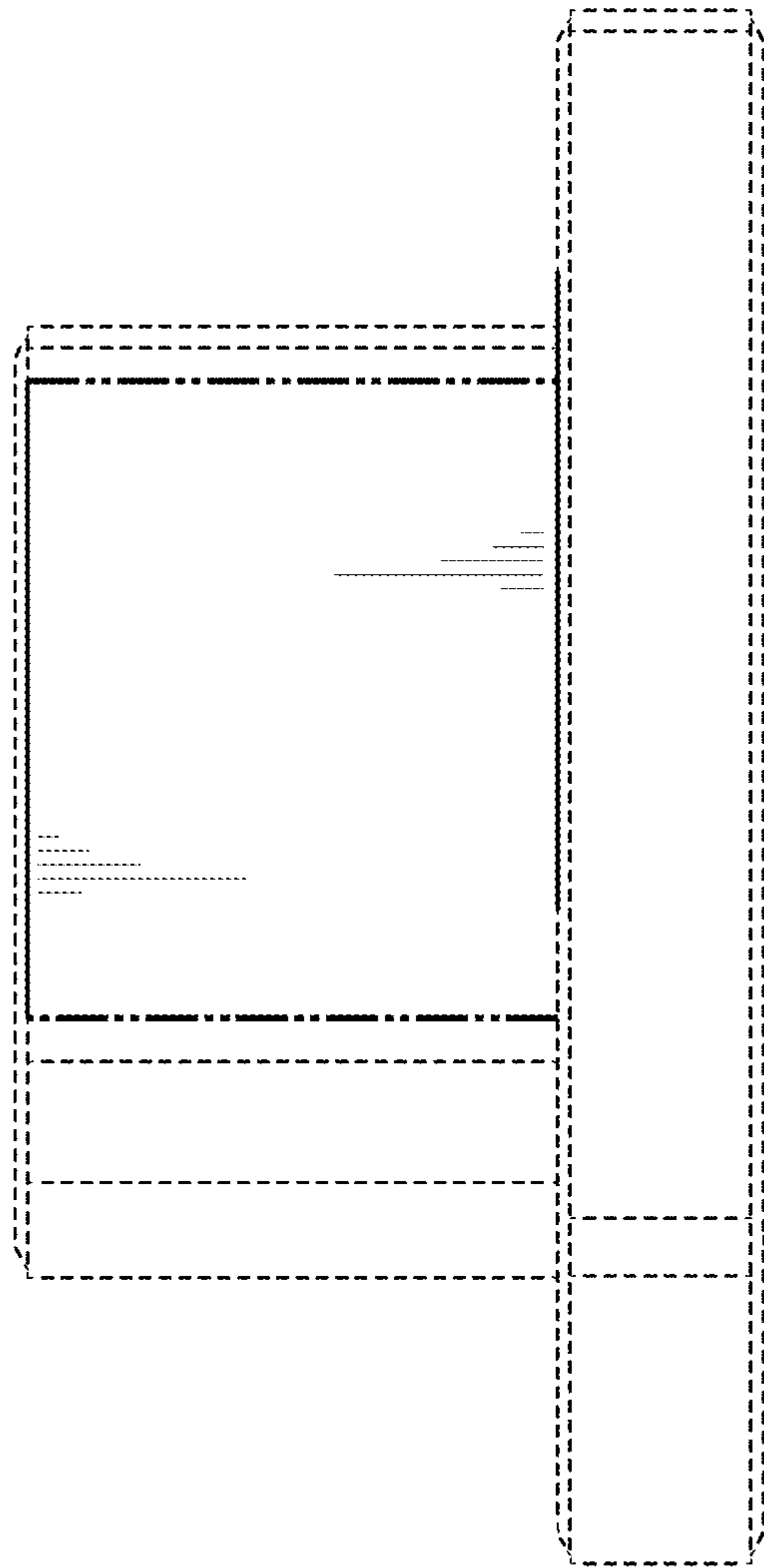


FIG. 13

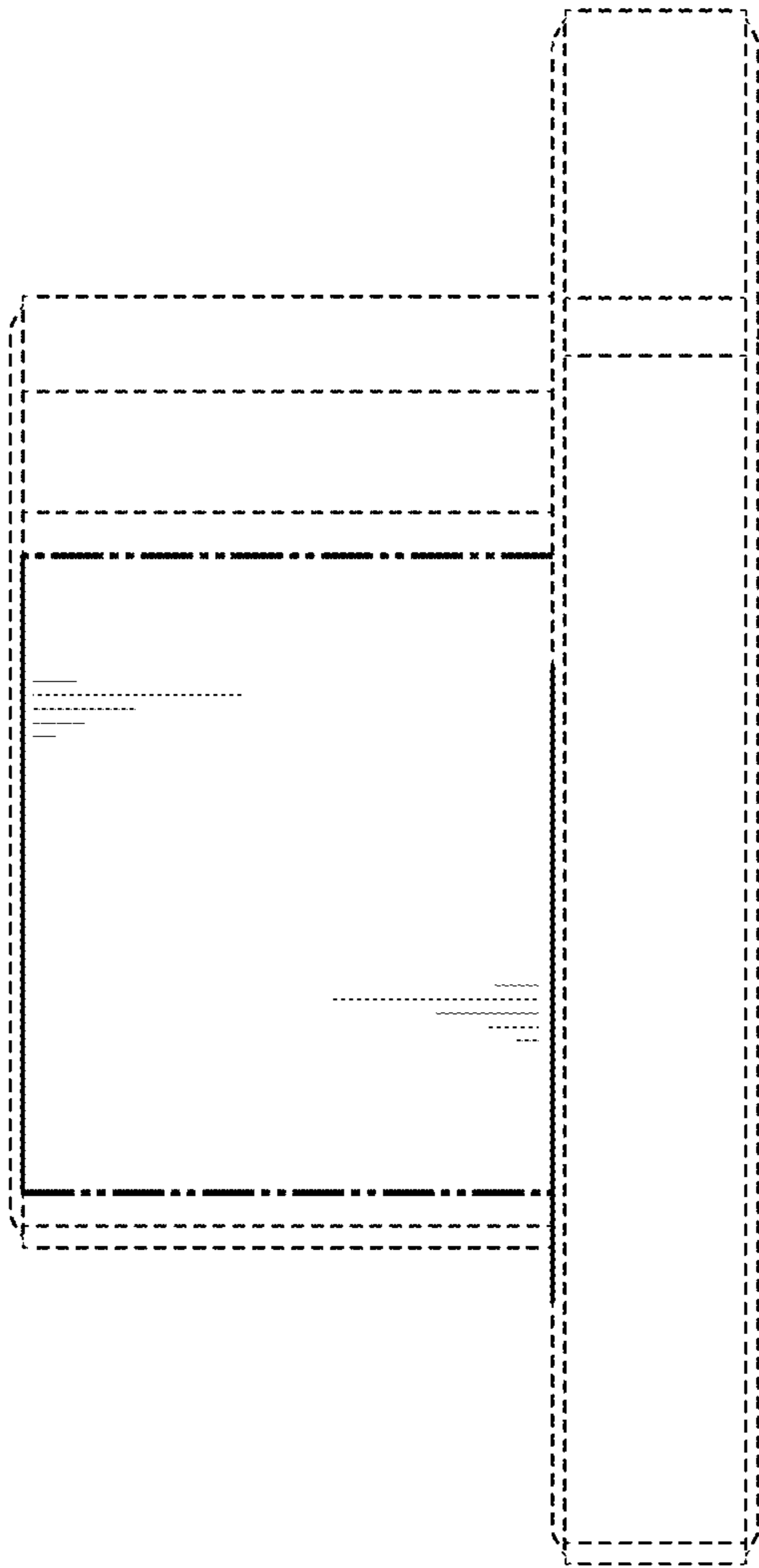


FIG. 14



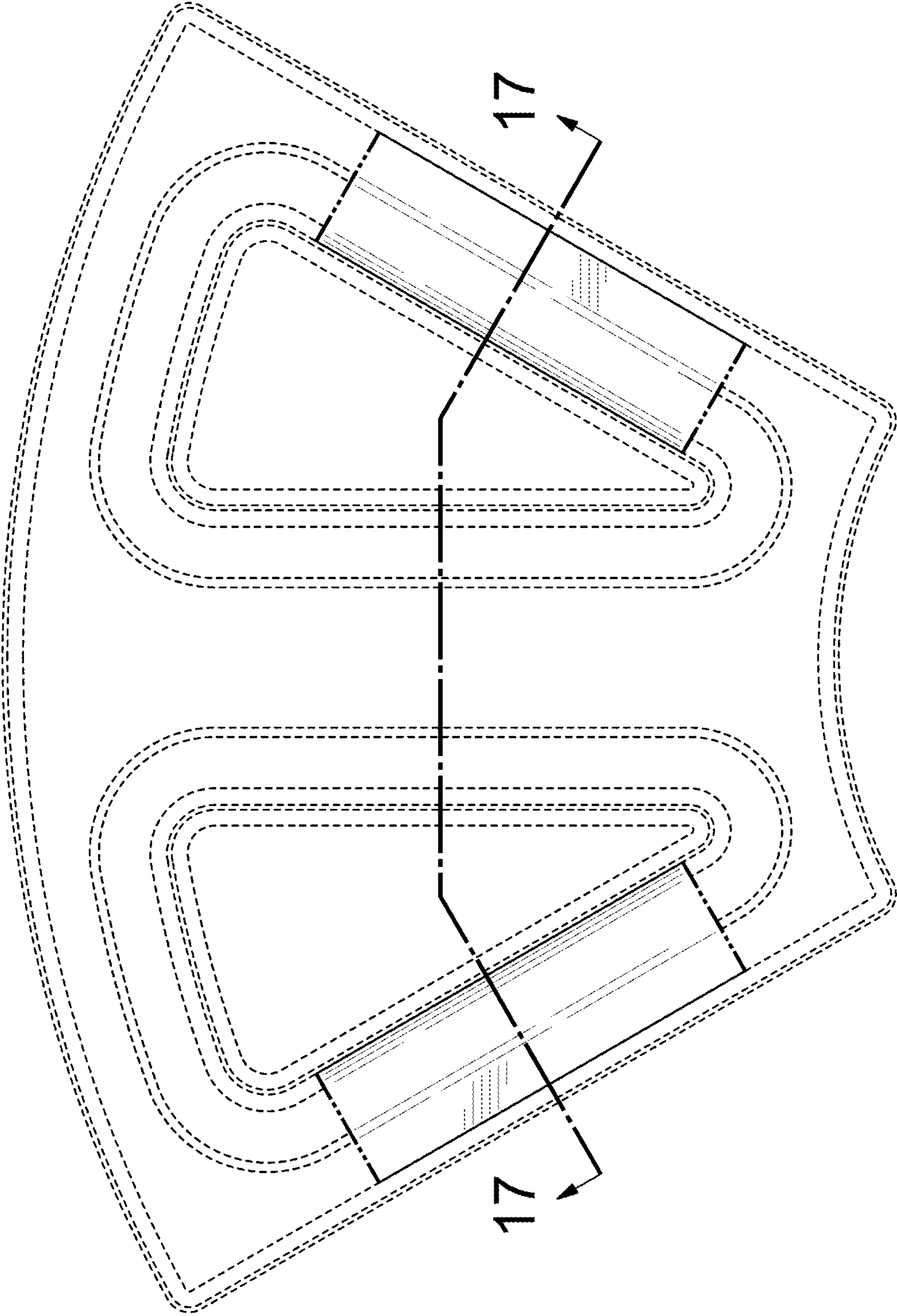


FIG. 15

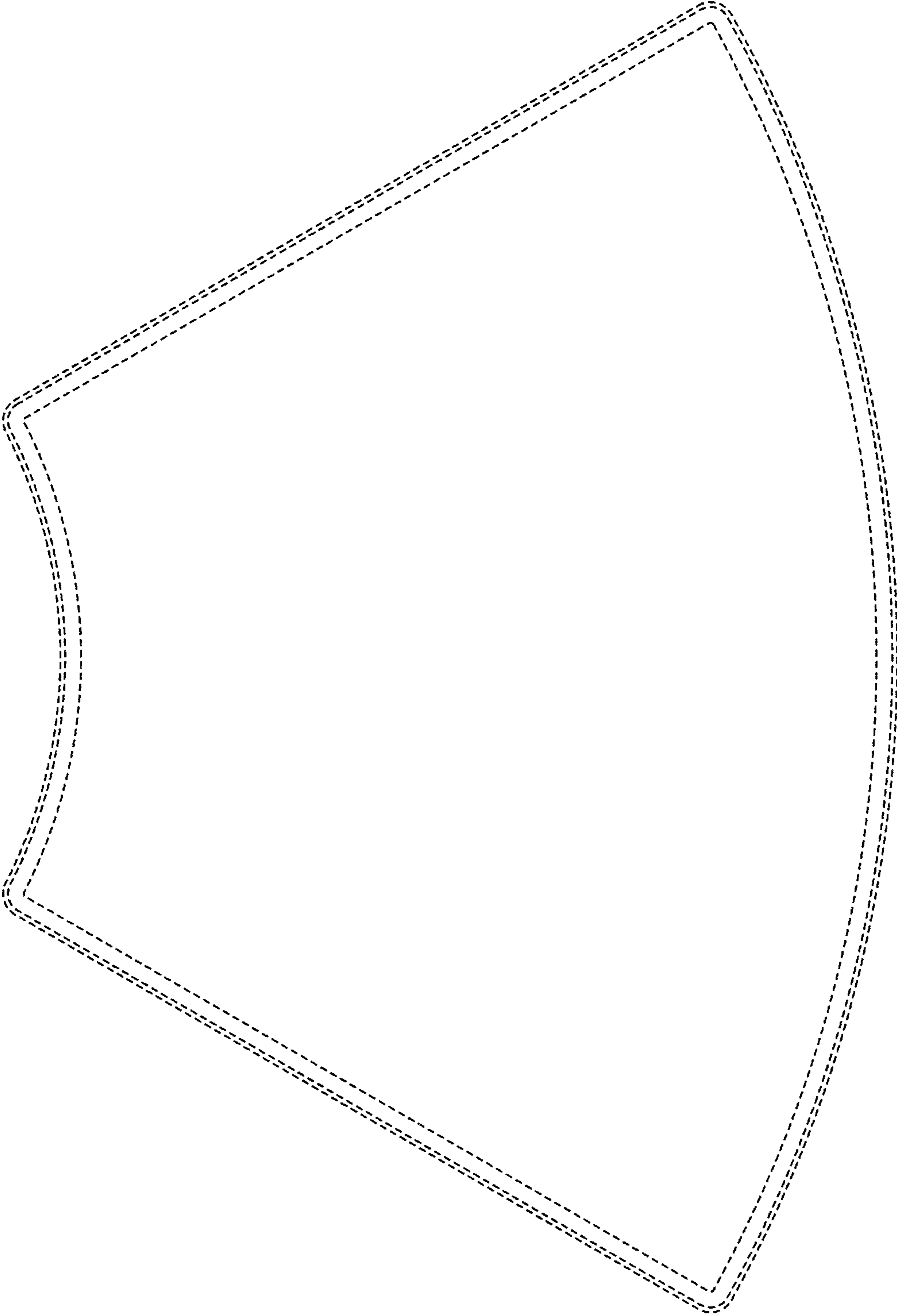


FIG. 16

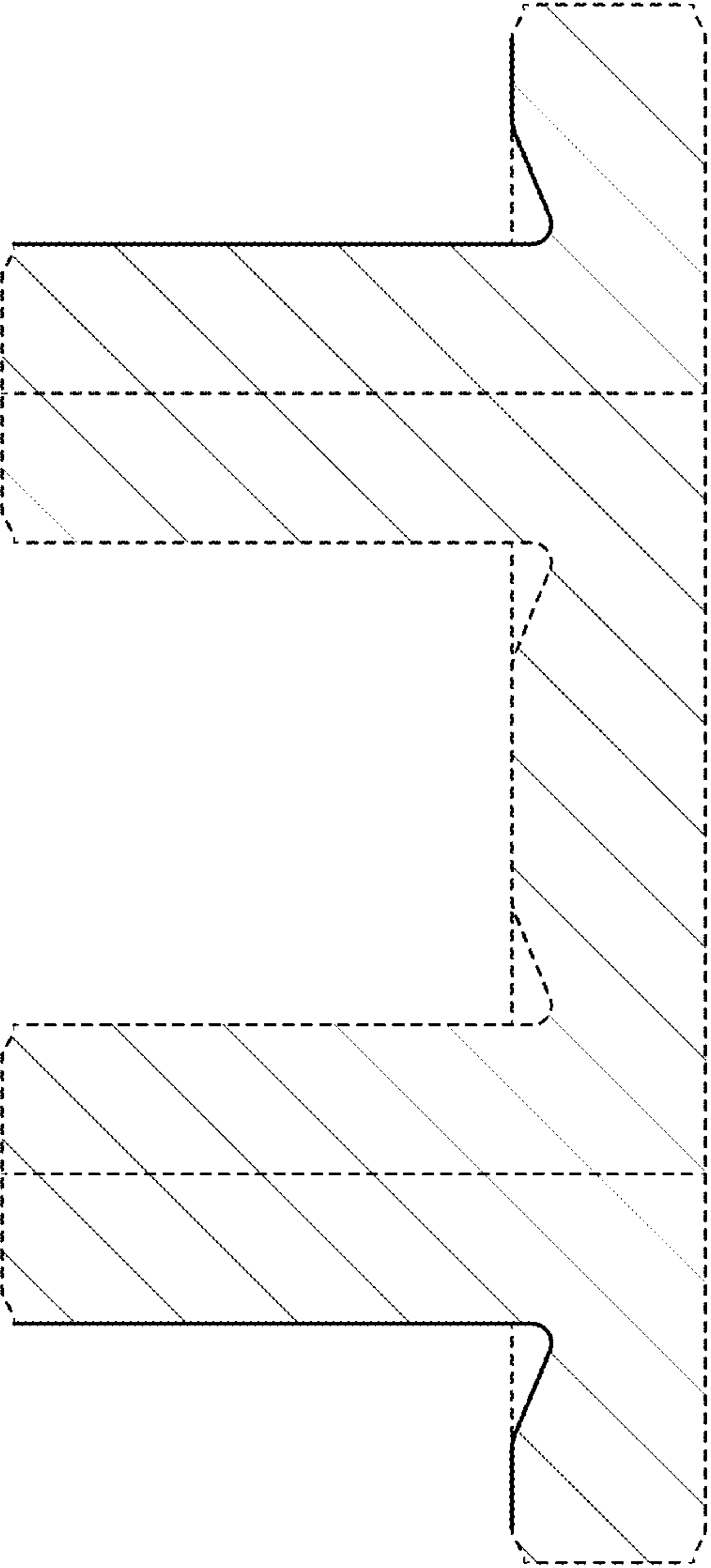


FIG. 17

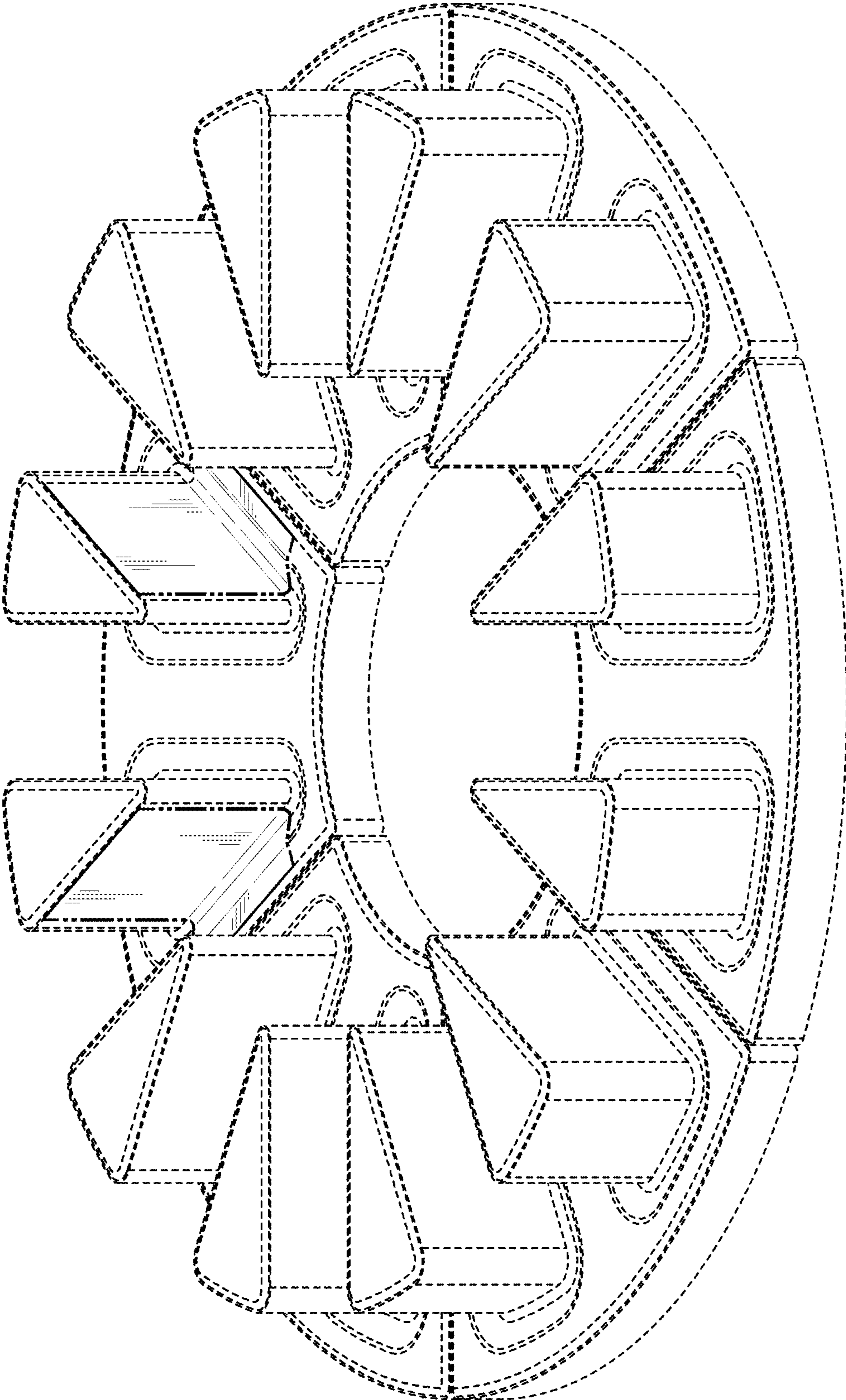


FIG. 18