



US00D900170S

(12) **United States Design Patent**  
**Nicchi**

(10) **Patent No.:** **US D900,170 S**  
(45) **Date of Patent:** **\*\* Oct. 27, 2020**

(54) **FROZEN DESSERT MACHINE**

(71) Applicant: **CVT Soft Serve, LLC**, Sherman Oaks, CA (US)

(72) Inventor: **Joseph Nicchi**, Sierra Madre, CA (US)

(73) Assignee: **CVT Soft Serve, LLC**, Sherman Oaks, CA (US)

(\*\*) Term: **15 Years**

(21) Appl. No.: **29/642,915**

(22) Filed: **Apr. 3, 2018**

(51) **LOC (12) Cl.** ..... **15-07**

(52) **U.S. Cl.**  
USPC ..... **D15/82**

(58) **Field of Classification Search**  
USPC ..... D15/79, 80, 81, 82, 89, 90; D7/300, D7/303-311

CPC ..... F25B 21/02; F25B 2321/02; F25B 1/005; F25B 2321/0252; F25B 1/00; F25B 1/10; F25B 21/04; F25B 2339/047; F25B 5/02; F25B 7/00; F25B 13/00; F25B 1/053; F25B 2309/06; F25B 2321/021; F25B 2321/023; F25D 23/028; F25D 23/02; F25D 25/025; F25D 23/00; F25D 2323/021; F25D 11/00; F25D 2323/024; F25D 23/04; F25D 29/00; F25D 25/02; F25D 25/024; F25D 27/005; F25D 23/12; F25D 29/005; F25D 17/042; F25D 2325/021

See application file for complete search history.

(56) **References Cited**

U.S. PATENT DOCUMENTS

D662,526	S	*	6/2012	Tulisi	.....	D15/82
D689,102	S	*	9/2013	Ugolini	.....	D15/82
D694,287	S	*	11/2013	Salin	.....	D15/82
D789,141	S	*	6/2017	Mohammed	.....	D15/82
D848,212	S	*	5/2019	Mohammed	.....	D7/397
D873,869	S	*	1/2020	Lazzarini	.....	D15/82
2015/0097001	A1	*	4/2015	Gatipon	.....	B67D 1/0857 222/108

\* cited by examiner

*Primary Examiner* — Khawaja Anwar

(74) *Attorney, Agent, or Firm* — Knobbe, Martens, Olson & Bear, LLP

(57) **CLAIM**

The ornamental design for a frozen dessert machine, as shown and described.

**DESCRIPTION**

FIG. 1 is a top, front, and side perspective view of an embodiment of a frozen dessert machine embodying my new design.

FIG. 2 is a front view thereof.

FIG. 3 is a back view thereof.

FIG. 4 is a first side view thereof.

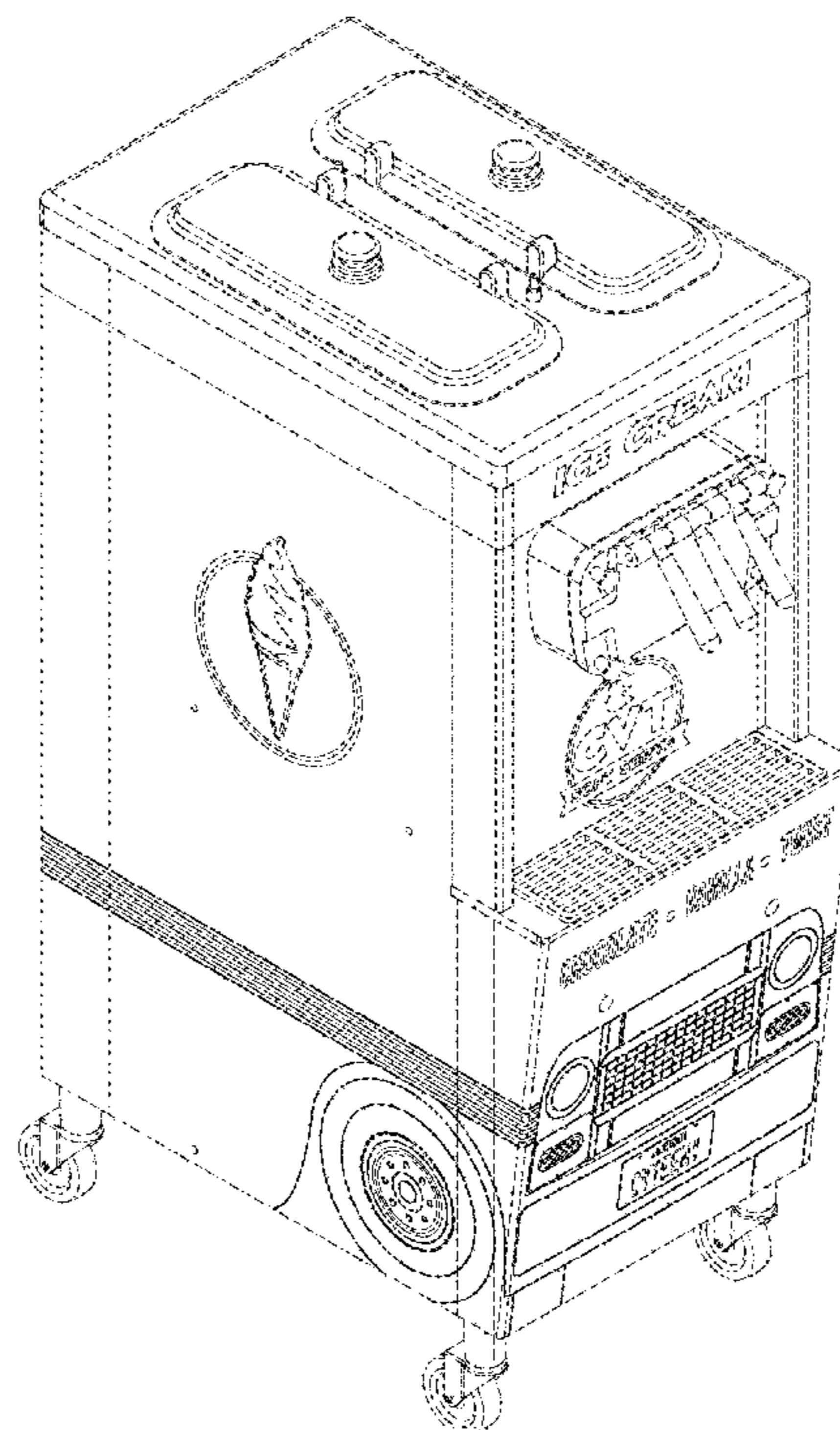
FIG. 5 is a second side thereof.

FIG. 6 is a top view thereof; and,

FIG. 7 is a bottom view thereof.

Broken lines are used to illustrate features of the frozen dessert machine which form no part of the presently claimed design.

**1 Claim, 7 Drawing Sheets**



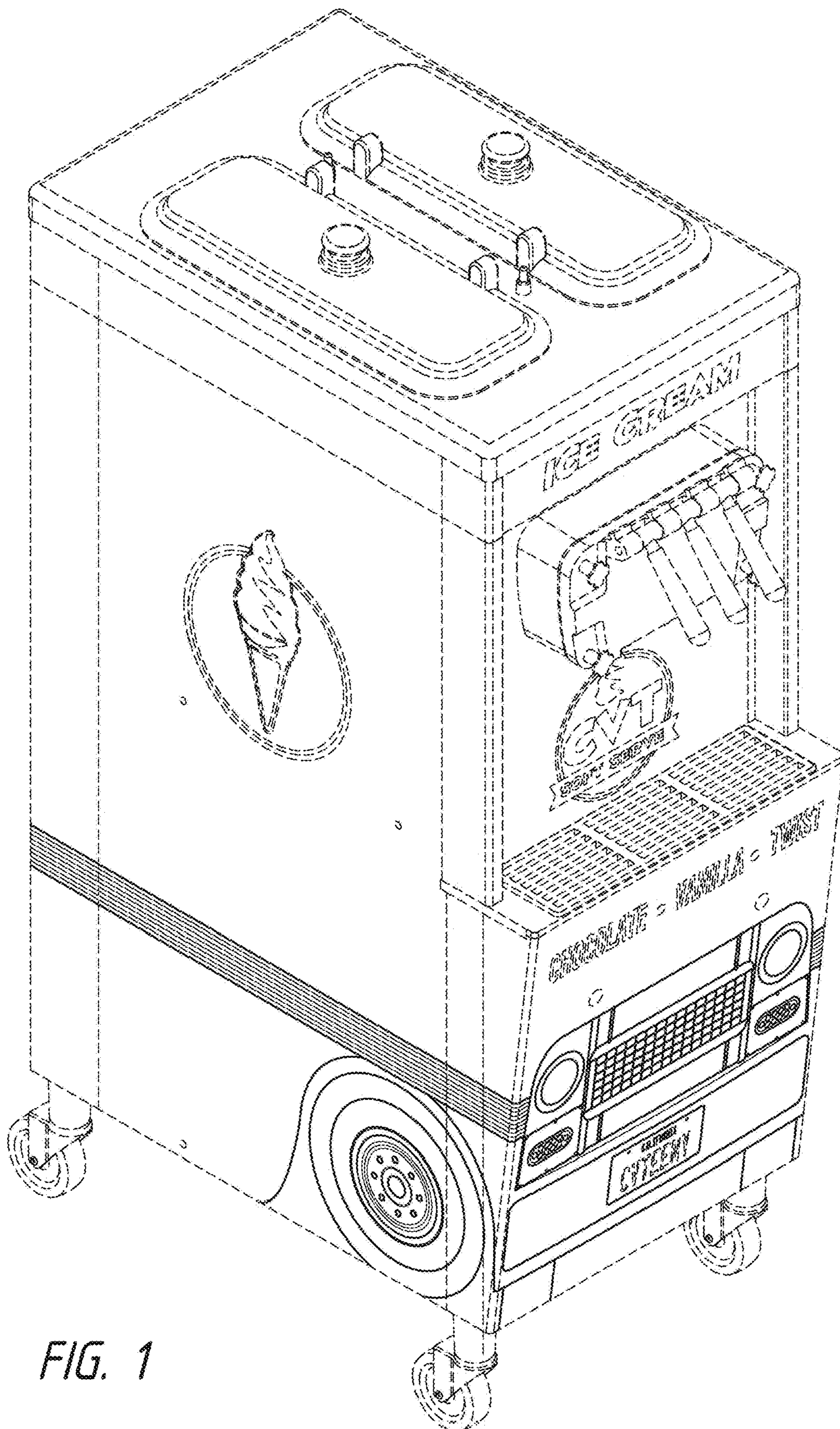


FIG. 1



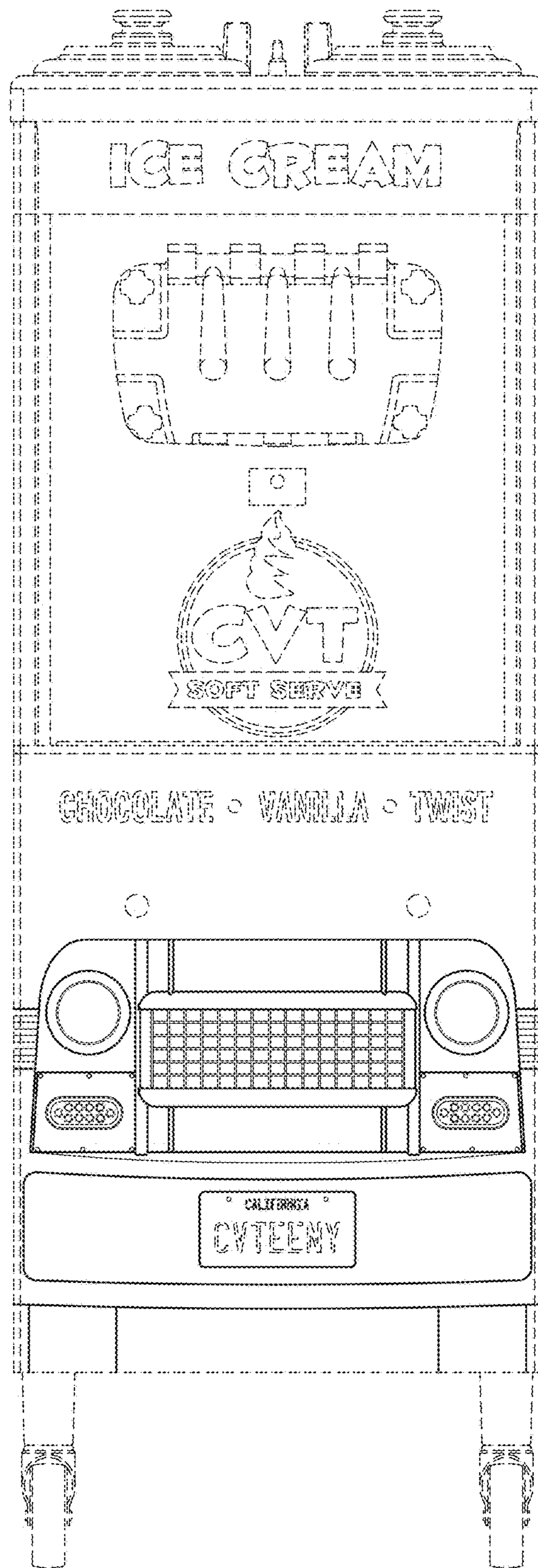


FIG. 2

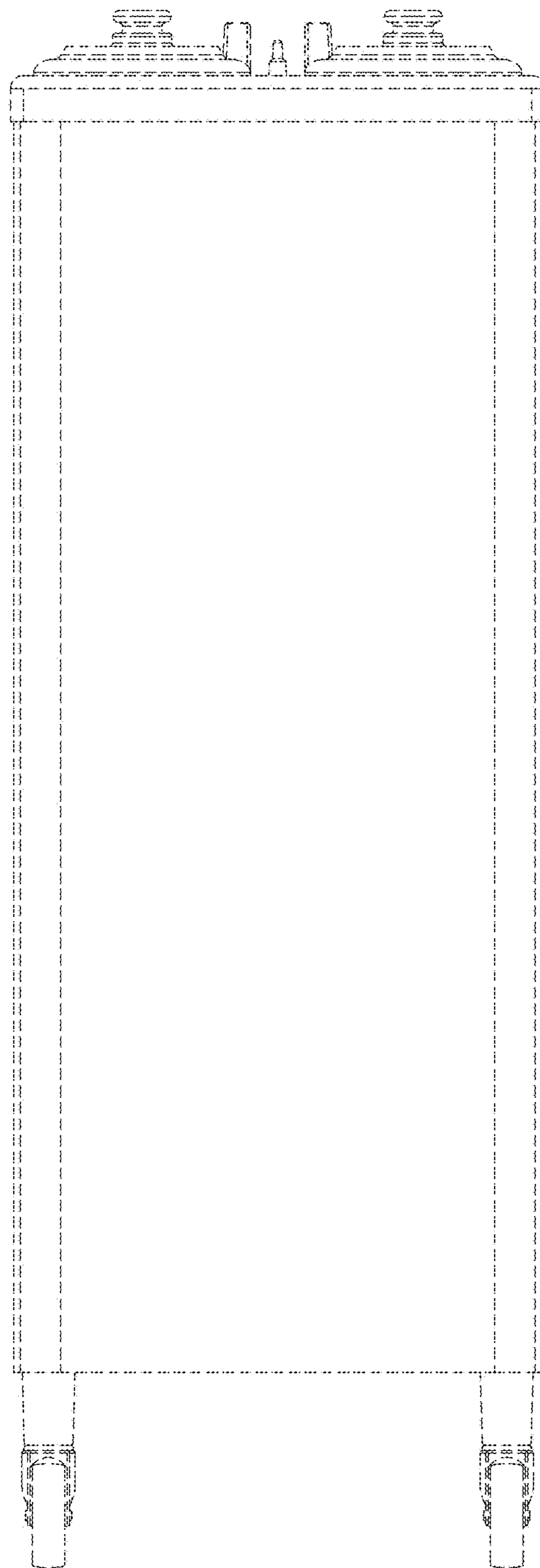


FIG. 3

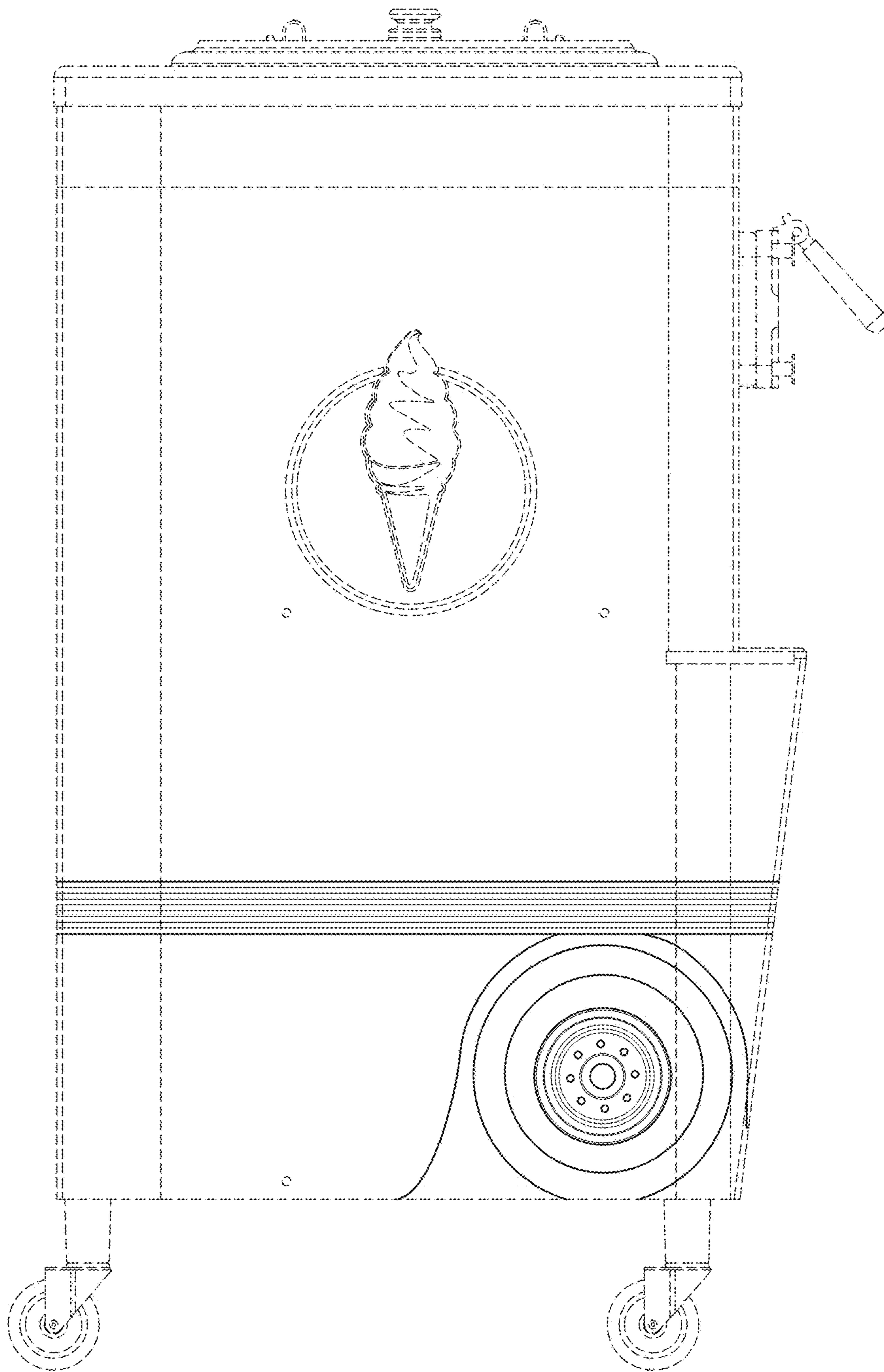


FIG. 4

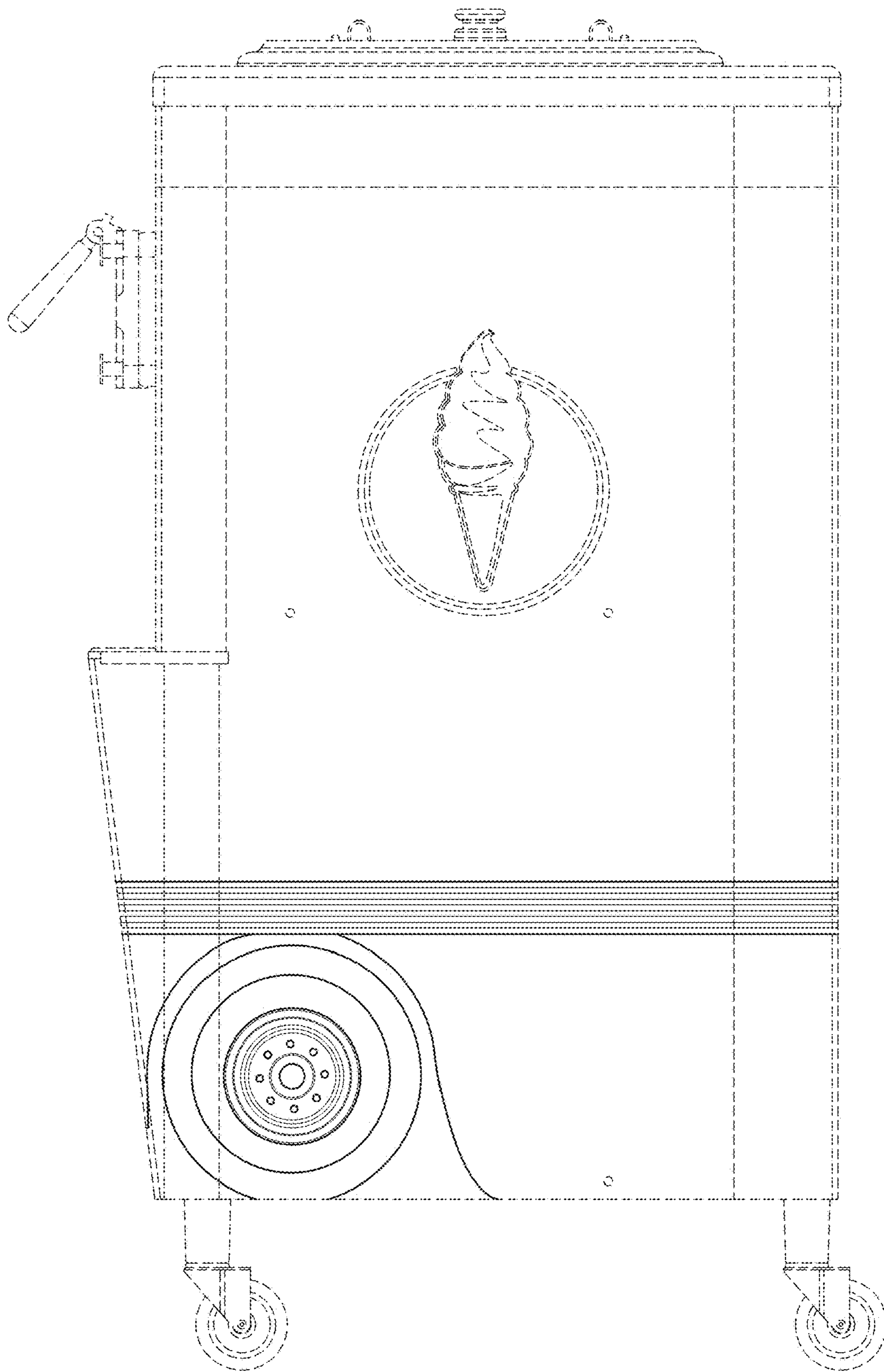


FIG. 5

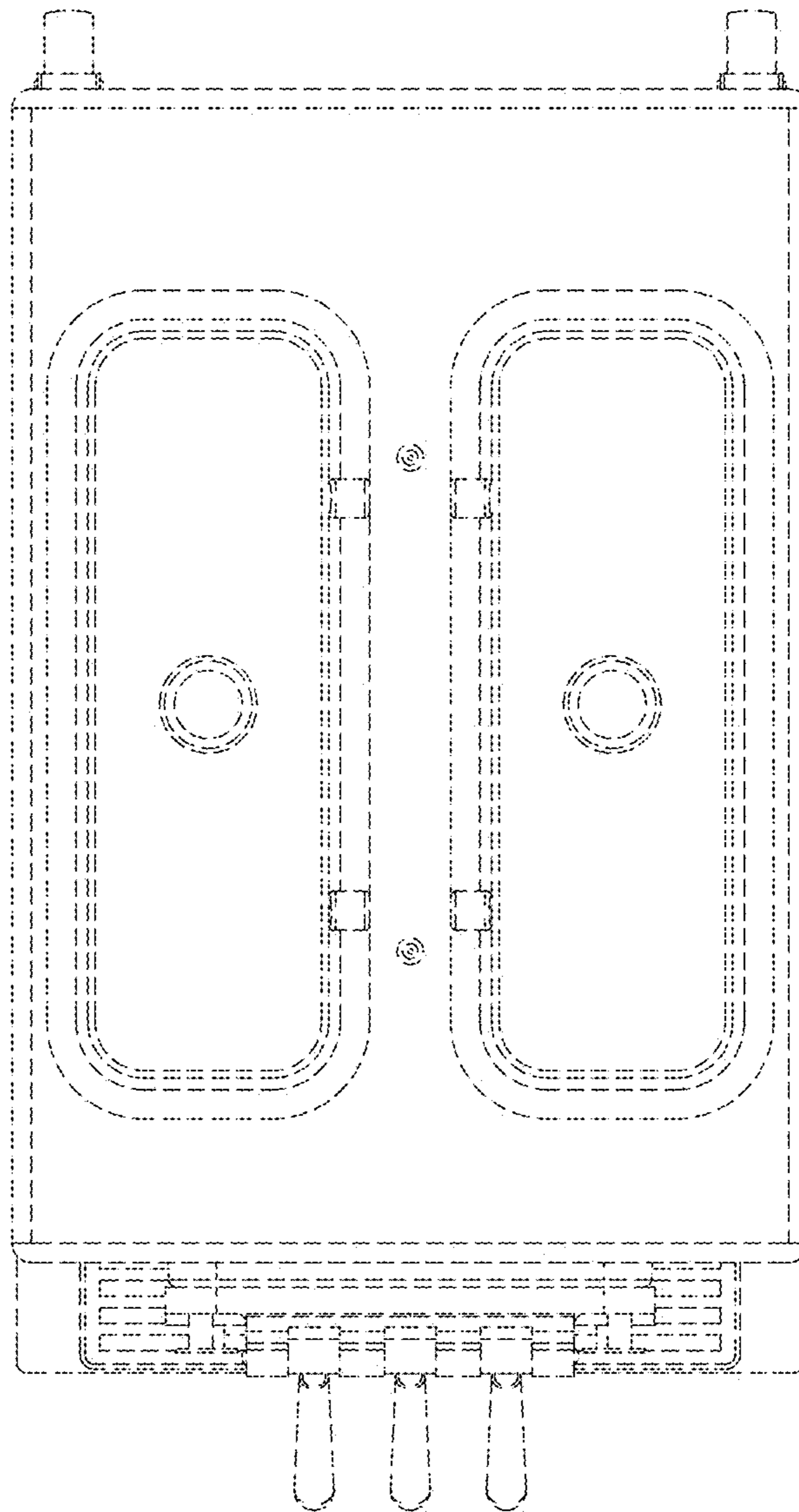


FIG. 6



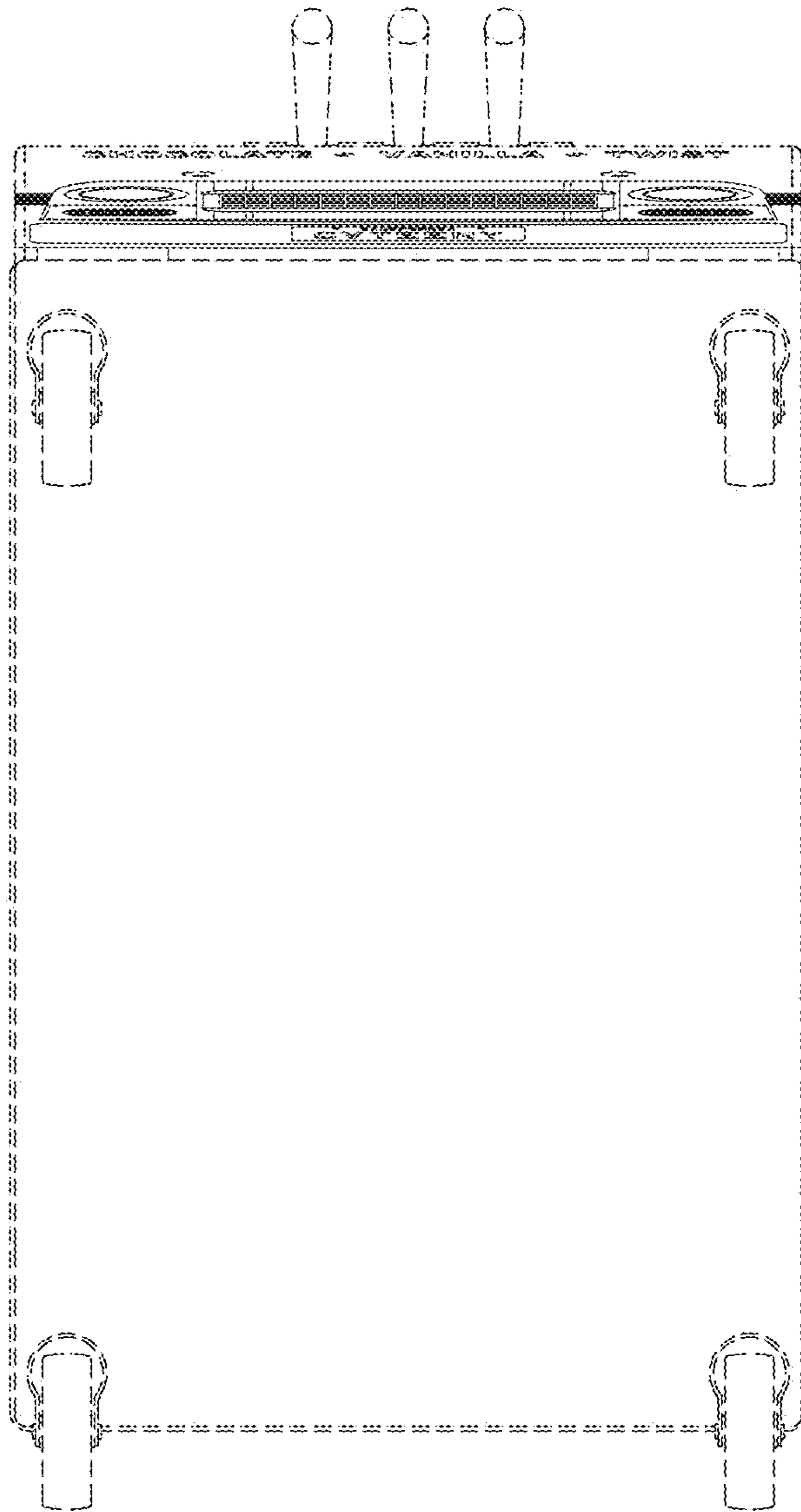


FIG. 7