



US00D900162S

(12) **United States Design Patent** (10) **Patent No.:** **US D900,162 S**
Wei (45) **Date of Patent:** **** Oct. 27, 2020**

(54) **INTAKE MANIFOLD**

FOREIGN PATENT DOCUMENTS

(71) Applicant: **DeepMotor, Inc.**, Rancho Cucamonga, CA (US)

CN 303479863 12/2015
CN 303727690 6/2016
EP 1772615 A2 * 4/2007 F02D 9/104

(72) Inventor: **Yong Wei**, Rancho Cucamonga, CA (US)

OTHER PUBLICATIONS

(73) Assignee: **DeepMotor, Inc.**, Rancho Cucamonga, CA (US)

Clumate tune <http://www.clumatetune.com/german-and-american-cars-intake-manifolds.html> Retrieved on Feb. 25, 2020.*

(Continued)

(**) Term: **15 Years**

Primary Examiner — Ania Aman

(21) Appl. No.: **29/691,762**

(74) *Attorney, Agent, or Firm* — Heidi Eisenhut; Loza & Loza, LLP

(22) Filed: **May 19, 2019**

(51) **LOC (12) Cl.** **15-01**

(57) **CLAIM**

(52) **U.S. Cl.**
USPC **D15/5**

The ornamental design for an intake manifold, as shown and described.

(58) **Field of Classification Search**

DESCRIPTION

USPC D15/1-5
CPC F02M 35/10091; F02M 35/10222; F02M 35/10295; F02M 35/10321; F02M 35/10262; F02M 35/104; F02M 35/10354; F02M 35/116; F02M 35/10052; F02M 35/10078; F02M 35/112; F02M 35/10085; F02M 31/00; F02M 31/04; F02M 31/042; F02M 31/045; F02M 31/047; F02M 31/093; F02M 35/10144; F02M 35/10039; F02M 35/10347; F02M 35/10334

See application file for complete search history.

FIG. 1 is a front, right, top perspective view of an intake manifold;
FIG. 2 is a rear, left, bottom perspective view of the intake manifold of FIG. 1;
FIG. 3 is a right side elevation view of the intake manifold of FIG. 1;
FIG. 4 is a left side elevation view of the intake manifold of FIG. 1;
FIG. 5 is a front elevation view of the intake manifold of FIG. 1;
FIG. 6 is a rear elevation view of the intake manifold of FIG. 1;
FIG. 7 is a top plan view of the intake manifold of FIG. 1; and,
FIG. 8 is a bottom plan view of the intake manifold of FIG. 1.

The broken lines show features of the intake manifold that form no part of the claimed design.

(56) **References Cited**

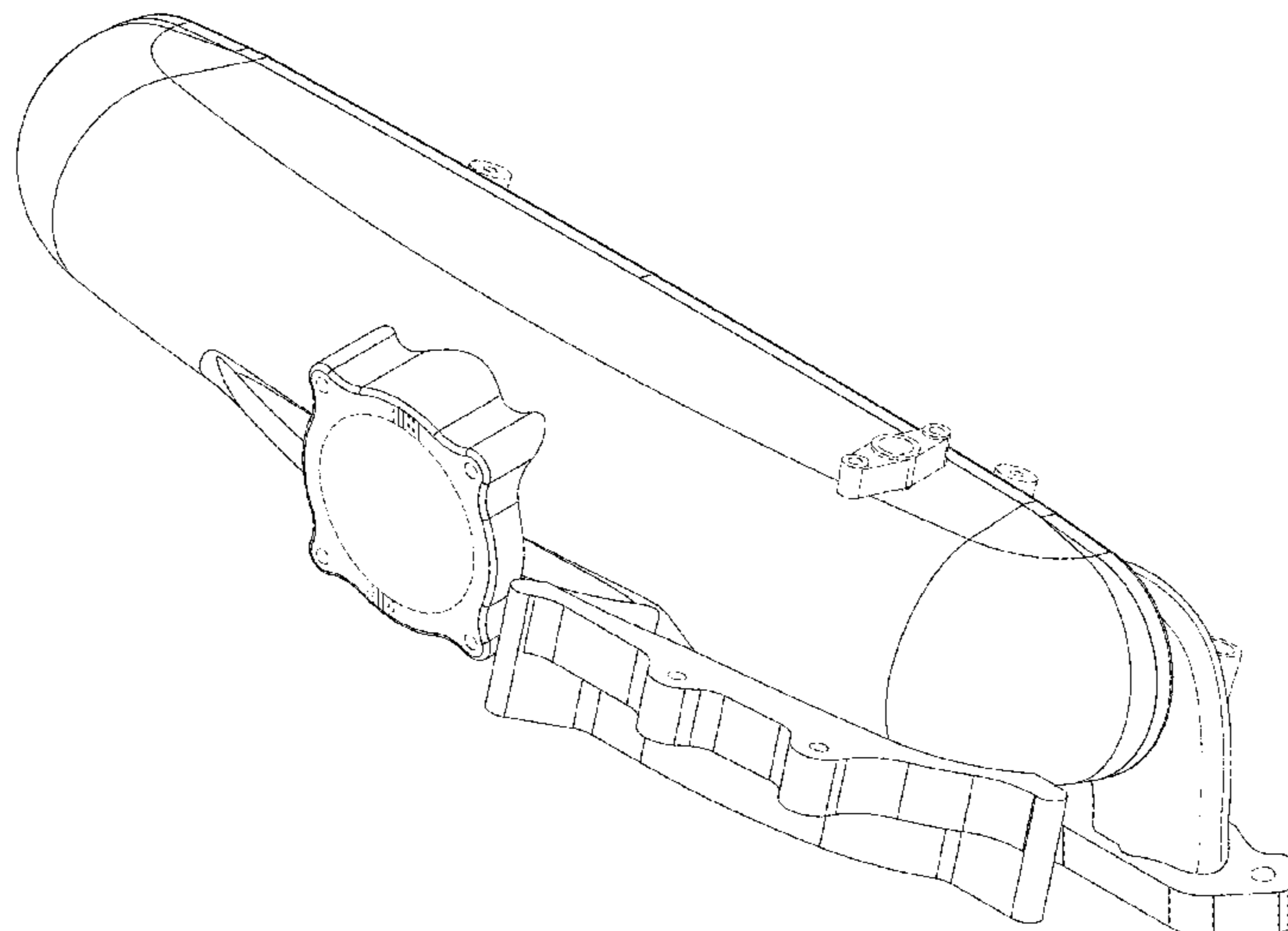
U.S. PATENT DOCUMENTS

D364,628 S 11/1995 Haller
5,494,011 A 2/1996 Haller
6,327,854 B1 * 12/2001 Bonny F01N 13/10
60/321

D654,094 S 2/2012 Dralle
8,122,864 B2 2/2012 Randall et al.

(Continued)

1 Claim, 8 Drawing Sheets



(56)

References Cited

U.S. PATENT DOCUMENTS

8,220,430	B2	7/2012	Gupta	
D673,979	S	1/2013	Finnican	
D676,460	S *	2/2013	Grubisich D15/5
D677,699	S	3/2013	Finnican	
D680,132	S	4/2013	Finnican	
D688,614	S *	8/2013	Meulen D12/194
D700,557	S *	3/2014	Glaeser D12/194
D737,862	S	9/2015	Finnican	
9,261,014	B2 *	2/2016	Buck F02M 35/10255
9,273,653	B2	3/2016	Wilson	
9,617,957	B2	4/2017	Shinkai et al.	
D802,628	S	11/2017	Fischetto	
D812,100	S *	3/2018	Litchfield D15/5
D814,523	S	4/2018	Vaninetti et al.	
2010/0269777	A1 *	10/2010	Jasper F02M 35/10039 123/184.36
2017/0175688	A1 *	6/2017	Nola F02M 35/10242
2019/0128221	A1 *	5/2019	Tiramani F02M 35/10091

OTHER PUBLICATIONS

Tig Welded Aluminum Intake Manifold for BMW N54 3.0L https://www.amazon.com/Welded-Aluminum-Intake-Manifold-3-0L/dp/B07KTJNKL8/ref=pd_sbs_263_1/147-9724501-2684428?_encoding=UTF8&pd_rd_i=B07KTJNKL8&pd_rd_r=35f0a955-e3c3-4984-b6c2-ade6c7d97c0c&pd_rd_w=bmcnb&pd_rd_wg=4ZI99&pf_rd_p=7cd8f929-4345-4bf2-a5544-7d7588b3dd5f&pf_rd_r=5HNTFPF2563487W1BVR4&pvc=1&refRID=5HNTFPF25 First available date on amazon Nov. 22, 2018.*

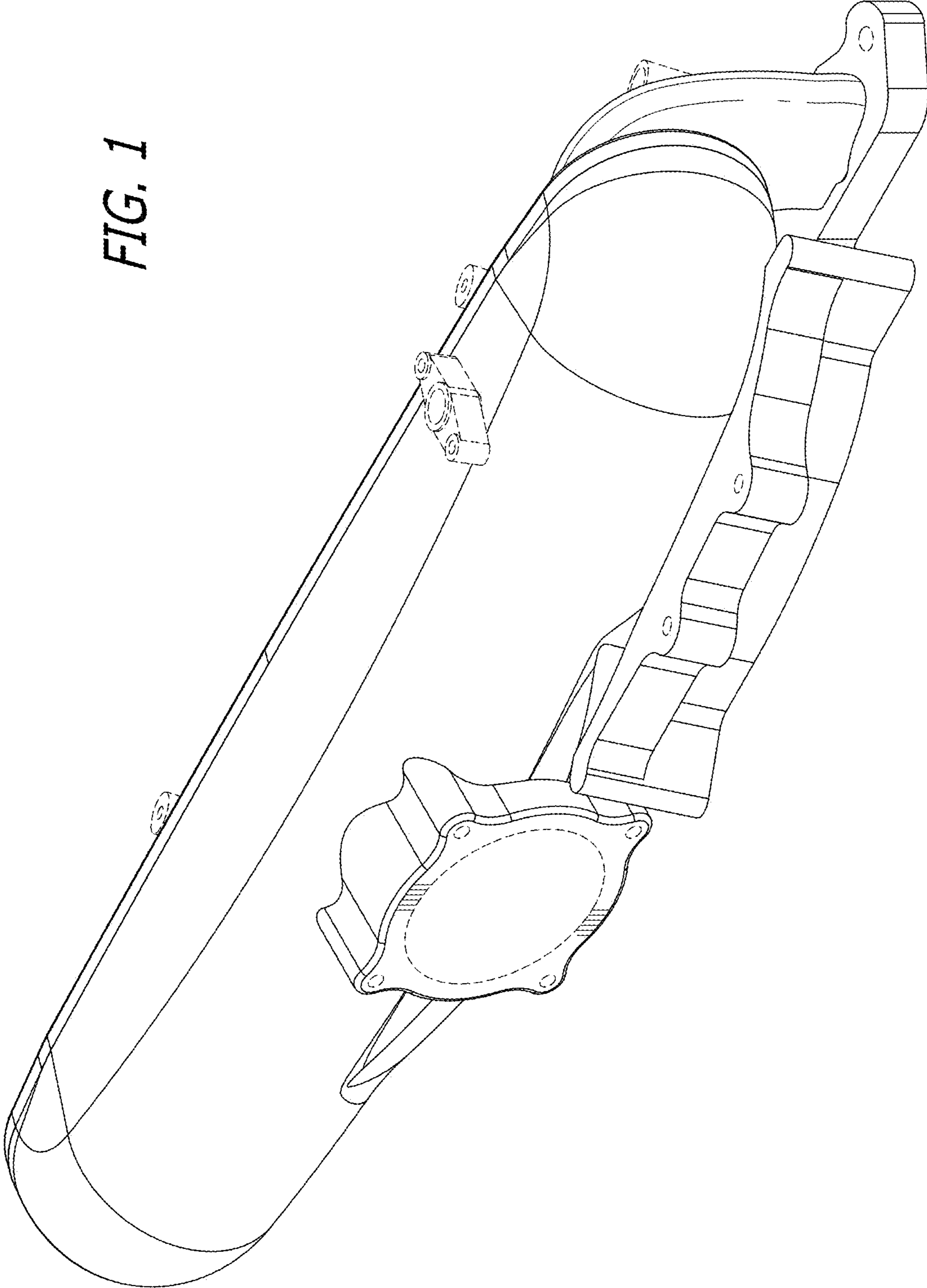
Aluminum Intake Manifold and Fuel Rail for BMW n55 ReaD DeTailS https://www.amazon.com/Aluminum-Intake-Manifold-Fuel-DeTailS/dp/B07V9PVJ92/ref=sr_1_1?keywords=BMW+N55+Intake+Manifold&qid=1582655473&sr=8-1 First available on amazon on Jul. 16, 2019.*

Amazon search results for “intake manifold deepmotor” https://www.amazon.com/s?k=intake+manifold+deepmotor&ref=nb_sb_noss_2 (Year: 2020).*

Ebay List of items sold by user name deepmo_64 https://www.ebay.com/sch/deepmo_64/m.html?_nkw=&_armrs=1&_from=&_ipg=200&rt= (Year: 2020).*

* cited by examiner

FIG. 1



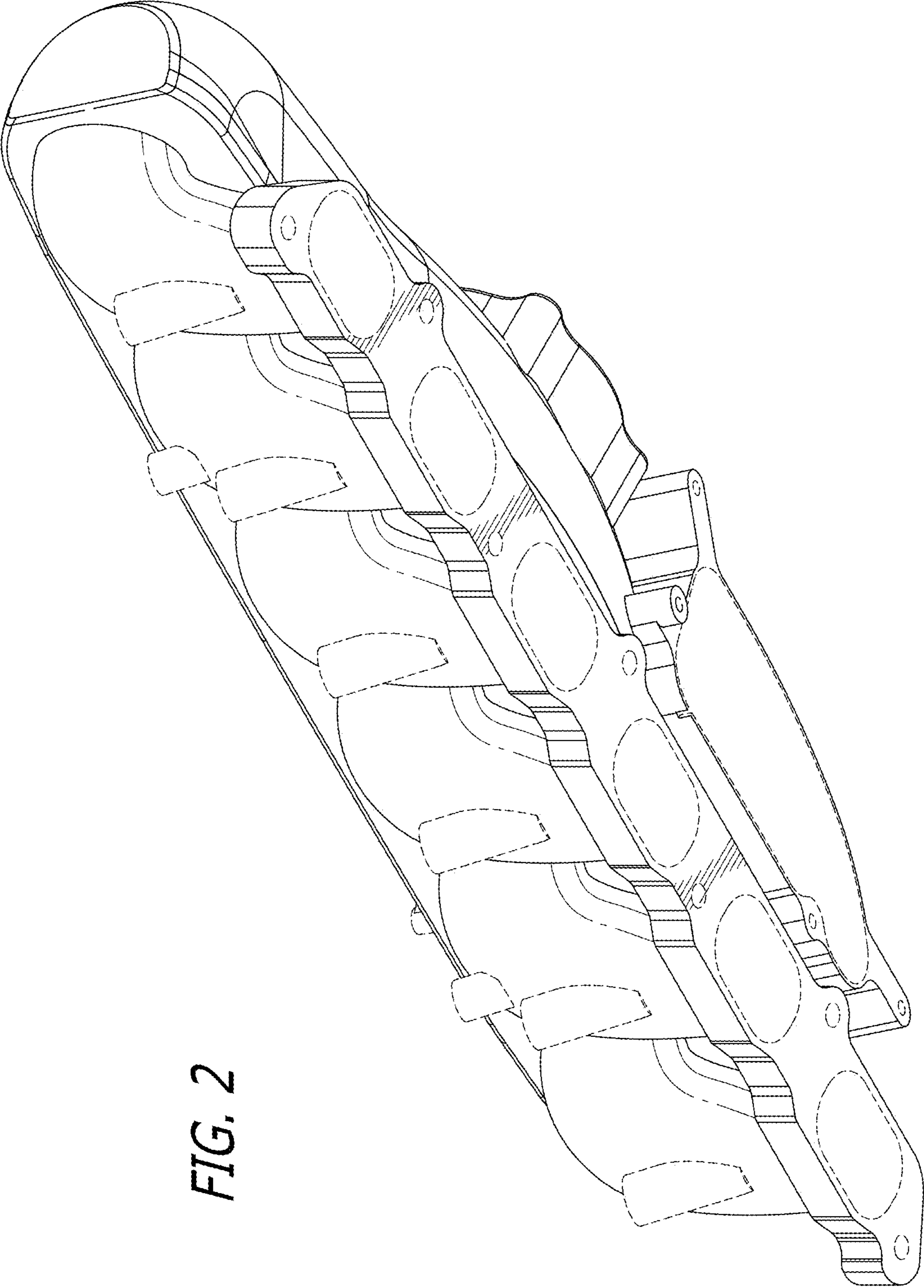


FIG. 2

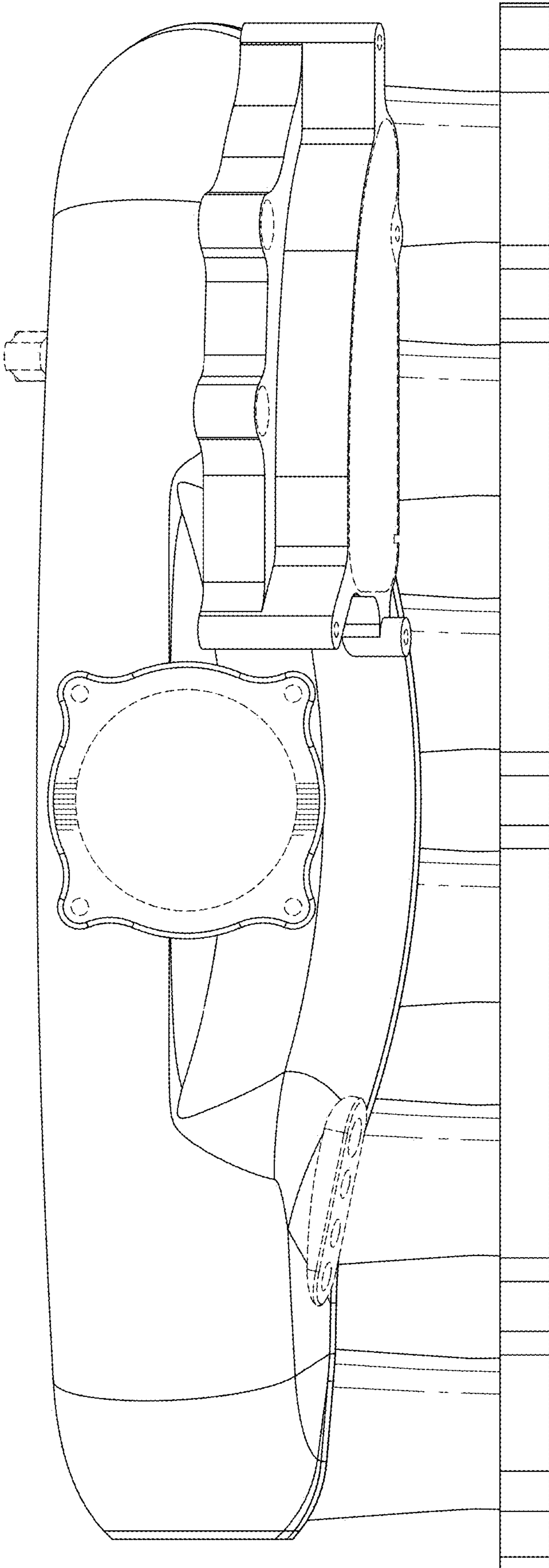


FIG. 3

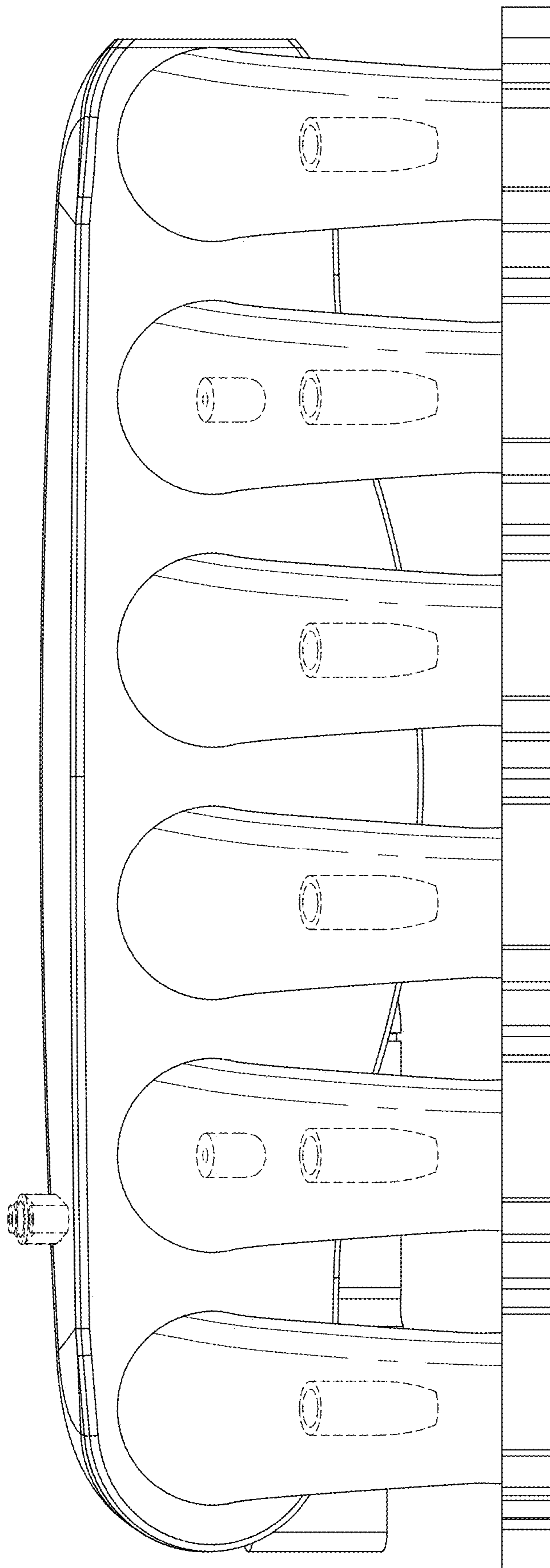


FIG. 4

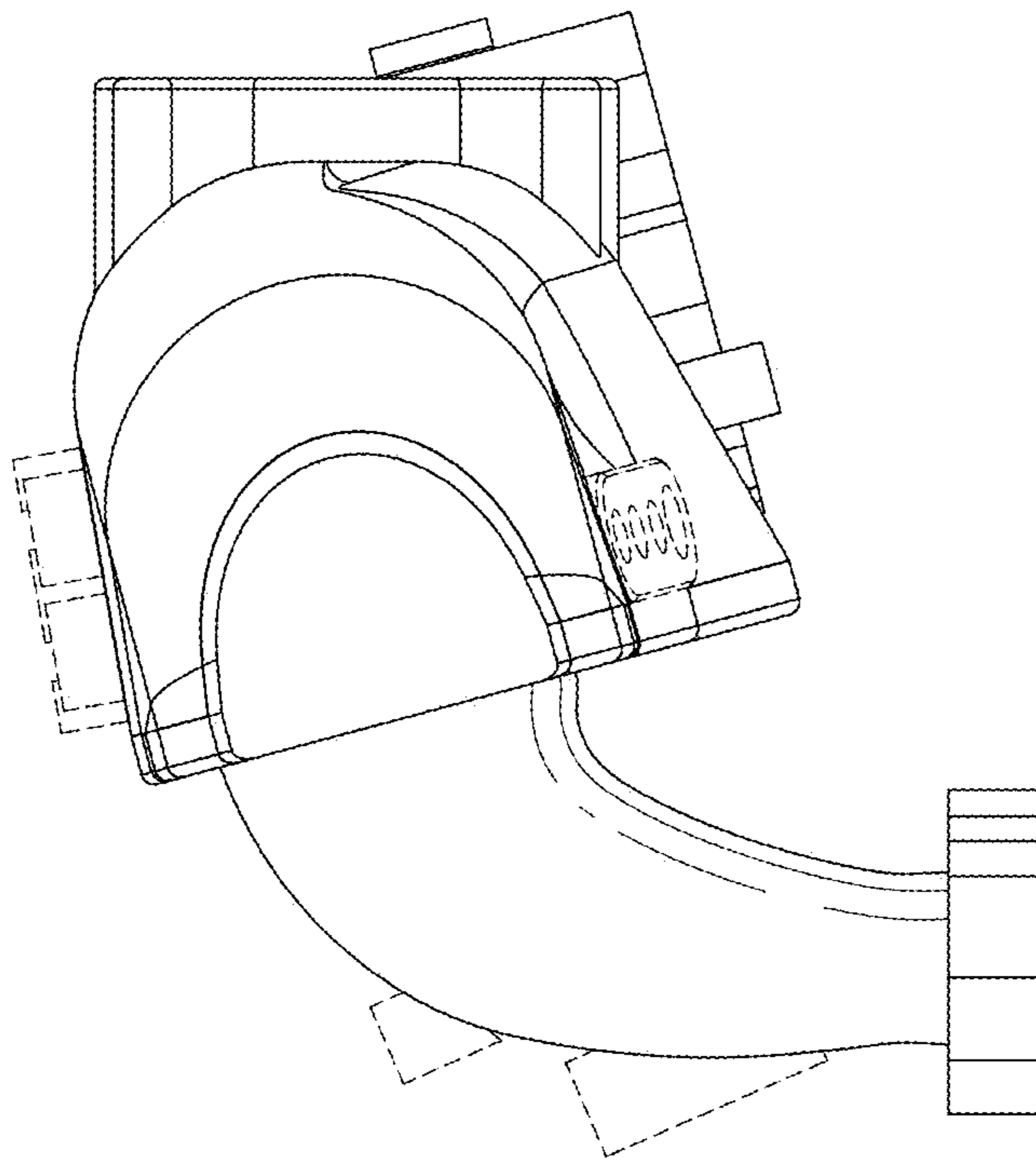


FIG. 5

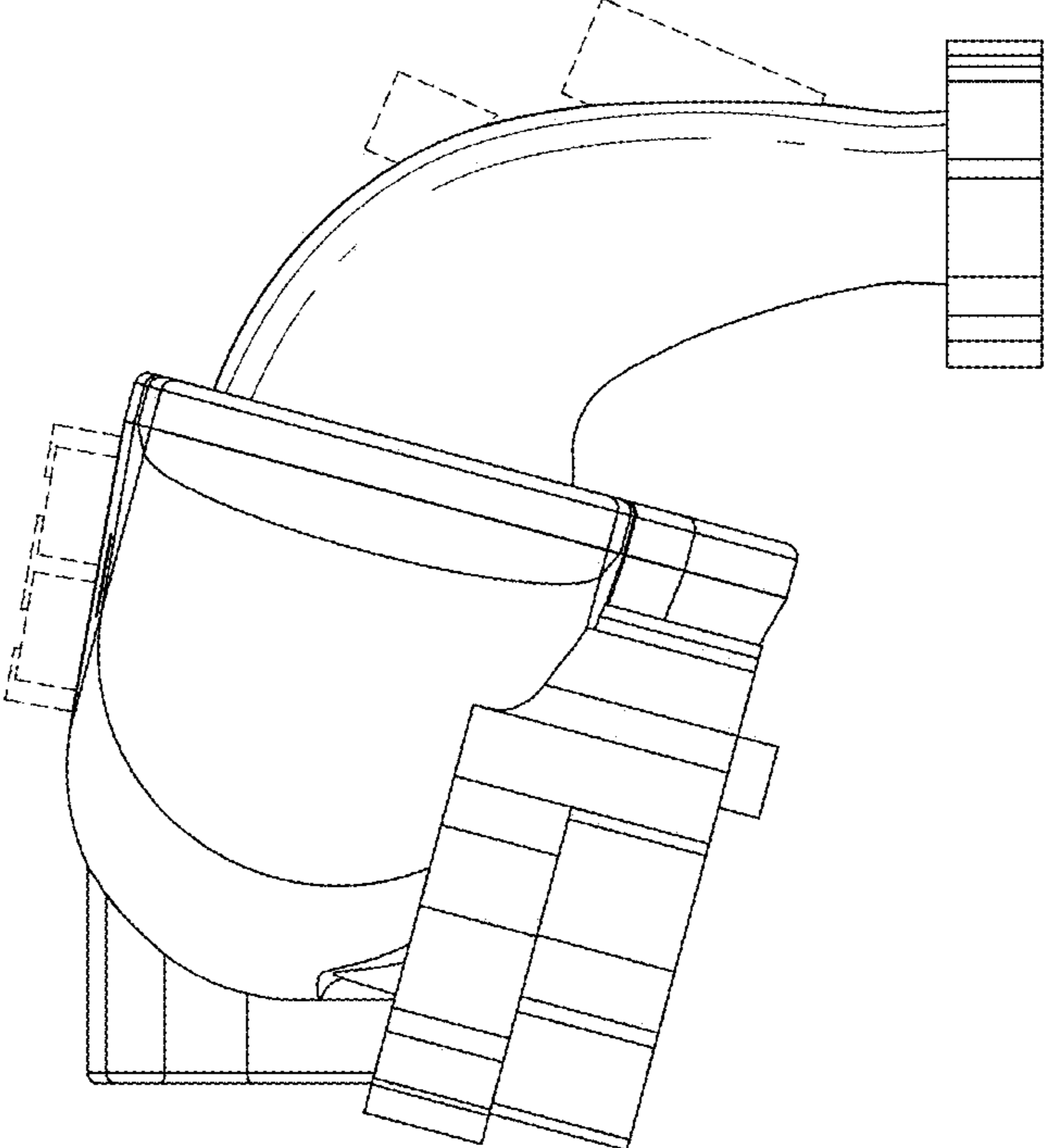


FIG. 6

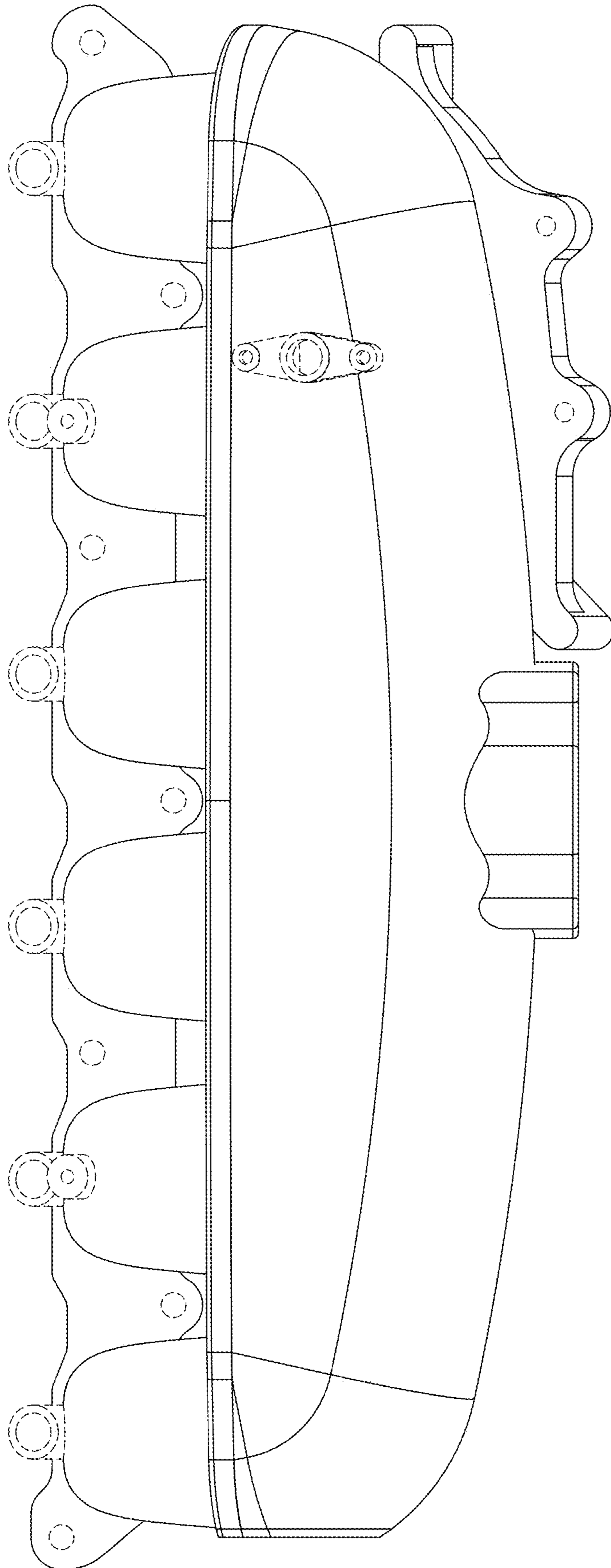


FIG. 7

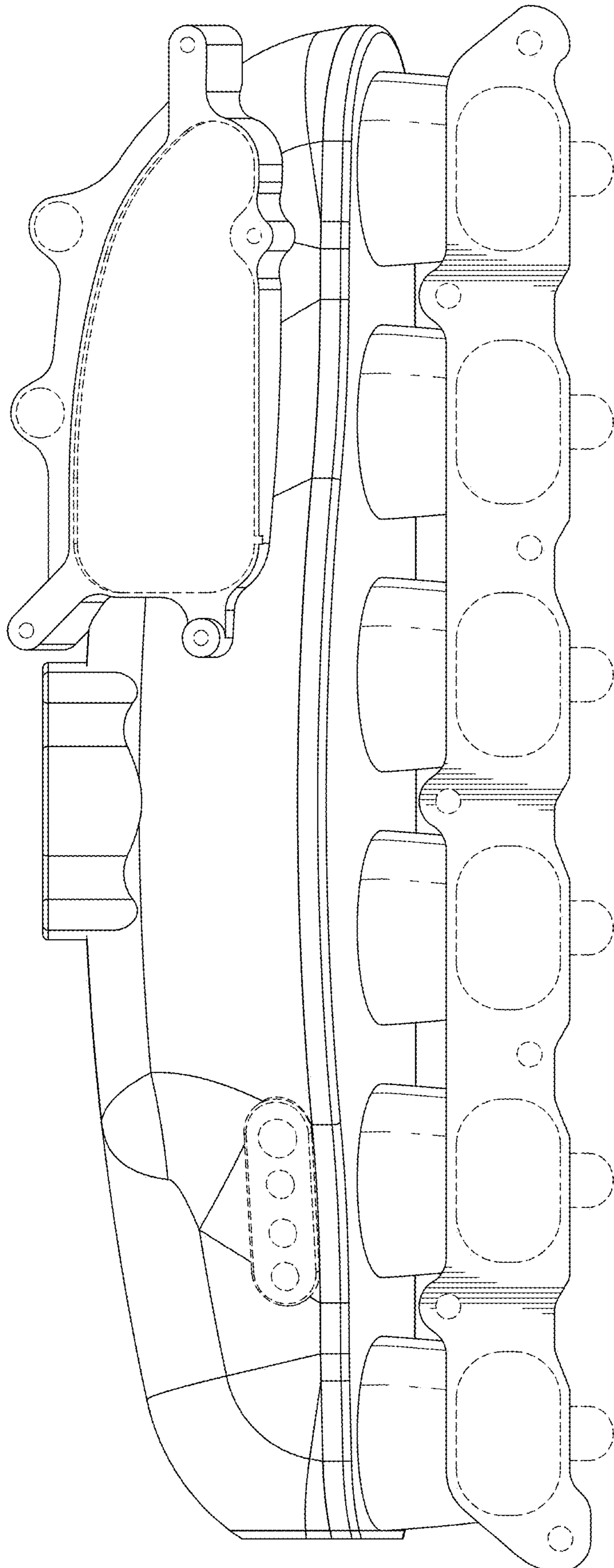


FIG. 8