



US00D900161S

(12) **United States Design Patent** (10) **Patent No.:** **US D900,161 S**
Tafe et al. (45) **Date of Patent:** **** Oct. 27, 2020**

(54) **TRANSMISSION COOLER FOR AUTOMOTIVE APPLICATIONS**
(71) Applicant: **RESOURCE INTERNATIONAL INC.**, New Castle, DE (US)
(72) Inventors: **Dan Tafe**, Newark, DE (US); **Steve Wiley**, Bear, DE (US)
(**) Term: **15 Years**
(21) Appl. No.: **29/664,054**
(22) Filed: **Sep. 21, 2018**
(51) **LOC (12) Cl.** **15-01**
(52) **U.S. Cl.**
USPC **D15/5**
(58) **Field of Classification Search**
USPC D15/1-5; D23/323
CPC F02B 29/0425; F02B 29/0412; F02B 29/0437; F02B 29/0443; F02B 29/045; F28D 7/0066; F28D 1/0408; F28F 1/04; F28F 1/12; F28F 9/02; F28F 21/02; B60H 1/14; B60H 1/3211; B60H 1/00271; B60H 1/3205; B60H 1/00342; F01P 11/08; F01P 11/04; B21D 53/08; F02M 26/27; F02M 26/31; F02M 35/10268
See application file for complete search history.

10,436,083 B1 * 10/2019 Au F01P 11/08
2006/0096568 A1 * 5/2006 Buck F02F 7/0024
123/197.4
2011/0277958 A1 * 11/2011 Richardson F28D 1/05383
165/76
2012/0080174 A1 * 4/2012 Ainley F24F 13/30
165/181
2013/0327511 A1 * 12/2013 Johnston F28F 9/02
165/173
2014/0374077 A1 * 12/2014 Lee F28F 1/12
165/173
2015/0167532 A1 * 6/2015 Kim F01P 3/18
165/41
2018/0347446 A1 * 12/2018 Han F01P 7/02
(Continued)

FOREIGN PATENT DOCUMENTS

DE 102006051864 A1 * 5/2008 F28D 1/0435
Primary Examiner — Ania Aman
(74) *Attorney, Agent, or Firm* — Cozen O'Connor

(57) **CLAIM**

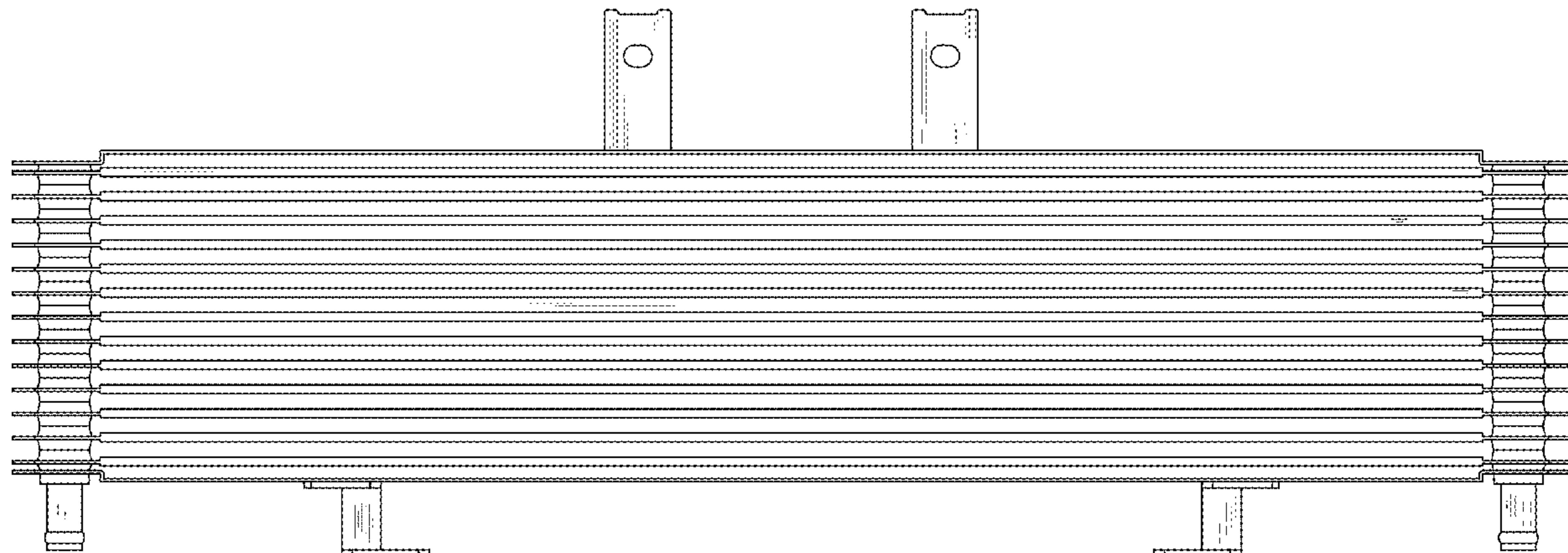
The ornamental design for a transmission cooler for automotive applications, as shown and described.

DESCRIPTION

FIG. 1 is a front view of a transmission cooler for automotive applications showing our new design;
FIG. 2 is a back view thereof;
FIG. 3 is a left view thereof;
FIG. 4 is a right view thereof;
FIG. 5 is a top view thereof;
FIG. 6 is bottom view thereof; and,
FIG. 7 is a perspective view thereof.
The broken lines in the drawing figures show portions of the transmission cooler for automotive applications which form no part of the claimed design.
The shade lines in the figures show contour and not surface ornamentation.

1 Claim, 6 Drawing Sheets

(56) **References Cited**
U.S. PATENT DOCUMENTS
3,208,438 A * 9/1965 White F01P 11/02
123/41.5
3,704,458 A * 11/1972 Buchanan F16N 29/04
340/451
D233,984 S * 12/1974 Hauser D15/5
4,167,969 A * 9/1979 Ritzenthaler F01P 11/08
165/51
D265,403 S * 7/1982 Gewelber D12/114
D278,243 S * 4/1985 Gewelber D12/114
D719,649 S * 12/2014 Ainley D23/323



(56)

References Cited

U.S. PATENT DOCUMENTS

2019/0170445 A1* 6/2019 McCaffrey F28D 9/0093
2019/0309675 A1* 10/2019 Nishiyama F01P 11/04

* cited by examiner

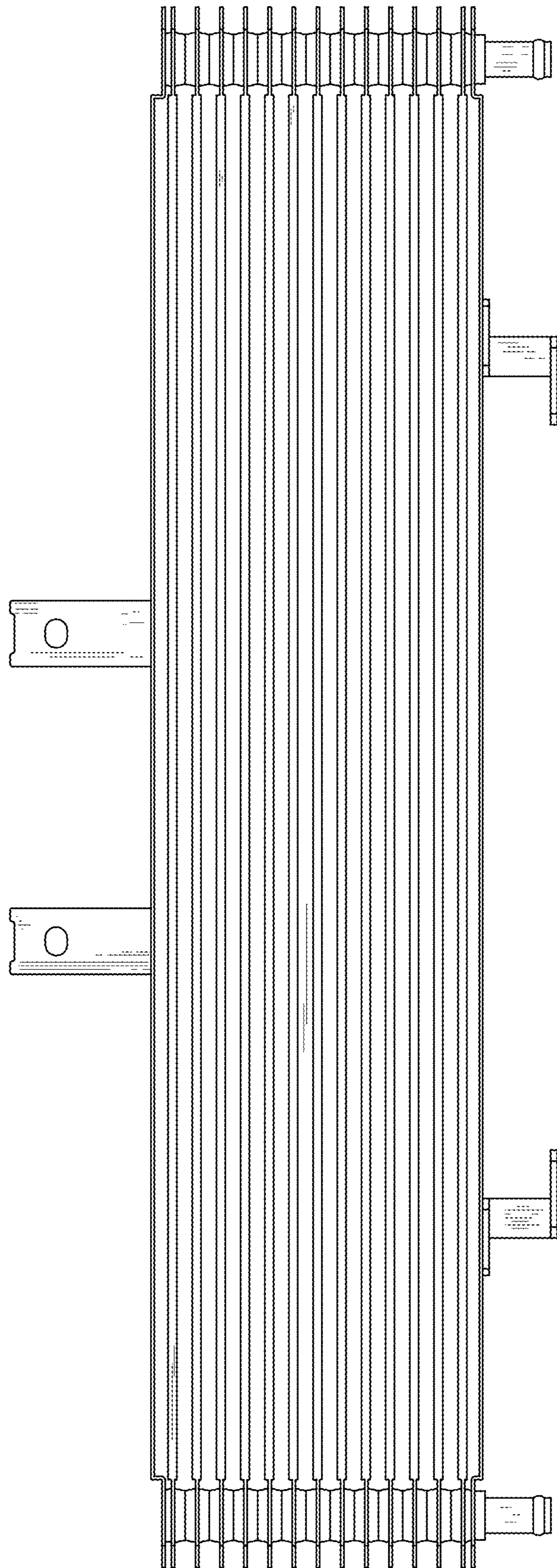


FIGURE 1

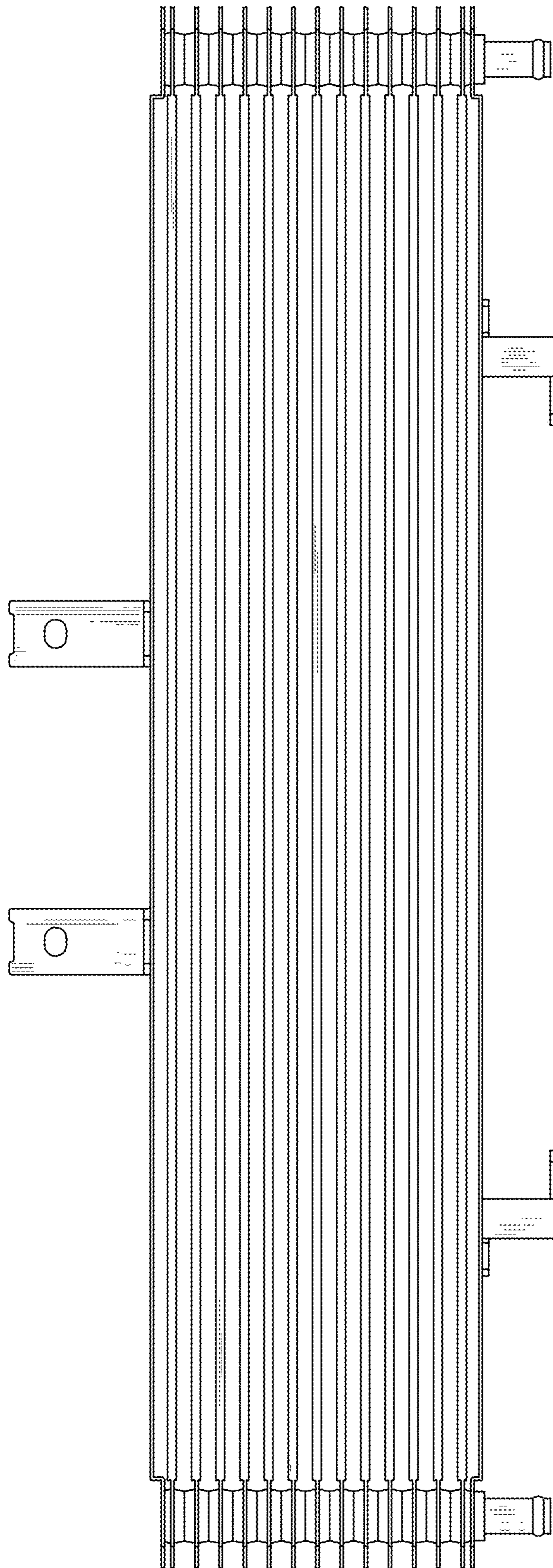


FIGURE 2

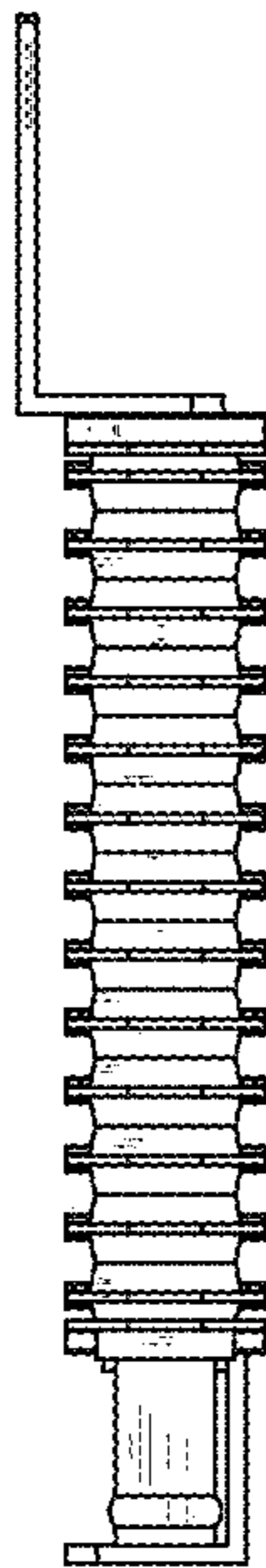


FIGURE 3

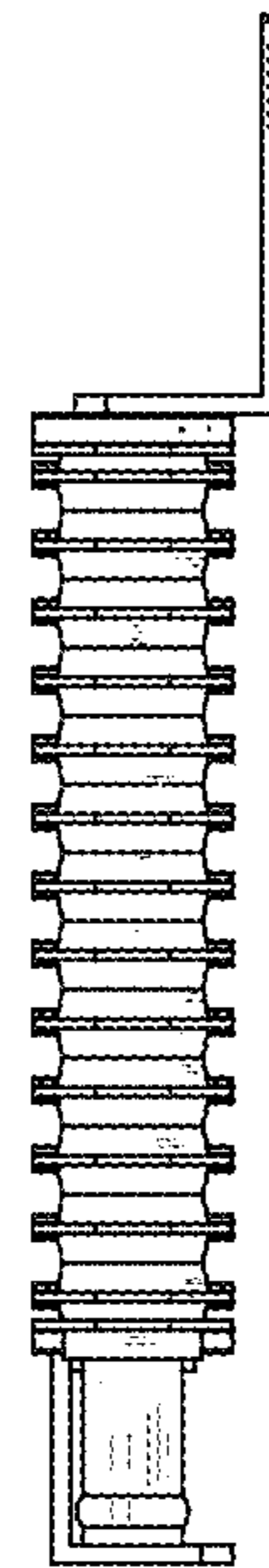


FIGURE 4



FIGURE 5

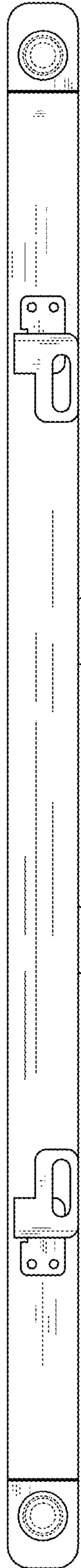


FIGURE 6

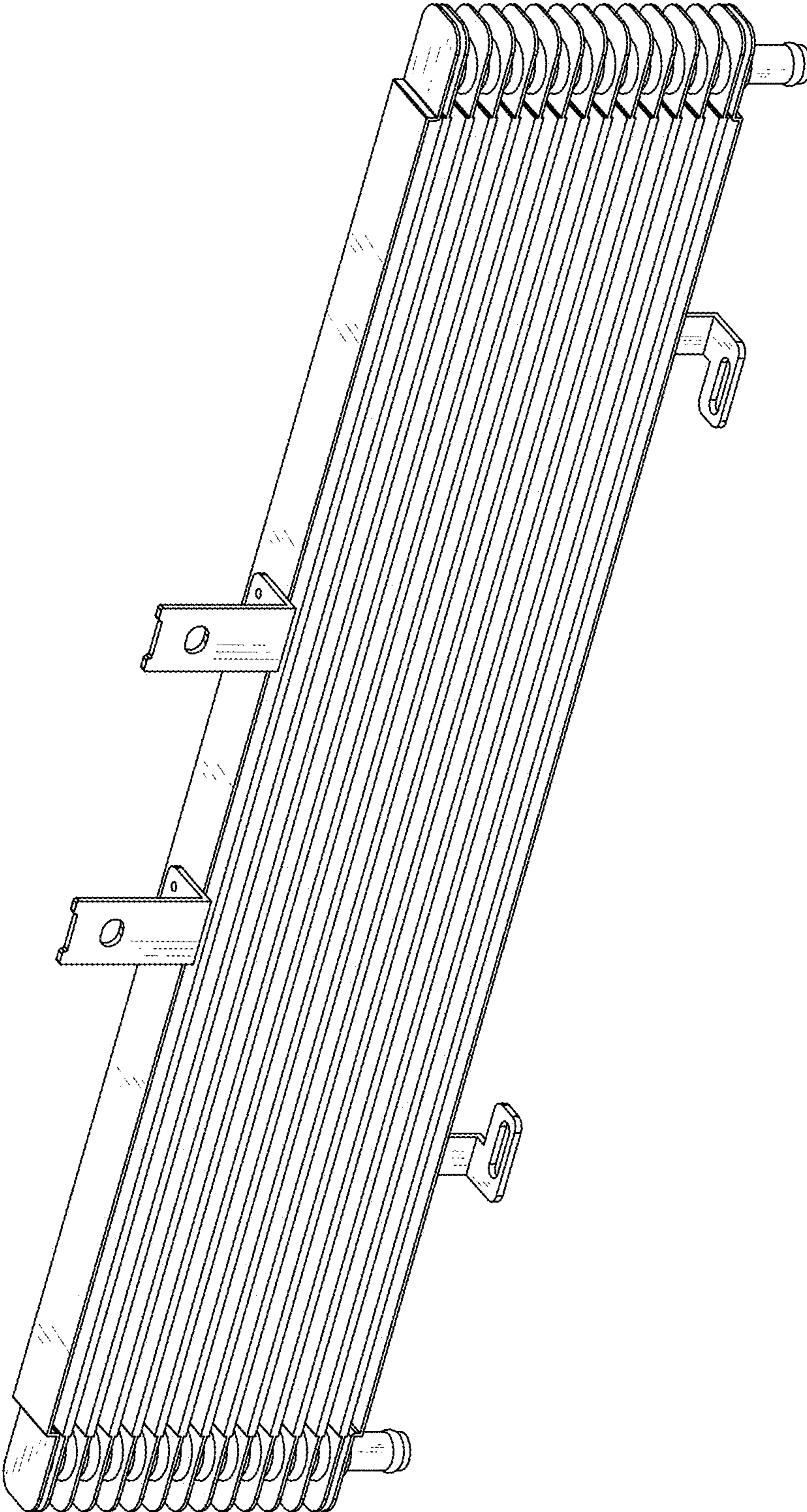


FIGURE 7