



US00D900160S

(12) **United States Design Patent** (10) **Patent No.:** **US D900,160 S**  
**Hudnall et al.** (45) **Date of Patent:** **\*\* Oct. 27, 2020**

(54) **POWER STEERING PUMP BRACKET**

FOREIGN PATENT DOCUMENTS

(71) Applicant: **Holley Performance Products, Inc.**,  
Bowling Green, KY (US)

AU 201910217 3/2019  
AU 201911574 4/2019

(72) Inventors: **Coy Hudnall**, Bowling Green, KY  
(US); **Kevin Tracy**, Port Charlotte, FL  
(US)

OTHER PUBLICATIONS

Holley, 2017 New & Hot Products Catalog, 3 pages, 2016.

(Continued)

(73) Assignee: **Holley Performance Products, Inc.**,  
Bowling Green, KY (US)

*Primary Examiner* — Ania Aman

(\*\*) Term: **15 Years**

(74) *Attorney, Agent, or Firm* — Middleton Reutlinger

(21) Appl. No.: **29/658,720**

(57) **CLAIM**

(22) Filed: **Aug. 2, 2018**

The ornamental design for a power steering pump bracket,  
as shown and described.

(51) **LOC (12) Cl.** ..... **15-01**

(52) **U.S. Cl.**  
USPC ..... **D15/5**

**DESCRIPTION**

(58) **Field of Classification Search**  
USPC ..... D15/1–9, 143; D23/231, 232, 225;  
D12/160, 159, 223, 114, 162; D8/14,  
D8/349, 354, 382, 499  
CPC .... F04D 29/426; F04D 29/126; F04D 29/445;  
F04D 29/086; F04D 29/167; F04D 29/44;  
F04D 29/58; F04D 29/60; F04D 29/601;  
F04D 29/602; F04D 29/00; F04D 29/002;  
F04D 29/005; F04D 29/007

FIG. 1 is a first perspective view of a first design of a power steering pump bracket;  
FIG. 2 is a second perspective of the design of FIG. 1;  
FIG. 3 is a top view of the design of FIG. 1;  
FIG. 4 is a bottom view of the design of FIG. 1;  
FIG. 5 is a left side view of the design of FIG. 1;  
FIG. 6 is a right side of the design of FIG. 1;  
FIG. 7 is a front view of the design of FIG. 1;  
FIG. 8 is a rear view of the design of FIG. 1;  
FIG. 9 is a first perspective view of a second design of a power steering pump bracket;  
FIG. 10 is a second perspective of the design of FIG. 9;  
FIG. 11 is a top view of the design of FIG. 9;  
FIG. 12 is a bottom view of the design of FIG. 9;  
FIG. 13 is a left side view of the design of FIG. 9;  
FIG. 14 is a right side of the design of FIG. 9;  
FIG. 15 is a front view of the design of FIG. 9; and,  
FIG. 16 is a rear view of the design of FIG. 9.

See application file for complete search history.

In the drawings, the broken lines depict unclaimed portions of the power steering pump bracket only and form no part of the claimed design.

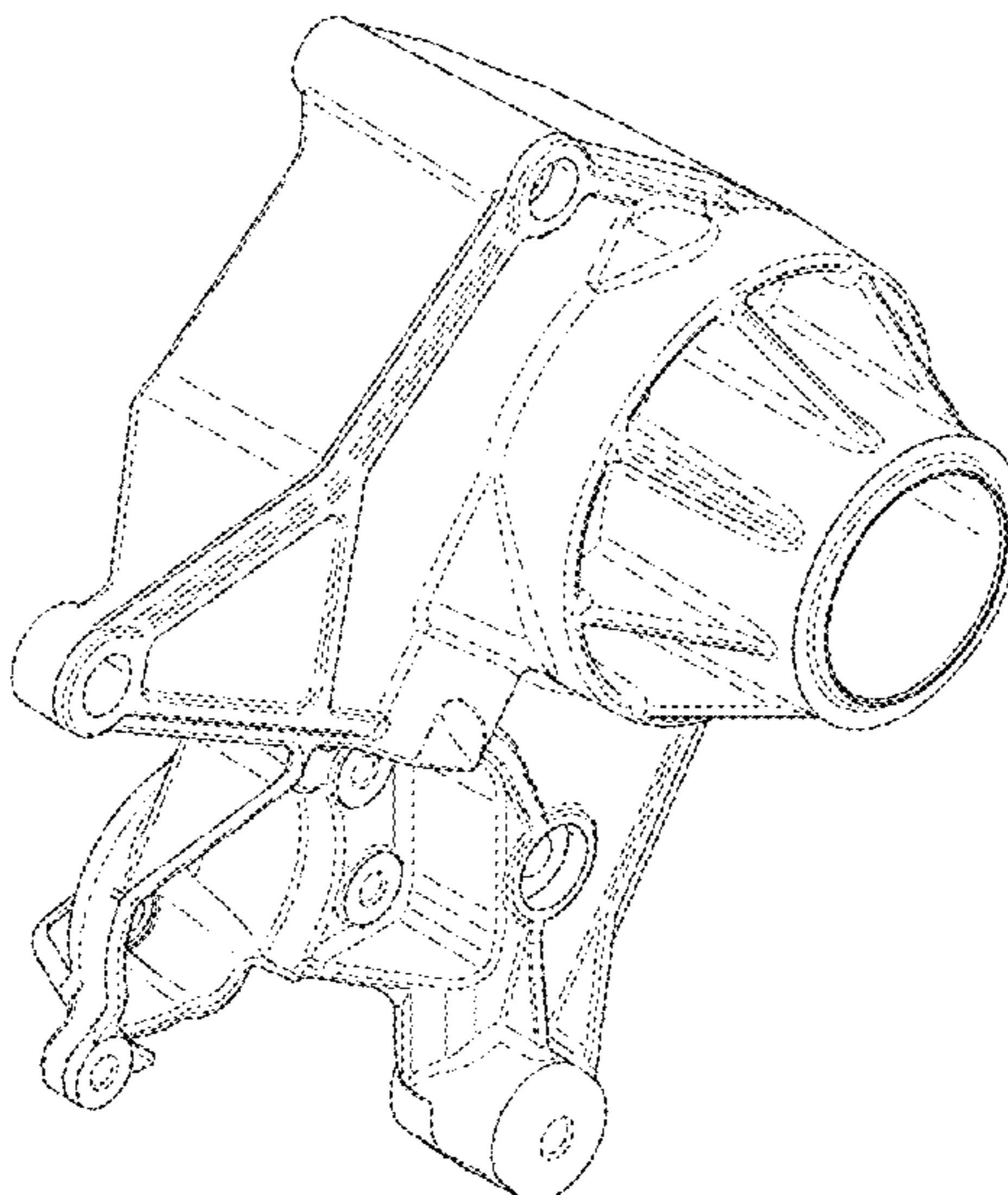
(56) **References Cited**

U.S. PATENT DOCUMENTS

D268,585 S \* 4/1983 Drakulic ..... D15/5  
D383,140 S \* 9/1997 Middlebrook ..... D15/5  
D645,055 S 9/2011 Benoit  
D645,057 S 9/2011 Benoit  
D645,058 S 9/2011 Benoit  
D645,478 S \* 9/2011 Iwanicki ..... D15/7  
D680,134 S 4/2013 Fordyce et al.  
D696,300 S 12/2013 Arotzarena et al.  
D775,235 S \* 12/2016 Huckey ..... D15/5

(Continued)

**1 Claim, 16 Drawing Sheets**



(56)

**References Cited**

U.S. PATENT DOCUMENTS

D800,785 S \* 10/2017 Kallur Parasuraman ..... D15/5  
9,879,662 B2 1/2018 Weckerly et al.  
D845,350 S \* 4/2019 Gillespie ..... D15/5  
D865,079 S \* 10/2019 Ewing ..... D21/561  
2012/0294731 A1 11/2012 Weckerly et al.  
2012/0294732 A1 11/2012 Weckerly et al.  
2014/0199165 A1\* 7/2014 Pohler ..... F04D 7/045  
415/204  
2018/0031086 A1\* 2/2018 Lee ..... F16H 7/14  
2018/0149147 A1 5/2018 Weckerly et al.

OTHER PUBLICATIONS

IP Australia, Formalities Notice No. 1 for application No. 201910217 dated Feb. 26, 2019.

Design U.S. Appl. No. 29/662,532 entitled "Pump Adapter", filed Sep. 6, 2018.

Utility U.S. Appl. No. 16/553,619 entitled "Pump Adapter", filed Aug. 28, 2019.

\* cited by examiner

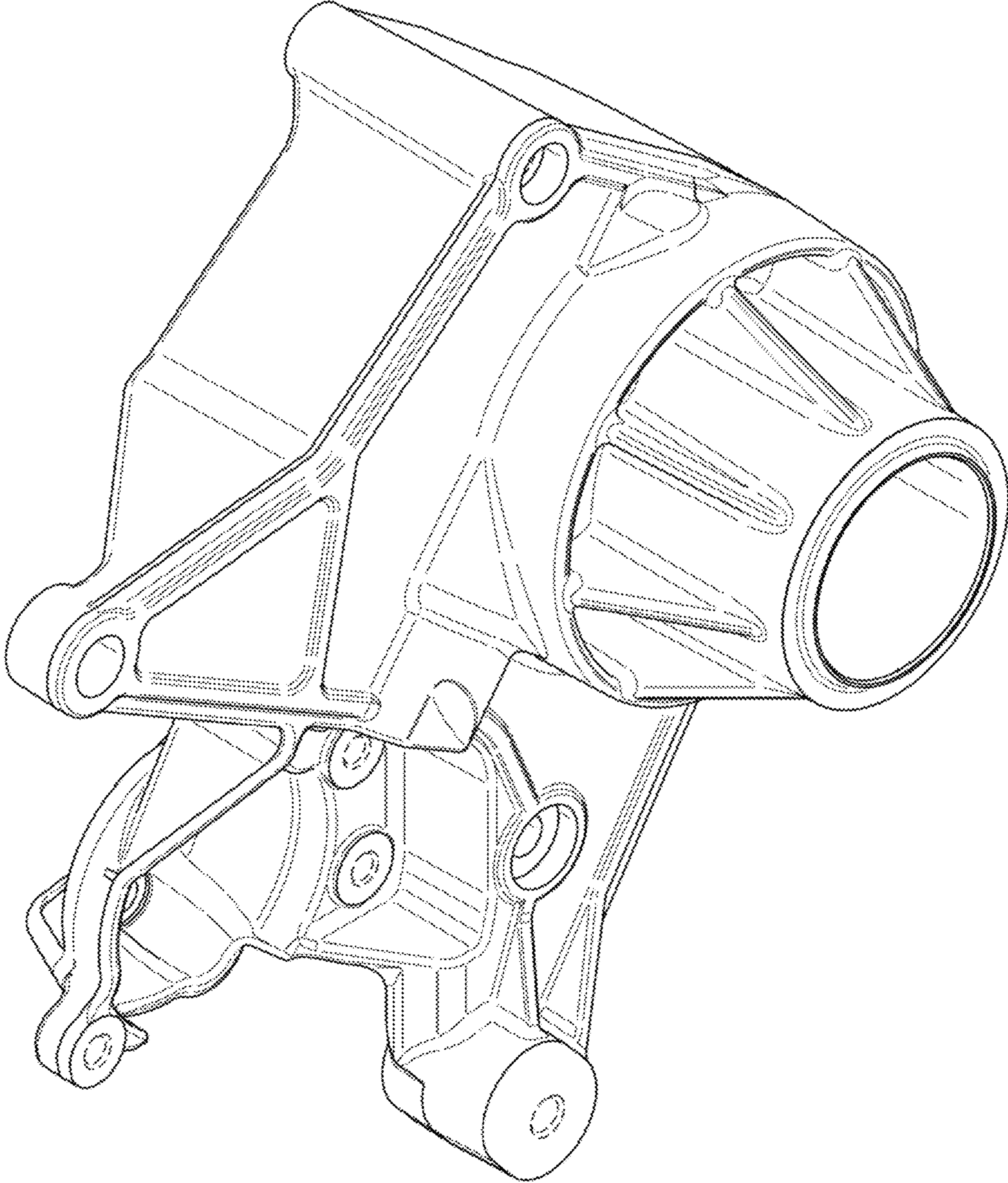


FIG. 1

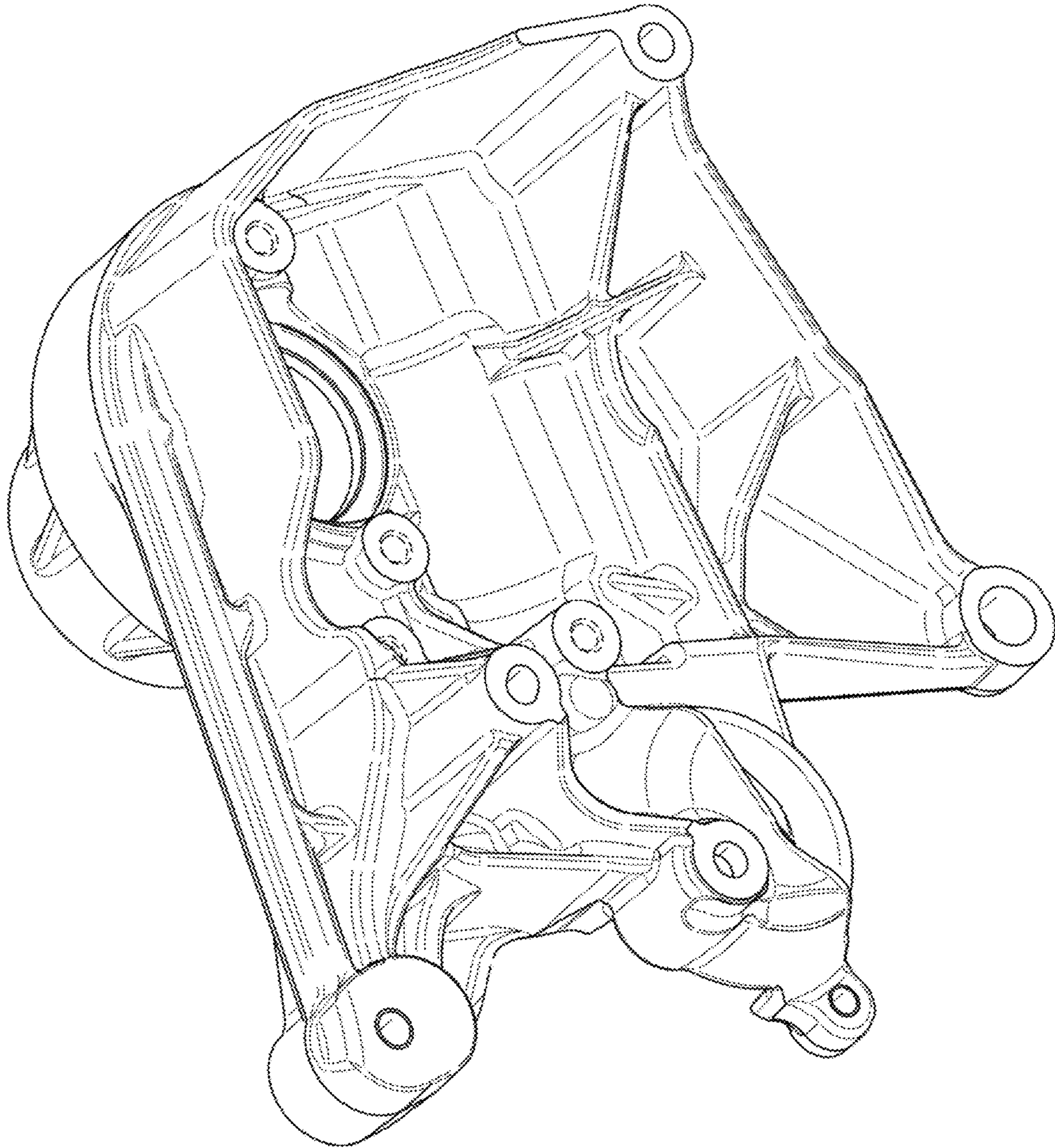


FIG. 2

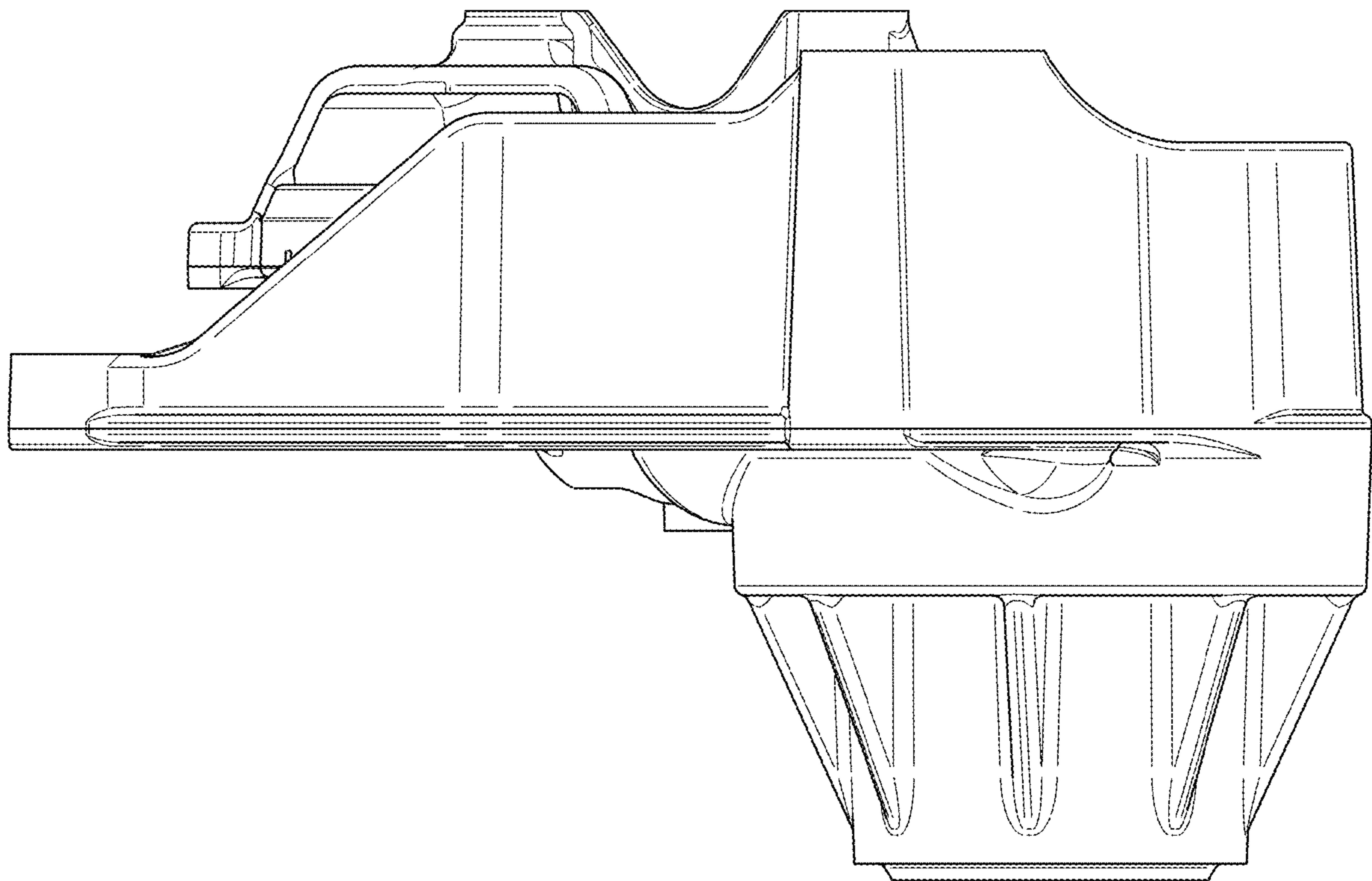


FIG. 3

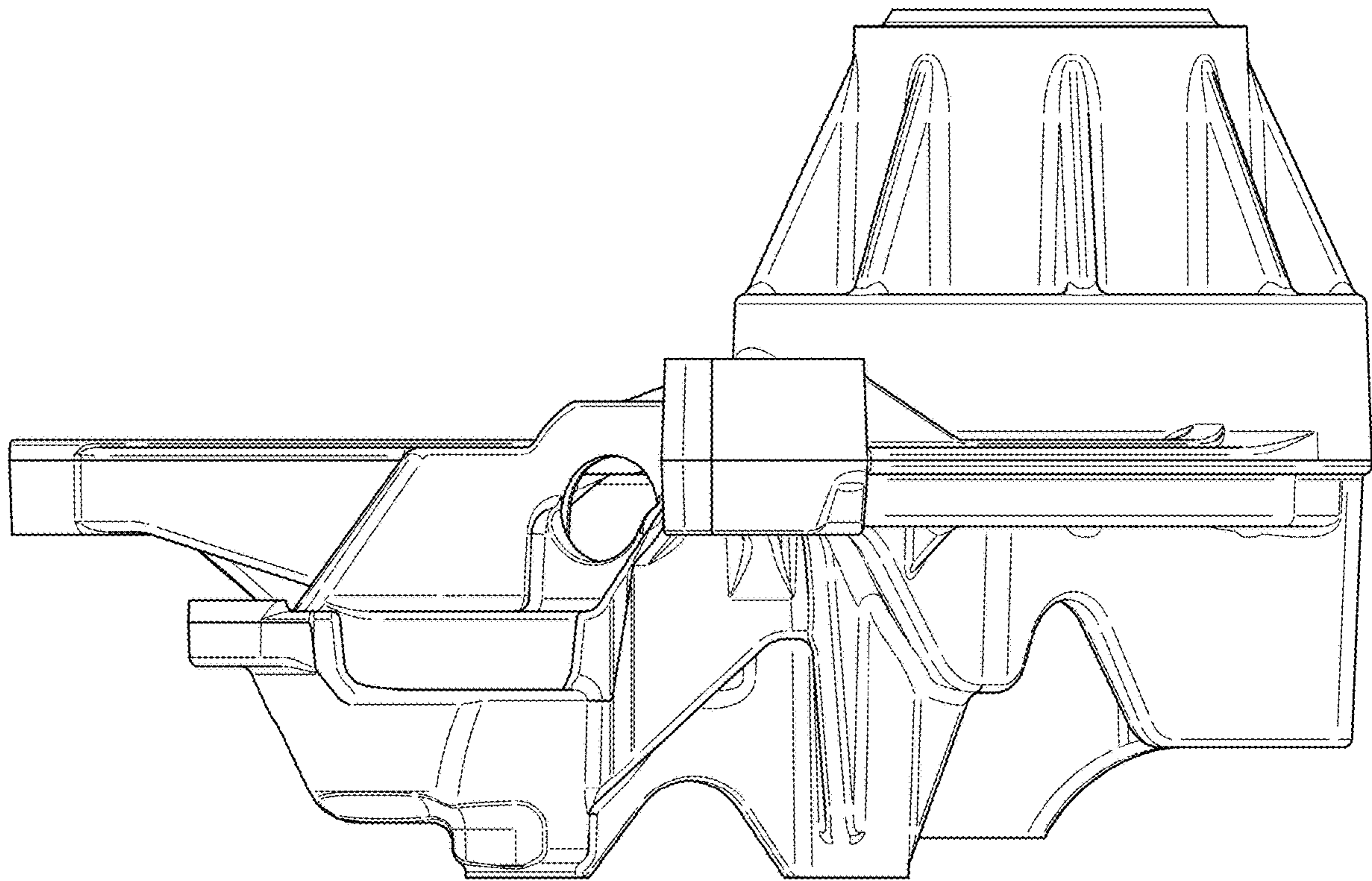


FIG. 4

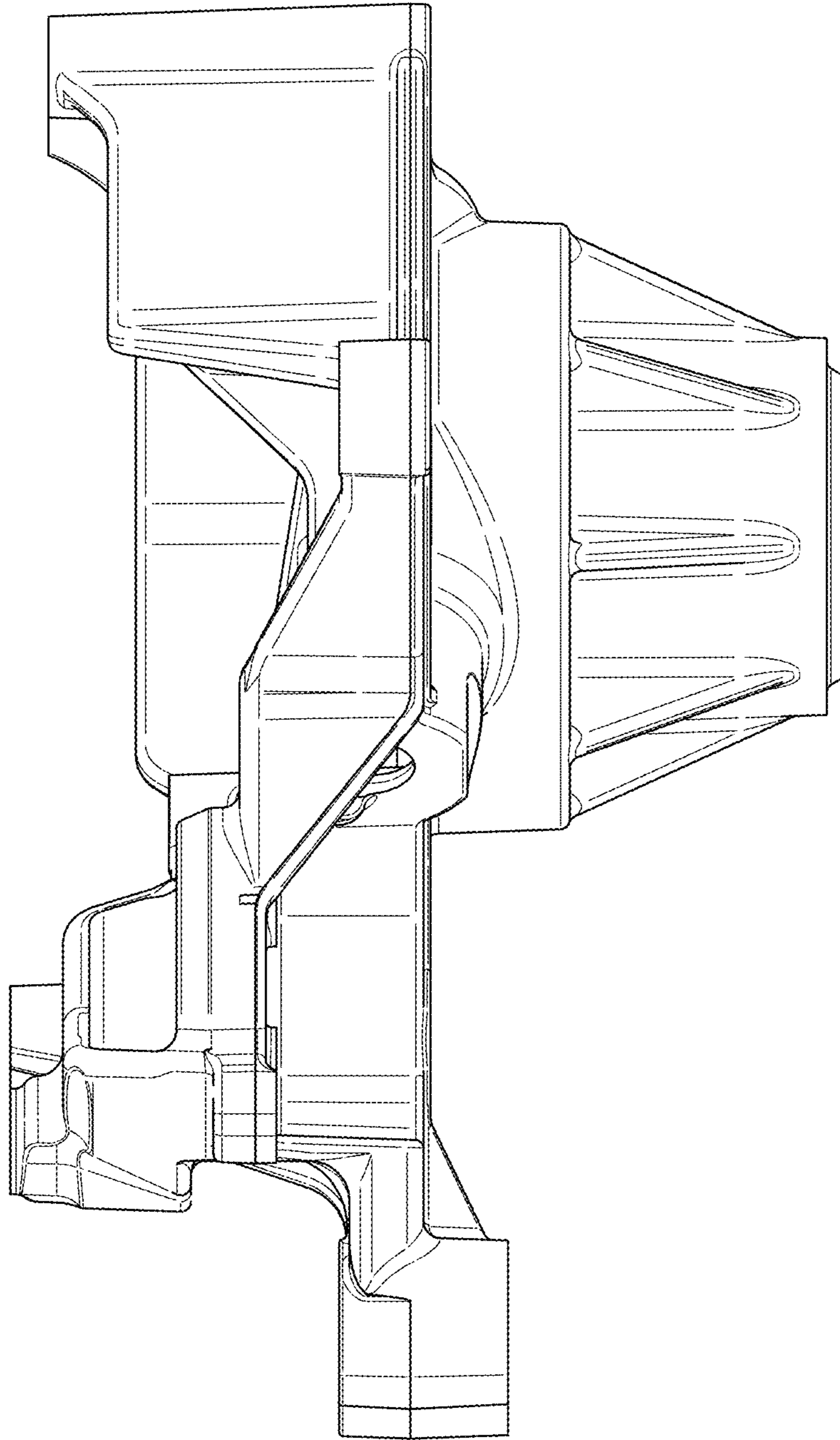


FIG. 5

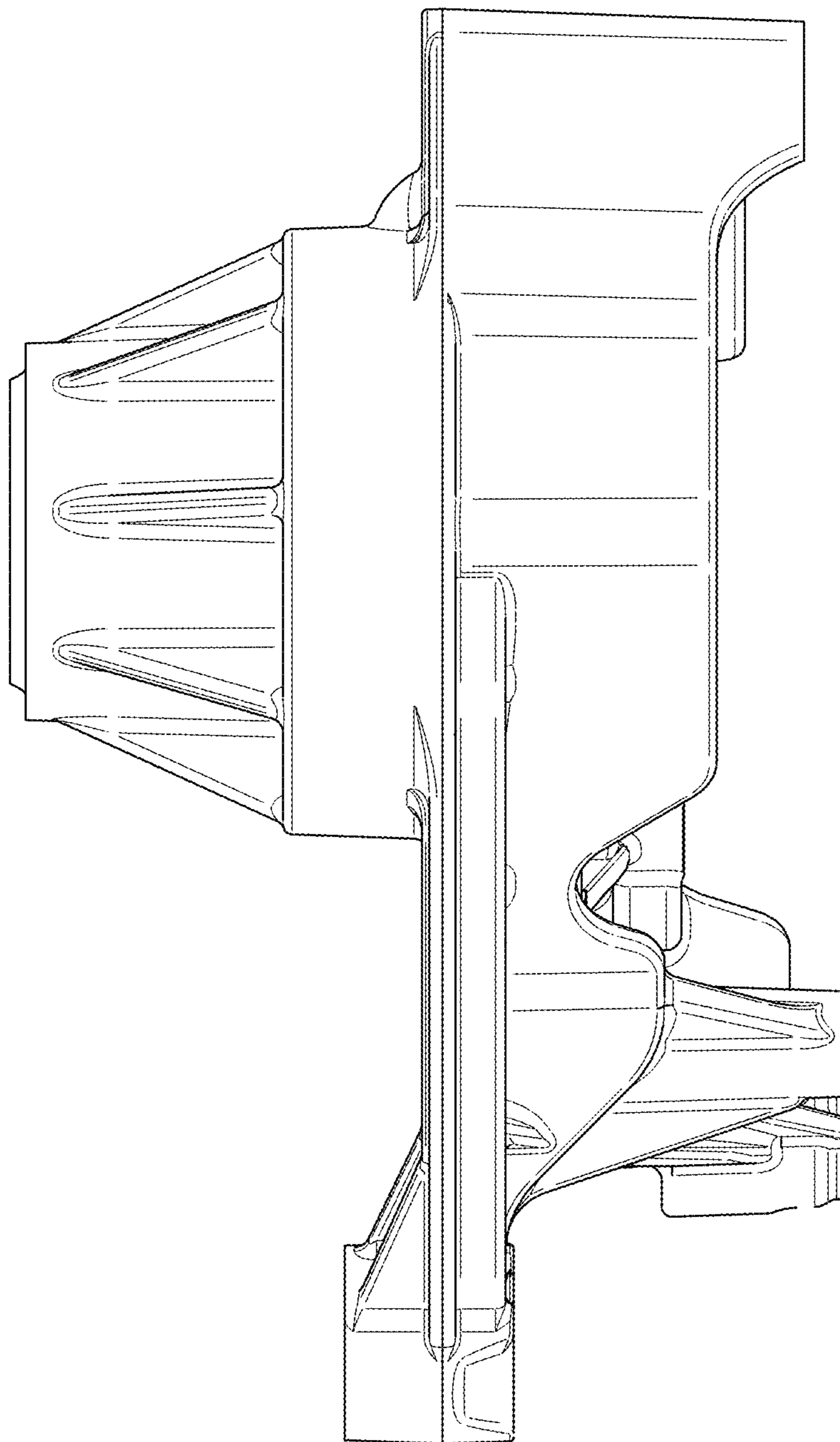


FIG. 6



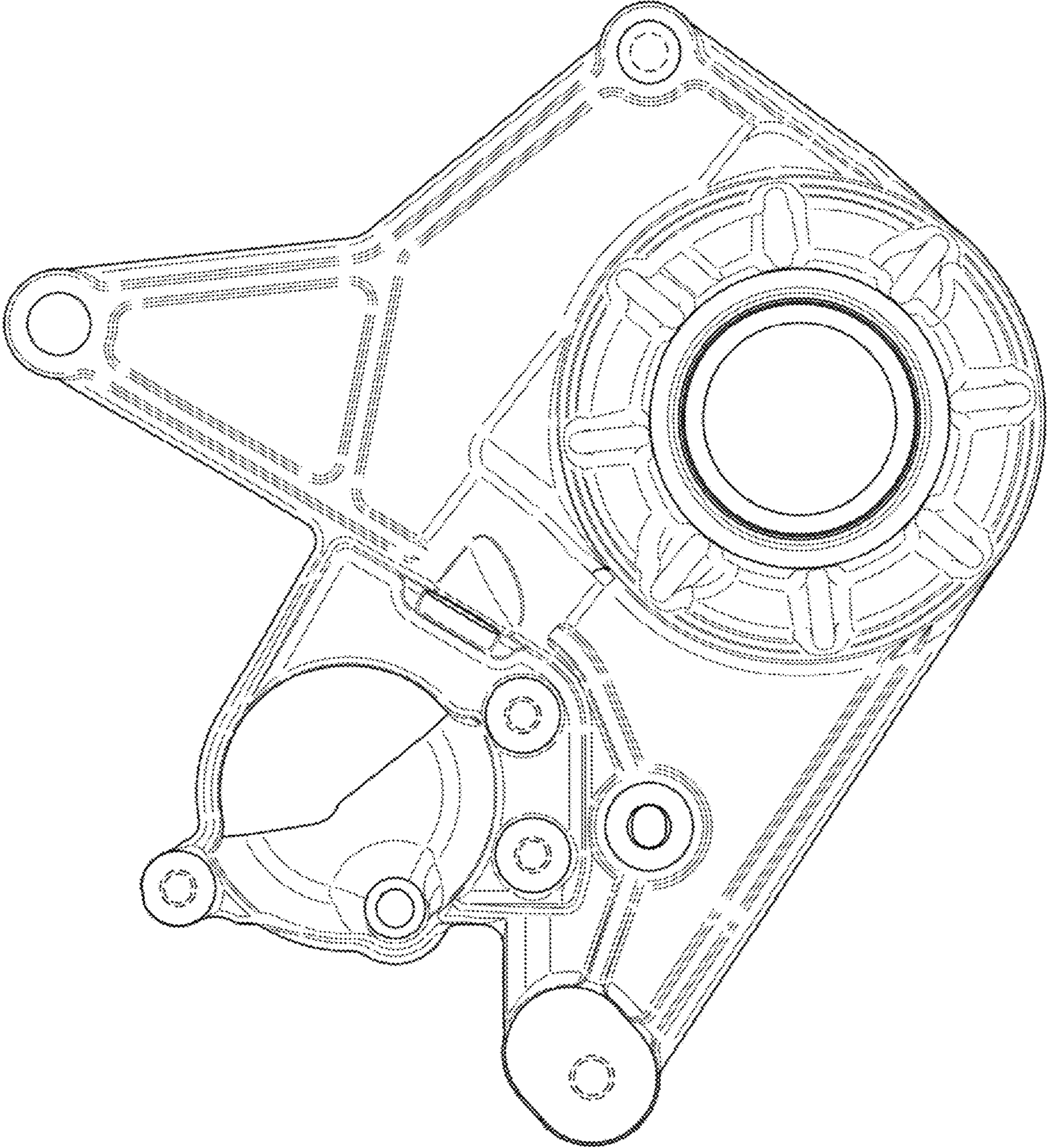


FIG. 7

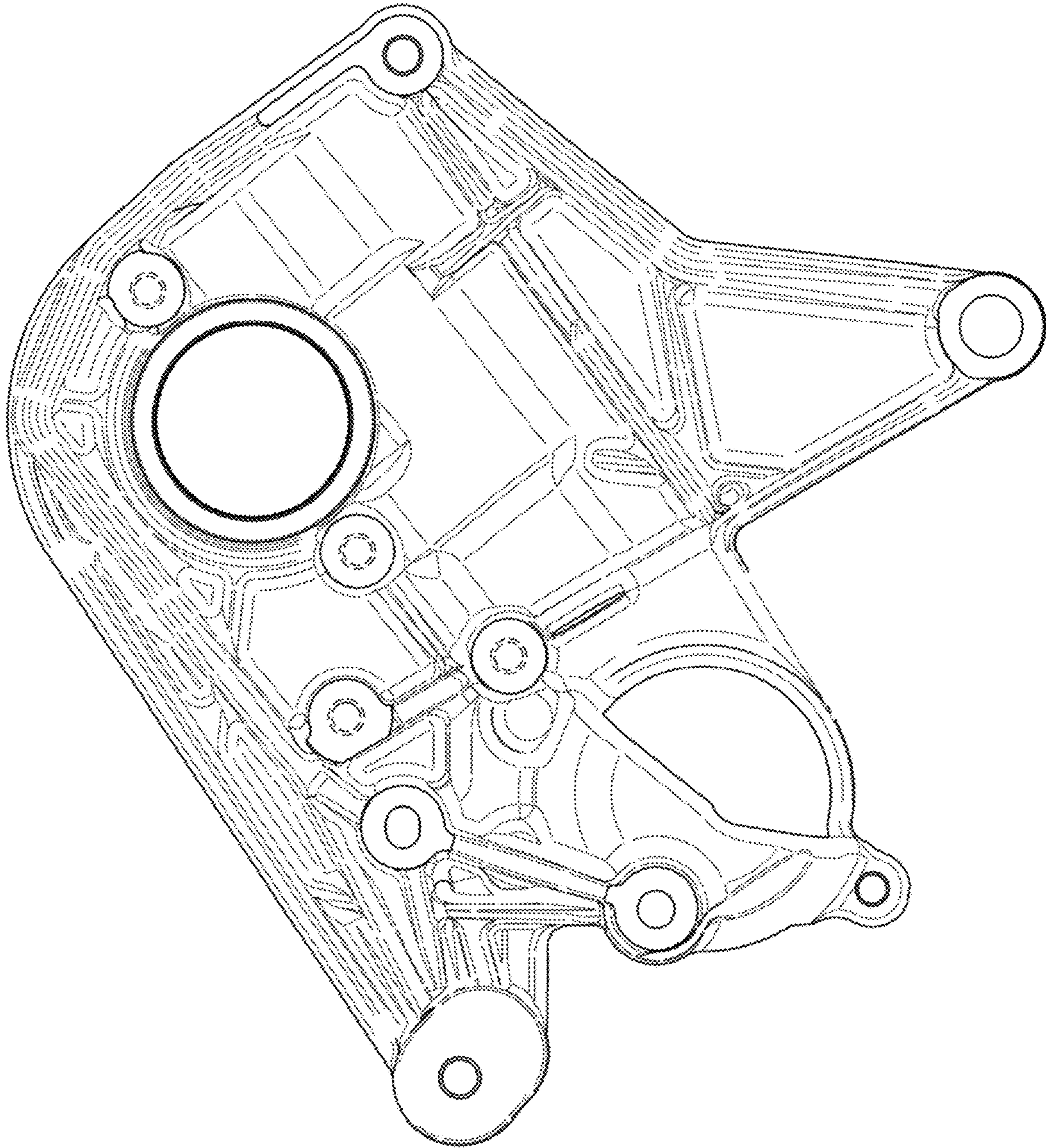


FIG. 8

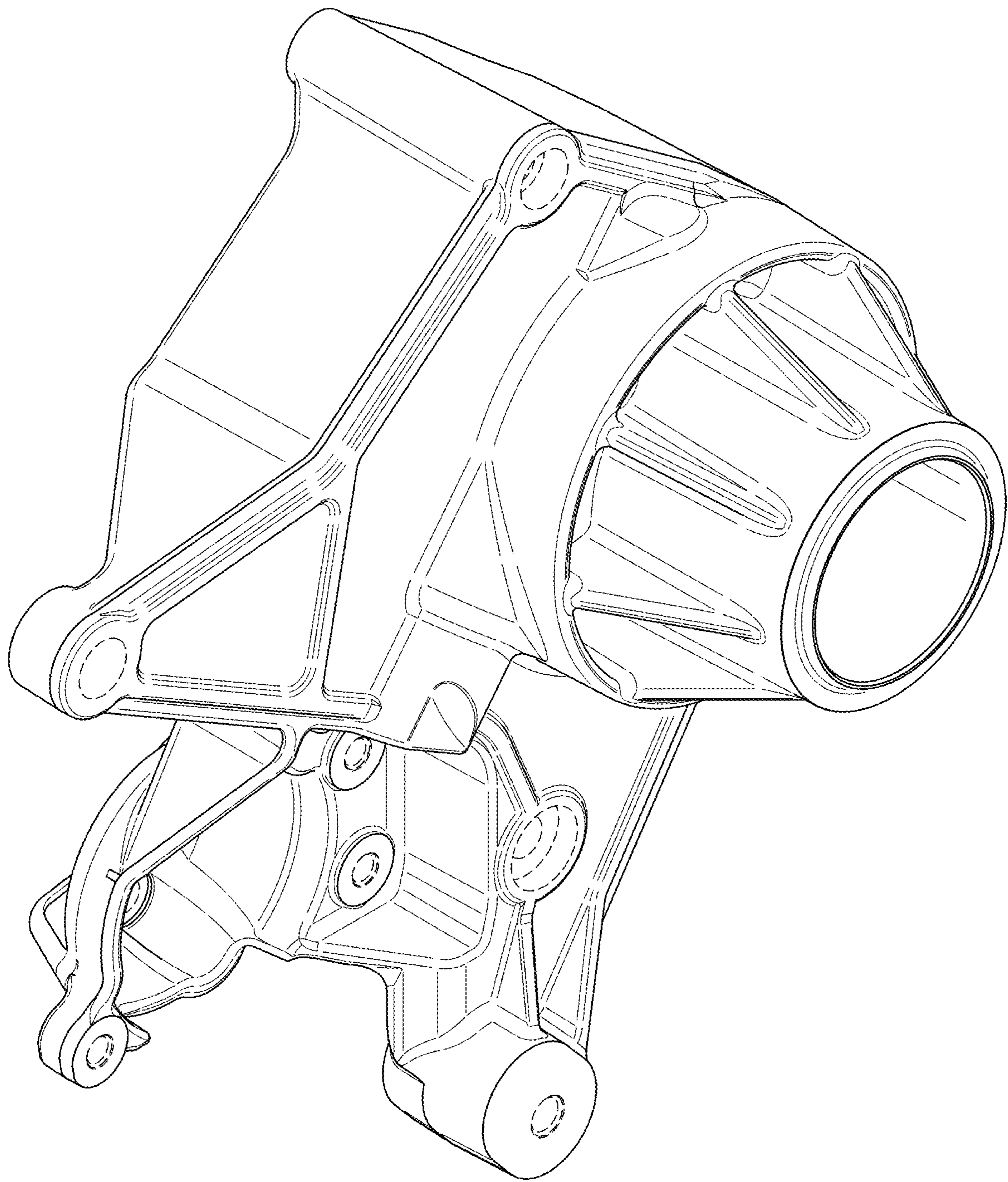


FIG. 9

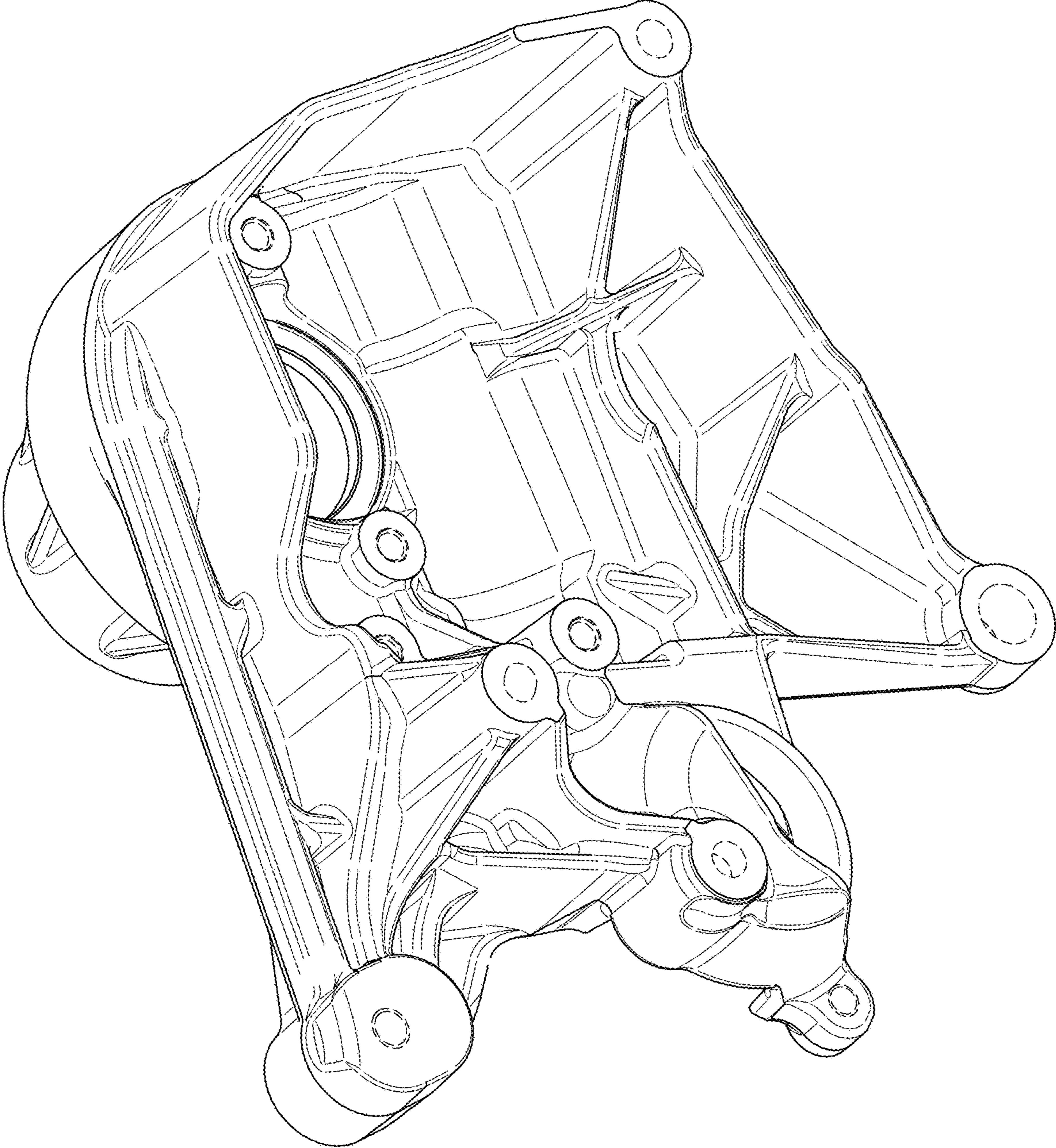
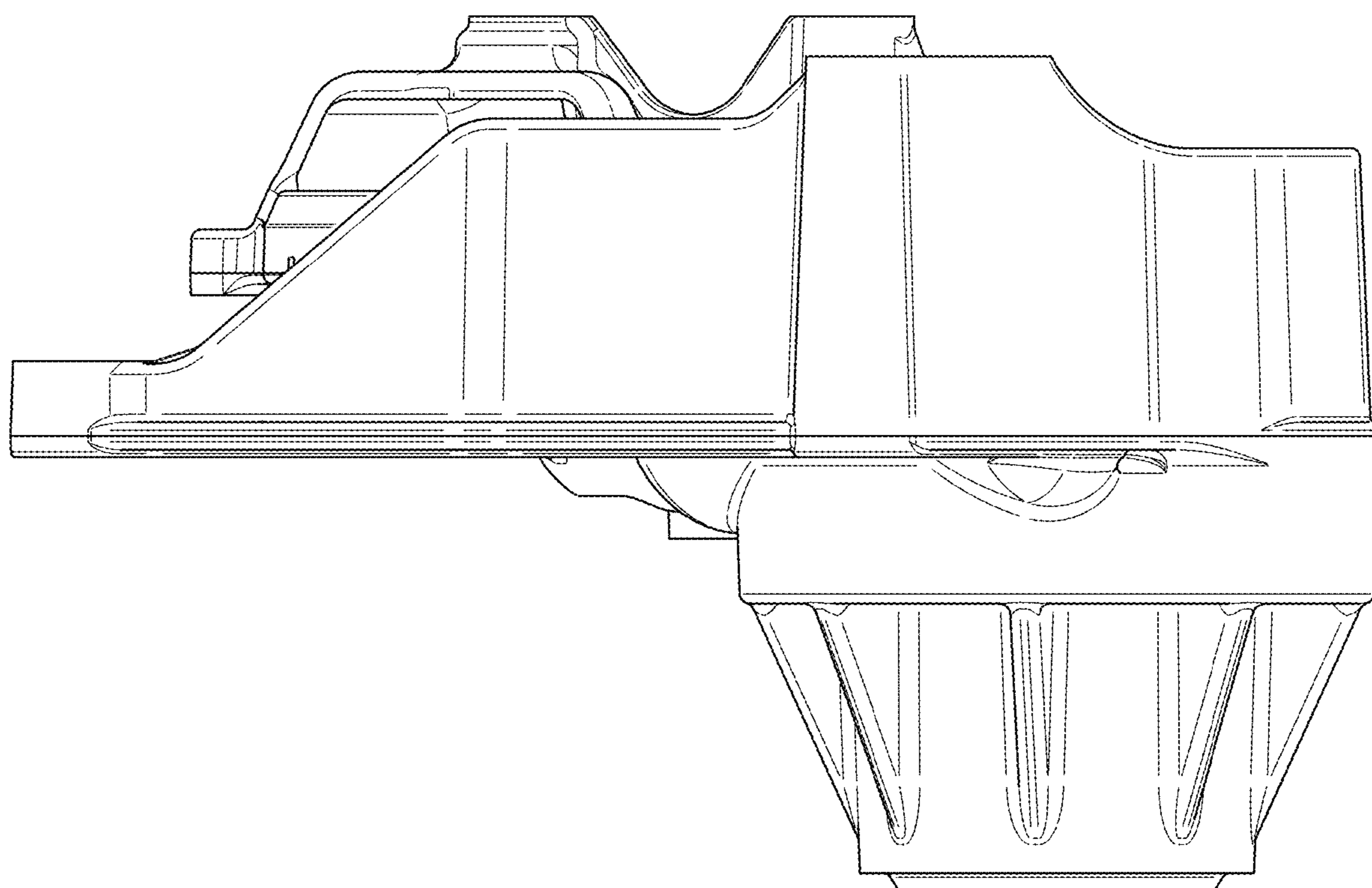


FIG. 10



*FIG. 11*

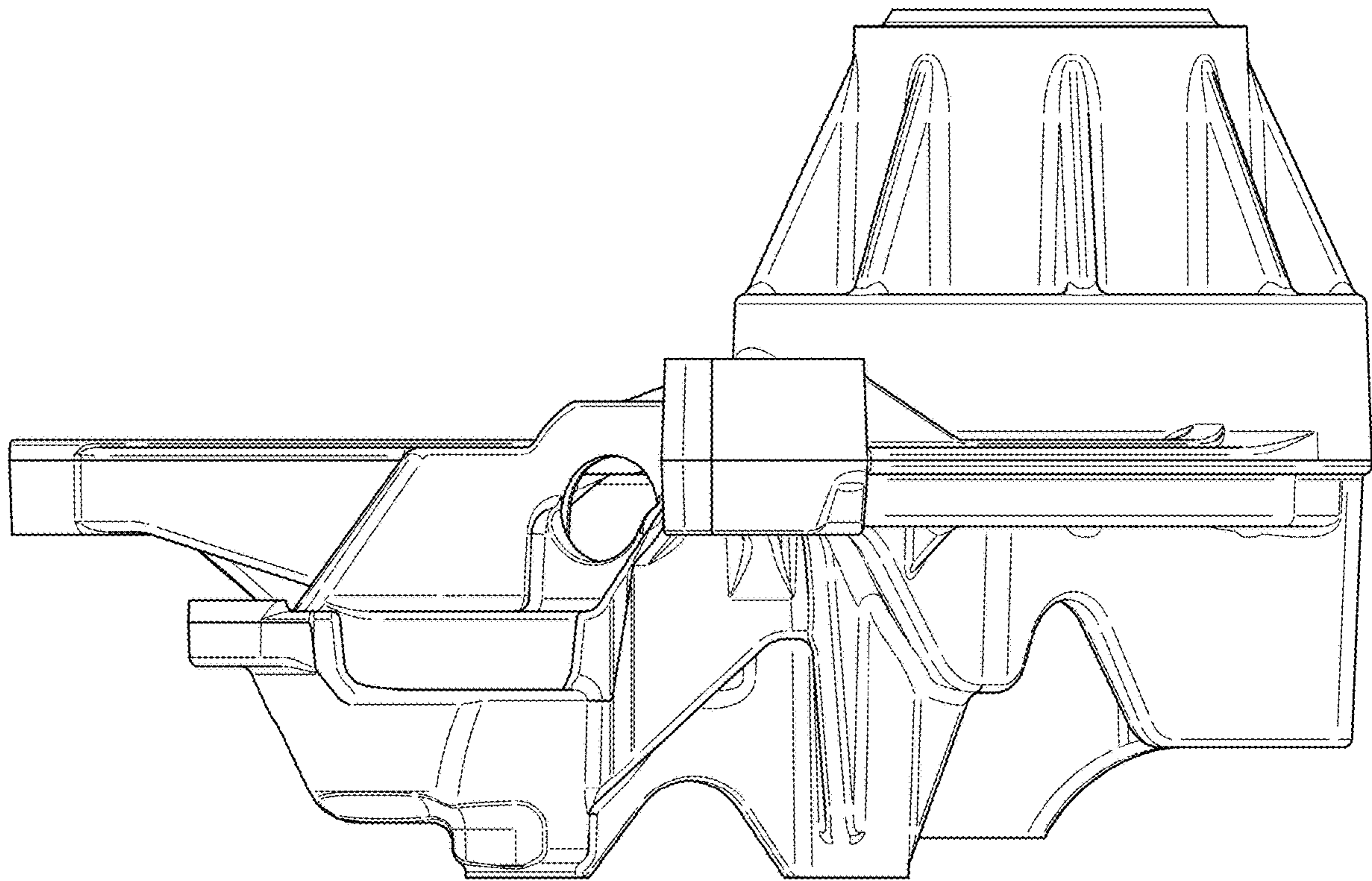


FIG. 12

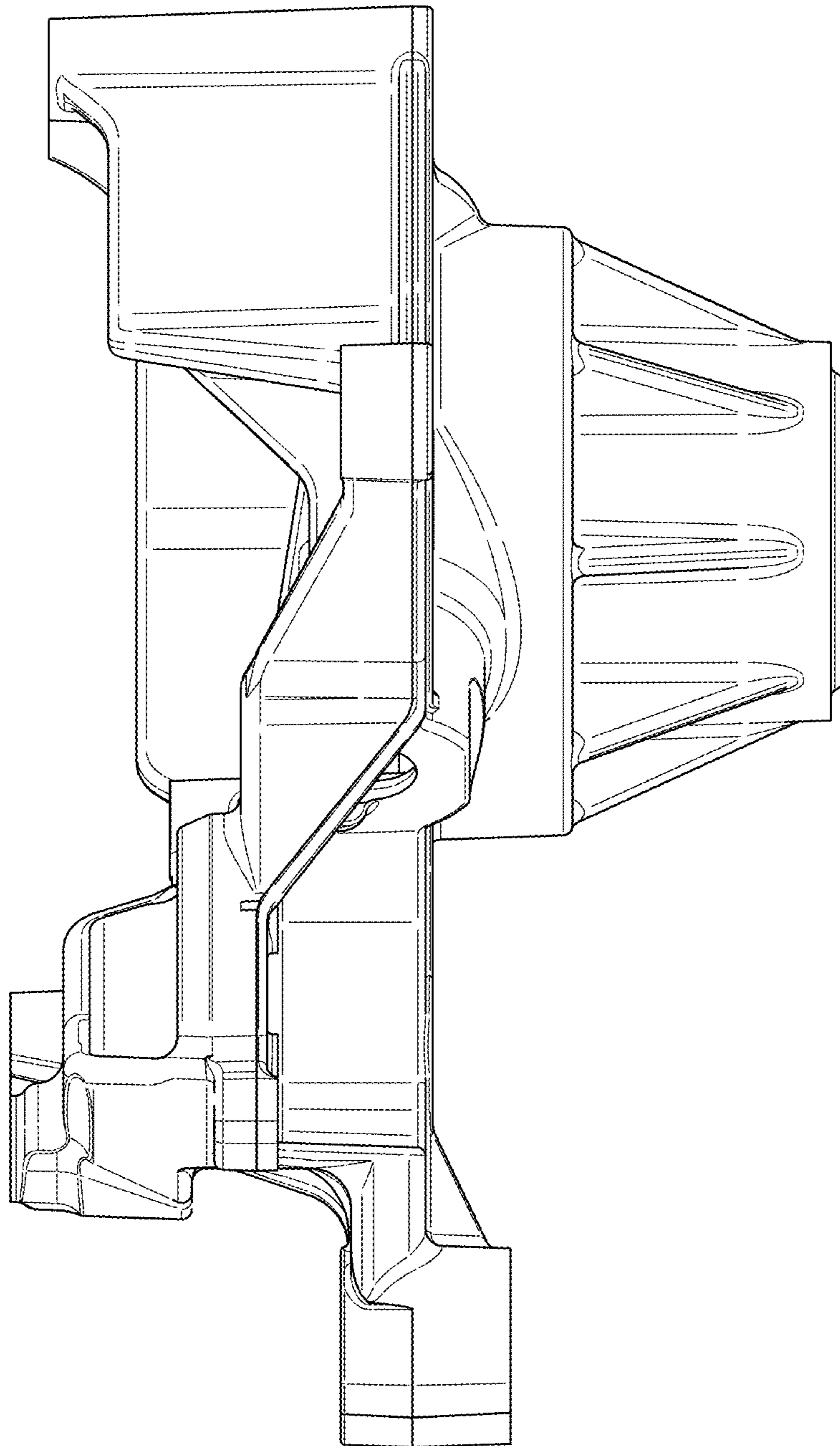


FIG. 13

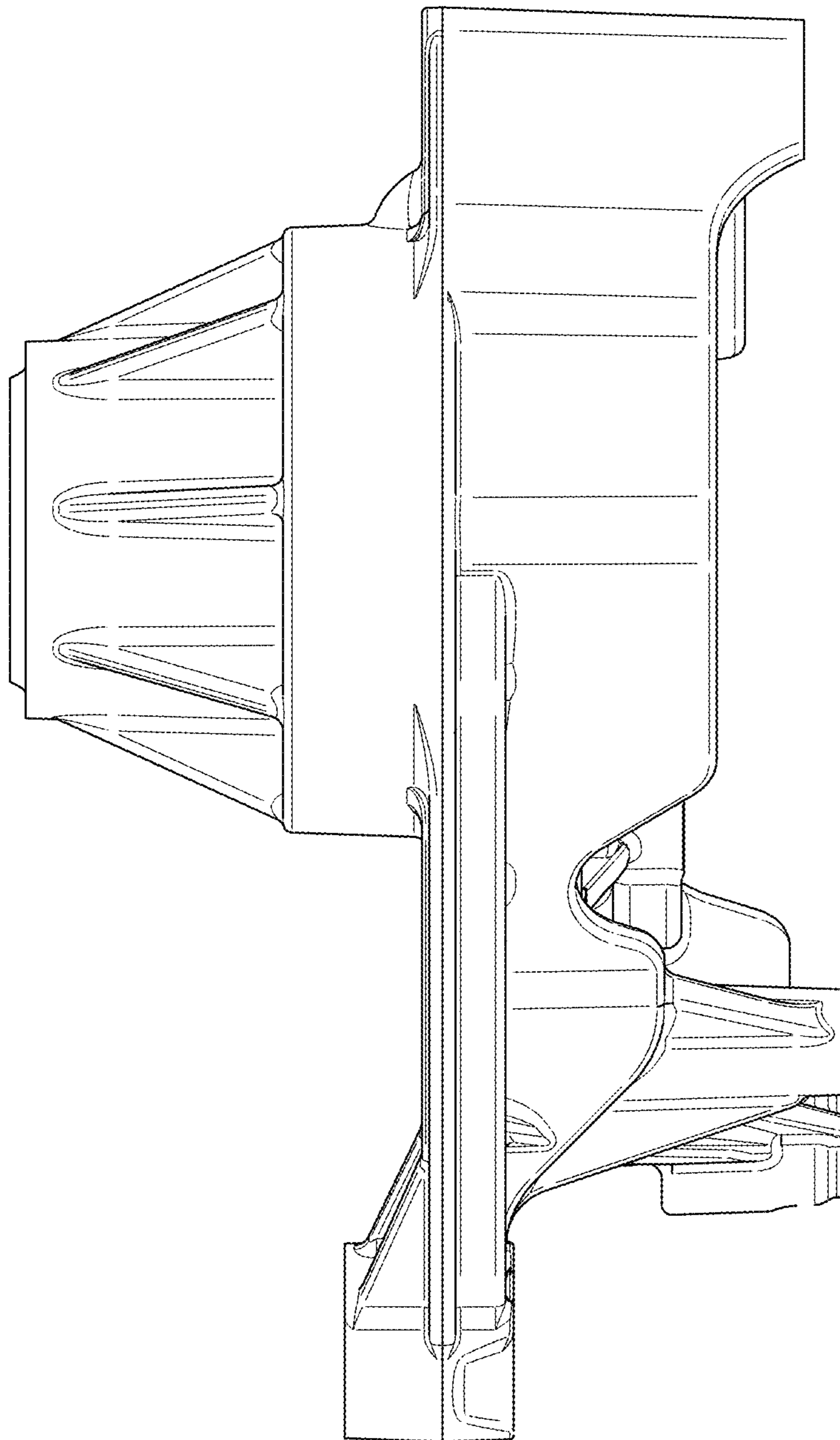


FIG. 14



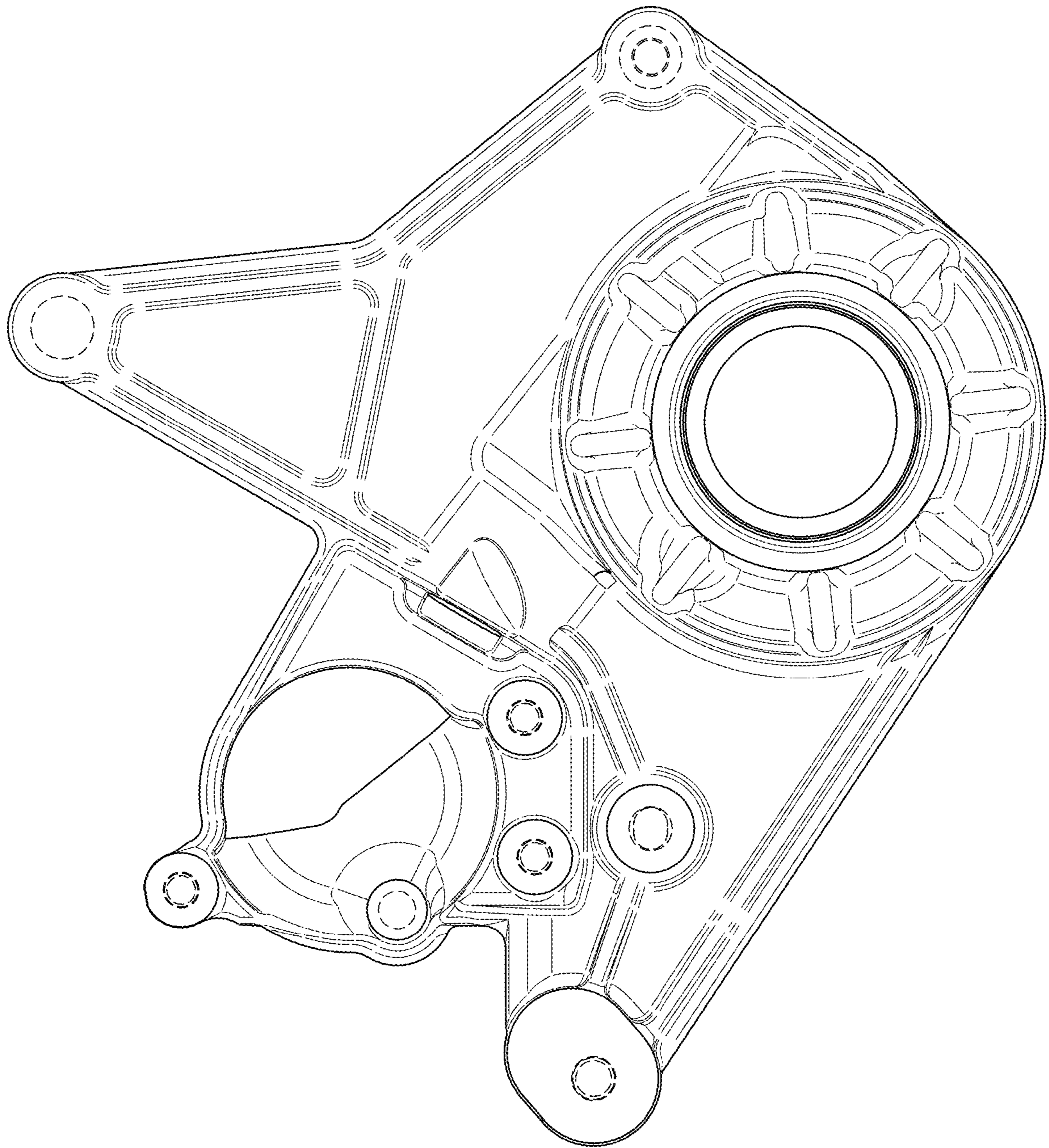


FIG. 15

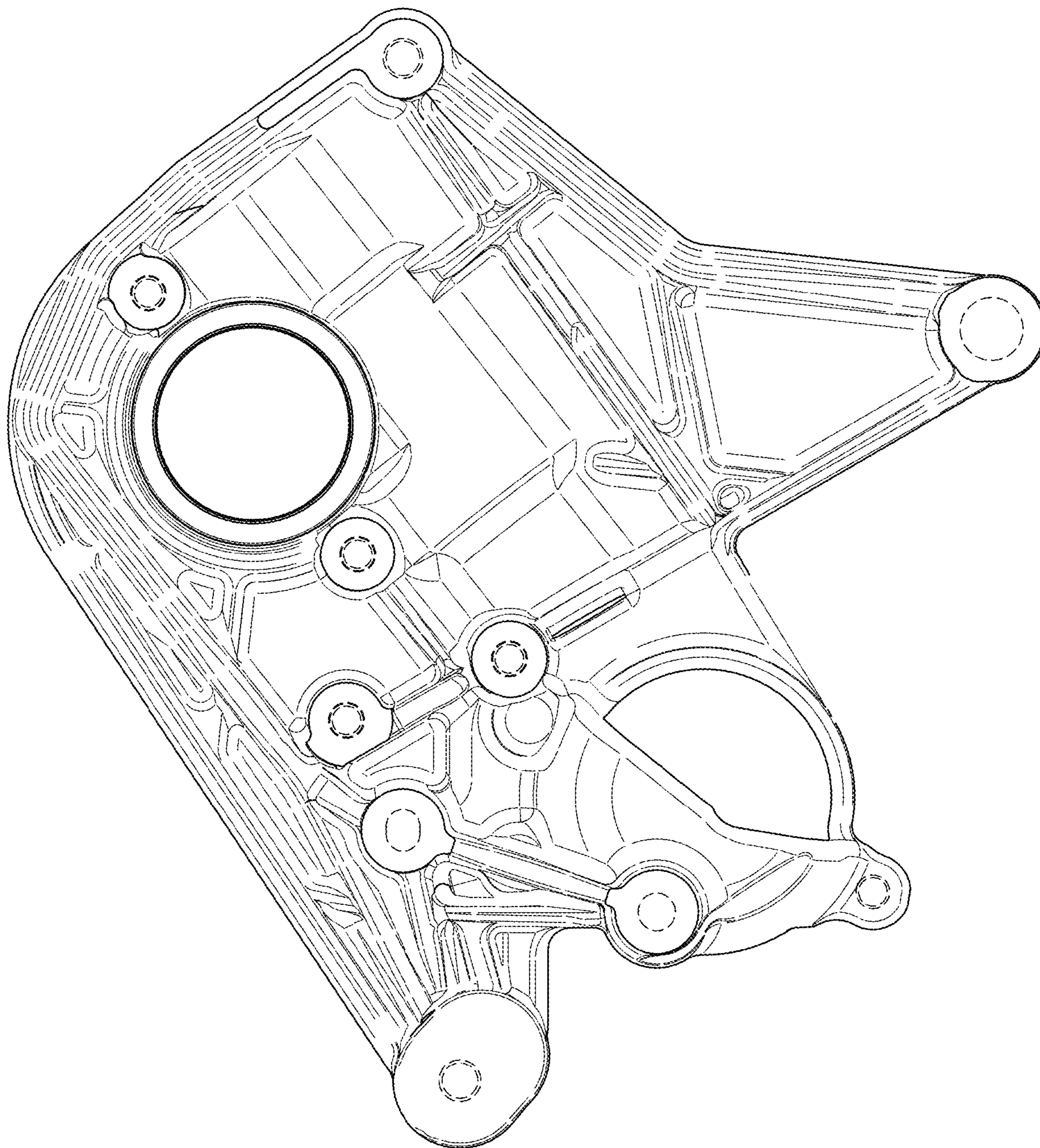


FIG. 16