



US00D900122S

(12) **United States Design Patent**
Siminoff et al.

(10) **Patent No.:** **US D900,122 S**
(45) **Date of Patent:** **** Oct. 27, 2020**

(54) **DEVICE MOUNT**

(71) Applicant: **AMAZON TECHNOLOGIES, INC.**,
Seattle, WA (US)

(72) Inventors: **Mark Siminoff**, Mountain View, CA
(US); **Matthew J. England**, Santa
Monica, CA (US); **Christopher Loew**,
Palo Alto, CA (US)

(73) Assignee: **Amazon Technologies, Inc.**, Seattle,
WA (US)

(**) Term: **15 Years**

(21) Appl. No.: **29/691,713**

(22) Filed: **May 17, 2019**

(51) **LOC (12) Cl.** **14-02**

(52) **U.S. Cl.**
USPC **D14/451**

(58) **Field of Classification Search**
USPC D14/371-382, 125-129, 335-337,
D14/447-452, 492, 239, 457, 439-441,
(Continued)

(56) **References Cited**

U.S. PATENT DOCUMENTS

D624,062 S * 9/2010 Kasuga D14/239
D628,578 S * 12/2010 Chou D14/451
(Continued)

Primary Examiner — Katie Jane Stofko

(74) *Attorney, Agent, or Firm* — Lathrop GPM LLP

(57) **CLAIM**

The ornamental design for a device mount, as shown and described.

DESCRIPTION

FIG. 1 is a front, top, right side perspective view of a device mount according to a first configuration of a first embodiment of the present design;

FIG. 2 is a front elevational view of the device mount of FIG. 1;

FIG. 3 is a rear elevational view of the device mount of FIG. 1;

FIG. 4 is a left-side elevational view of the device mount of FIG. 1;

FIG. 5 is a right-side elevational view of the device mount of FIG. 1;

FIG. 6 is a top plan view of the device mount of FIG. 1;

FIG. 7 is a bottom plan view of the device mount of FIG. 1;

FIG. 8 is a rear, bottom, left side perspective view of the device mount of FIG. 1;

FIG. 9 is a front, bottom, right side perspective view of a device mount according to a second configuration of a first embodiment of the present design;

FIG. 10 is a front elevational view of the device mount of FIG. 9;

FIG. 11 is a rear elevational view of the device mount of FIG. 9;

FIG. 12 is a left-side elevational view of the device mount of FIG. 9;

FIG. 13 is a right-side elevational view of the device mount of FIG. 9;

FIG. 14 is a top plan view of the device mount of FIG. 9;

FIG. 15 is a bottom plan view of the device mount of FIG. 9;

FIG. 16 is a rear, top, right side perspective view of the device mount of FIG. 9;

FIG. 17 is a front, top, right side perspective view of a device mount according to a first configuration of a second embodiment of the present design;

FIG. 18 is a front elevational view of the device mount of FIG. 17;

FIG. 19 is a rear elevational view of the device mount of FIG. 17;

FIG. 20 is a left-side elevational view of the device mount of FIG. 17;

FIG. 21 is a right-side elevational view of the device mount of FIG. 17;

FIG. 22 is a top plan view of the device mount of FIG. 17;

FIG. 23 is a bottom plan view of the device mount of FIG. 17;

FIG. 24 is a rear, bottom, left side perspective view of the device mount of FIG. 17;

(Continued)

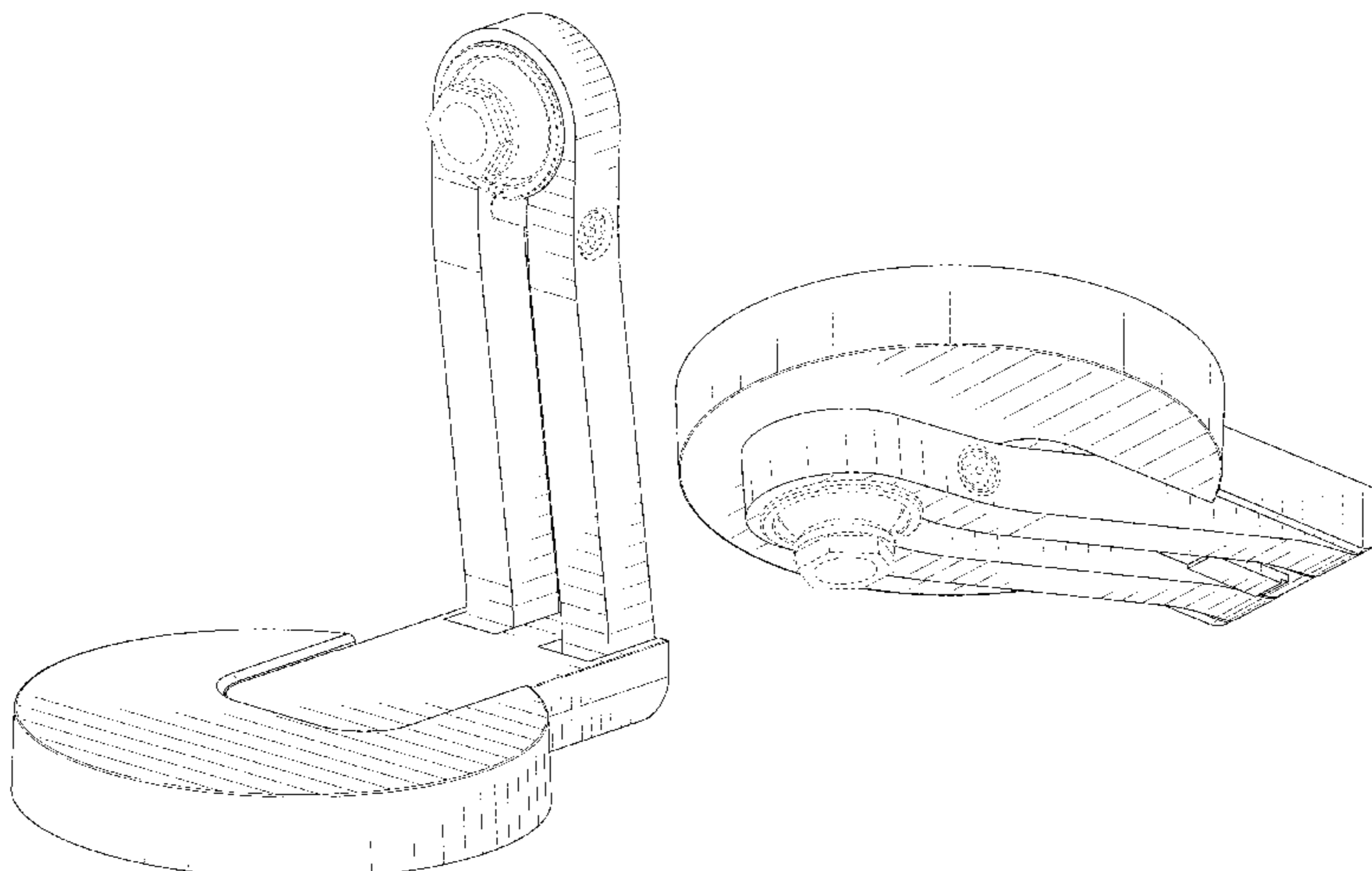


FIG. 25 is a front, top, right side perspective view of a device mount according to a second configuration of a second embodiment of the present design;

FIG. 26 is a front elevational view of the device mount of FIG. 25;

FIG. 27 is a rear elevational view of the device mount of FIG. 25;

FIG. 28 is a left-side elevational view of the device mount of FIG. 25;

FIG. 29 is a right-side elevational view of the device mount of FIG. 25;

FIG. 30 is a top plan view of the device mount of FIG. 25;

FIG. 31 is a bottom plan view of the device mount of FIG. 25; and,

FIG. 32 is a rear, top, right side perspective view of the device mount of FIG. 25.

Broken lines in the figures form no part of the claimed design.

1 Claim, 22 Drawing Sheets

(58) **Field of Classification Search**

USPC D14/432, 251-253; D8/349, 354, 363, D8/373, 376, 380; 348/180, 184, 325, 348/739, 825; D12/407, 415; D3/218; 341/12

CPC G06F 3/0412; G06F 3/016; G06F 3/0488; G06F 3/011; G06F 3/038; G06F 3/03543; G06F 3/0338; G06F 3/0202; G06F

3/0219; G06F 3/0213; G06F 1/1616; G06F 3/023; G06F 3/04883; G02F 1/13338; G02F 1/1313; G02F 1/1333; G02F 1/135; G02F 1/132; G02F 1/133308; G02F 1/134309; G02F 1/13718; G09G 3/3648; G06K 15/1252; G03F 7/70291; F16M 13/02; F16M 13/00; F16M 11/10; F16M 11/04; F16M 2200/08; F16M 11/2021; F16B 47/00; F16B 47/006; G02B 27/0172; G02B 5/30; G02B 2027/0118; G02B 27/0101; H02G 3/126; A47B 21/0314; A47B 88/044; A47B 2021/0335; A47G 1/17; A47K 2201/00; B41J 2/465

See application file for complete search history.

(56)

References Cited

U.S. PATENT DOCUMENTS

D638,022	S	*	5/2011	Kasuga	D14/239
D681,647	S	*	5/2013	Choi	D14/451
D772,601	S	*	11/2016	Christie	D6/526
D788,080	S	*	5/2017	Turksu	D14/224
D805,522	S	*	12/2017	Won	D14/451
D822,032	S	*	7/2018	Kwon	D14/451
D848,991	S	*	5/2019	Hwang	D14/239
D865,842	S	*	11/2019	Siminoff	D16/203
D879,075	S	*	3/2020	Xu	D14/224
2007/0195495	A1	*	8/2007	Kim	F16M 11/24 361/679.07
2019/0362546	A1	*	11/2019	Wayenberg	G06T 17/20

* cited by examiner

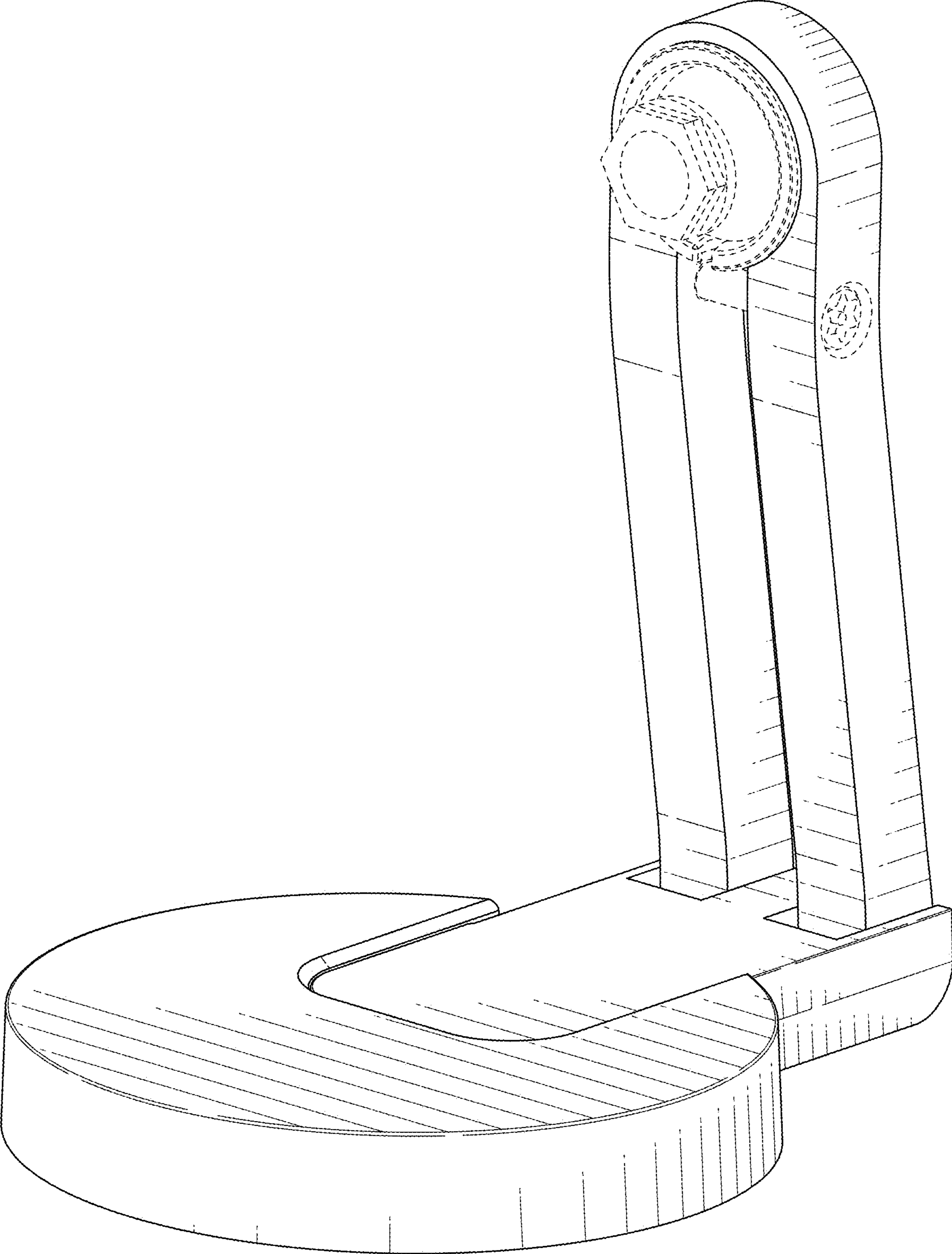


FIG. 1

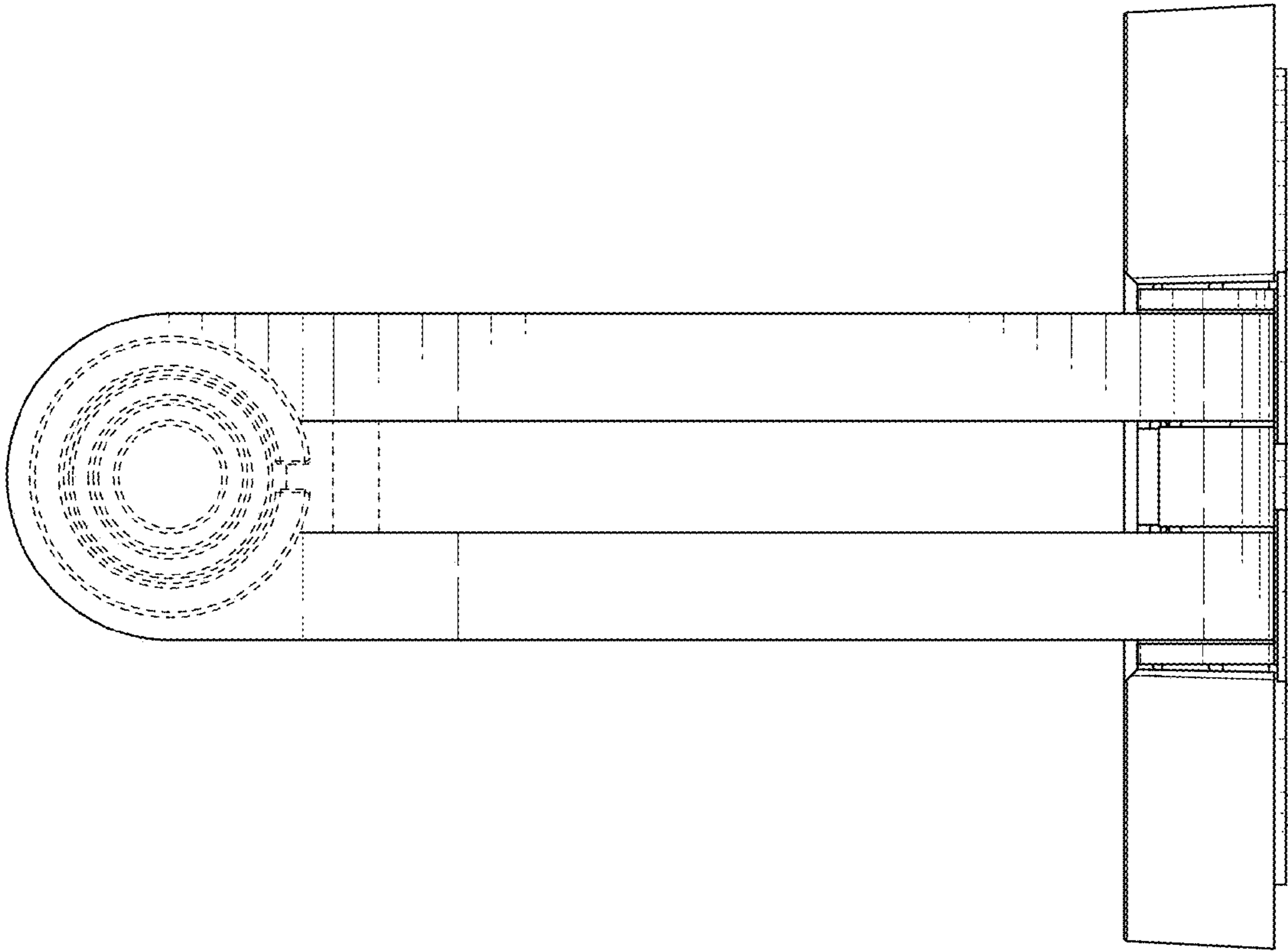


FIG. 3

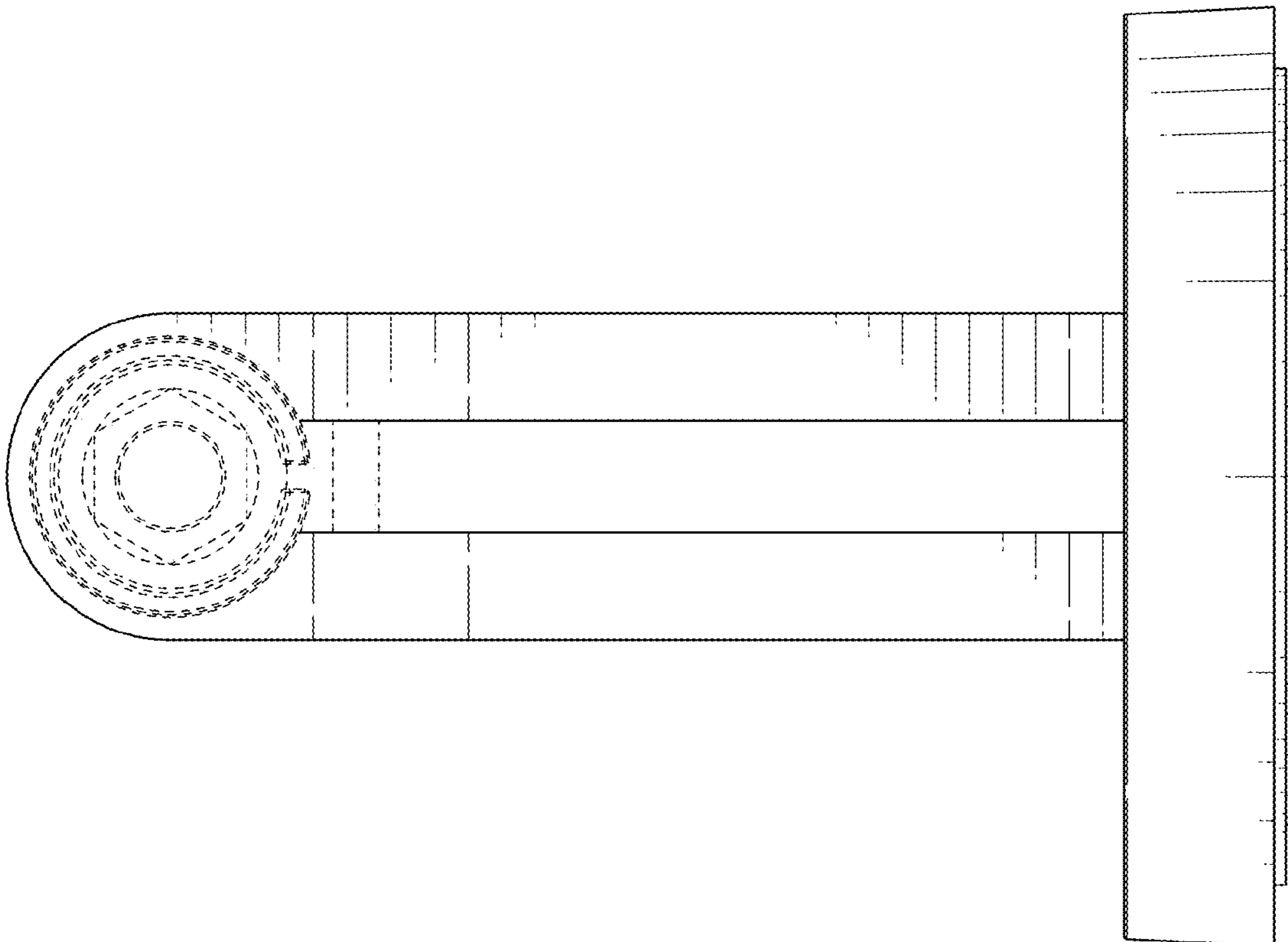


FIG. 2

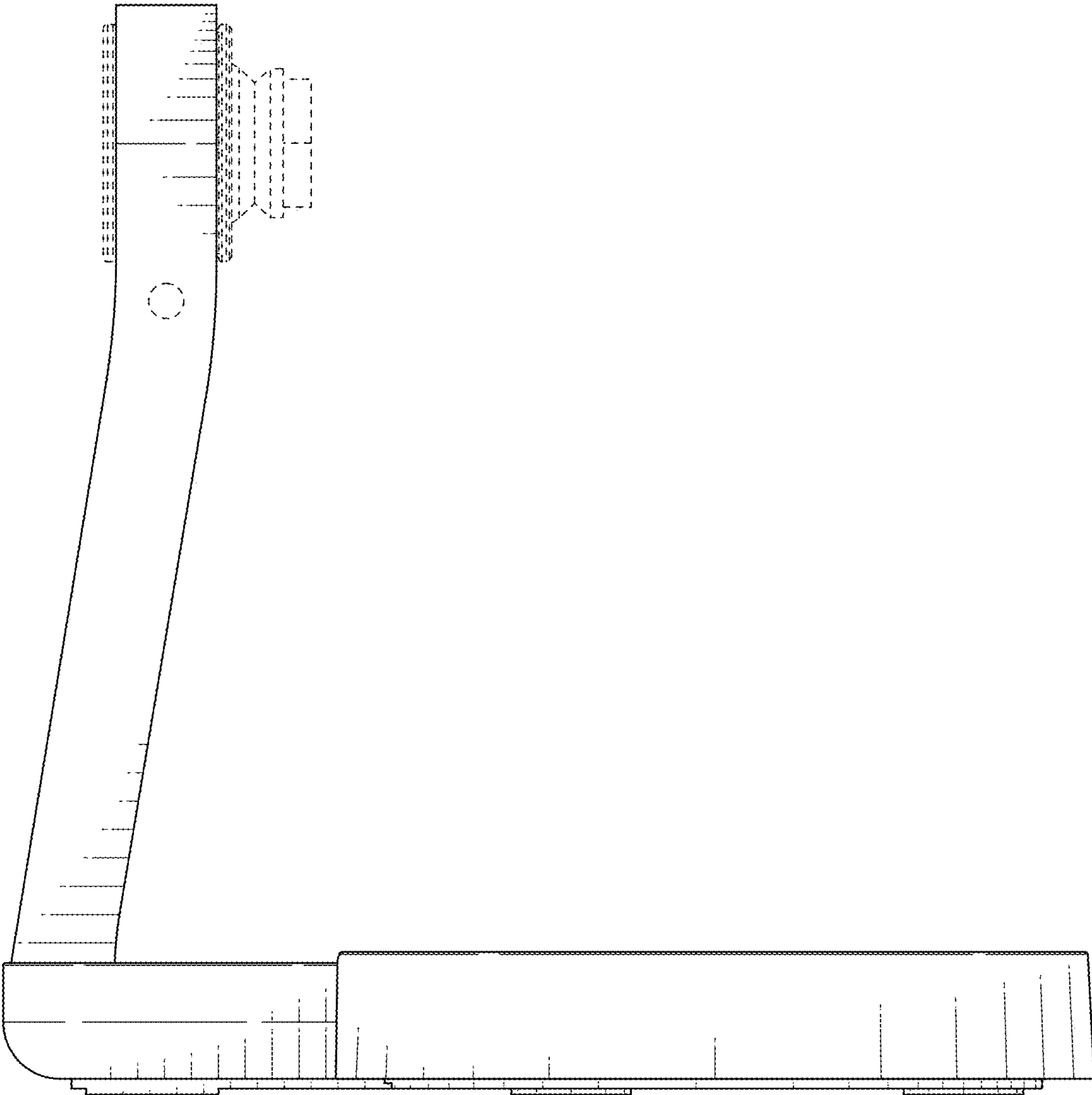


FIG. 4

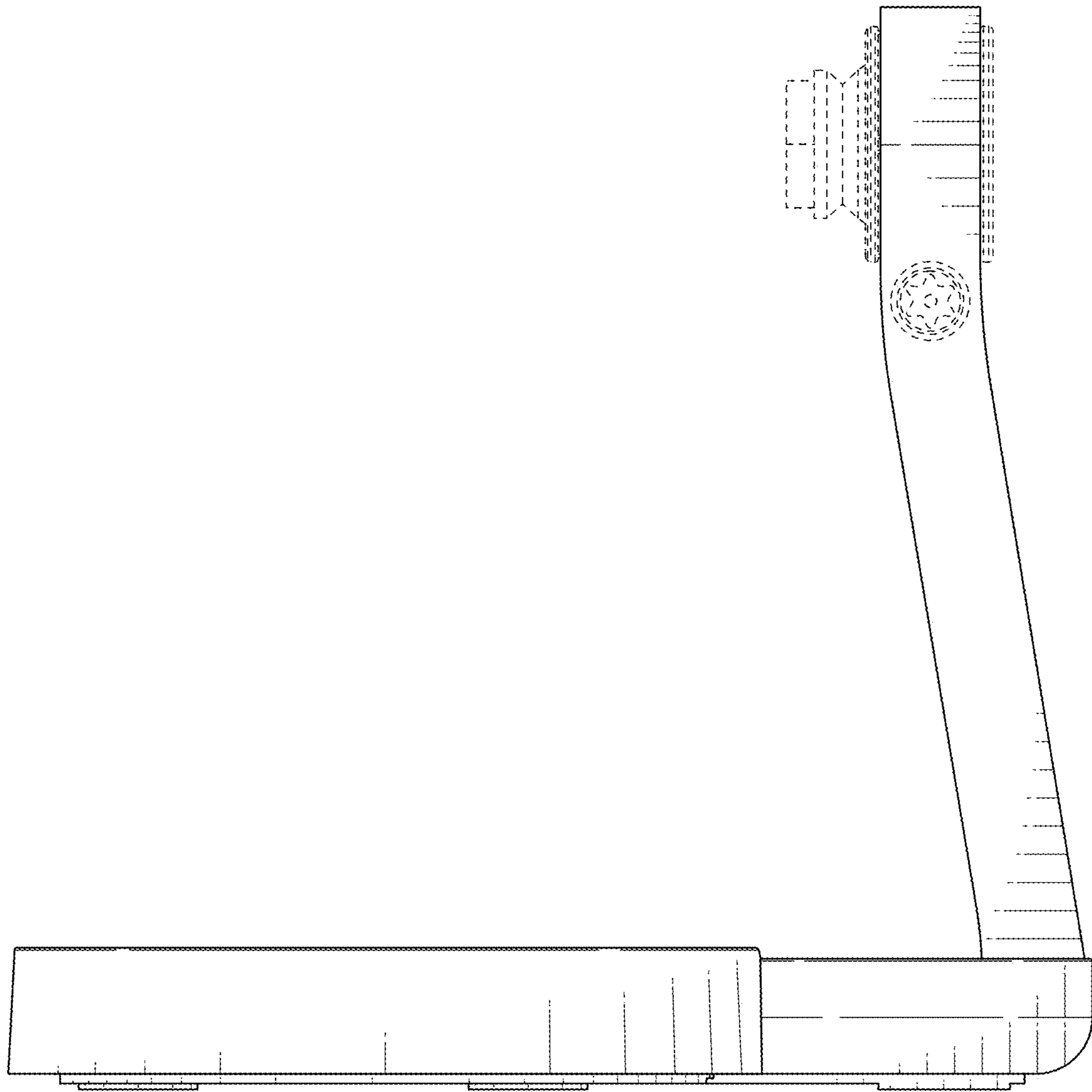


FIG. 5

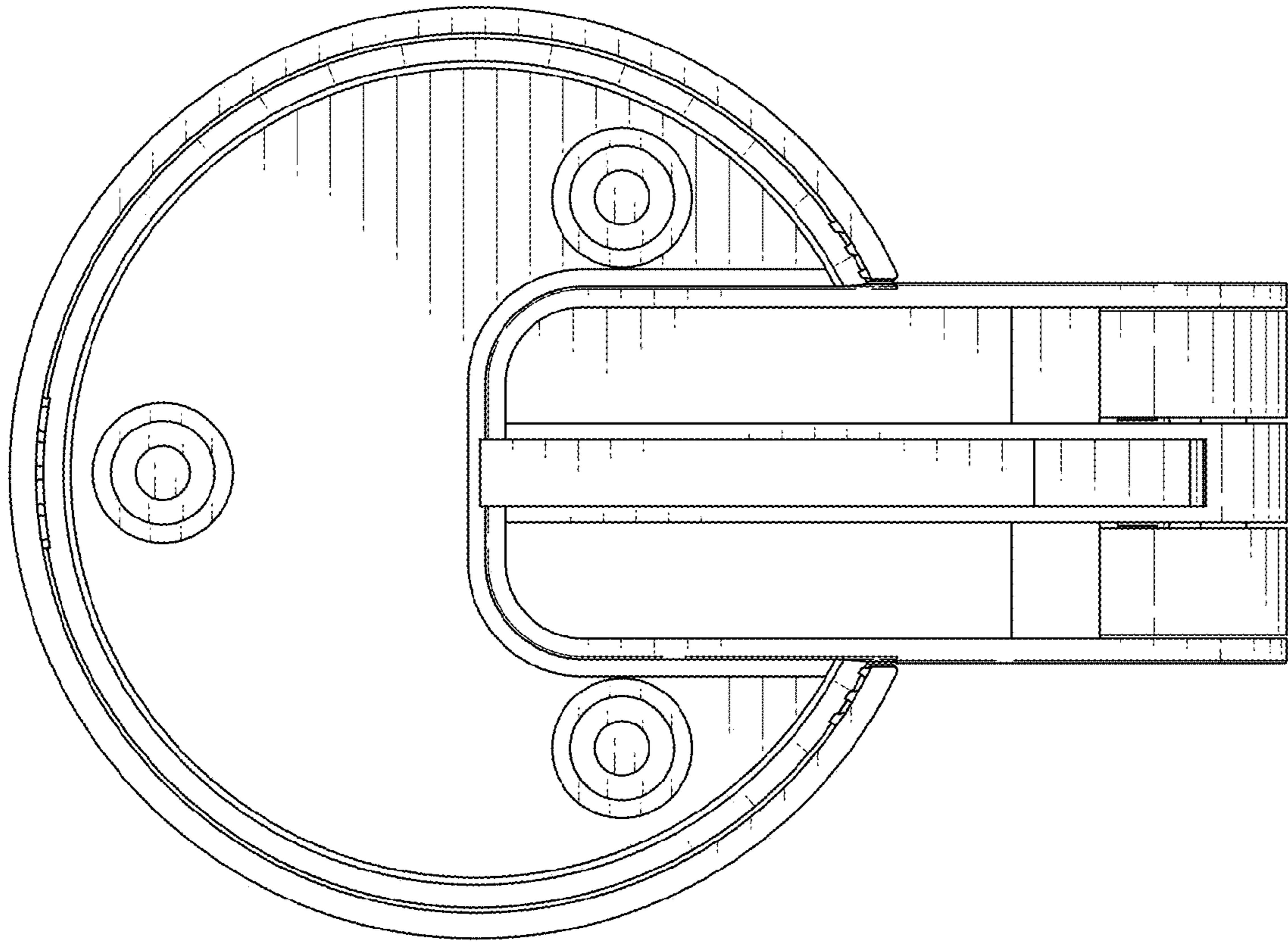


FIG. 7

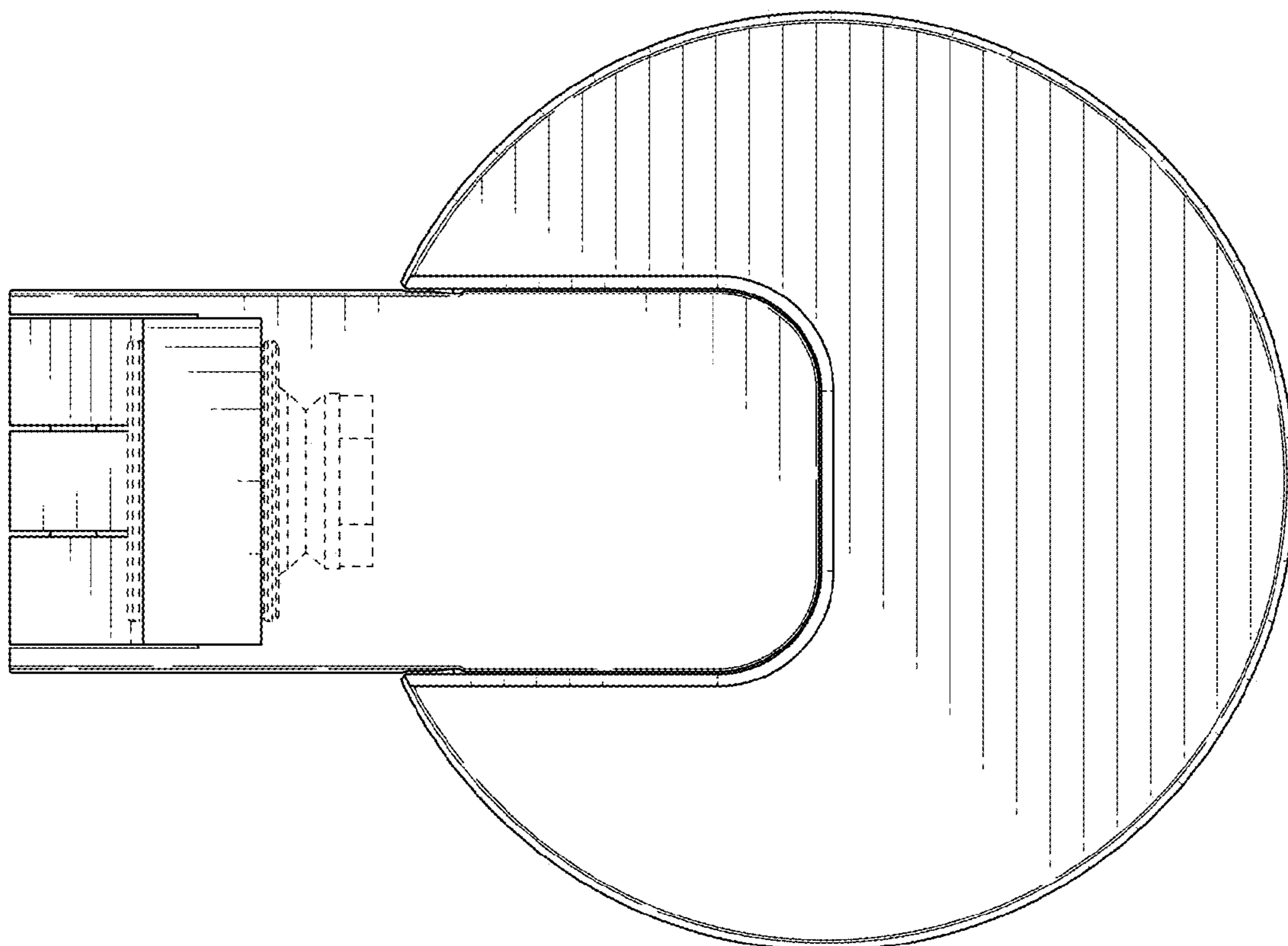


FIG. 6

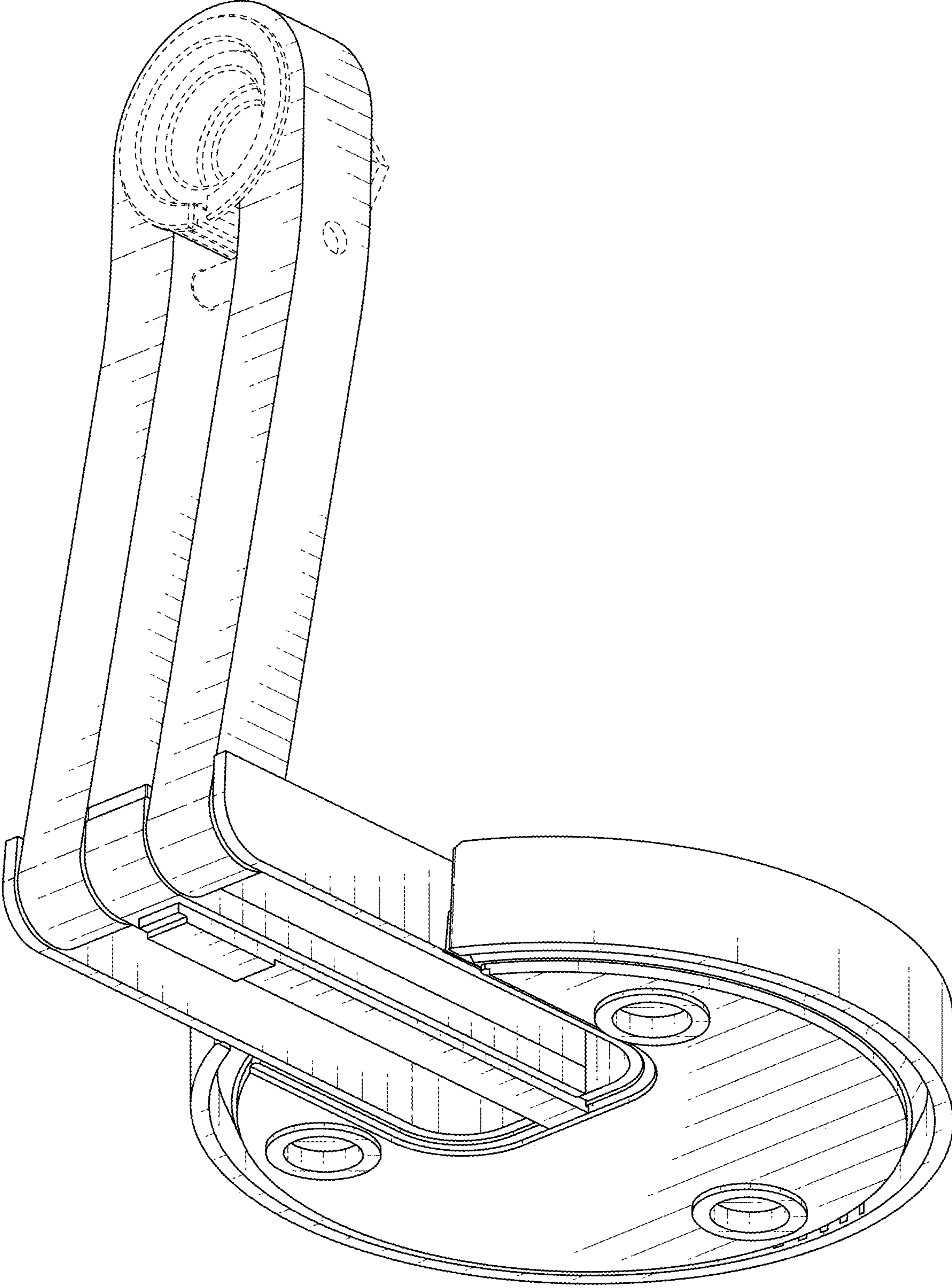


FIG. 8

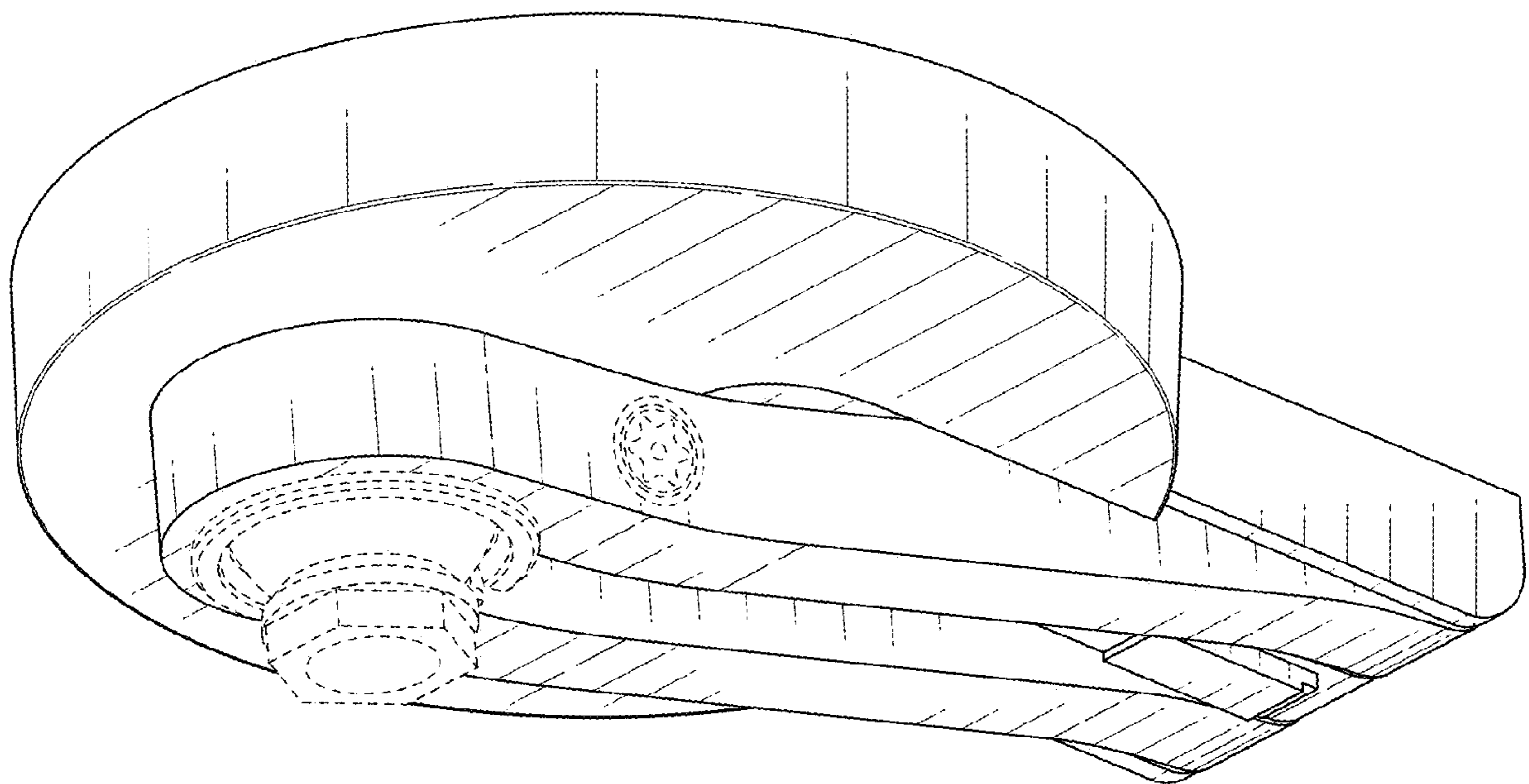


FIG. 9

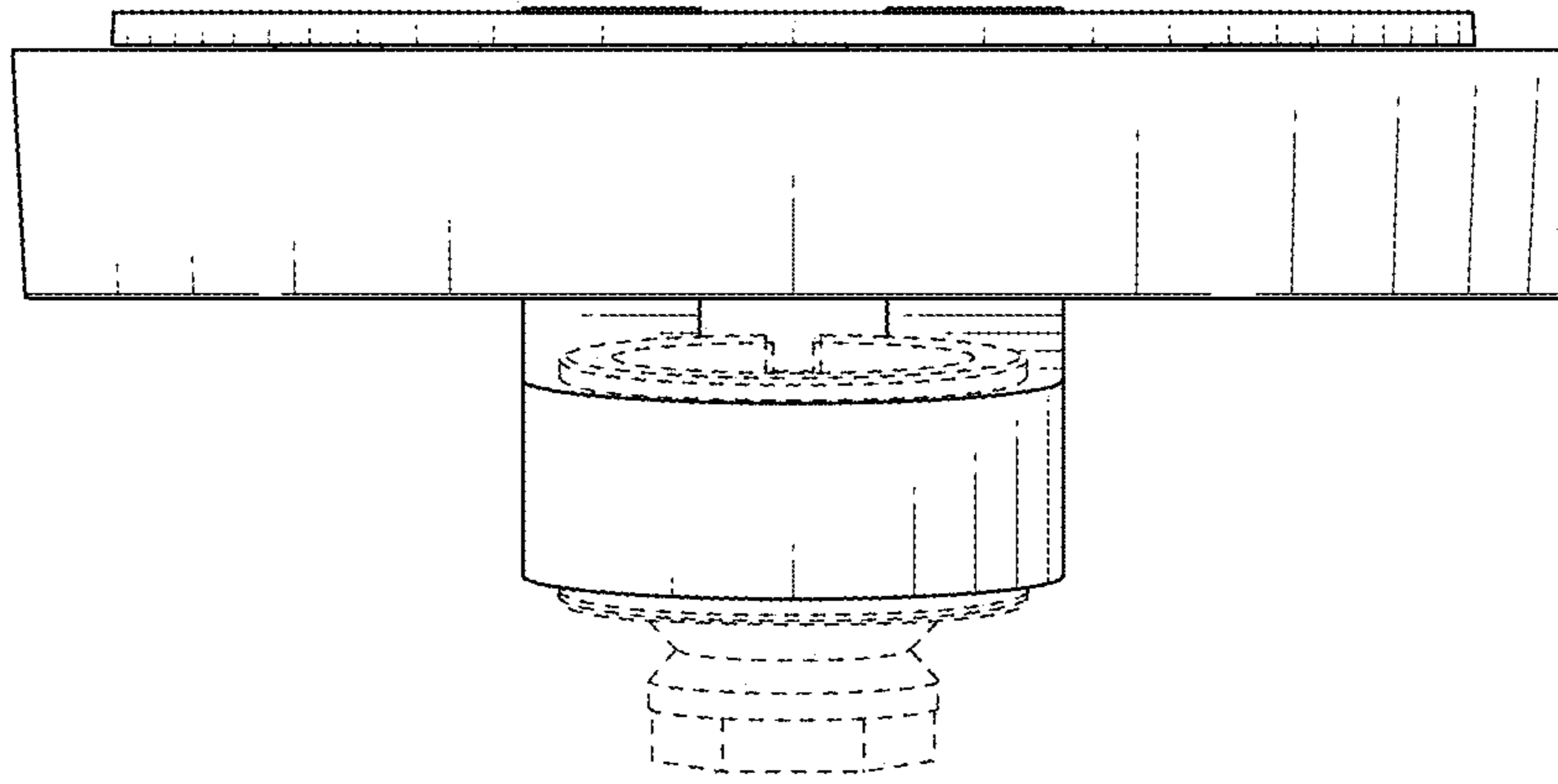


FIG. 10

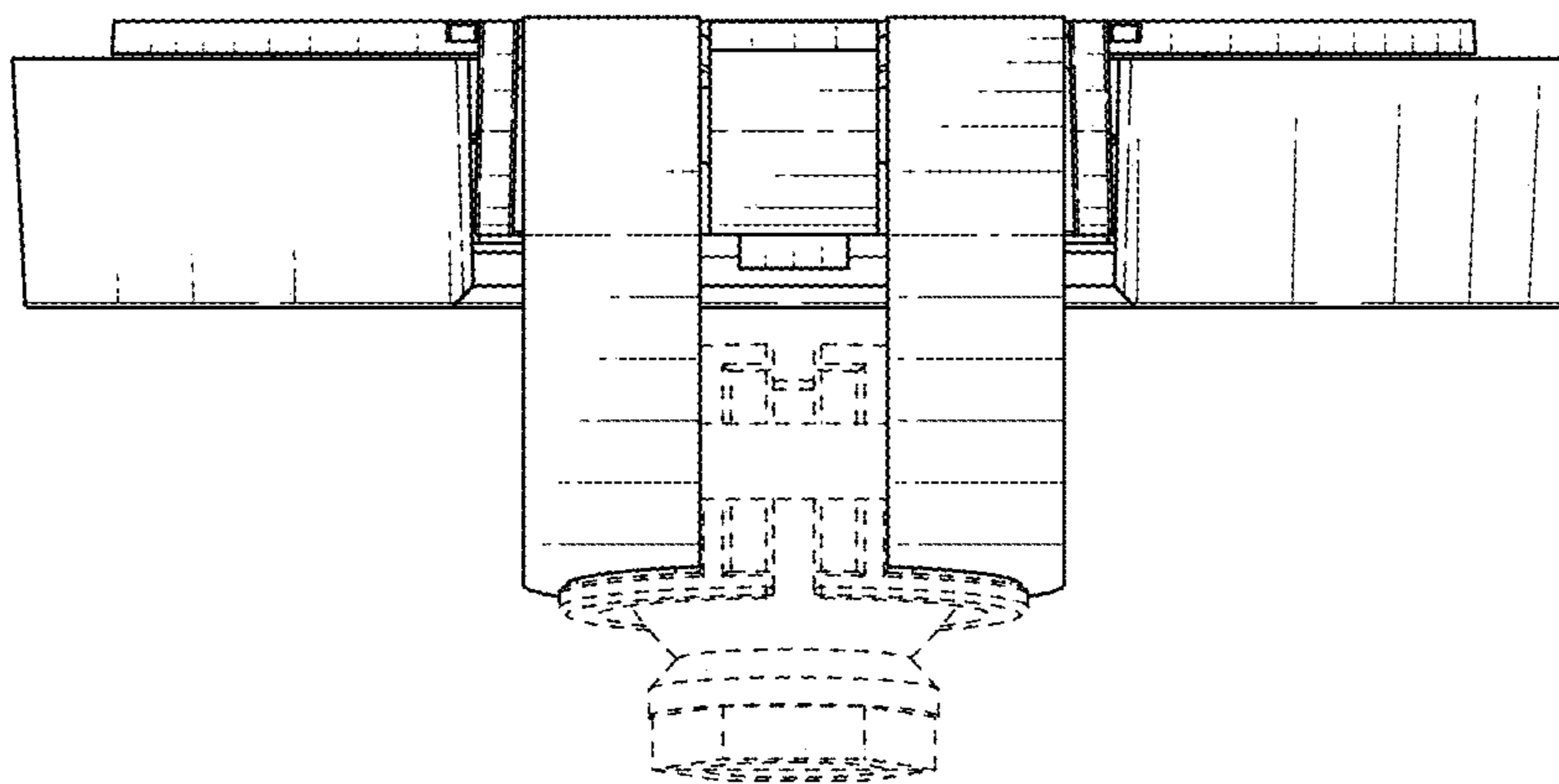


FIG. 11

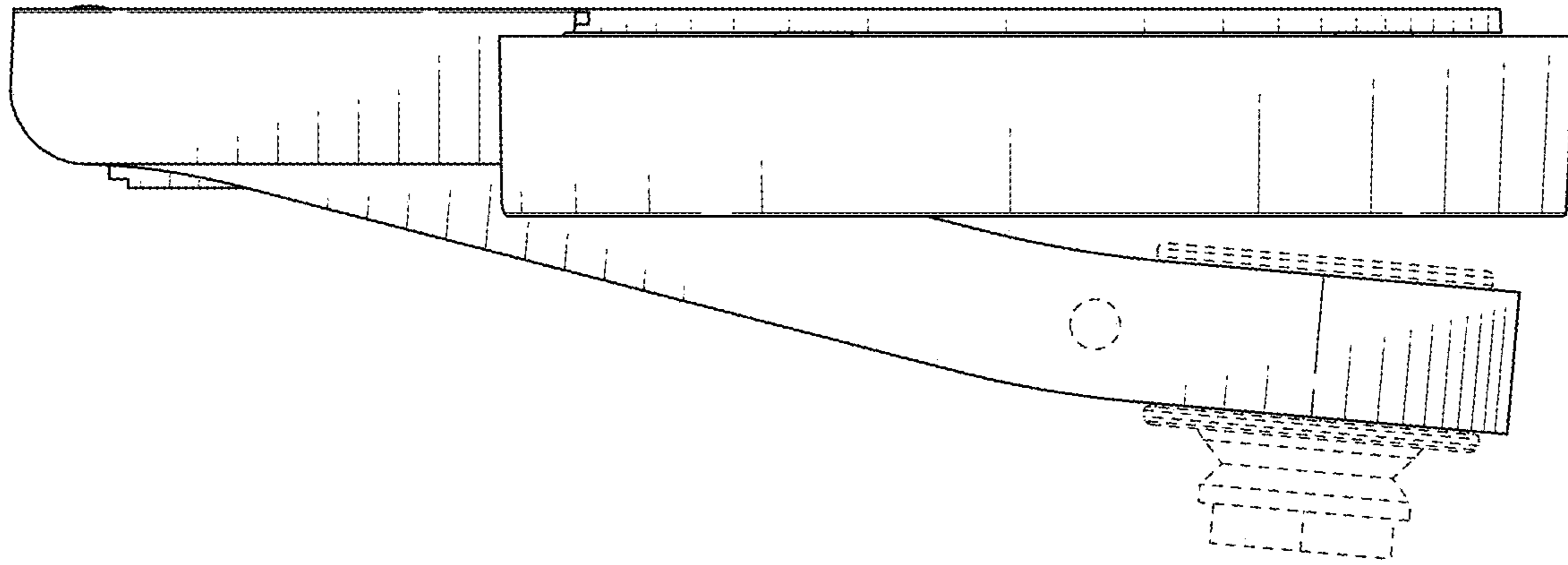


FIG. 12

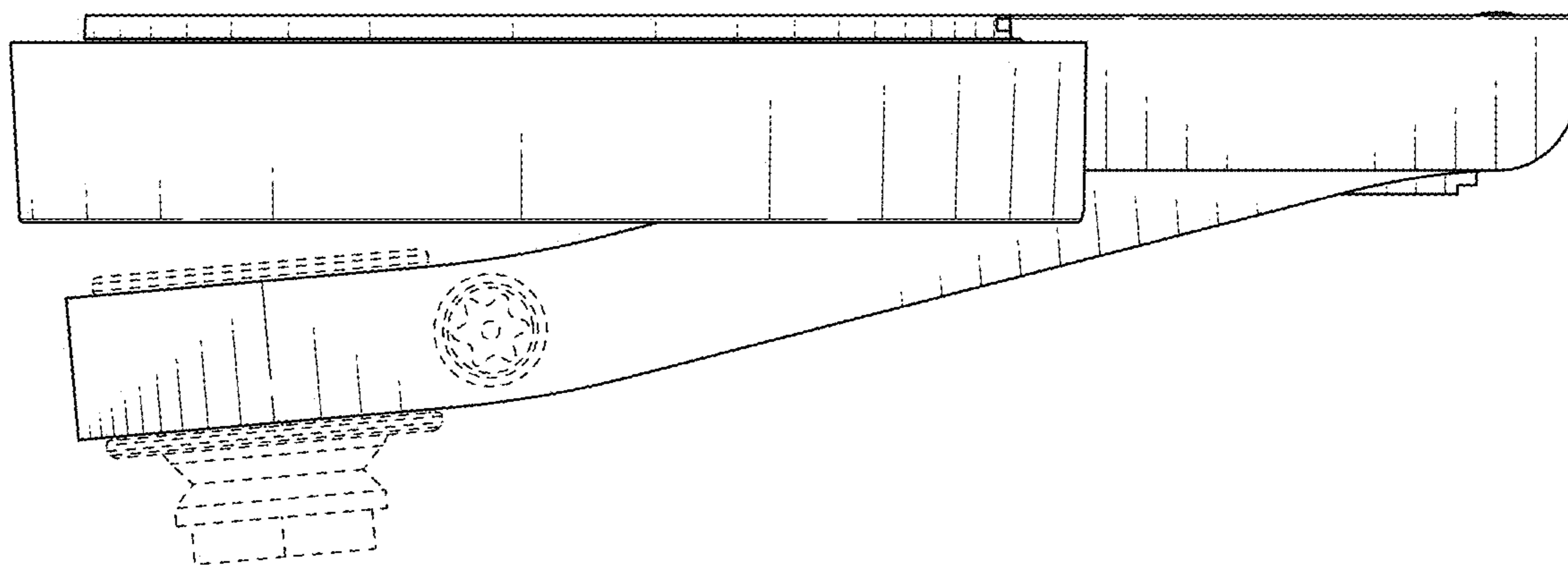


FIG. 13

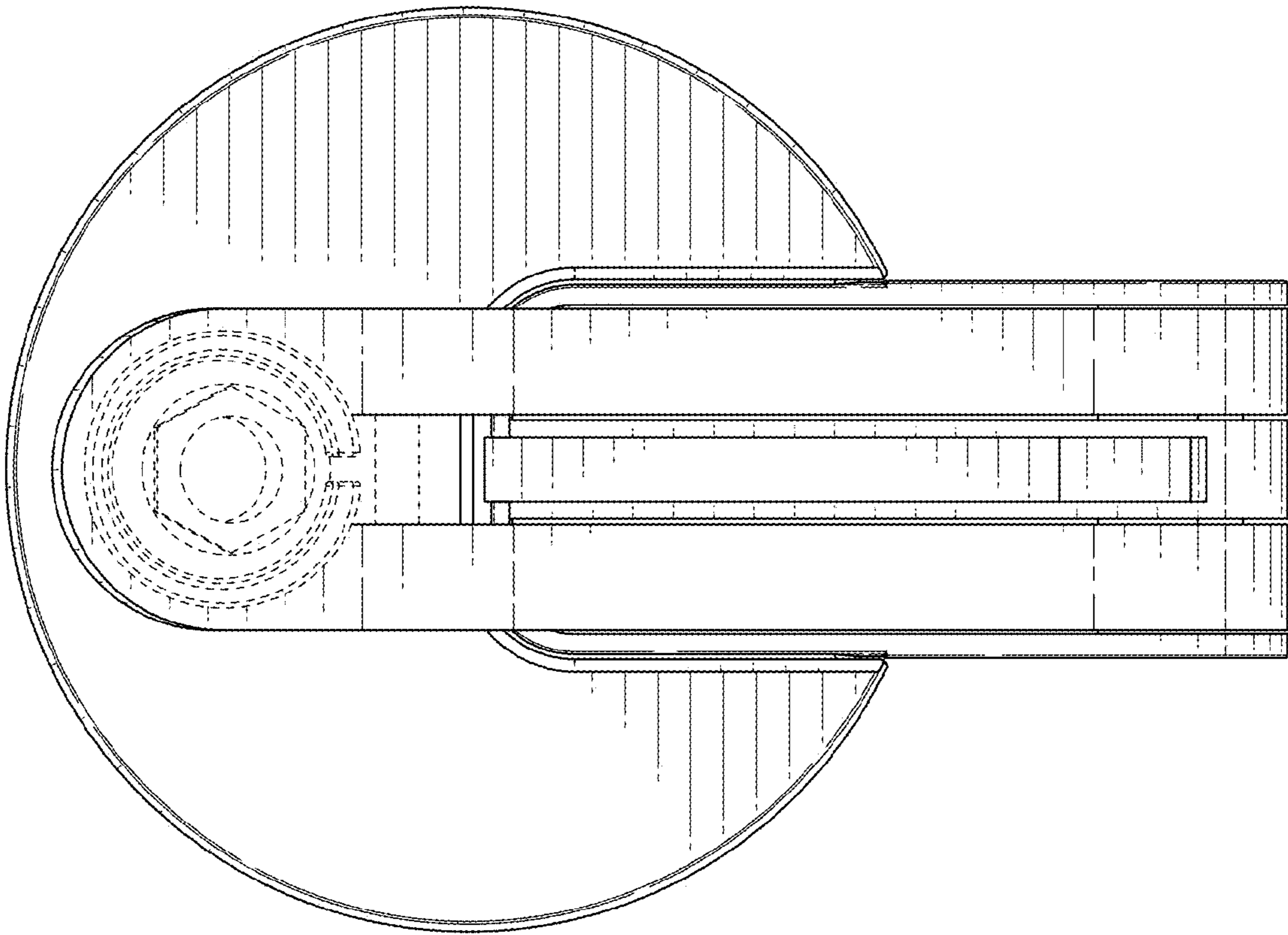


FIG. 15

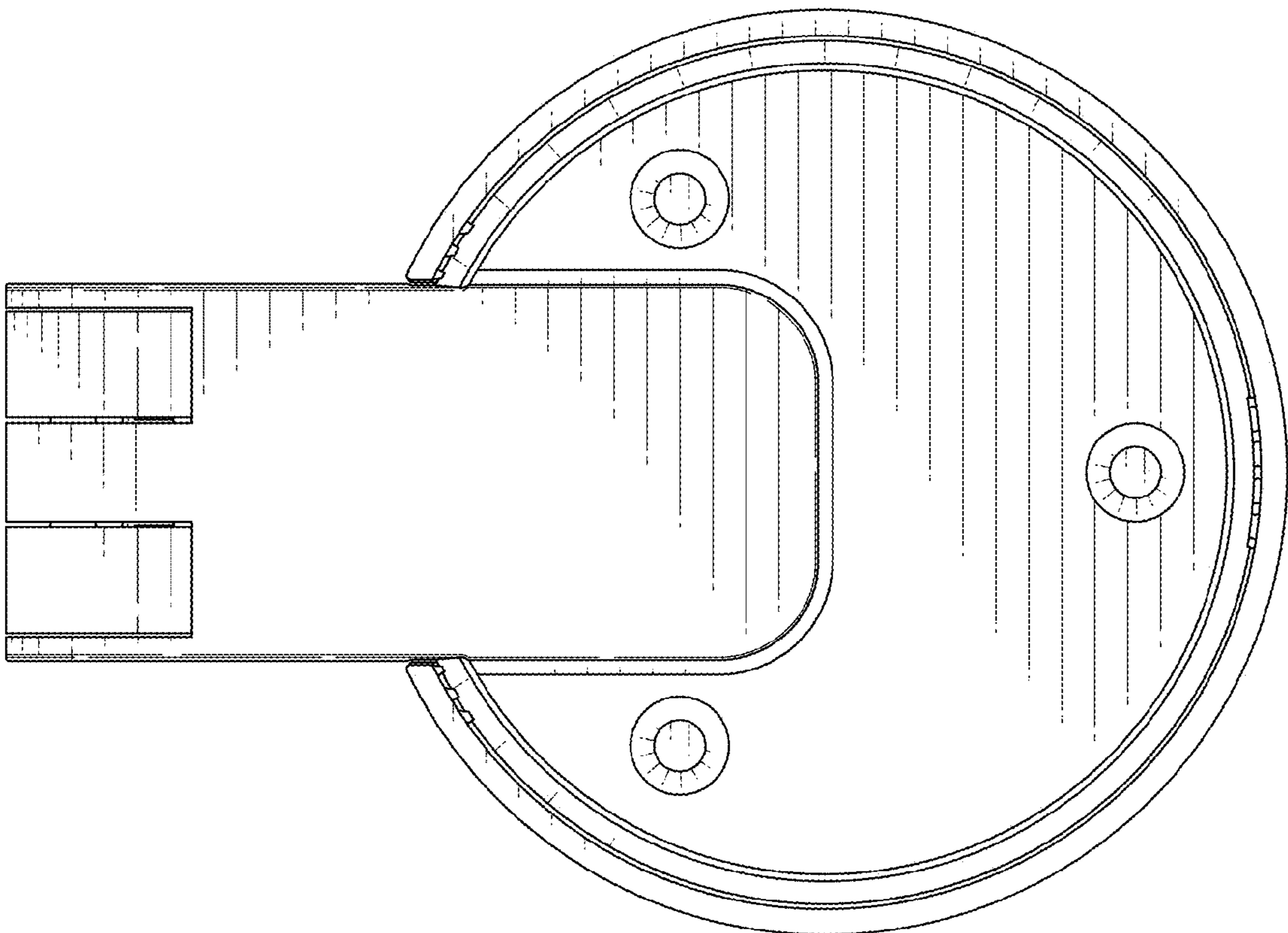


FIG. 14

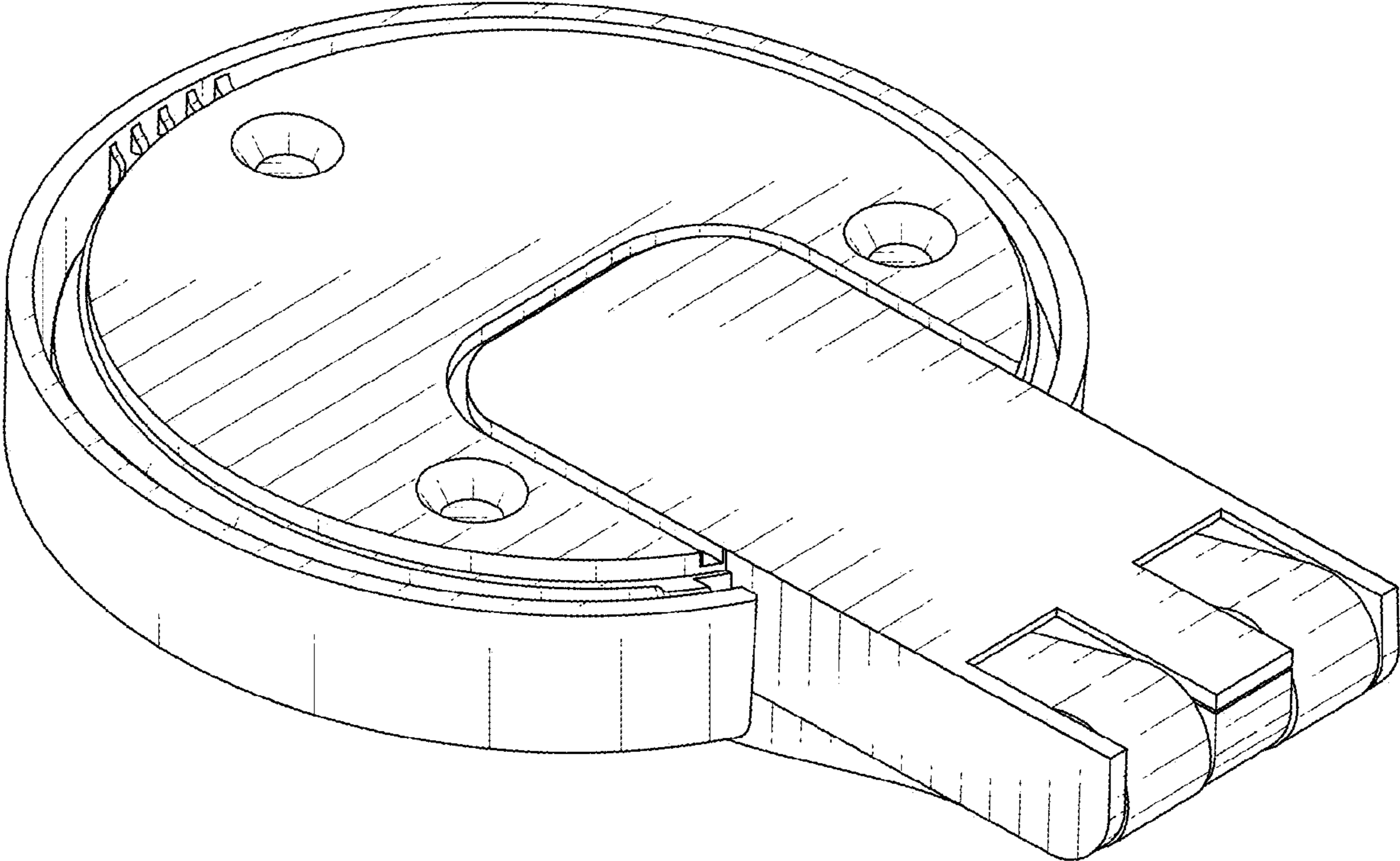


FIG. 16

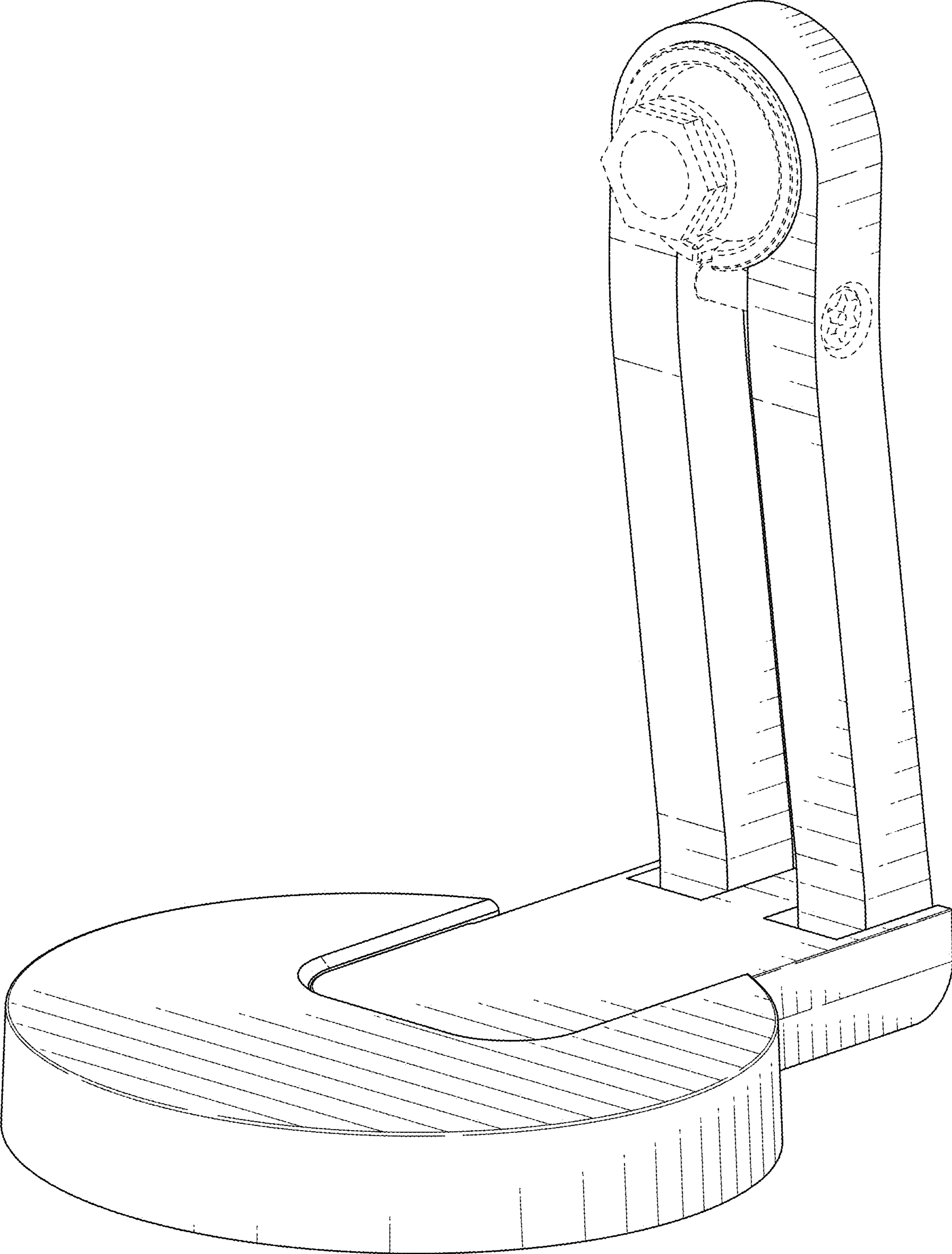


FIG. 17

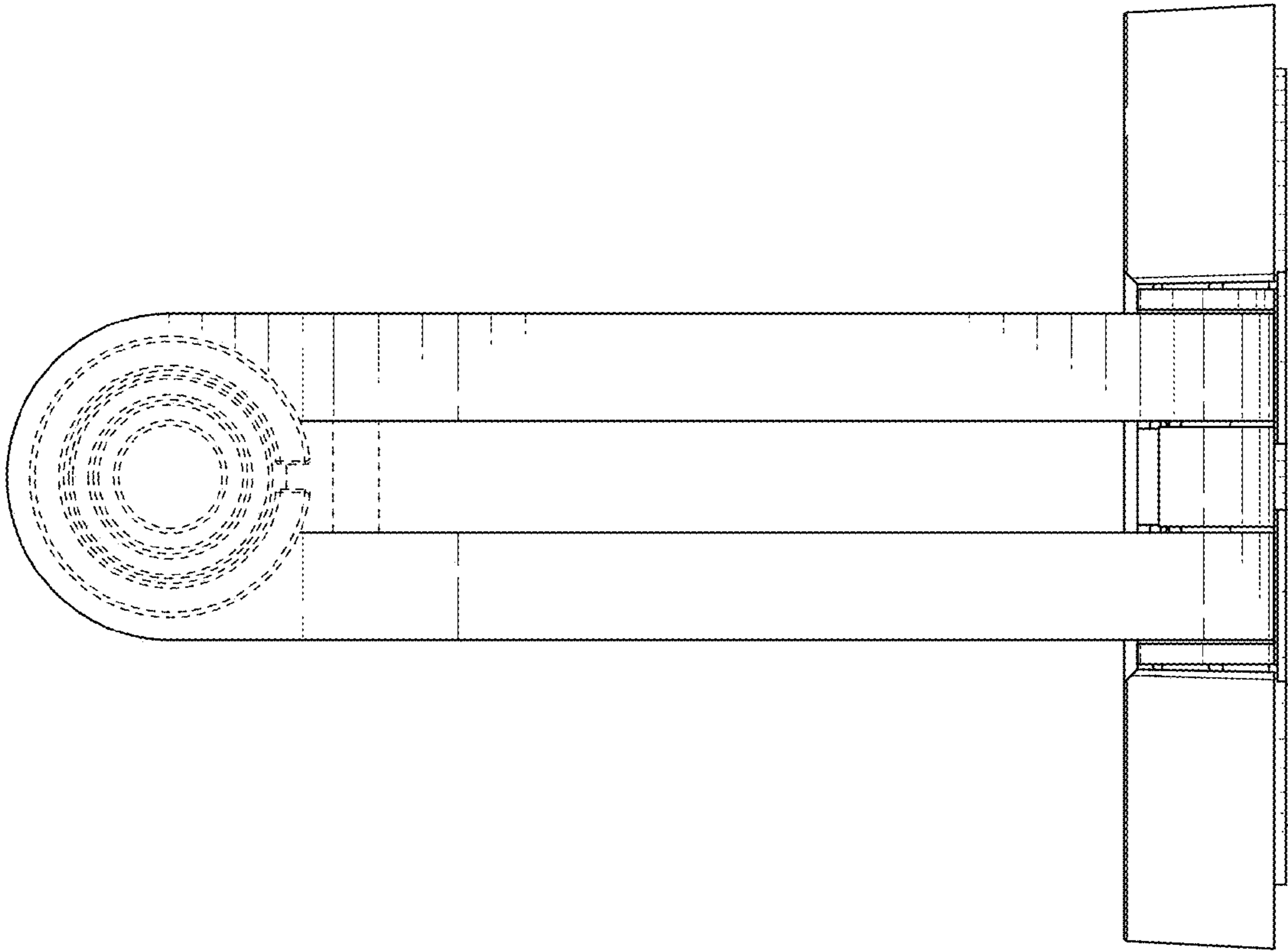


FIG. 19

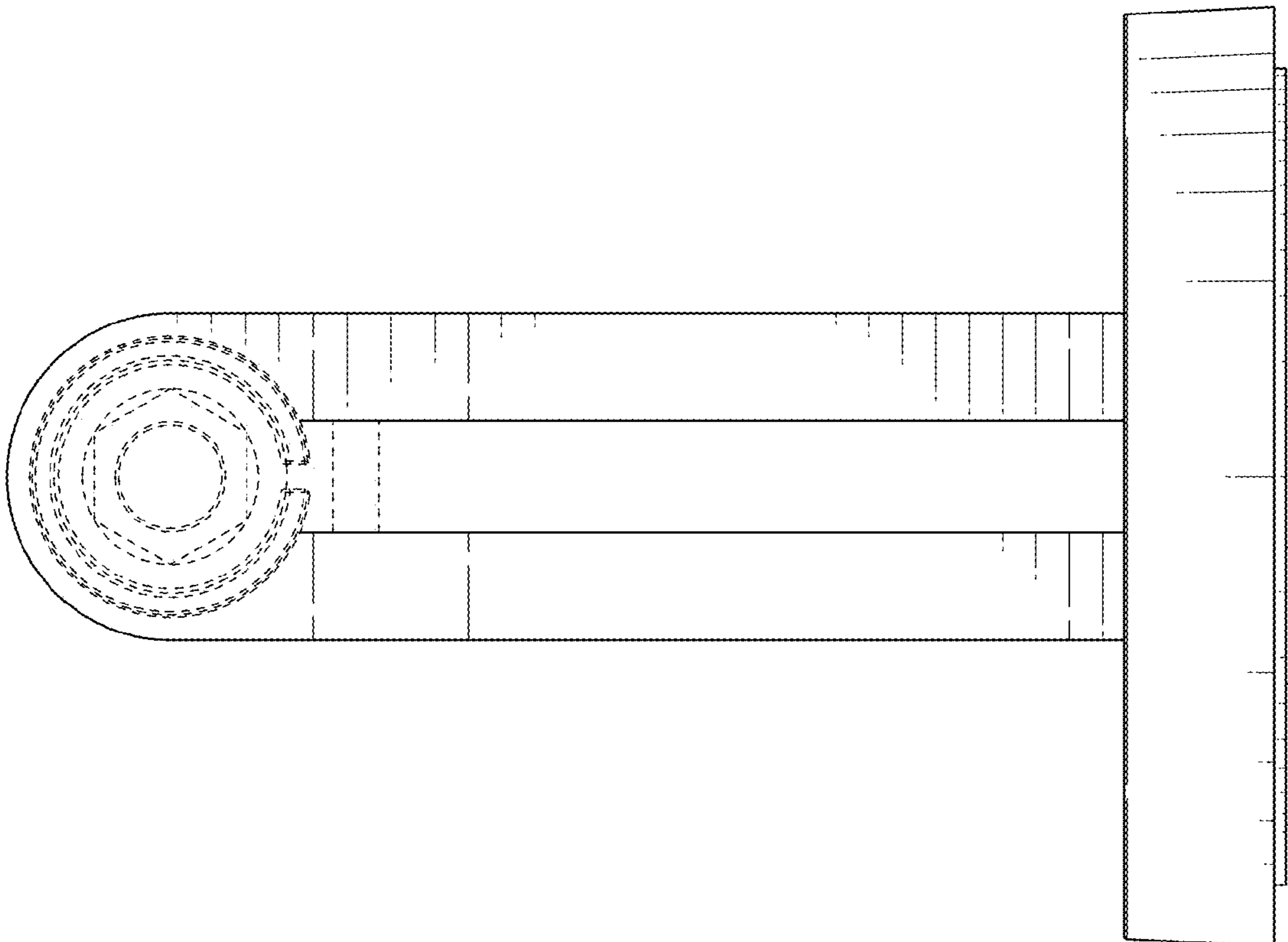


FIG. 18

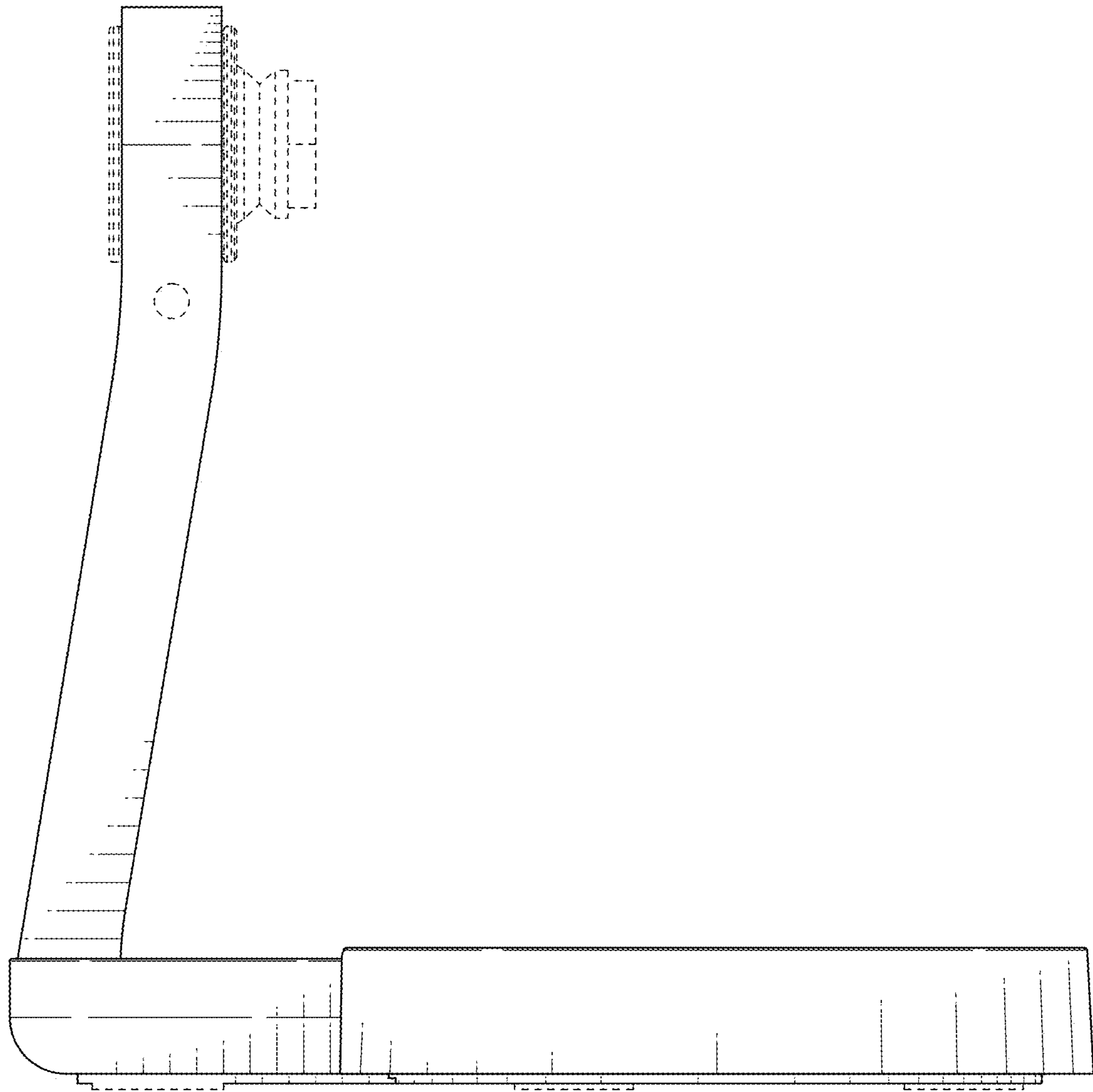


FIG. 20

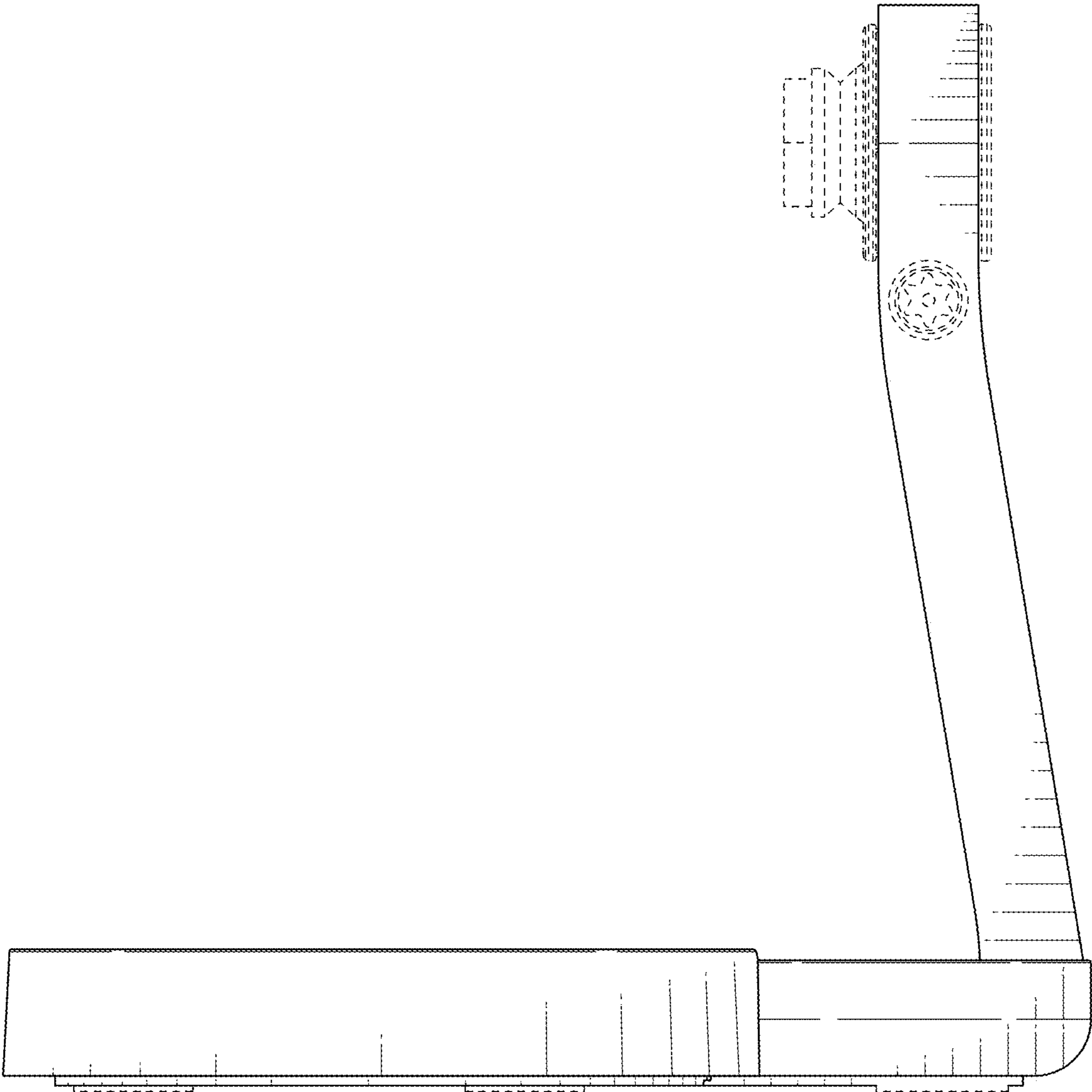


FIG. 21

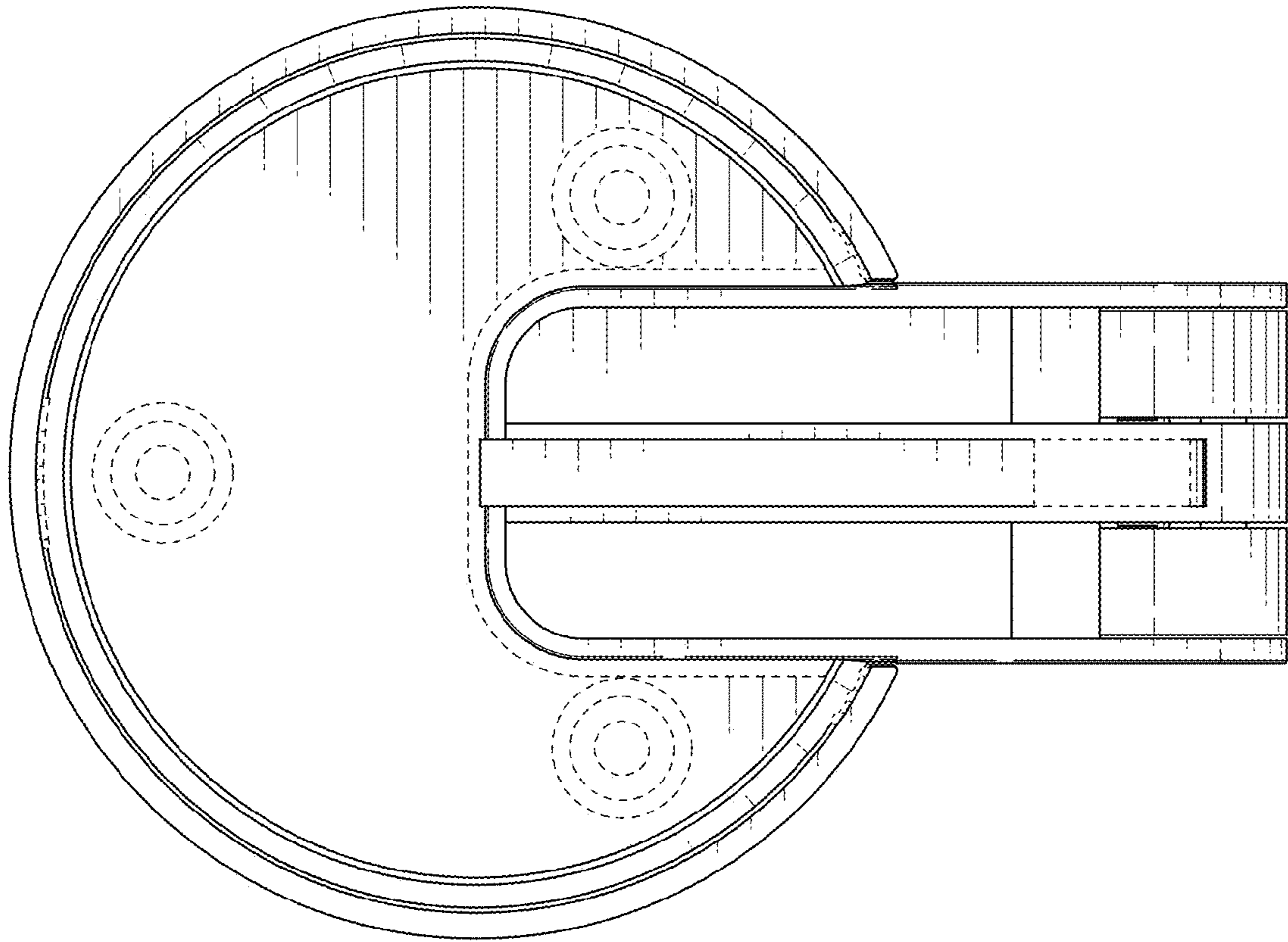


FIG. 23

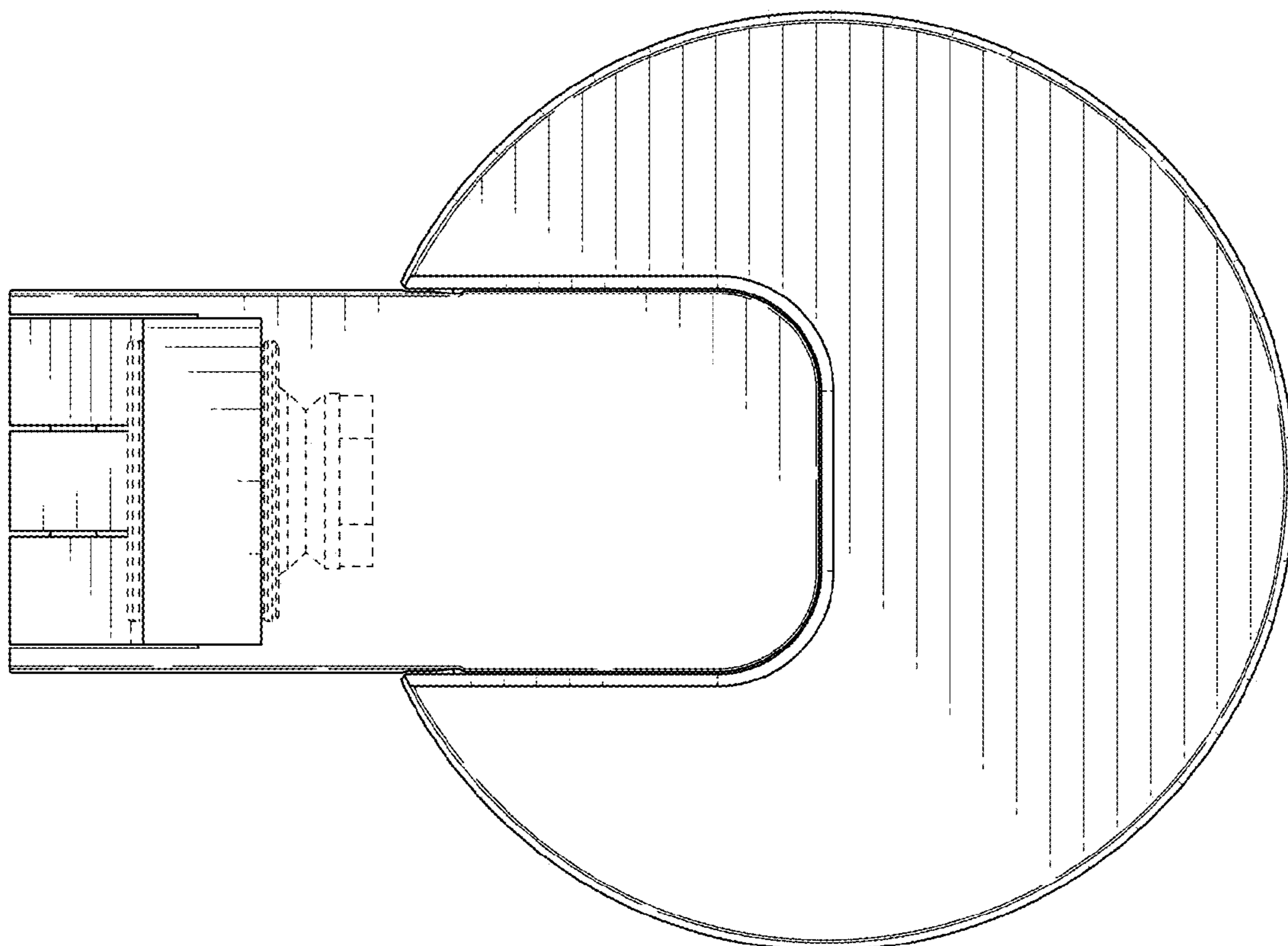


FIG. 22

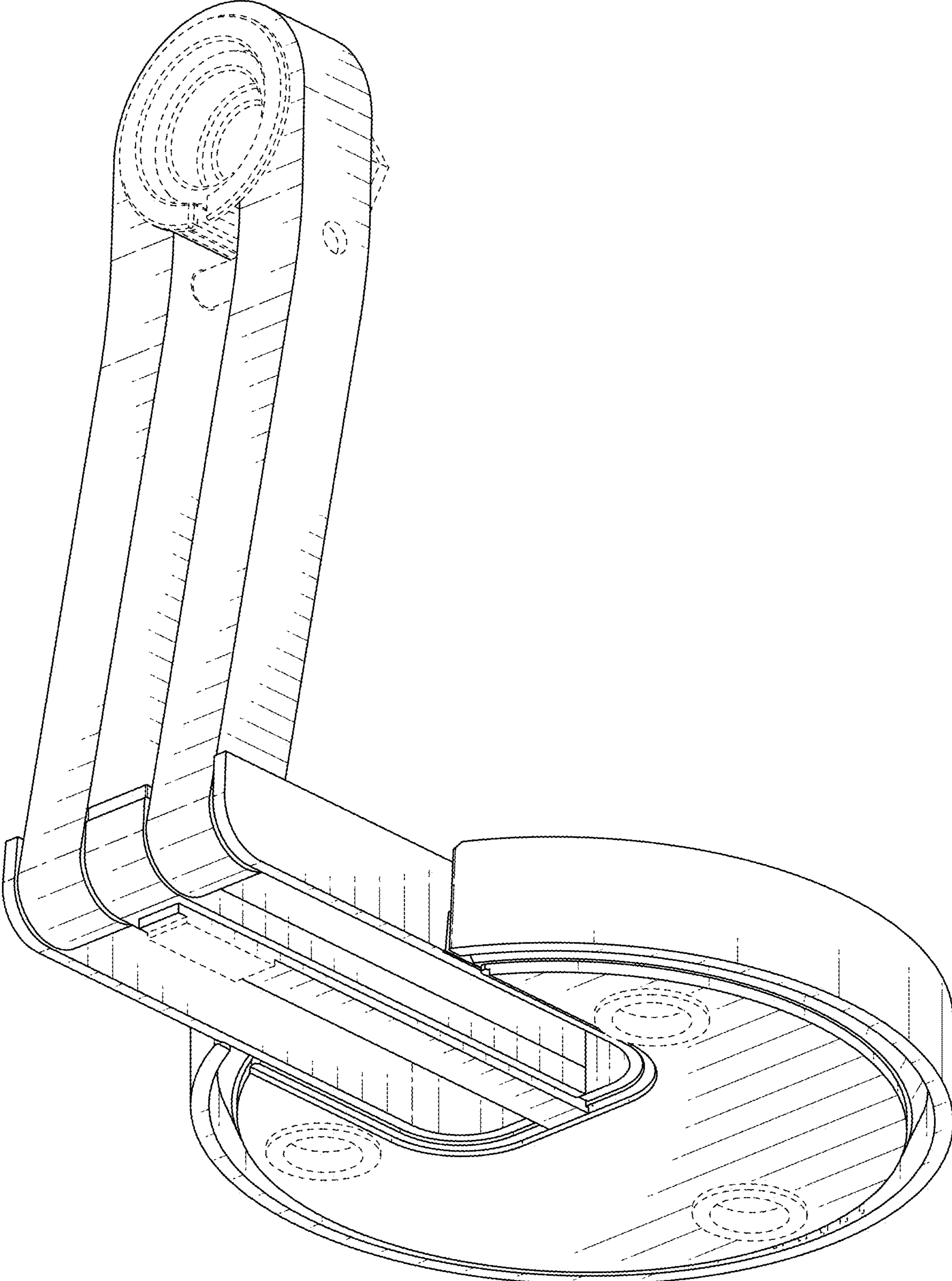


FIG. 24

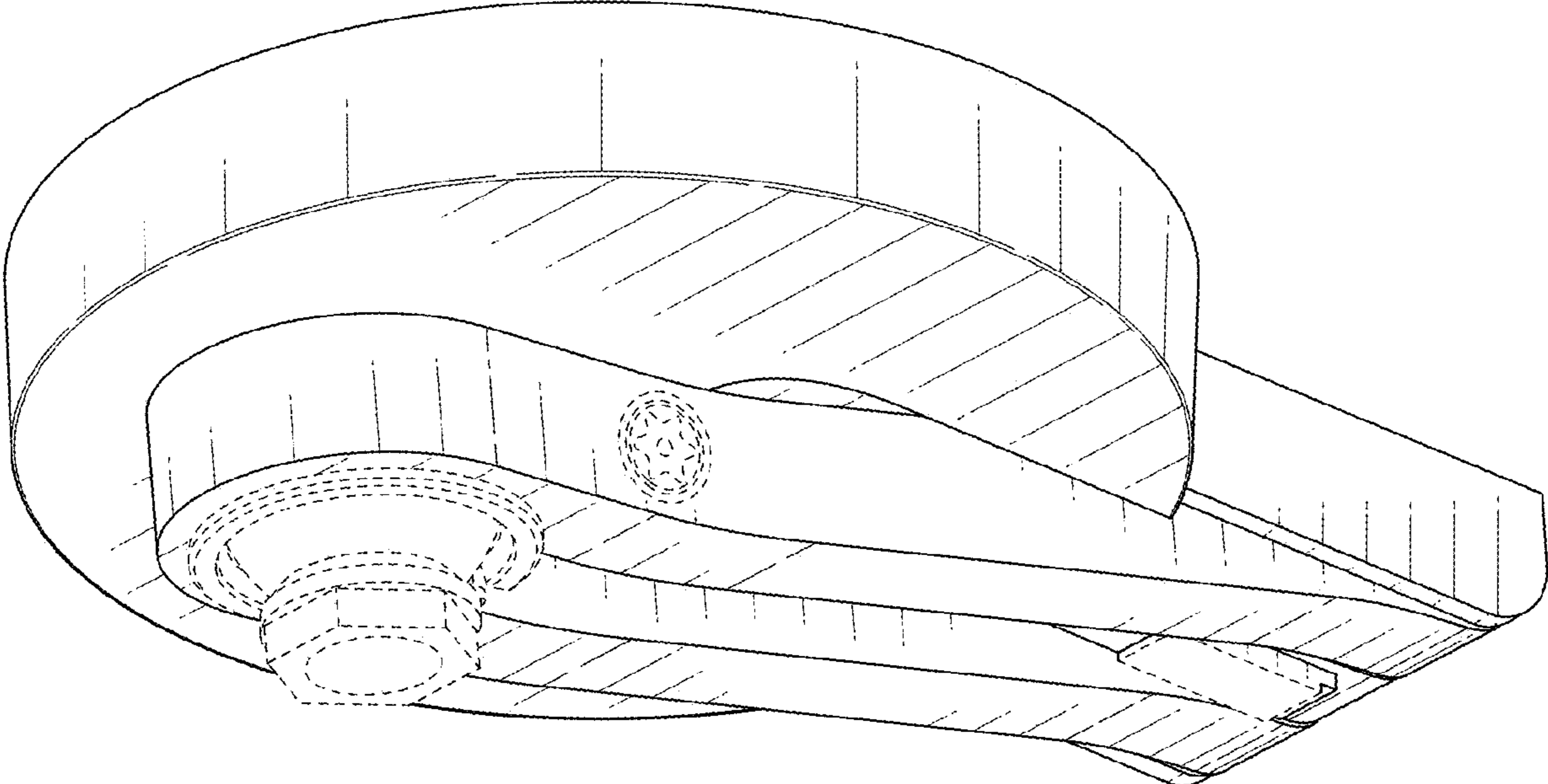


FIG. 25

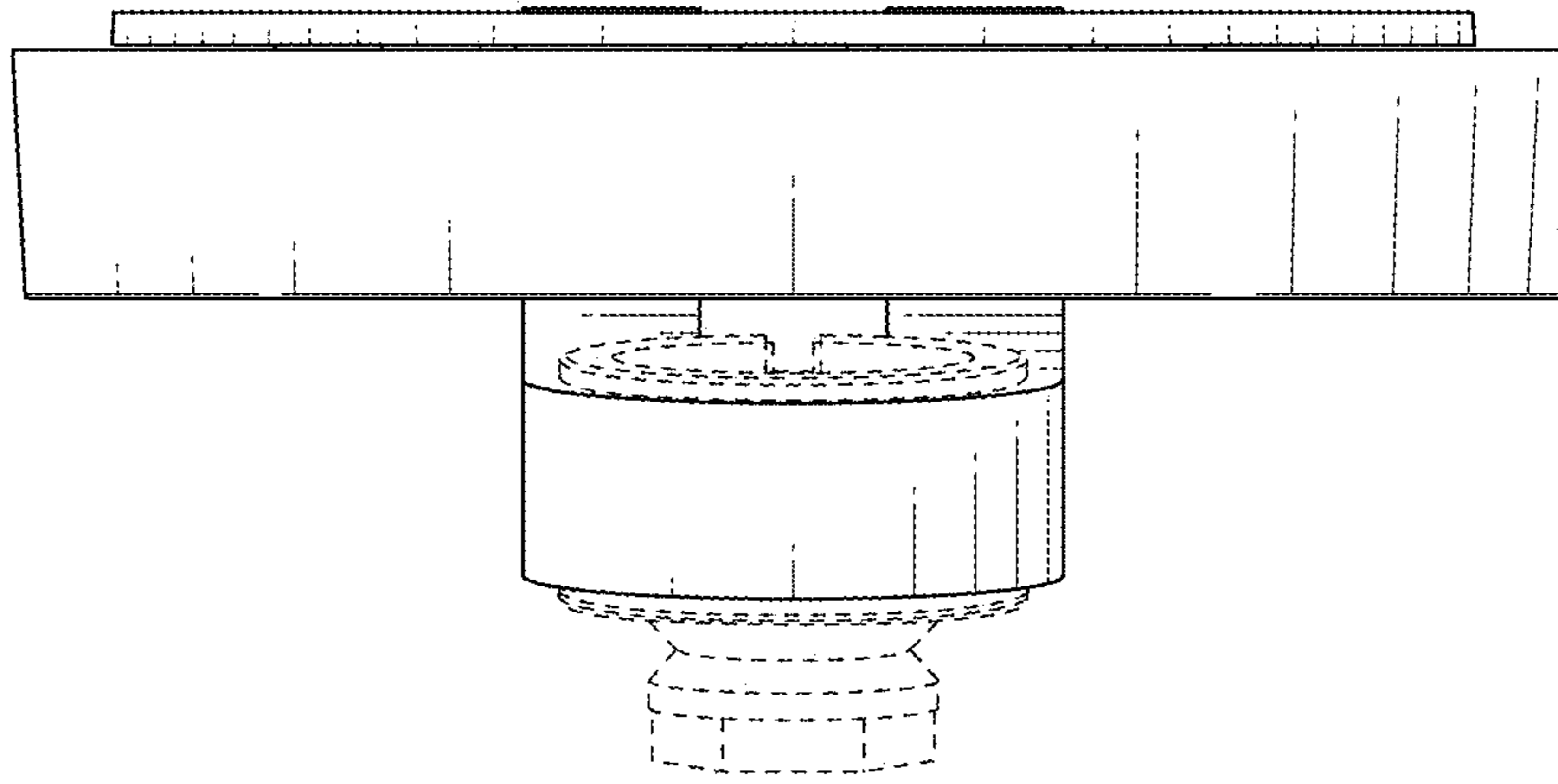


FIG. 26

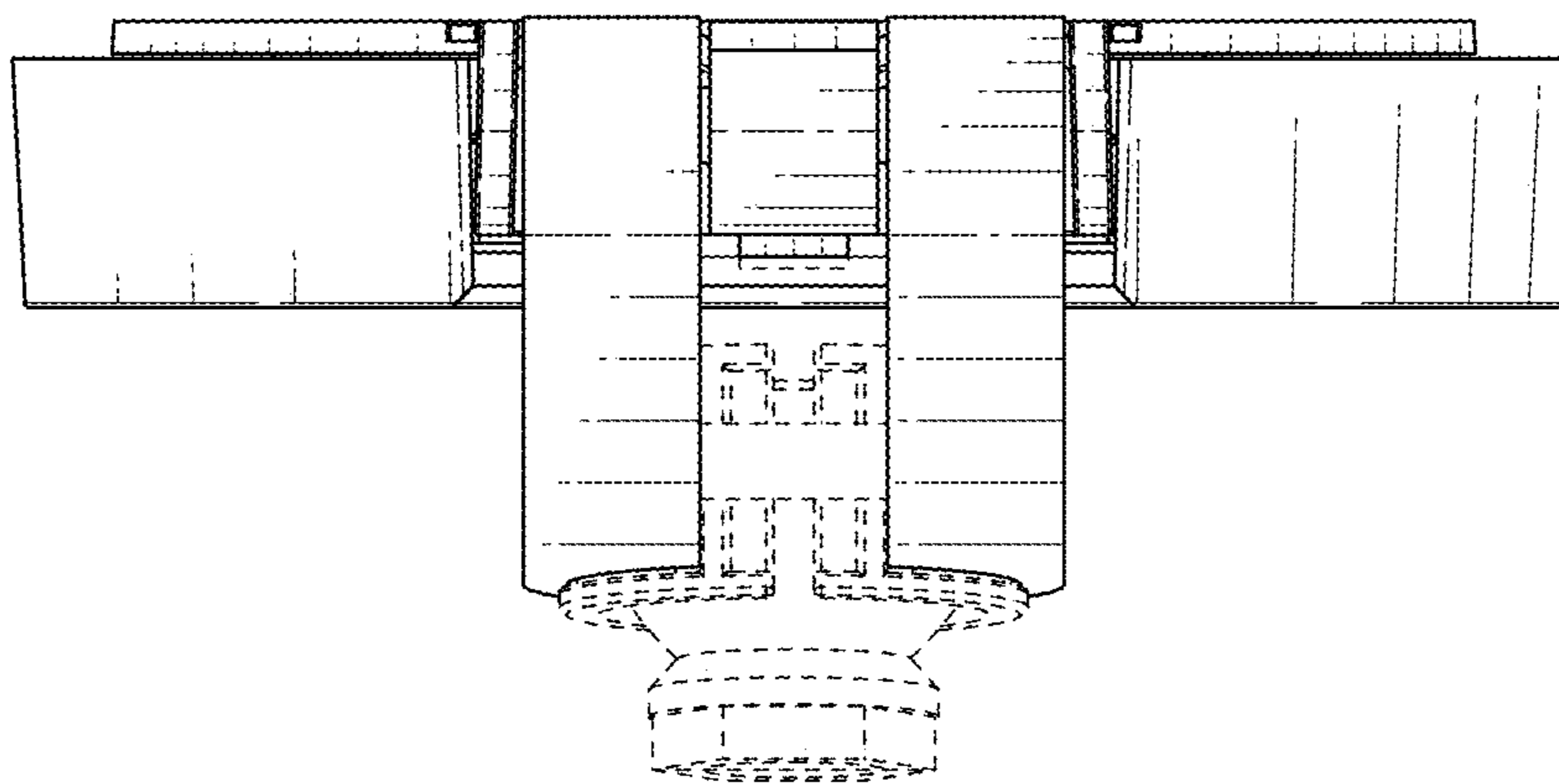


FIG. 27

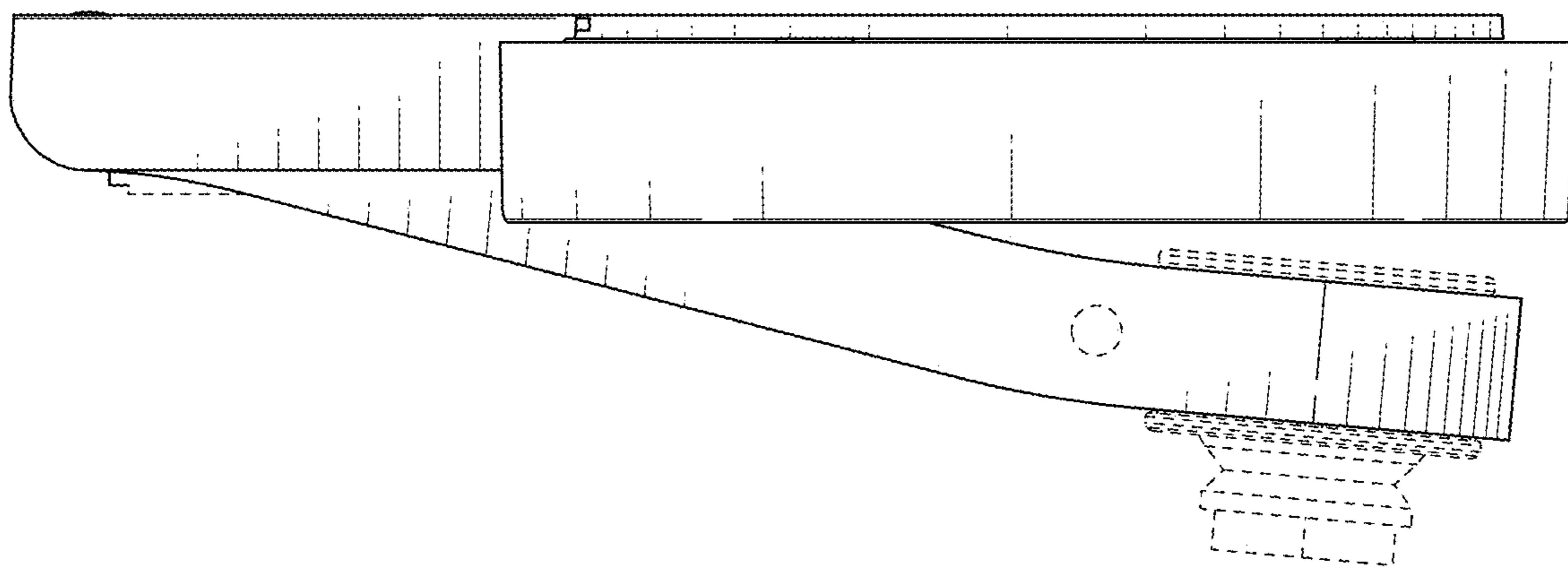


FIG. 28

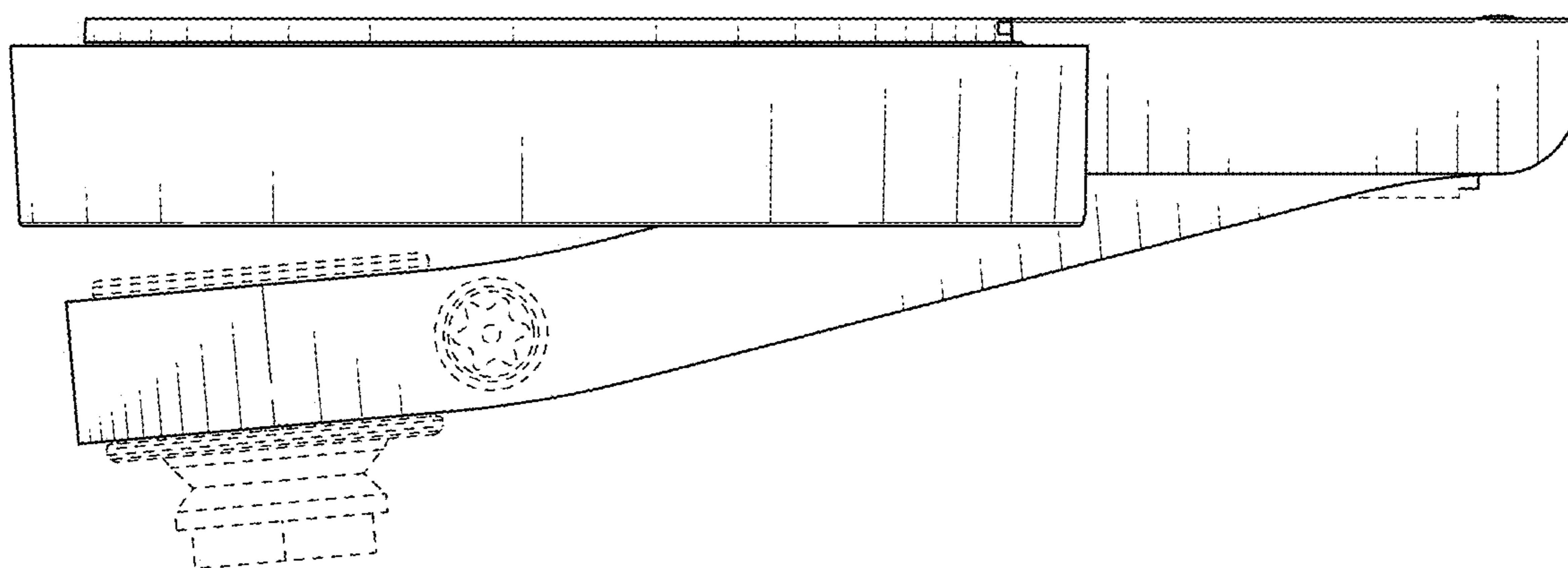


FIG. 29

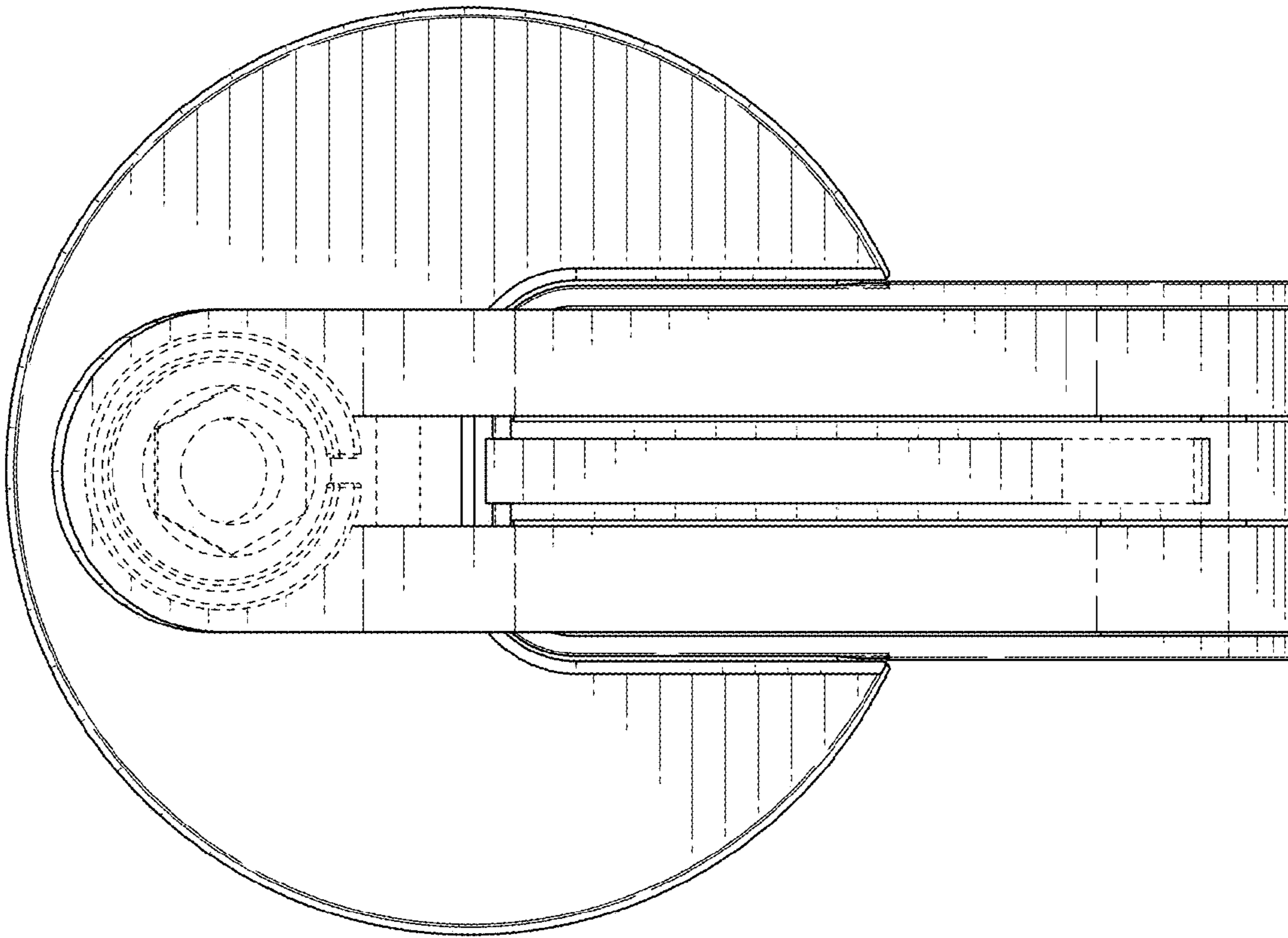


FIG. 31

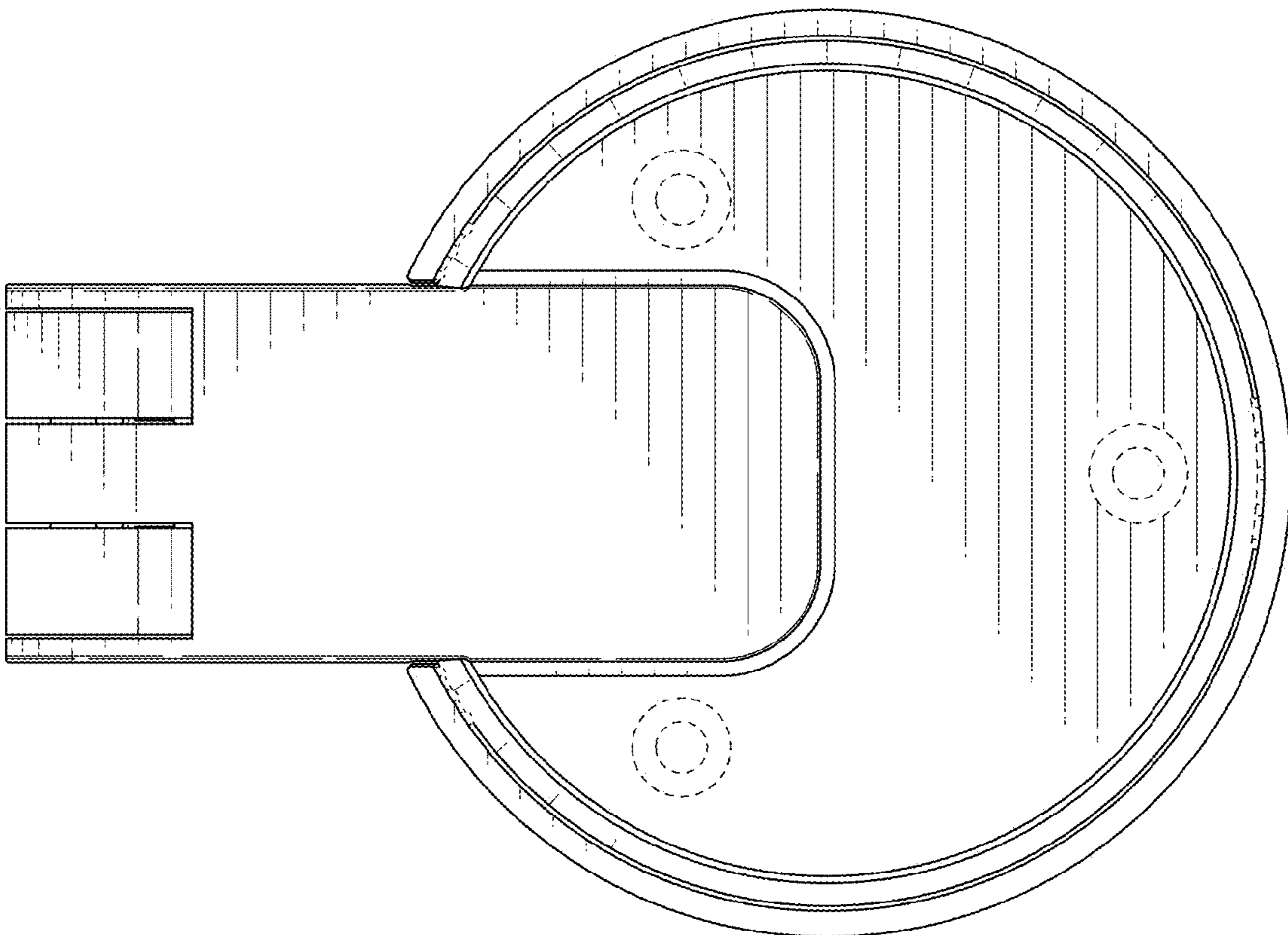


FIG. 30

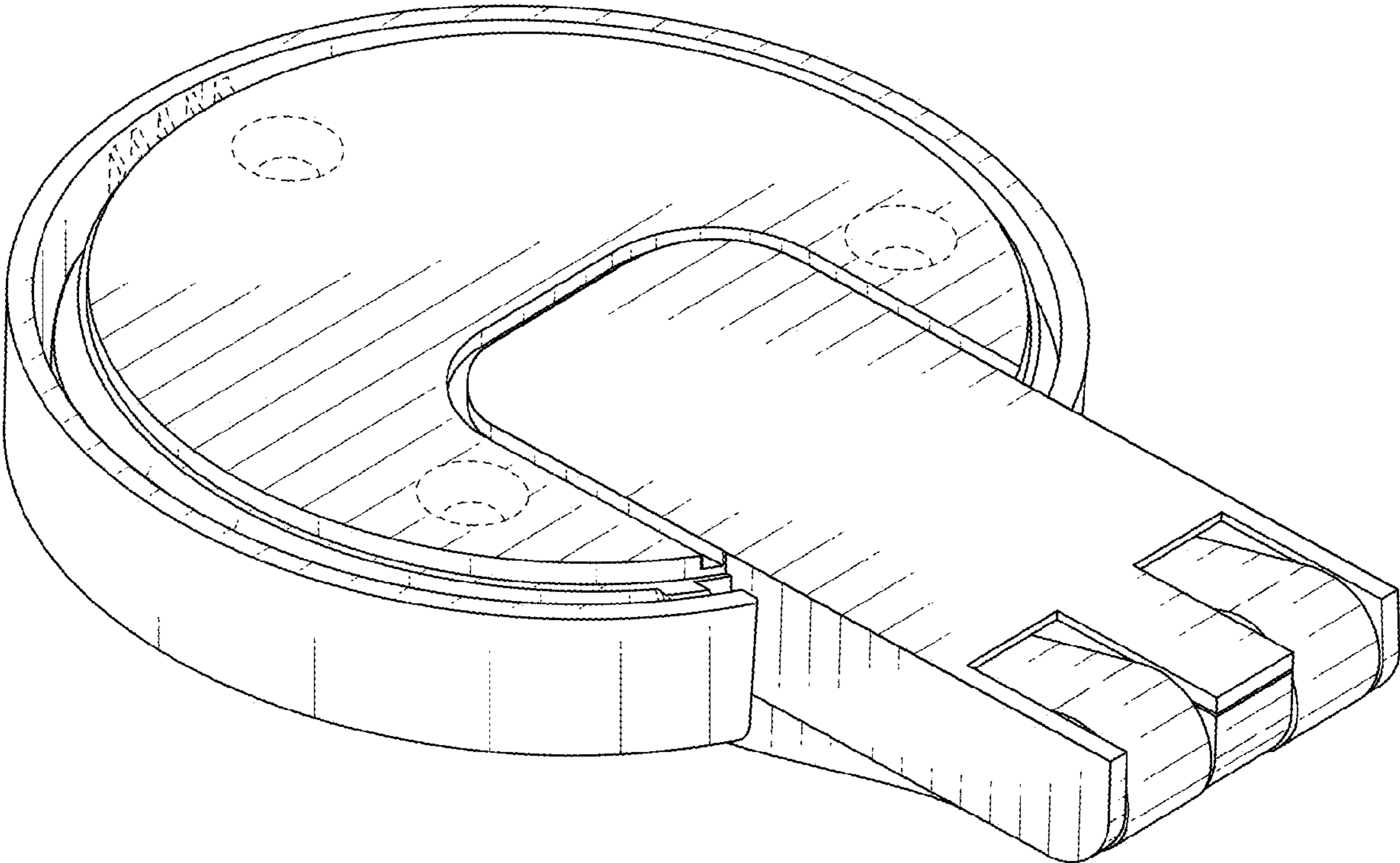


FIG. 32