



US00D900120S

(12) **United States Design Patent**
Burmester

(10) **Patent No.: US D900,120 S**
(45) **Date of Patent: ** Oct. 27, 2020**

(54) **SUPPORT FOR COMPUTER TERMINALS
AND COMPUTER KEYBOARDS**

(71) Applicant: **ERGONOMIC SOLUTIONS
INTERNATIONAL LIMITED**, Surrey
(GB)

(72) Inventor: **Benny Burmester**, Norresundby (DK)

(73) Assignee: **ERGONOMIC SOLUTIONS
INTERNATIONAL LIMITED**, Surrey
(GB)

(**) Term: **15 Years**

(21) Appl. No.: **29/698,310**

(22) Filed: **Jul. 16, 2019**

Related U.S. Application Data

(60) Continuation of application No. 29/588,803, filed on
Dec. 22, 2016, now abandoned, which is a division of
(Continued)

(51) **LOC (12) Cl.** **14-02**

(52) **U.S. Cl.**
USPC **D14/447**

(58) **Field of Classification Search**
USPC D14/447-452, 336, 341, 371, 373, 374,
D14/375, 376, 377, 126, 127, 128, 129,
D14/239

(Continued)

(56) **References Cited**

U.S. PATENT DOCUMENTS

D291,316 S 8/1987 Johnston et al.
D323,085 S 1/1992 Konkel

(Continued)

FOREIGN PATENT DOCUMENTS

DE 19525391 A1 2/1996
GB 2391170 A 2/2004

(Continued)

OTHER PUBLICATIONS

Amazon. Link: https://www.amazon.com/dp/B07CSBRM84/ref=cm_sw_r_tw_dp_U_x_Osp.DbNHV7VF5. Sep. 3, 2015. Discount Credit Card Supply Freestanding Swivel and Tilt Clover Mini Terminal. (Year: 2015).*

(Continued)

Primary Examiner — Susan Bennett Hattan

Assistant Examiner — Lauren D McVey

(74) *Attorney, Agent, or Firm* — Berg Hill Greenleaf
Ruscitti LLP

(57) **CLAIM**

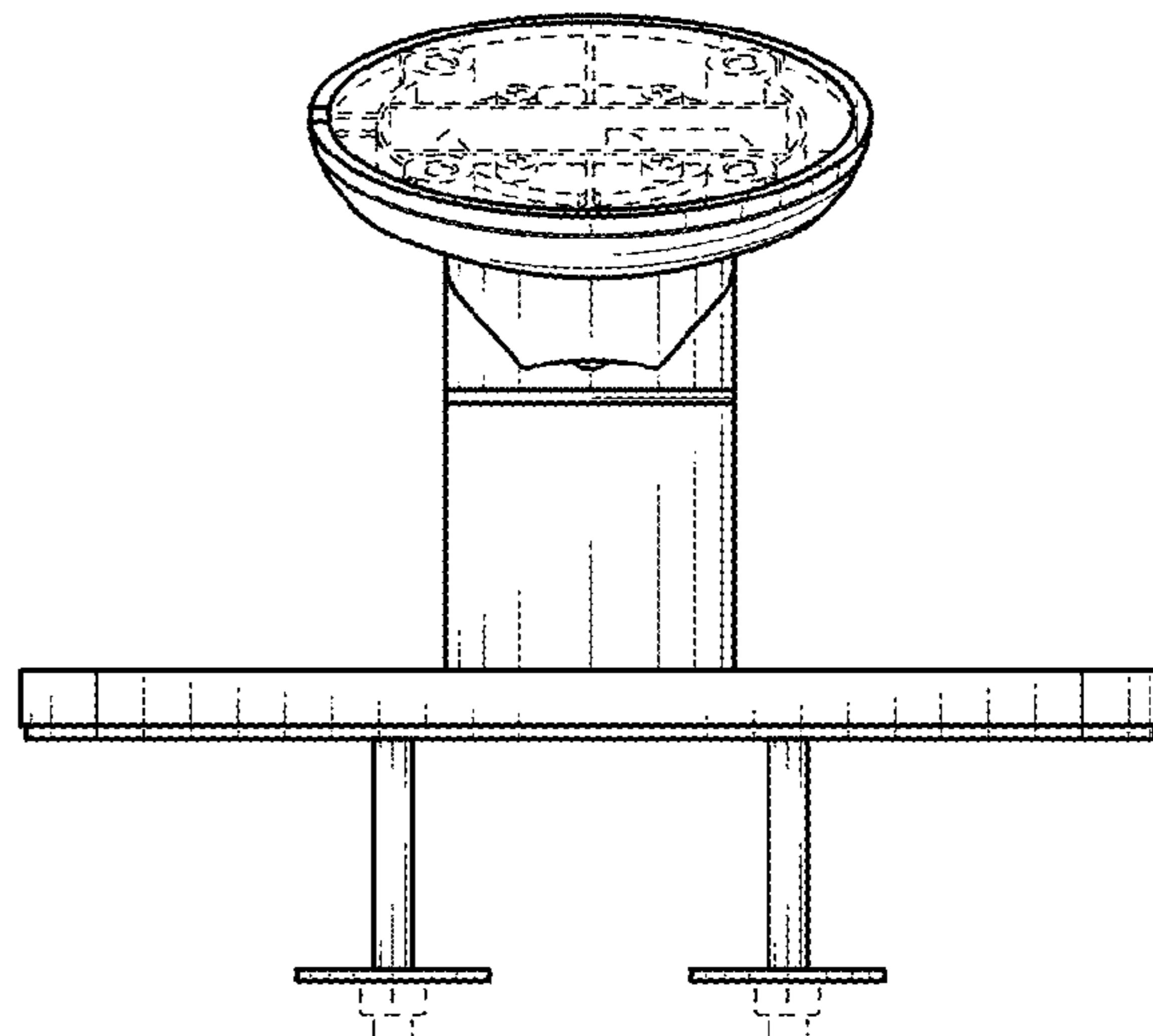
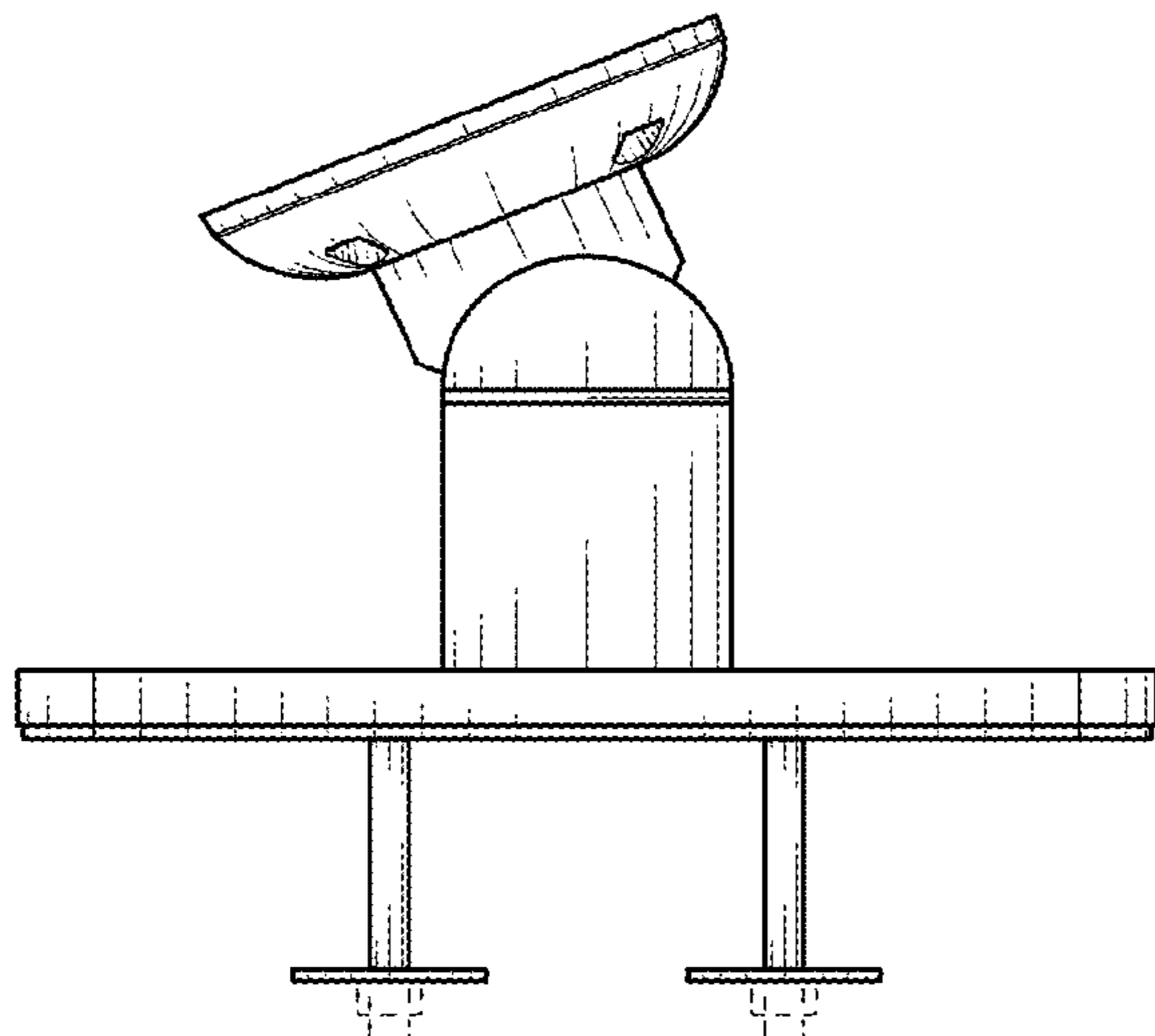
The ornamental design for support for computer terminals
and computer keyboards, as shown and described.

DESCRIPTION

FIG. 1 is a rear elevation view of the a support for computer
terminals and computer keyboards showing my new design;
FIG. 2 is a left side elevation view thereof;
FIG. 3 is a right side elevation view thereof;
FIG. 4 is a front elevation view thereof;
FIG. 5 is a bottom plan view thereof; and,
FIG. 6 is a top left perspective view thereof.

The broken lines immediately adjacent to the shaded areas
depict the bounds of the claimed design, while all other
broken lines are directed to environment. In addition, the
unshaded rear surfaces that directly adjoin the claimed solid
line edges form no part of the claimed design. The broken
lines form no part of the claimed design.

1 Claim, 2 Drawing Sheets



Related U.S. Application Data

application No. 29/543,067, filed on Oct. 20, 2015,
now Pat. No. Des. 846,554.

(58) **Field of Classification Search**

CPC F16M 11/105; F16M 11/10; F16M 11/048;
F16M 11/12; F16M 13/022

See application file for complete search history.

(56) **References Cited**

U.S. PATENT DOCUMENTS

D349,489 S	8/1994	Wang	
D354,750 S	1/1995	Lewis	
D407,408 S	3/1999	Hoff	
D409,018 S	5/1999	Deuschle	
D423,821 S	5/2000	Crump	
D426,200 S	6/2000	Aeschbacher et al.	
D454,136 S	3/2002	Deuschle	
D456,415 S	4/2002	Deuschle	
D460,078 S	7/2002	Li	
6,476,717 B1	11/2002	Gross et al.	
D495,370 S	8/2004	Loerop et al.	
D496,923 S	10/2004	Allen	
D545,825 S	7/2007	Richter	
D545,826 S	7/2007	Richter	
D556,205 S	11/2007	Wohlford et al.	
D563,693 S	3/2008	Calleja	
D568,144 S	5/2008	Wohlford et al.	
D588,141 S	3/2009	Heggland et al.	
D588,602 S	3/2009	Chao et al.	
D591,755 S	5/2009	Richter	
D591,756 S	5/2009	Wohlford et al.	
D597,764 S	8/2009	Topcuoglu	
D602,342 S	10/2009	Brassard	
D607,844 S	1/2010	Feldstein et al.	
D614,613 S	4/2010	Kim et al.	
D629,405 S	12/2010	Crysell	
8,020,816 B2	9/2011	Laitila et al.	
D658,651 S	5/2012	Lee et al.	
D663,306 S	7/2012	Barbieri	
D671,545 S	11/2012	Guran	
8,317,152 B1	11/2012	Zhou	
D678,297 S	3/2013	Willkomm	
D688,672 S	8/2013	Seo et al.	
D691,149 S	10/2013	Breton	
D693,352 S	11/2013	Gelsomini et al.	
D696,259 S	12/2013	Howarth et al.	
D696,674 S *	12/2013	Vogel	D14/447
D702,244 S	4/2014	Seo et al.	
D704,195 S	5/2014	Marquette	
D704,709 S	5/2014	Bussoli	
D704,713 S	5/2014	Liniger	

D704,716 S	5/2014	Ho	
D708,187 S	7/2014	Xiang	
D724,072 S	3/2015	Jiang et al.	
D729,222 S	5/2015	Grziwok et al.	
9,038,971 B1	5/2015	Guthrie	
D733,157 S	6/2015	Kim et al.	
D733,526 S	7/2015	Delrue et al.	
D735,210 S	7/2015	Kim et al.	
D735,727 S	8/2015	Dugger et al.	
D746,902 S *	1/2016	Lyons	D18/4.5
D750,515 S	3/2016	Ditges et al.	
D772,739 S	11/2016	Browning et al.	
D792,414 S	7/2017	Floersch et al.	
D797,748 S *	9/2017	Robinson	D14/447
D803,840 S	11/2017	Burmester	
D837,876 S *	1/2019	Lyons	D18/4.5
2001/0035479 A1	11/2001	Roebuck	
2005/0045779 A1 *	3/2005	Nan	A61H 19/44 248/133
2007/0157856 A1	7/2007	Skoog et al.	
2008/0017764 A1 *	1/2008	Nan	A61H 19/44 248/133
2010/0084998 A1 *	4/2010	Li	F16M 11/105 318/3
2012/0305733 A1 *	12/2012	Vogel	F16M 11/14 248/371
2014/0263884 A1 *	9/2014	Grziwok	F16M 11/06 248/176.3
2015/0345699 A1	12/2015	Manniche et al.	

FOREIGN PATENT DOCUMENTS

JP	D1501569	6/2014
JP	D1501570	6/2014

OTHER PUBLICATIONS

Amazon. Link: https://www.amazon.com/dp/B01LWY4AZ3/ref=cm_sw_r_tw_dp_U_x_xqp.DbA1J4NSW. Sep. 21, 2016. VIVO Universal Height Adjustable Ergonomic Computer Monitor and Laptop Riser. (Year: 2016).*

Amazon. <URL: https://www.amazon.com/dp/B01M65SRGV/ref=sspa_dk_detail_2?psc=1> Oct. 18, 2016. Terminal Stand.

Acrom. <URL: <http://www.acrom.ro/spacepole-mounting-solutions/>>. Visited Sep. 9, 2016. Display mounting stands.

SpacePole. <URL: <http://www.ergonomicsolutions.net/products/clicksafe/>>. Visited Sep. 9, 2016. Display mounting stands.

Non-Final Office Action dated Jan. 17, 2018 in U.S. Appl. No. 29/588,803, filed Dec. 22, 2016, 13 pages.

Restriction Requirement dated Nov. 1, 2016 in U.S. Appl. No. 29/543,067, filed Oct. 20, 2015, 9 pages.

* cited by examiner

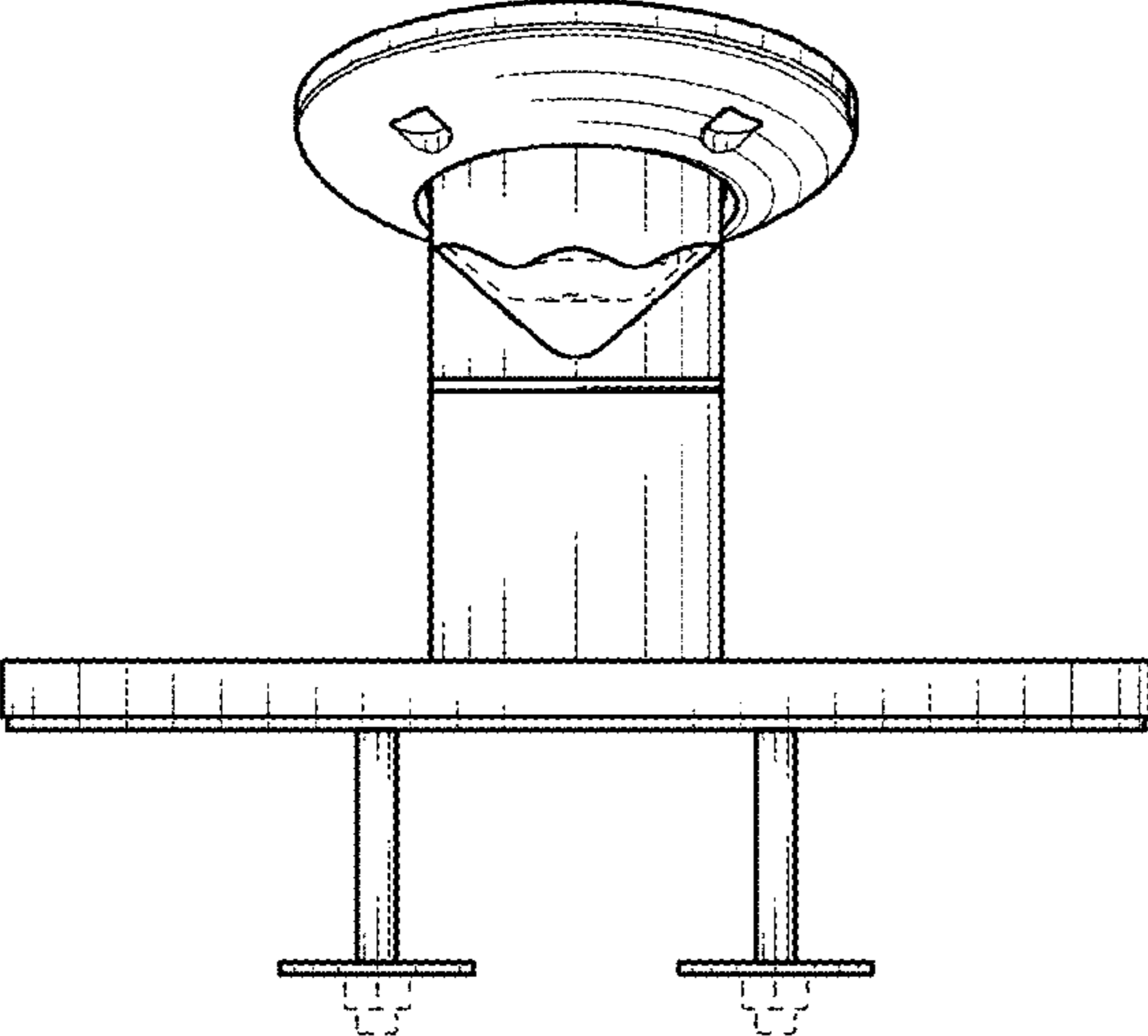


FIG. 1

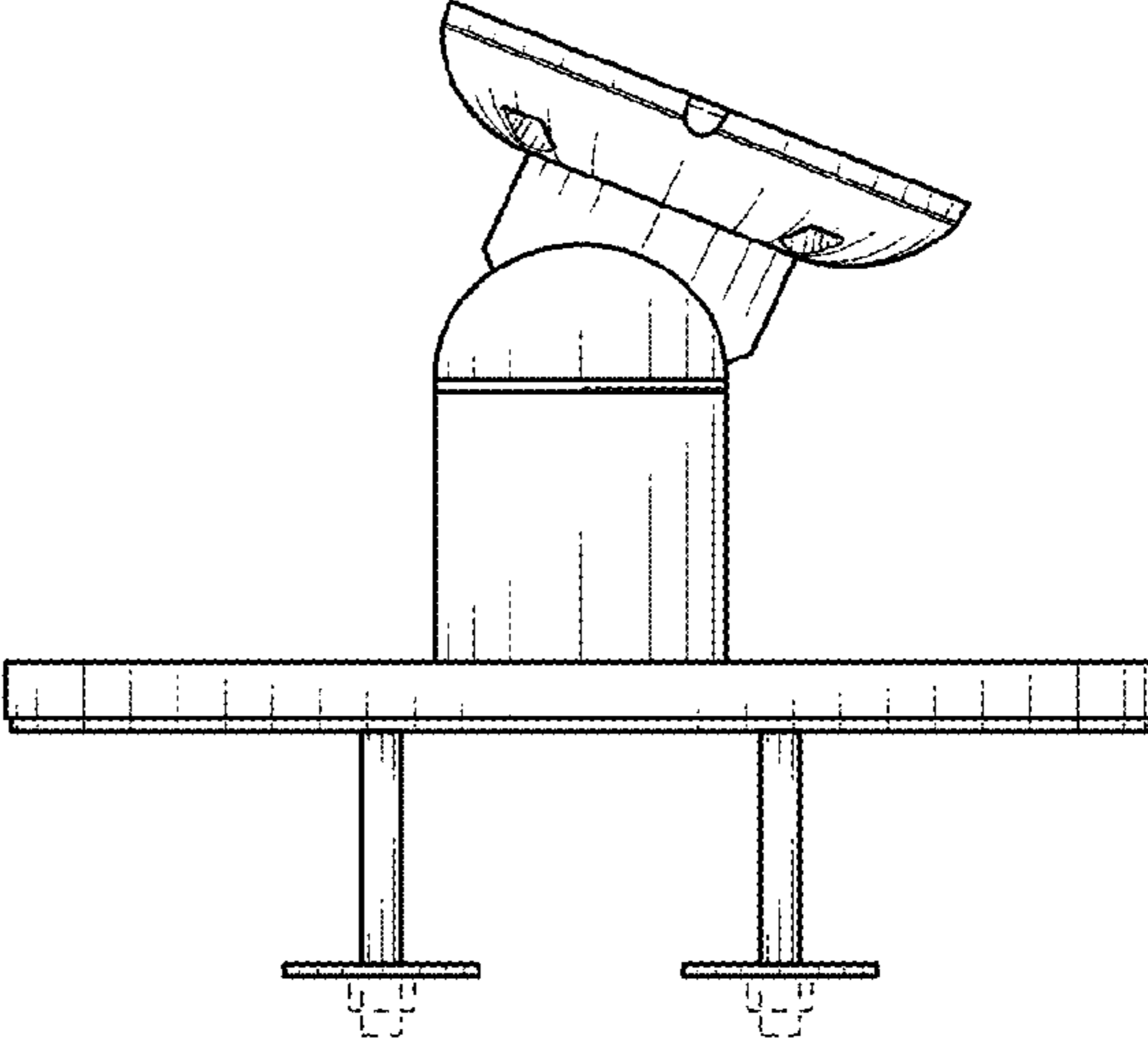


FIG. 2

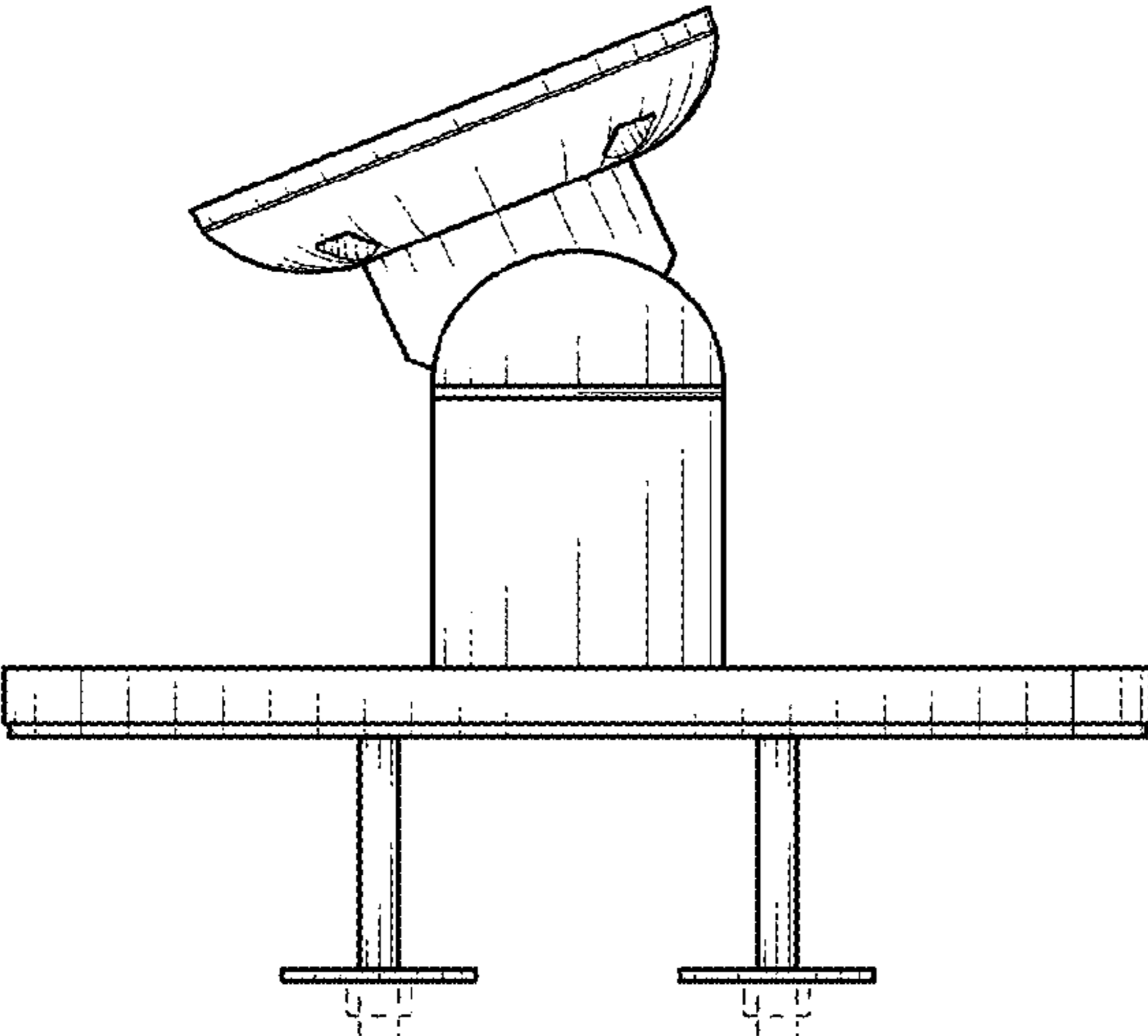


FIG. 3

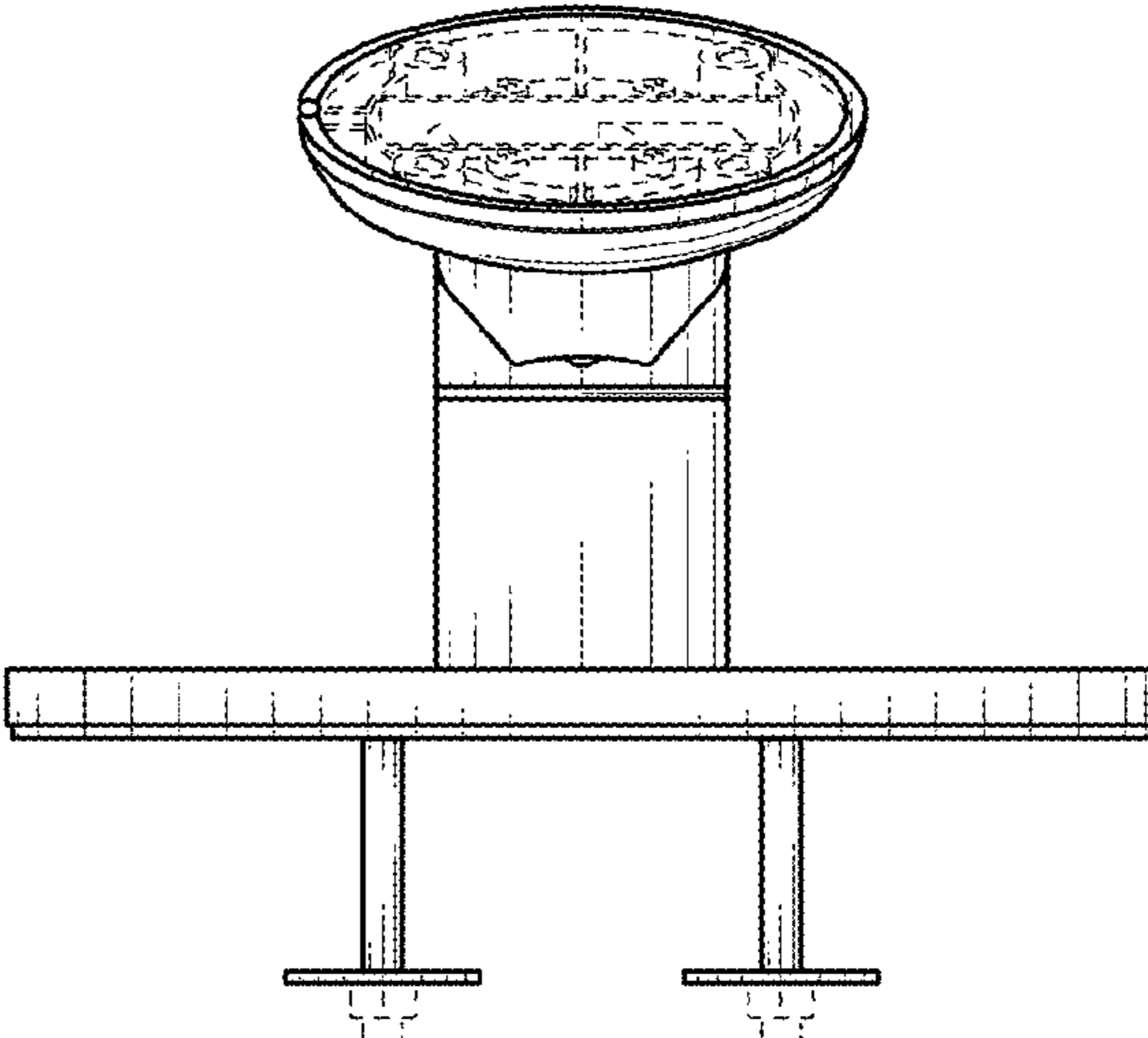


FIG. 4

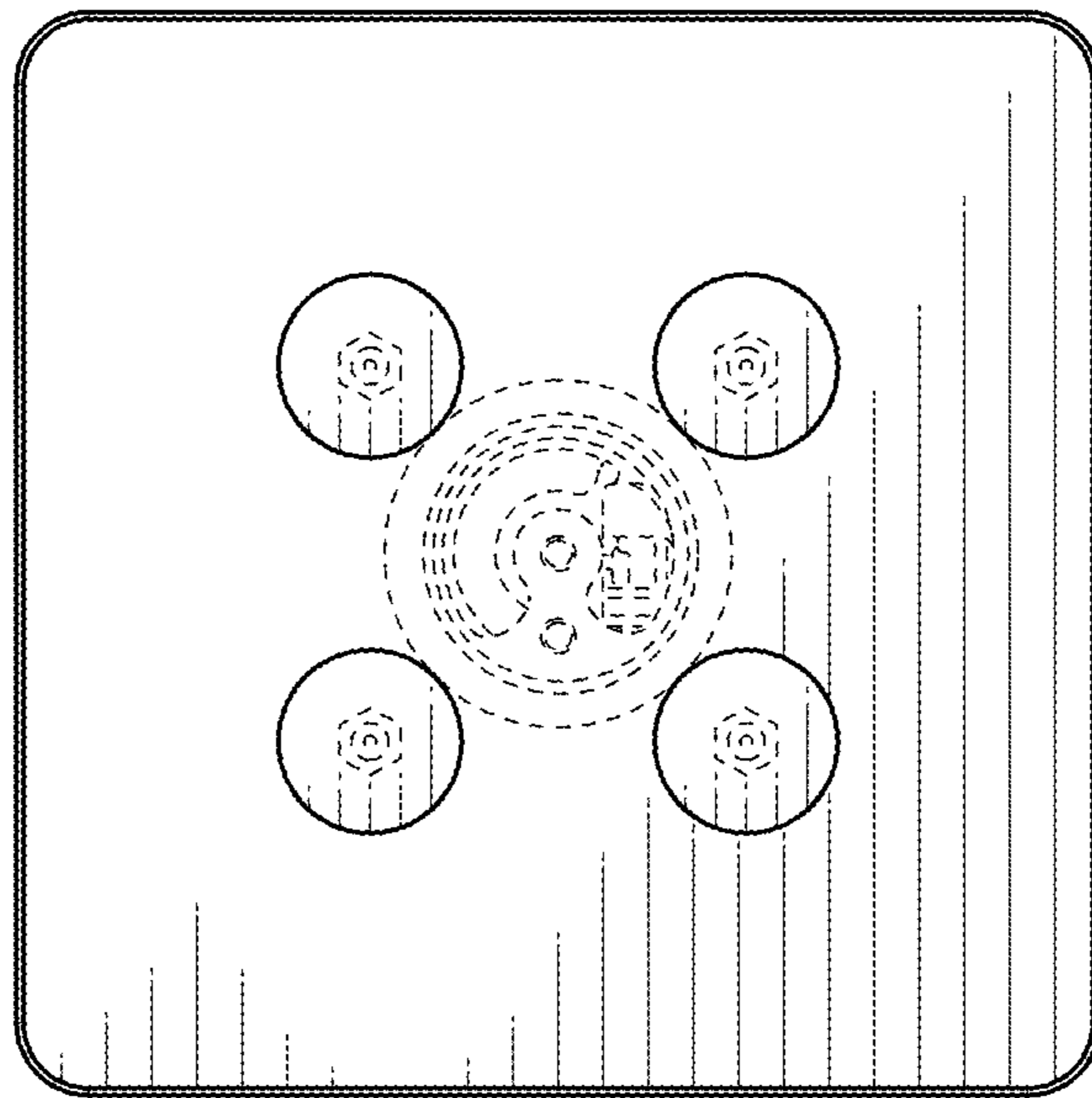


FIG. 5

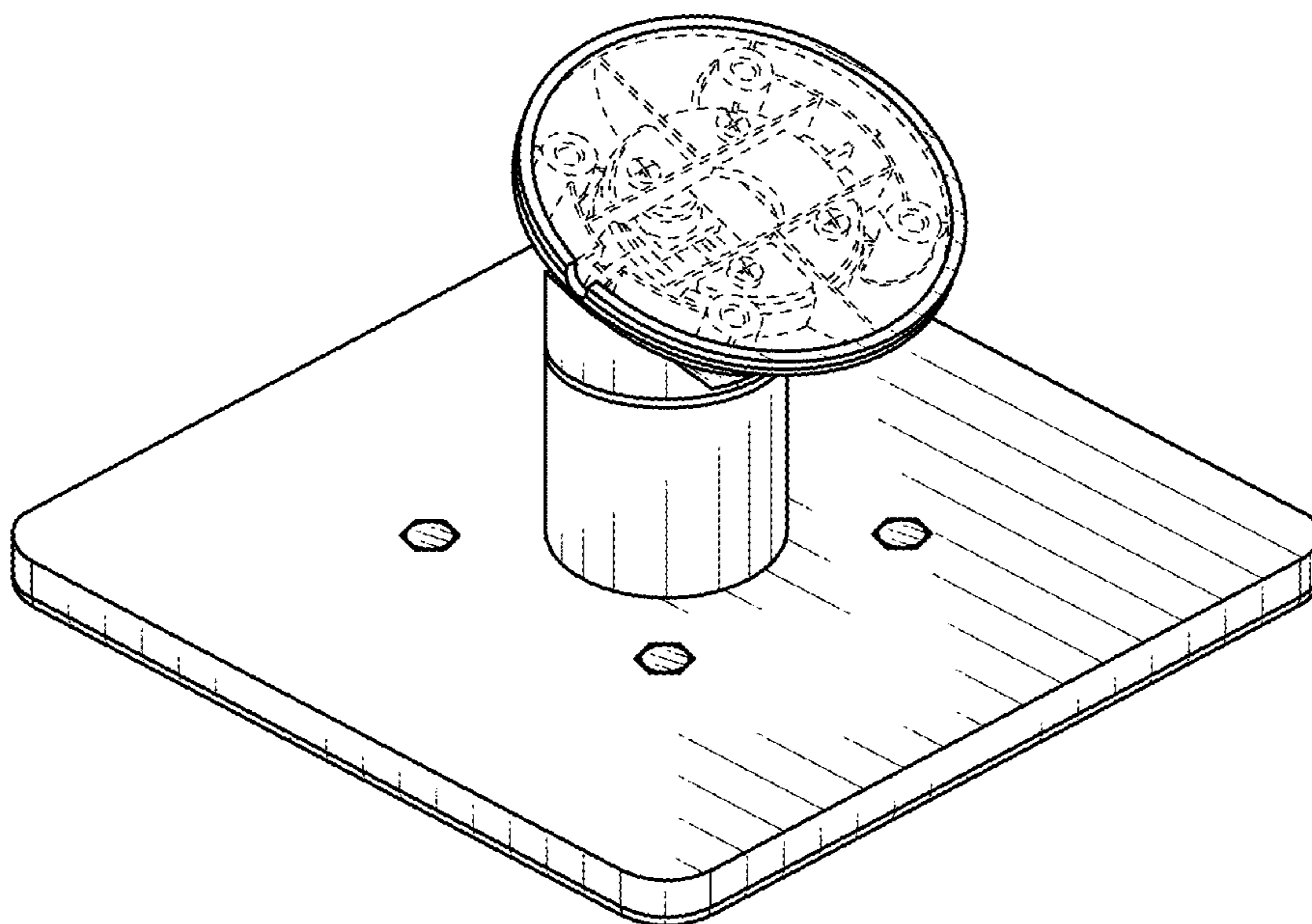


FIG. 6