



US00D900119S

(12) **United States Design Patent** (10) **Patent No.:** **US D900,119 S**
Burmester (45) **Date of Patent:** **** Oct. 27, 2020**

(54) **SUPPORT FOR COMPUTER TERMINALS AND COMPUTER KEYBOARDS**

D456,415 S 4/2002 Deuschle
D460,078 S 7/2002 Li
6,476,717 B1 11/2002 Gross et al.
D495,370 S 8/2004 Loerop et al.
D496,923 S 10/2004 Allen
D545,825 S 7/2007 Richter

(71) Applicant: **Ergonomic Solutions International Limited, Surrey (GB)**

(Continued)

(72) Inventor: **Benny Burmester, Norresundby (DK)**

(73) Assignee: **ERGONOMIC SOLUTIONS INTERNATIONAL LIMITED, Surrey (GB)**

FOREIGN PATENT DOCUMENTS

DE 19525391 A1 2/1996
GB 2391170 A 4/2004

(Continued)

(**) Term: **15 Years**

(21) Appl. No.: **29/684,065**

(22) Filed: **Mar. 18, 2019**

OTHER PUBLICATIONS

Amazon. <URL: https://www.amazon.com/dp/B01M65SRGV/ref=sspa_dk_detail_2?psc=1> Oct. 18, 2016. Pole mount.

(Continued)

Related U.S. Application Data

(60) Continuation of application No. 29/588,800, filed on Dec. 22, 2016, now abandoned, which is a division of application No. 29/543,067, filed on Oct. 20, 2015, now Pat. No. Des. 846,554.

Primary Examiner — Susan Bennett Hattan

Assistant Examiner — Lauren D McVey

(74) *Attorney, Agent, or Firm* — Berg Hill Greenleaf Ruscitti LLP

(51) **LOC (12) Cl.** **14-02**

(52) **U.S. Cl.**
USPC **D14/447**

(58) **Field of Classification Search**
USPC D14/447-452, 336, 337, 341, 371-377, D14/126, 127, 128, 129
CPC F16M 11/105; F16M 11/10; F16M 11/048; F16M 11/12; F16M 13/022
See application file for complete search history.

(57) **CLAIM**

The ornamental design for a support for computer terminals and computer keyboards, as shown and described.

DESCRIPTION

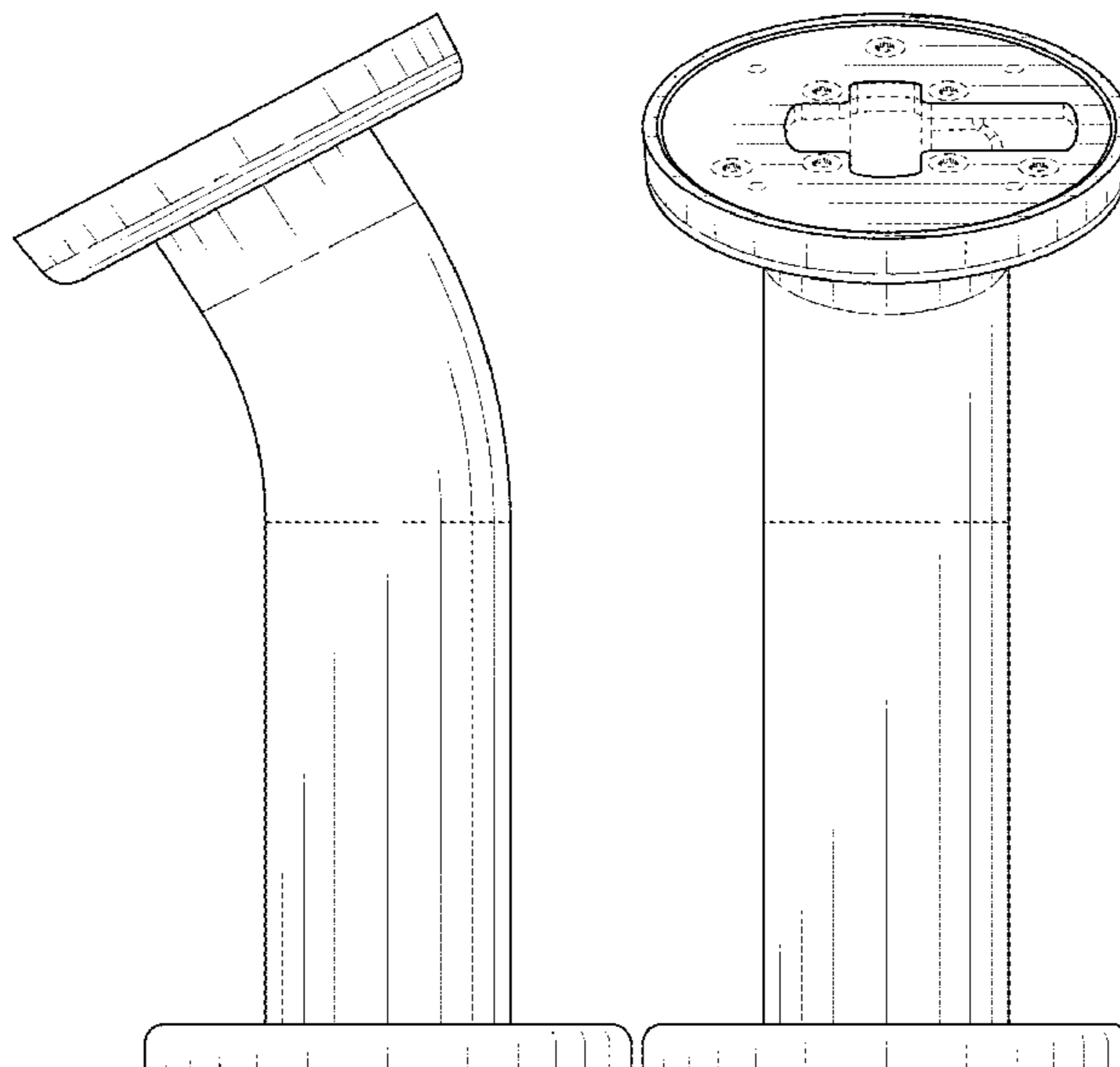
FIG. 1 is a rear elevation view of a support for computer terminals and computer keyboards showing my new design; FIG. 2 is a right side elevation view thereof; FIG. 3 is a front elevation view thereof; and, FIG. 4 is a top plan view thereof. The broken lines immediately adjacent to the shaded areas depict the bounds of the claimed design, while all other broken lines are directed to environment. The broken lines form no part of the claimed design.

(56) **References Cited**

U.S. PATENT DOCUMENTS

D349,489 S 8/1994 Wang
D354,750 S 1/1995 Lewis
D407,408 S 3/1999 Hoff
D423,821 S 5/2000 Crump
D426,200 S 6/2000 Aeschbacher et al.

1 Claim, 3 Drawing Sheets



(56)

References Cited

U.S. PATENT DOCUMENTS

D545,826 S 7/2007 Richter
 D556,205 S 11/2007 Wohlford et al.
 D568,144 S 5/2008 Wohlford et al.
 D588,141 S 3/2009 Heggland et al.
 D588,602 S 3/2009 Chao et al.
 D591,755 S 5/2009 Richter
 D591,756 S 5/2009 Wohlford et al.
 D597,764 S 8/2009 Topcuoglu
 D602,342 S 10/2009 Brassard
 D607,844 S 1/2010 Feldstein et al.
 D614,613 S 4/2010 Kim et al.
 D629,405 S 12/2010 Crysell
 8,020,816 B2 9/2011 Laitila et al.
 D658,651 S 5/2012 Lee et al.
 D663,306 S 7/2012 Barbieri
 D671,545 S * 11/2012 Guran D14/447
 8,317,152 B1 11/2012 Zhou
 D678,297 S 3/2013 Willkomm
 D688,672 S 8/2013 Seo et al.
 D691,149 S 10/2013 Breton
 D693,352 S 11/2013 Gelsomini et al.
 D696,259 S 12/2013 Howarth et al.
 D696,674 S * 12/2013 Vogel D14/447
 D702,244 S 4/2014 Seo et al.
 D704,195 S 5/2014 Marquette
 D704,709 S 5/2014 Bussoli
 D704,713 S 5/2014 Liniger
 D704,719 S 5/2014 Ho
 D724,072 S 3/2015 Jiang et al.
 D729,222 S 5/2015 Grziwok et al.
 9,038,971 B1 5/2015 Guthrie
 D733,157 S 6/2015 Kim et al.
 D733,526 S 7/2015 Delrue et al.

D735,210 S 7/2015 Kim et al.
 D735,727 S 8/2015 Dugger et al.
 D750,515 S 3/2016 Ditges et al.
 D772,739 S 11/2016 Browning et al.
 D774,037 S * 12/2016 Kang D14/451
 D792,414 S 7/2017 Floersch et al.
 D792,415 S 7/2017 Tsai
 D797,748 S * 9/2017 Robinson D14/447
 D803,840 S 11/2017 Burmester
 D806,084 S * 12/2017 Nelson D14/447
 D806,085 S * 12/2017 Nelson D14/447
 D806,714 S * 1/2018 Nelson D14/447
 D807,893 S * 1/2018 Nelson D14/447
 D808,396 S * 1/2018 Nelson D14/447
 D824,917 S * 8/2018 Nelson D14/447
 D832,273 S * 10/2018 Burmester D14/447
 D835,112 S * 12/2018 Kim D14/447
 D835,113 S * 12/2018 Kim D14/447
 2001/0035476 A1 11/2001 Ripplinger
 2007/0157856 A1 7/2007 Skoog et al.
 2014/0263884 A1 9/2014 Grziwok et al.
 2015/0345699 A1 12/2015 Manniche et al.

FOREIGN PATENT DOCUMENTS

JP D1501569 S 6/2014
 JP D1501570 S 6/2014

OTHER PUBLICATIONS

Acrom. <URL: <http://www.acrom.ro/spacepole-mounting-solutions/>>. Visited Sep. 9, 2016. Display mounting stands.
 SpacePole. <URL: <http://www.ergonomicsolutions.net/products/clicksafe/>>. Visited Sep. 9, 2016. Display mounting stands.

* cited by examiner

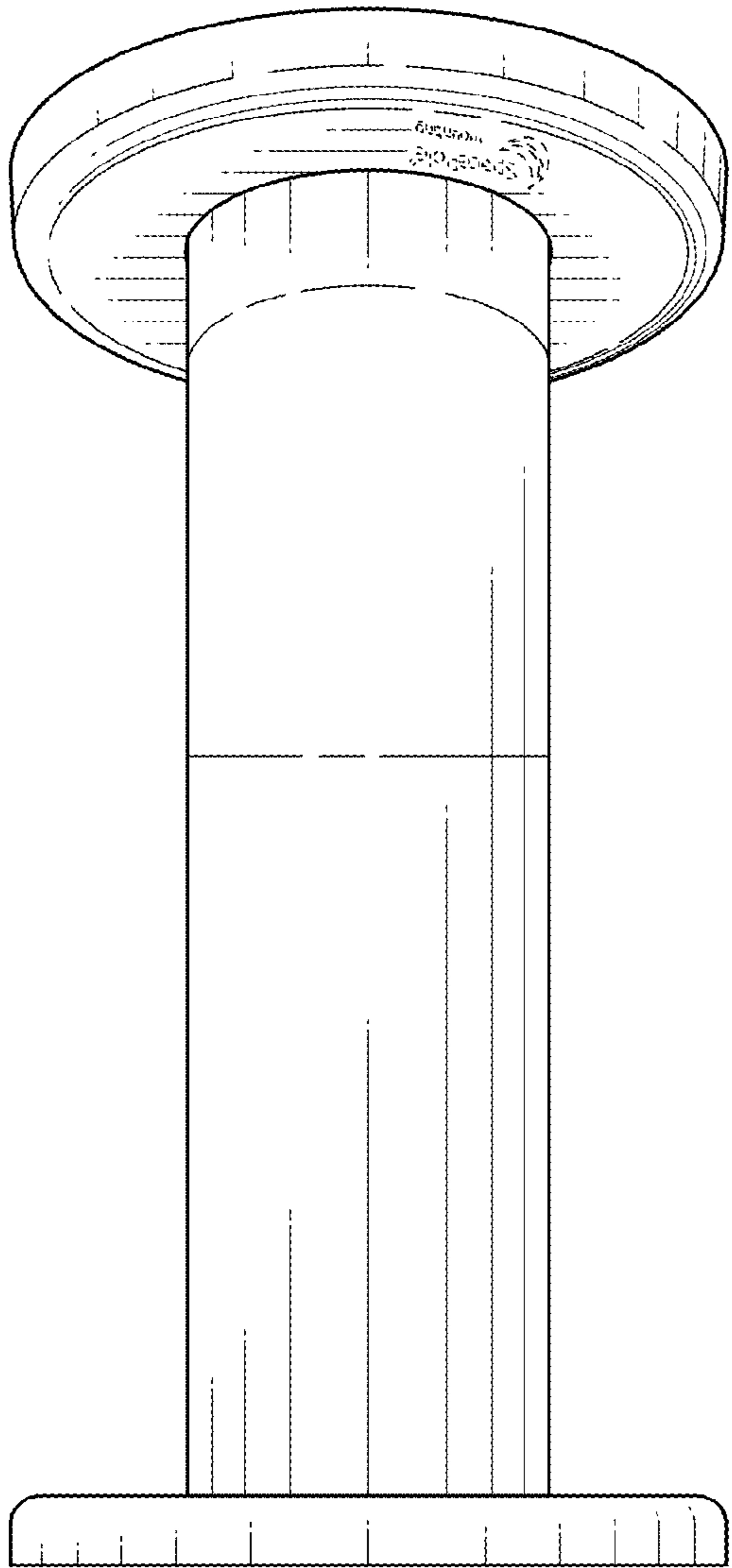


FIG. 1

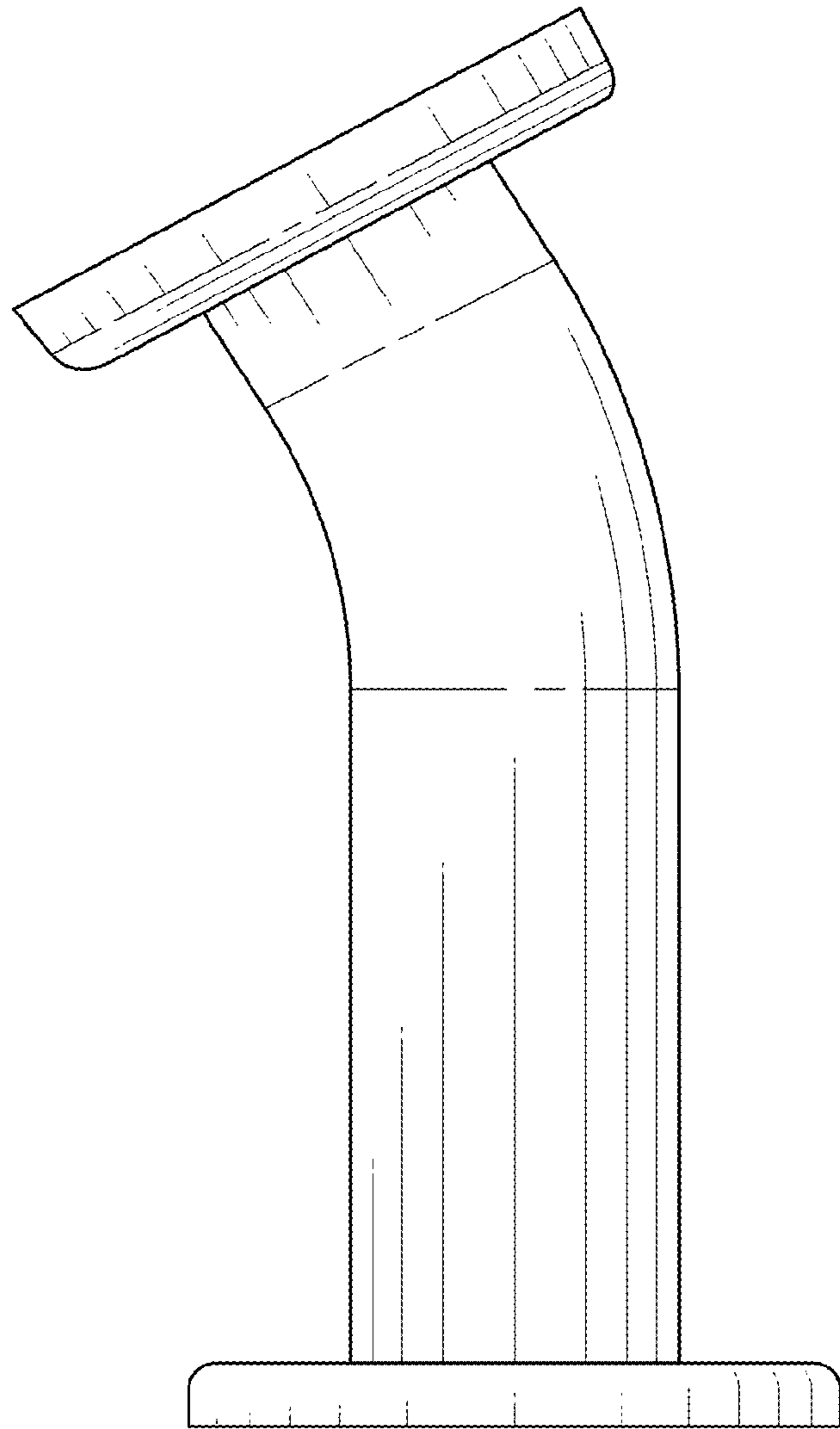


FIG. 2

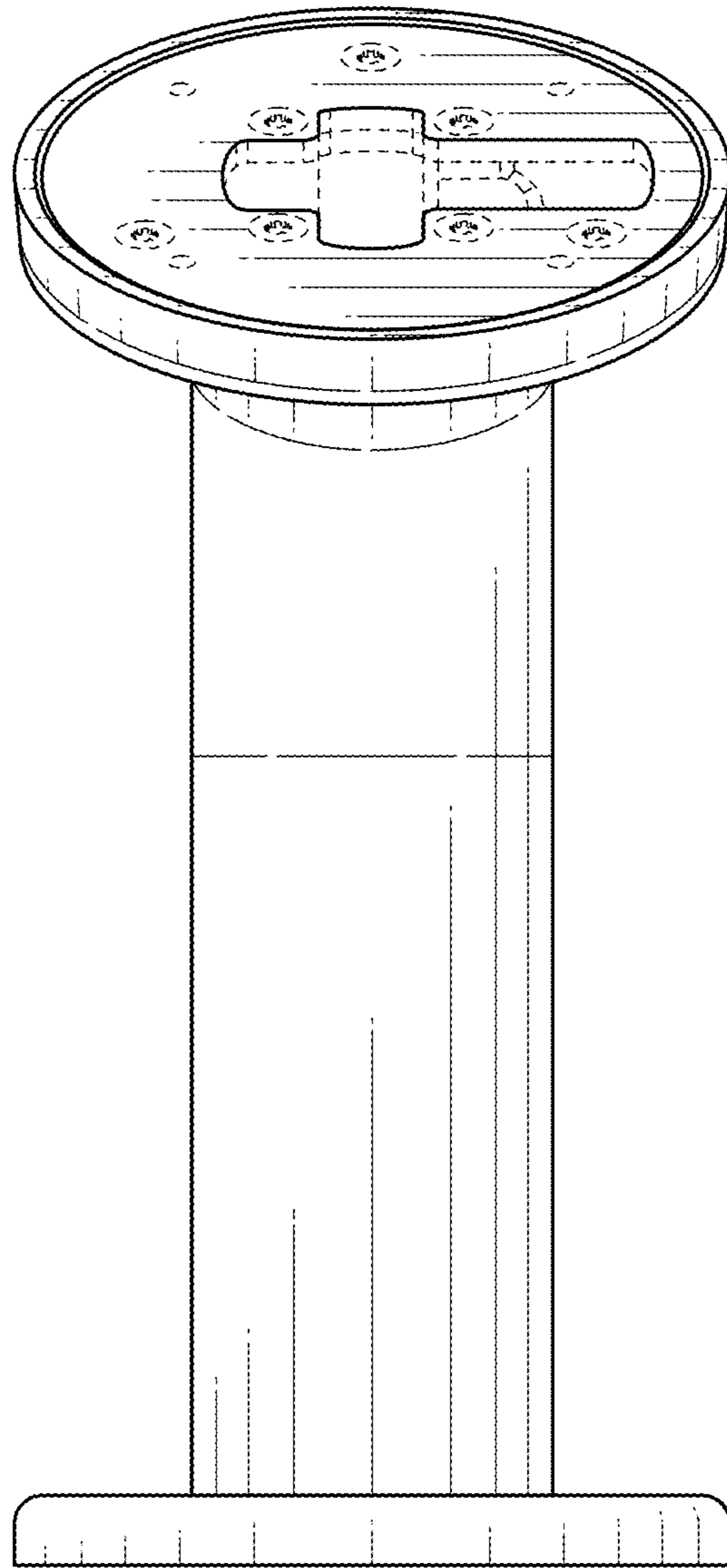


FIG. 3

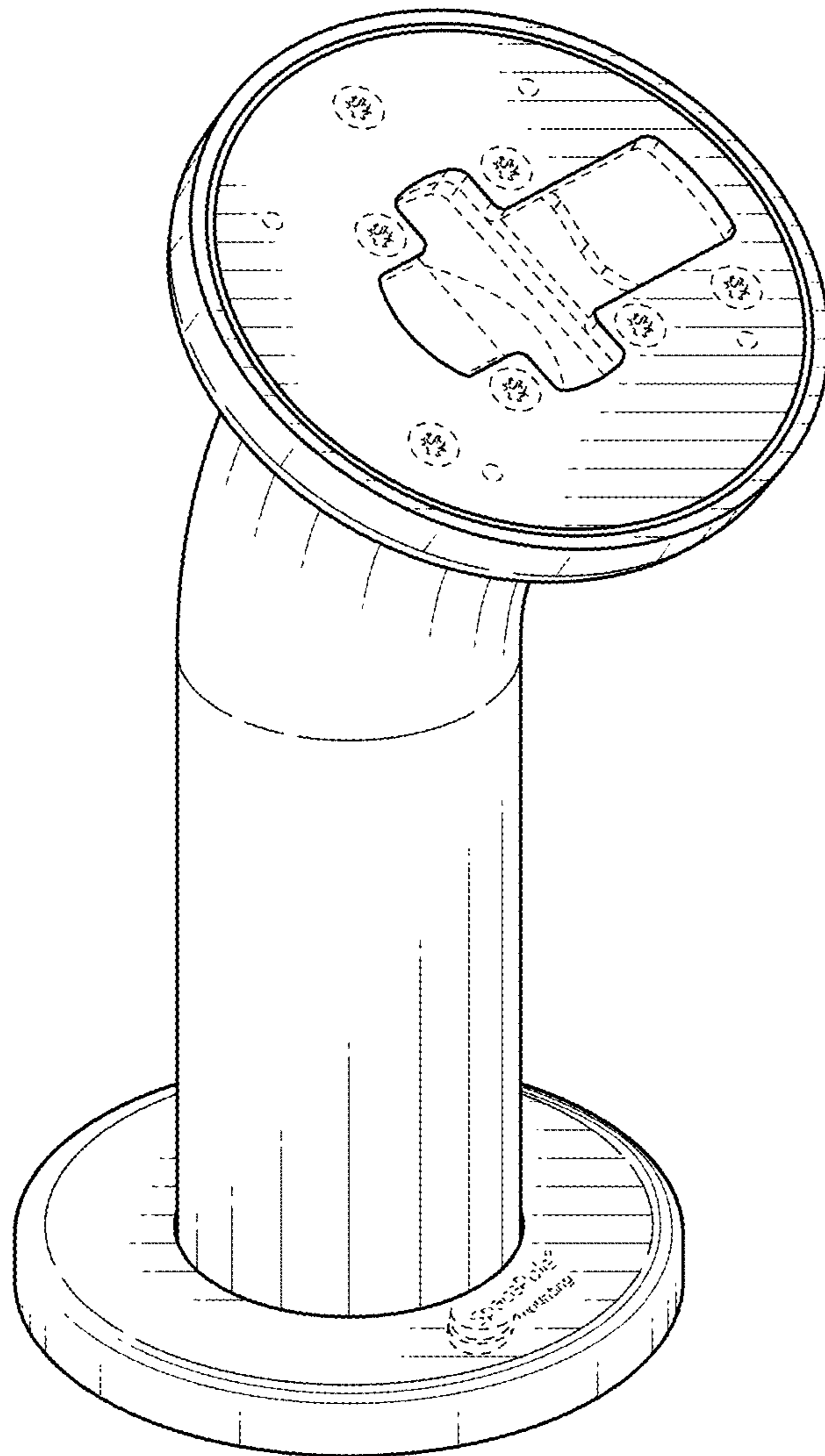


FIG. 4