



US00D900118S

(12) **United States Design Patent** (10) **Patent No.:** **US D900,118 S**  
**Barnard et al.** (45) **Date of Patent:** **\*\* Oct. 27, 2020**

(54) **INFORMATION HANDLING SYSTEM  
 DISPLAY STAND**

(71) Applicant: **Dell Products L.P.**, Round Rock, TX  
 (US)

(72) Inventors: **Chris Barnard**, Austin, TX (US);  
**Antonio Latto**, Austin, TX (US)

(73) Assignee: **Dell Products L.P.**, Round Rock, TX  
 (US)

(\*\*) Term: **15 Years**

(21) Appl. No.: **29/680,187**

(22) Filed: **Feb. 14, 2019**

(51) **LOC (12) Cl.** ..... **08-07**

(52) **U.S. Cl.**  
 USPC ..... **D14/447**

(58) **Field of Classification Search**  
 USPC ..... D14/447, 432, 434, 439, 440, 451, 452,  
 D14/457, 239, 253, 374, 375; D8/363,  
 D8/373, 380; D6/406.3, 406.4, 406.5,  
 D6/406.6; D12/415

CPC ..... A47B 21/04; A47B 2097/006; A47B  
 2097/005; A47B 2023/049; A45C  
 2011/002; A45C 2011/003; F16M  
 2200/00; F16M 13/00

See application file for complete search history.

(56) **References Cited**

**U.S. PATENT DOCUMENTS**

D491,952 S *	6/2004	Oddsens	.....	D14/447
D508,916 S *	8/2005	Lee	.....	D14/434
D549,232 S *	8/2007	Li	.....	D14/434
D588,141 S *	3/2009	Heggland	.....	D14/434
7,789,355 B2 *	9/2010	Gan	.....	F16M 11/105 248/157
D672,356 S *	12/2012	Quijano	.....	D14/447
D685,806 S *	7/2013	Kim	.....	D14/451
D714,794 S *	10/2014	Quijano	.....	D14/447

D750,077 S	2/2016	Lee et al.	
D750,627 S	3/2016	Lee et al.	
D760,724 S *	7/2016	Kang	..... D14/447
D787,522 S *	5/2017	Lee	..... D14/451
D821,395 S	6/2018	Thetard et al.	
D837,223 S	1/2019	Wu et al.	
D855,619 S *	8/2019	Latto	..... D14/447
2007/0045488 A1 *	3/2007	Shin	..... F16M 11/105 248/176.1
2008/0210841 A1 *	9/2008	Tseng	..... F16M 11/046 248/422

**OTHER PUBLICATIONS**

Design U.S. Appl. No. 29/601,569, filed Apr. 24, 2017, entitled  
 "Display Device".

\* cited by examiner

*Primary Examiner* — Angela J Lee  
 (74) *Attorney, Agent, or Firm* — Zagorin Cave LLP;  
 Robert W. Holland

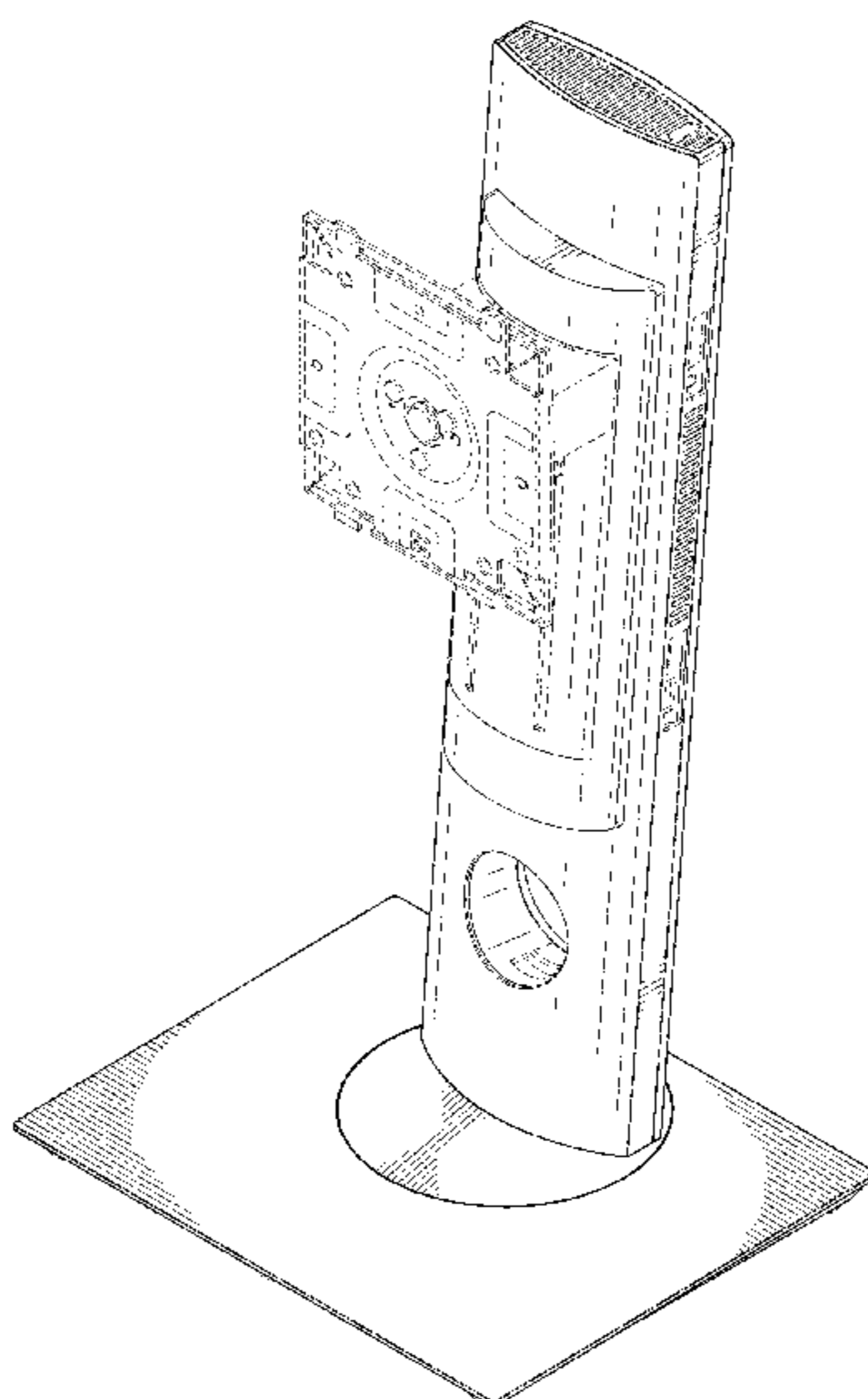
(57) **CLAIM**

We claim the ornamental design for an information handling  
 system display stand, as shown and described.

**DESCRIPTION**

FIG. 1 is a front perspective view of the information  
 handling system display stand comprising the present inven-  
 tion;  
 FIG. 2 is a front elevation view thereof;  
 FIG. 3 is a rear elevation view thereof;  
 FIG. 4 is a right side view thereof;  
 FIG. 5 is a left side view thereof;  
 FIG. 6 is a top view thereof; and  
 FIG. 7 is a bottom view thereof; and,  
 FIG. 8 is a rear perspective environmental view thereof.  
 Broken lines shown in the drawings illustrate portions of the  
 information handling system display stand, and form no part  
 of the claimed design.

**1 Claim, 8 Drawing Sheets**



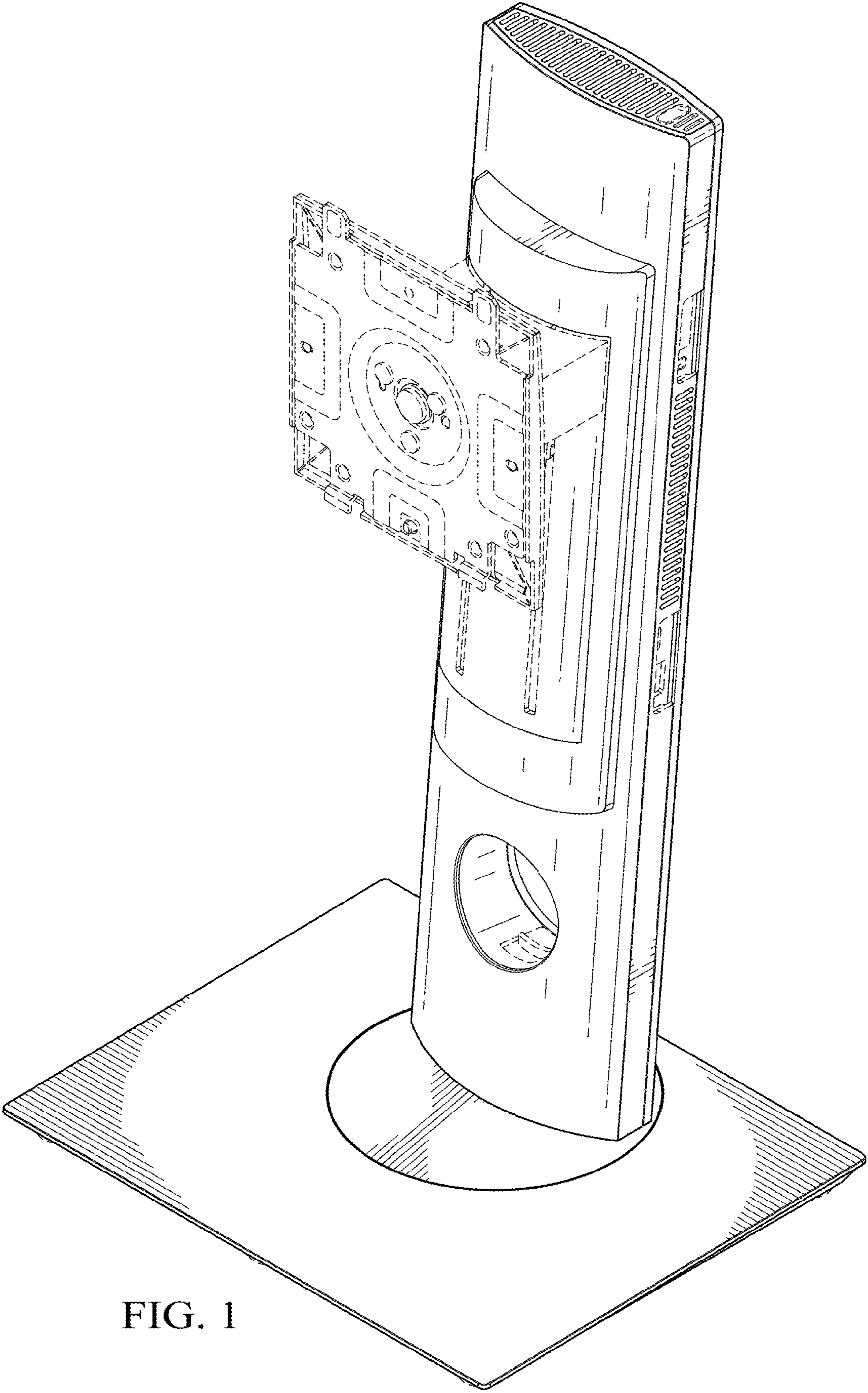


FIG. 1

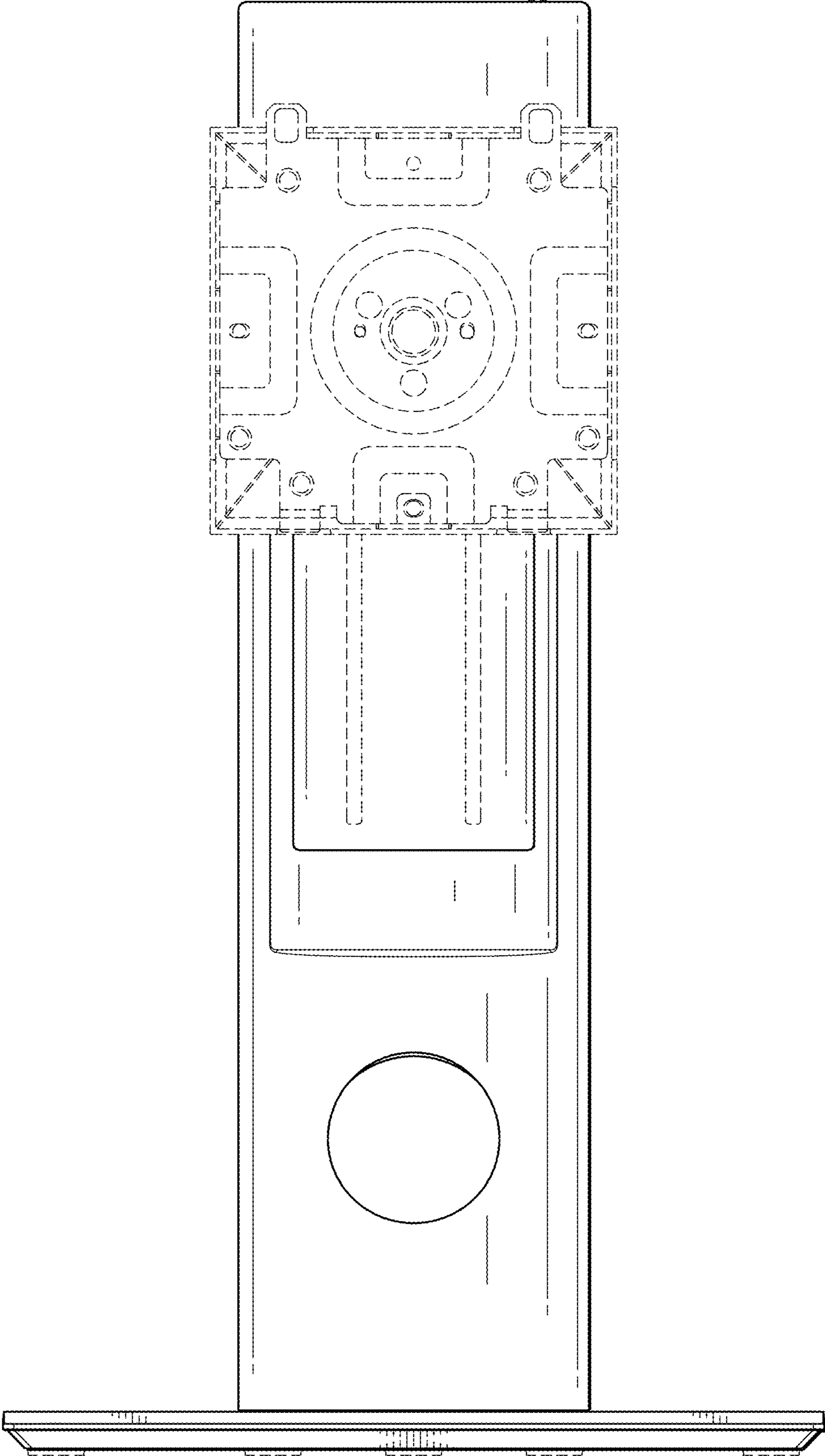


FIG. 2

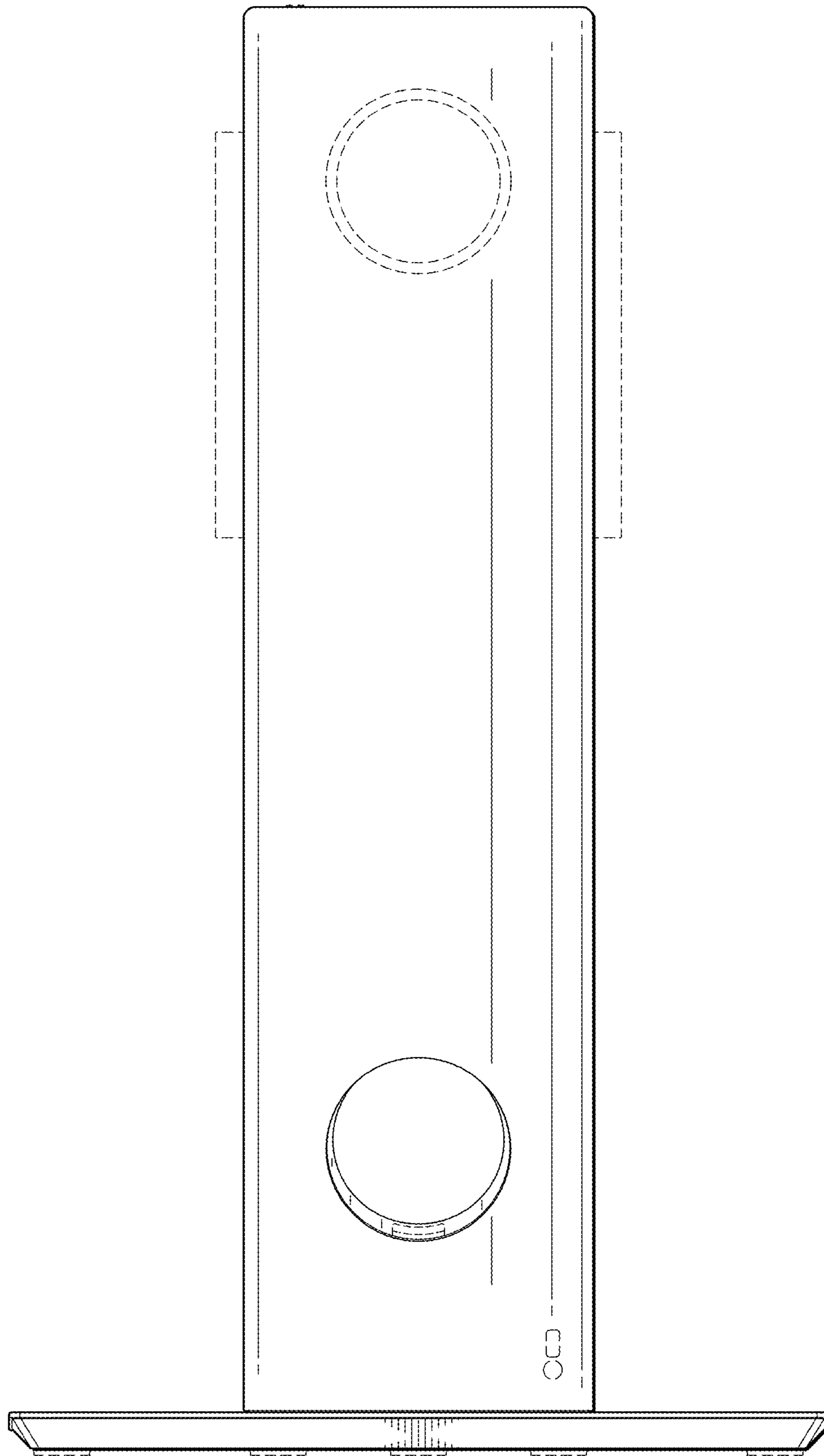


FIG. 3



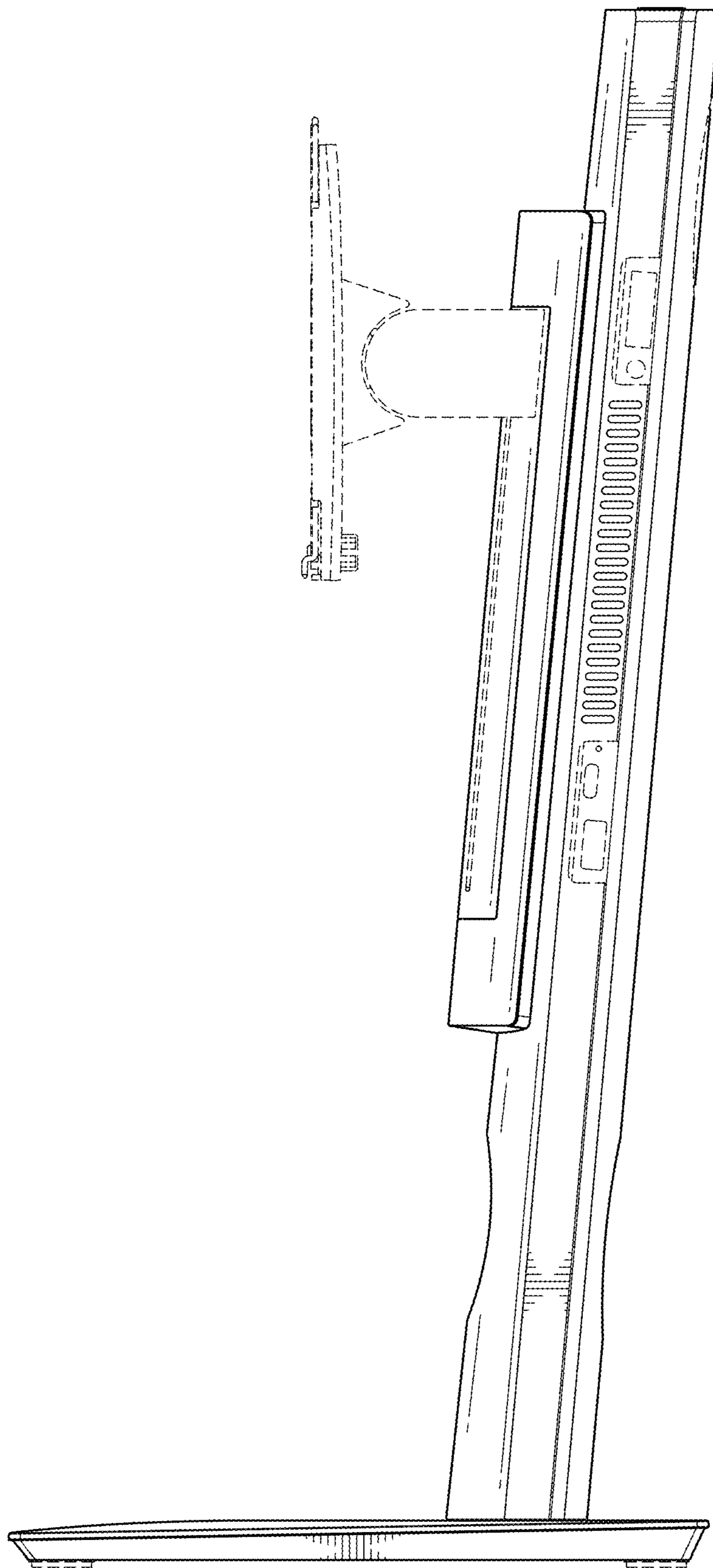


FIG. 4

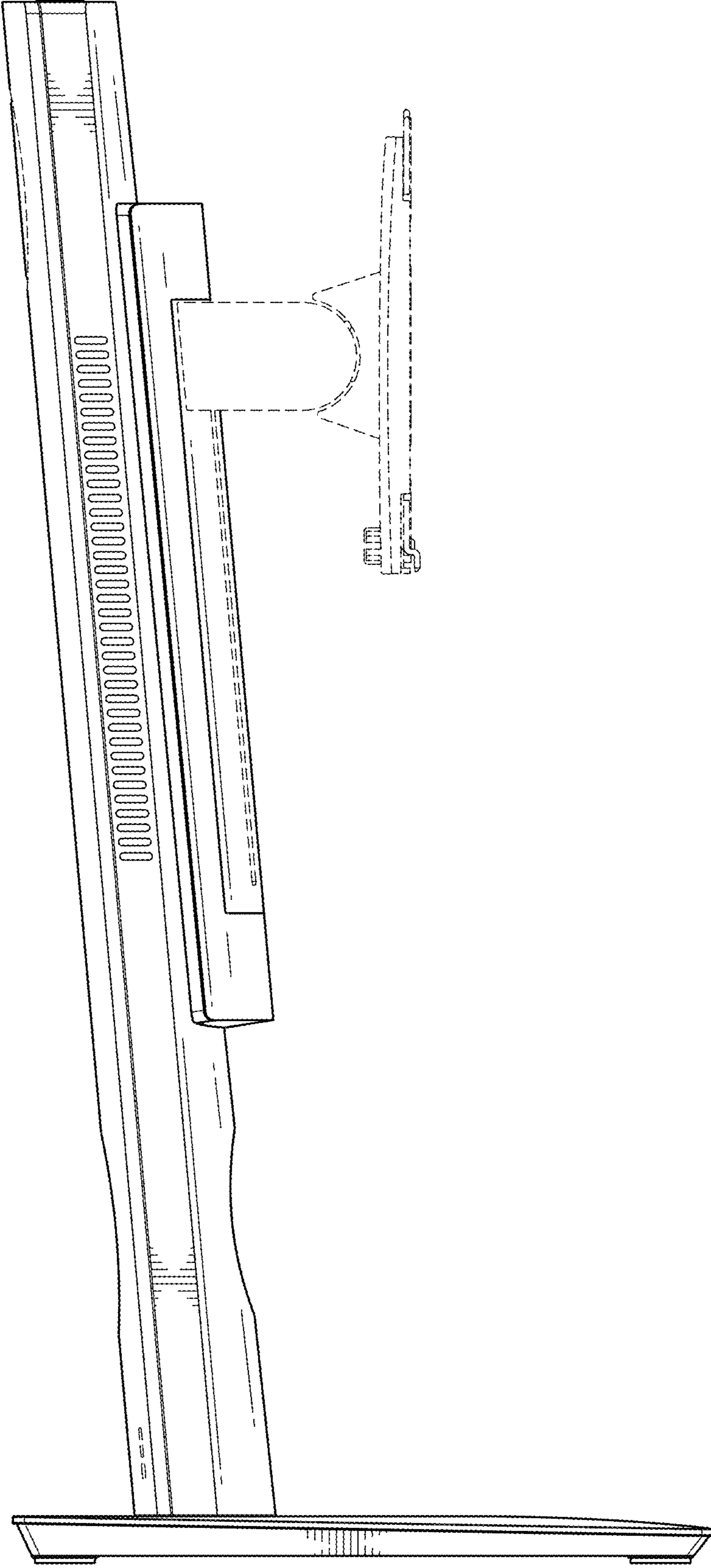


FIG. 5

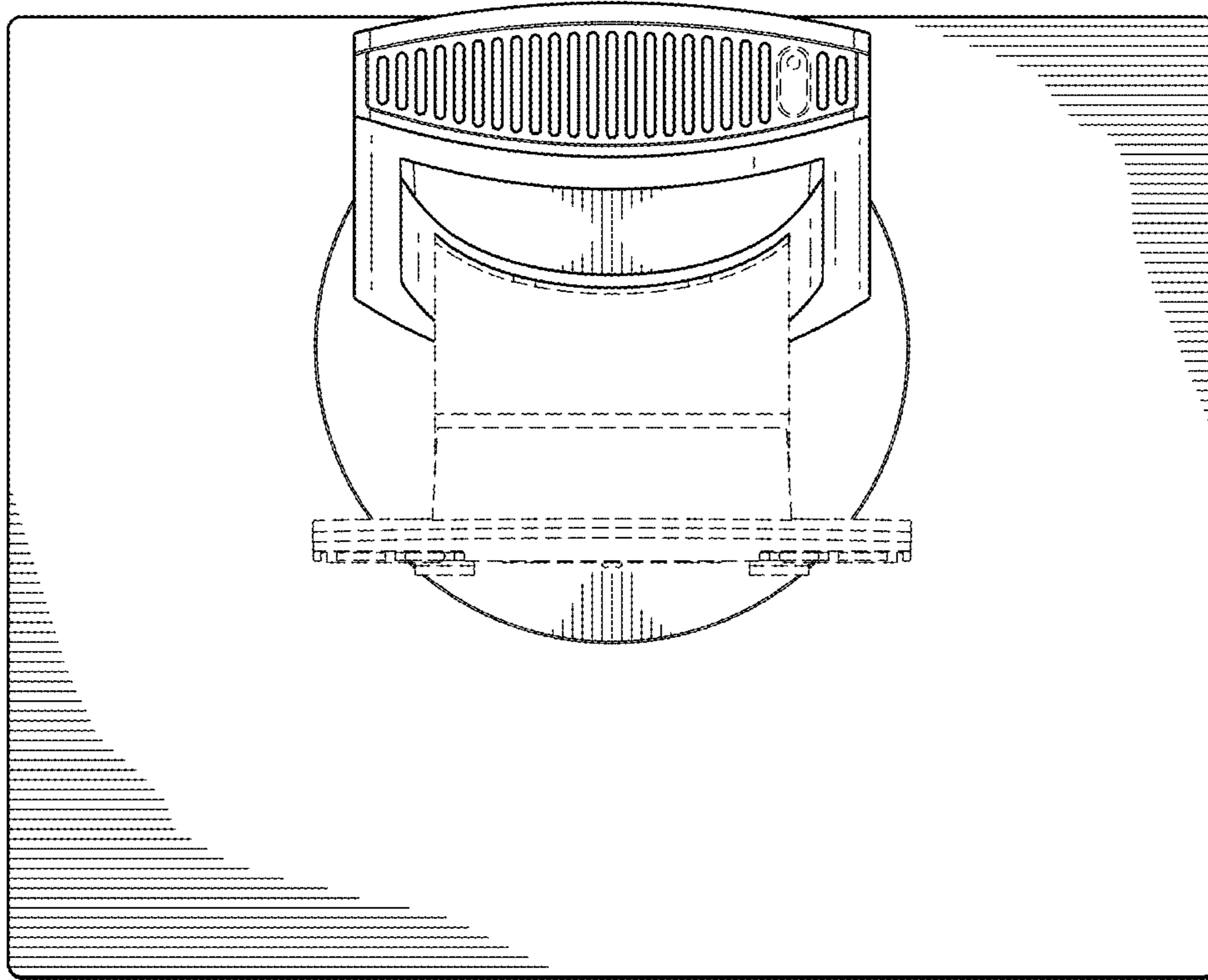


FIG. 6

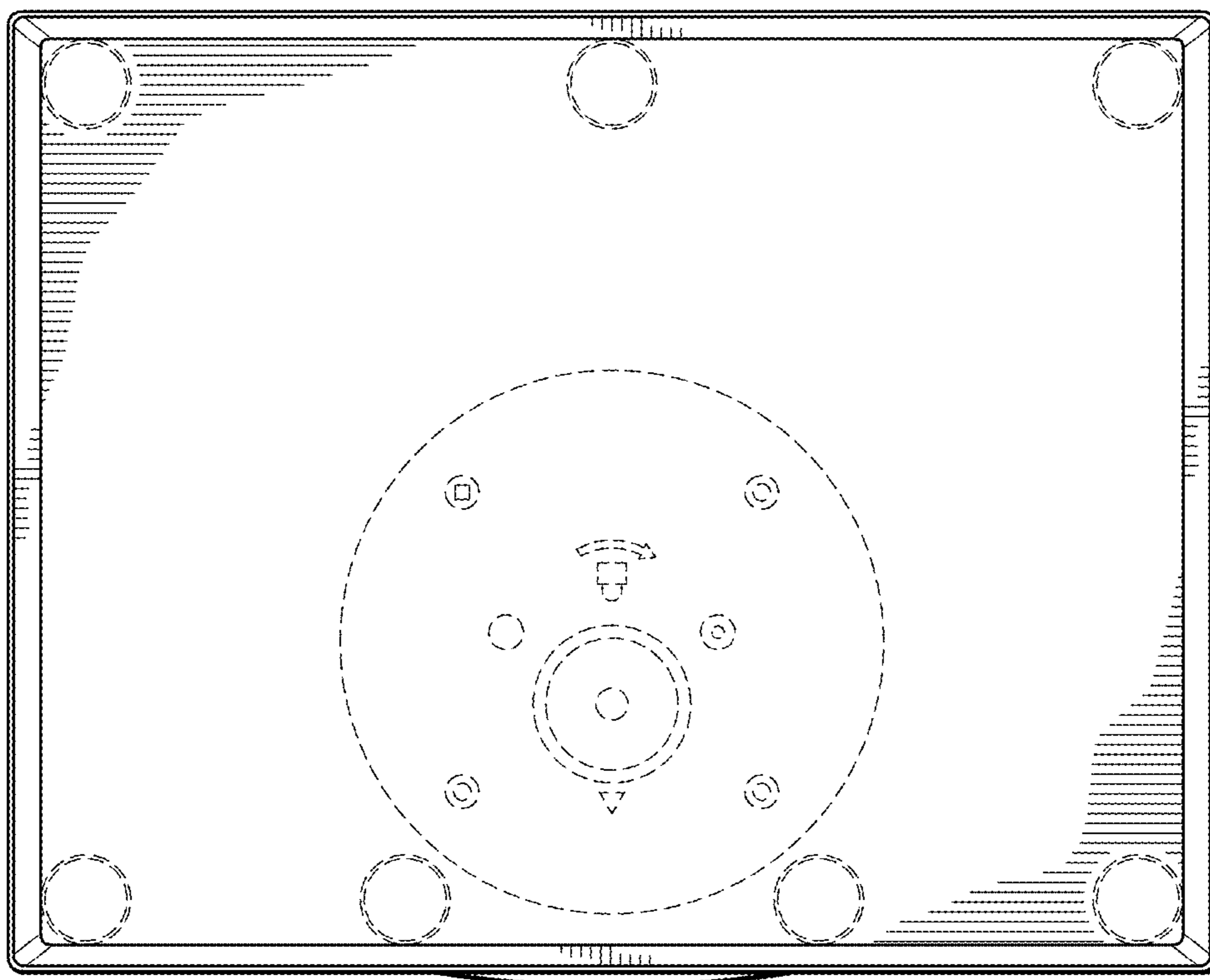


FIG. 7



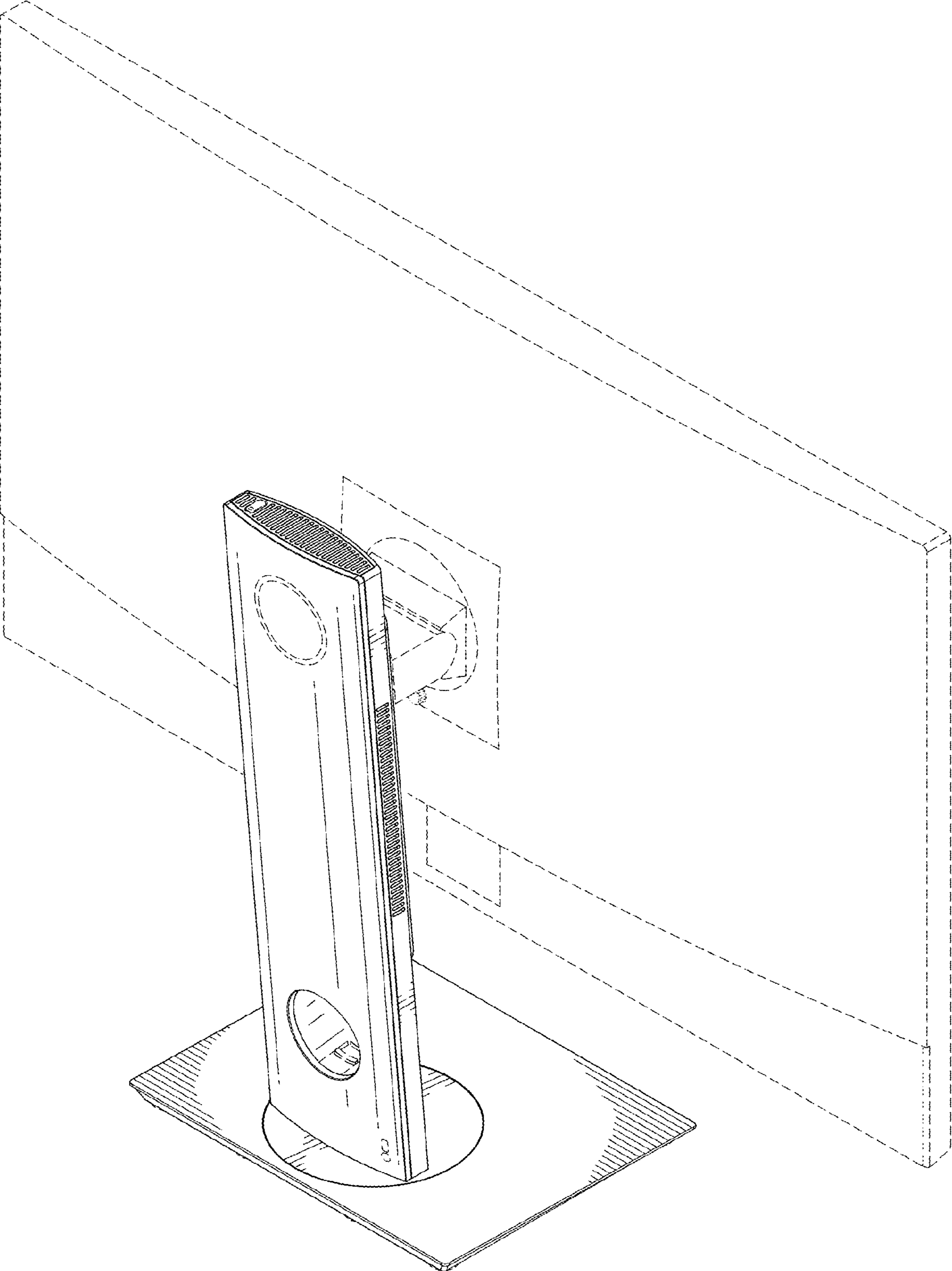


FIG. 8