



US00D900117S

(12) **United States Design Patent** (10) **Patent No.:** **US D900,117 S**
Soto (45) **Date of Patent:** **** Oct. 27, 2020**

(54) **LAPTOP PLATFORM**
(71) Applicant: **Mark Christian Soto**, Little Neck, NY (US)
(72) Inventor: **Mark Christian Soto**, Little Neck, NY (US)
(**) Term: **15 Years**
(21) Appl. No.: **29/630,798**
(22) Filed: **Dec. 22, 2017**
(51) **LOC (12) Cl.** **08-07**
(52) **U.S. Cl.**
USPC **D14/447**
(58) **Field of Classification Search**
USPC D14/447, 432, 434, 439, 440, 451, 452, D14/457, 239, 253; D8/363, 373, 380; D6/406.3, 406.4, 406.5, 406.6; D12/415; D21/330, 331
CPC A47B 21/04; A47B 2097/006; A47B 2097/005; A47B 2023/049; A45C 2011/002; A45C 2011/003; F16M 2200/00; F16M 13/00
See application file for complete search history.

D661,308 S * 6/2012 Capozzoli, II D14/447
D688,671 S * 8/2013 Avganim D14/447
D721,710 S * 1/2015 Messing D14/447
D767,575 S * 9/2016 Green D14/447
D834,029 S * 11/2018 Wengreen D14/447

* cited by examiner
Primary Examiner — Angela J Lee
(74) *Attorney, Agent, or Firm* — Dunlap Bennett & Ludwig, PLLC

(57) **CLAIM**

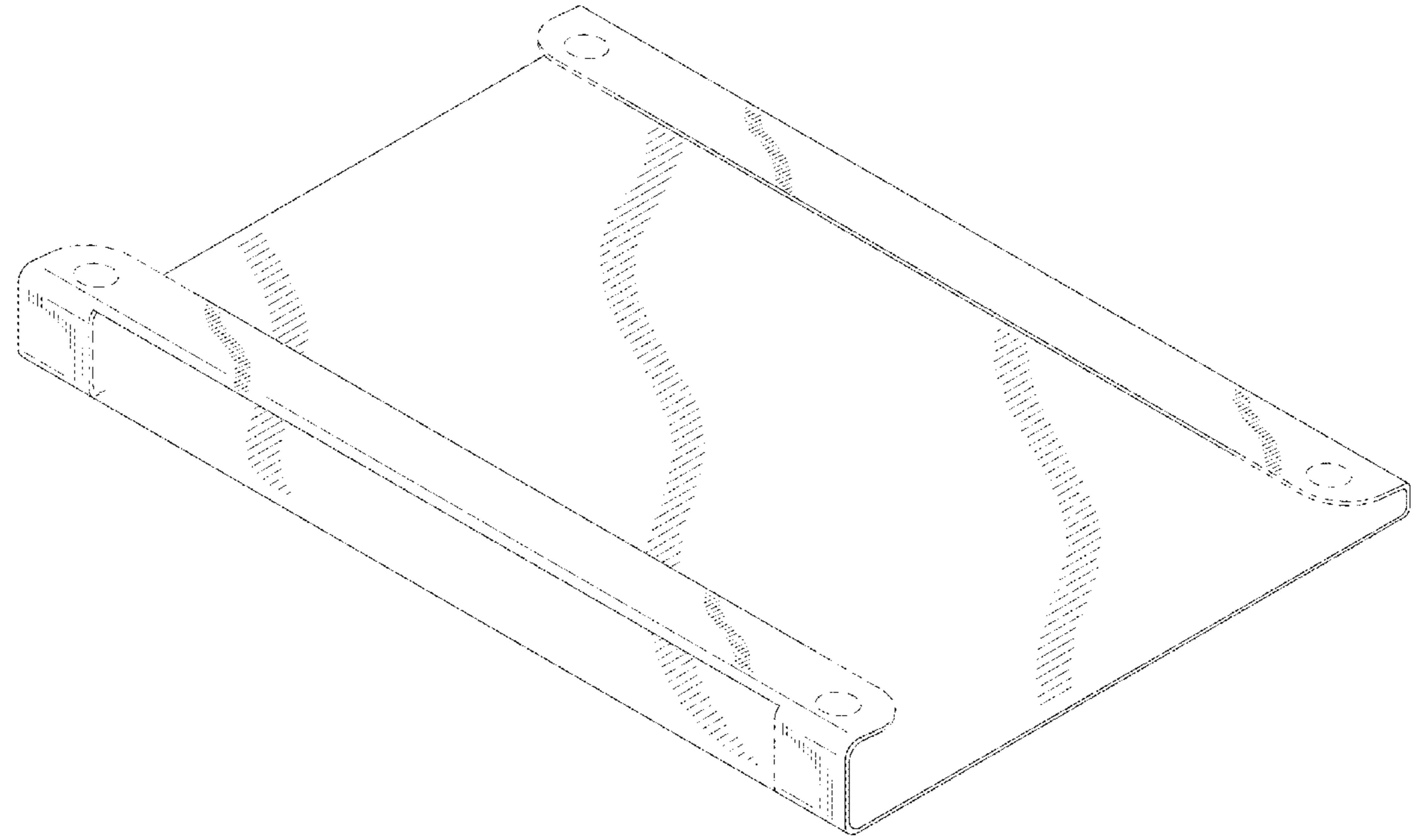
The ornamental design for a laptop platform, as shown and described.

DESCRIPTION

FIG. 1 is a perspective view of a first embodiment of a laptop platform;
FIG. 2 is a top elevation view of FIG. 1;
FIG. 3 is a front elevation view of FIG. 1;
FIG. 4 is a left side elevation view of FIG. 1, the right side elevation view being a mirror image thereof;
FIG. 5 is a rear elevation view of FIG. 1;
FIG. 6 is a bottom elevation view of FIG. 1;
FIG. 7 is a perspective view of a second embodiment of a laptop platform;
FIG. 8 is a top elevation view of FIG. 7;
FIG. 9 is a front elevation view of FIG. 7;
FIG. 10 is a left side elevation view of FIG. 7, the right side elevation view being a mirror image thereof;
FIG. 11 is a rear elevation view of FIG. 7; and
FIG. 12 is a bottom elevation view of FIG. 7.
The broken lines shown in the drawings depict portions of corners of the laptop platform and wire openings of the laptop platform that form no part of the claimed invention.

(56) **References Cited**
U.S. PATENT DOCUMENTS
4,624,433 A * 11/1986 Henneberg F16M 11/10 248/346.06
D370,220 S * 5/1996 Hardman D14/189
D414,166 S * 9/1999 De Paris D14/447
D427,573 S * 7/2000 Wiggins D14/457
D529,915 S * 10/2006 Scicluna D14/439
D555,655 S * 11/2007 Iu
D579,455 S * 10/2008 Chu D14/447
D598,024 S * 8/2009 Scott D14/432
D620,942 S * 8/2010 Huang D14/447

1 Claim, 8 Drawing Sheets



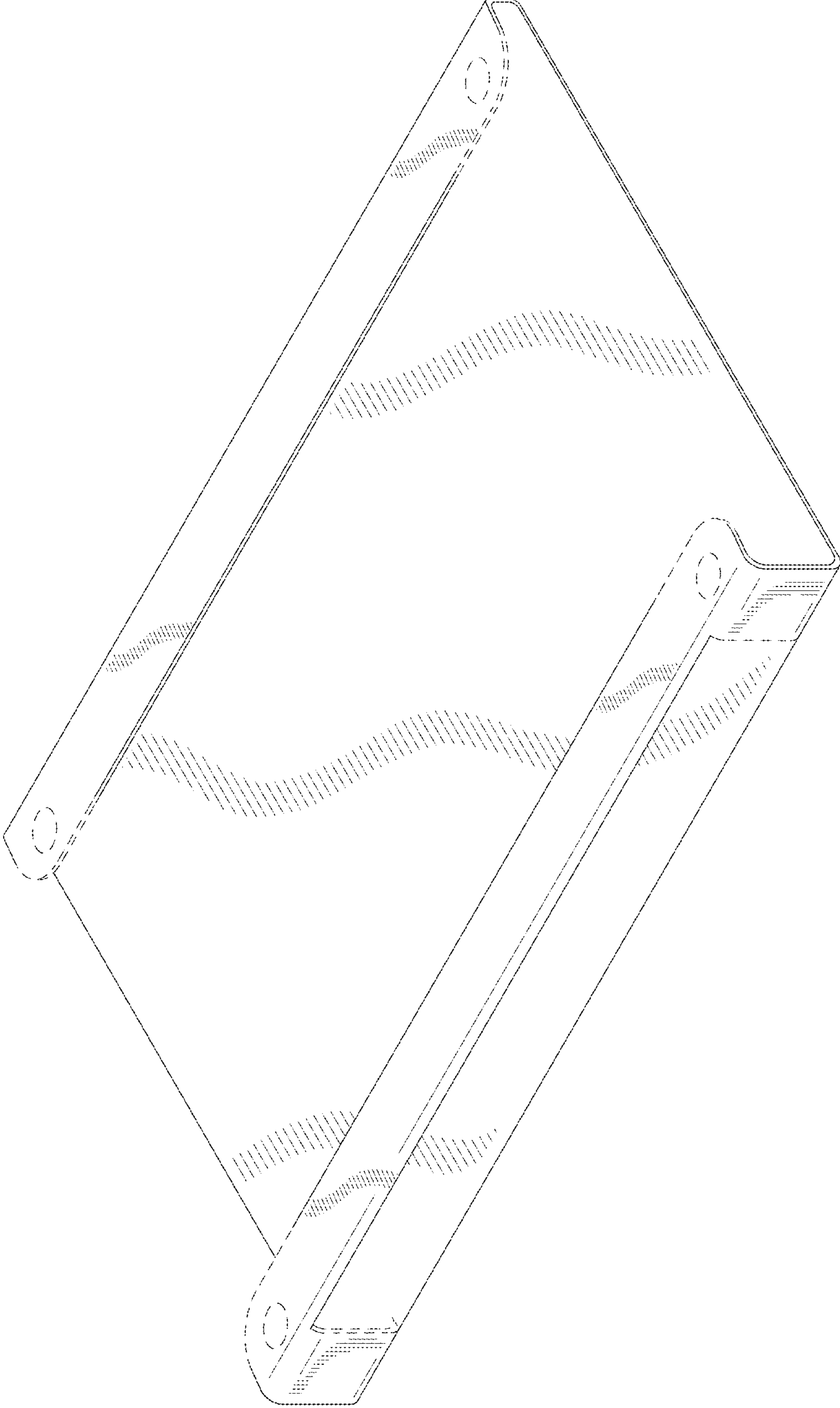


FIG.1

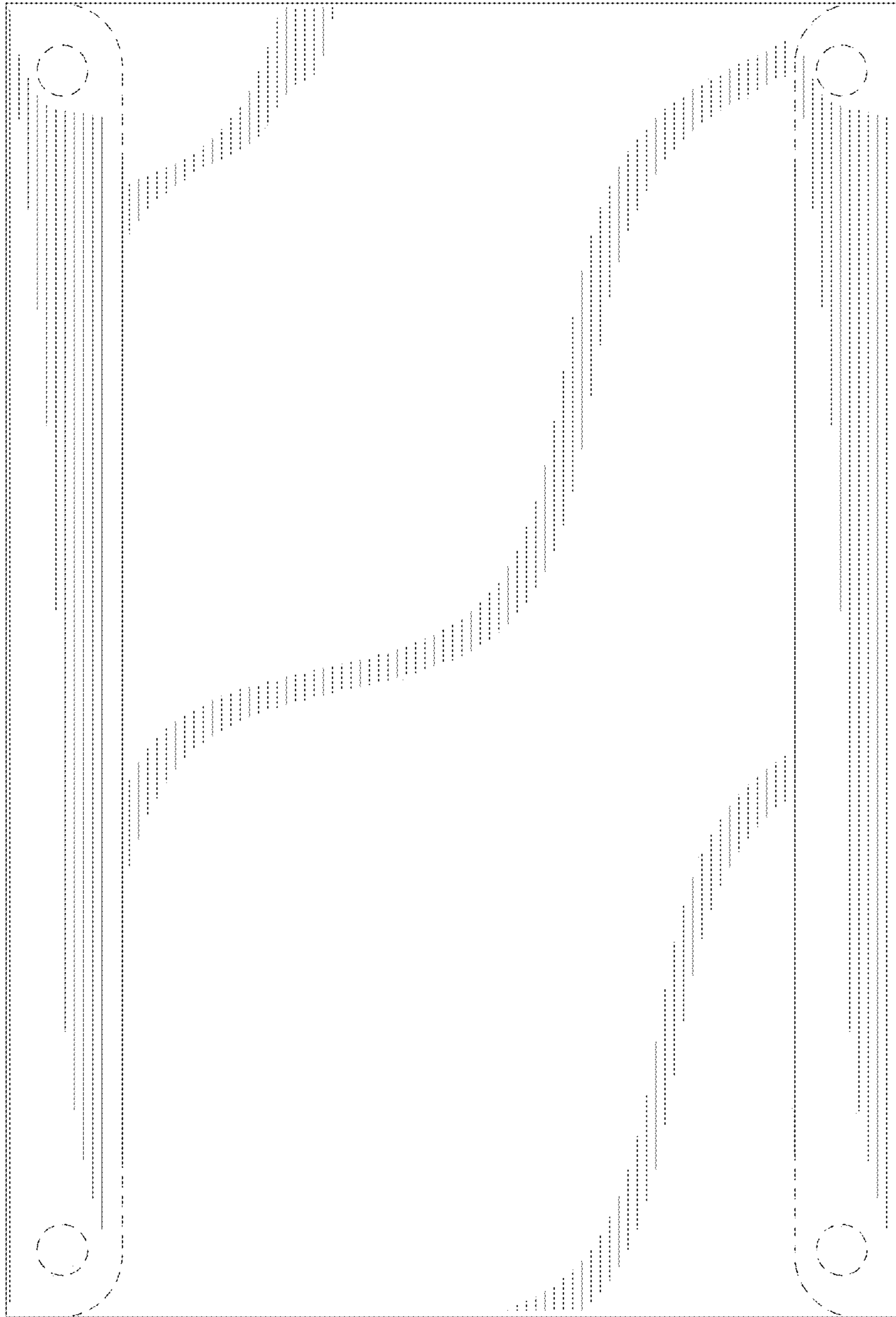


FIG. 2

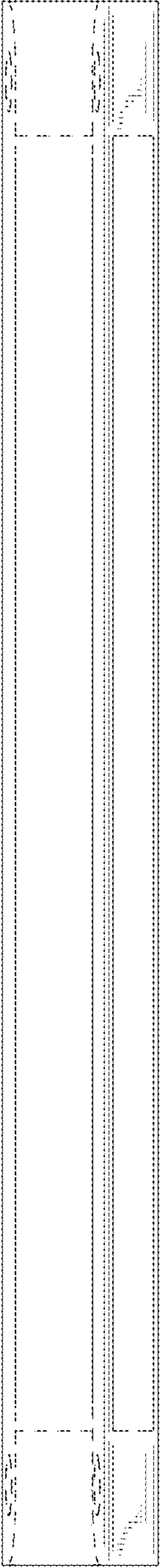


FIG. 3

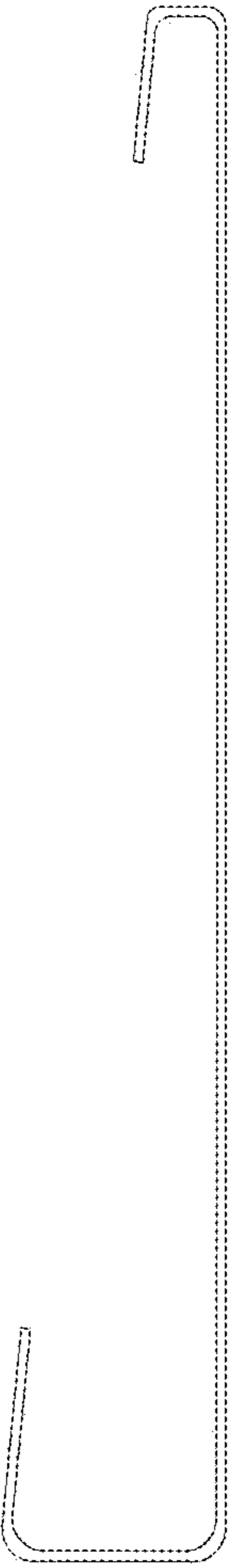


FIG. 4

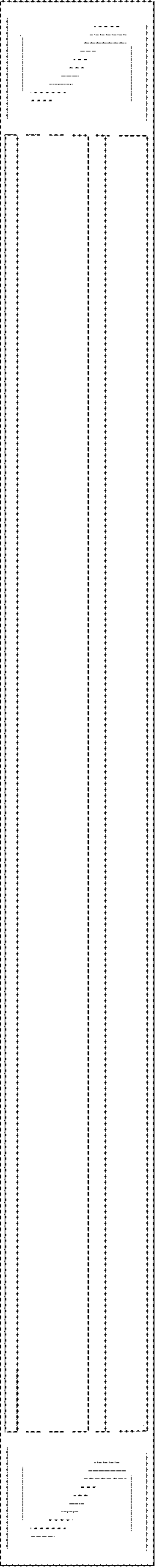


FIG. 5

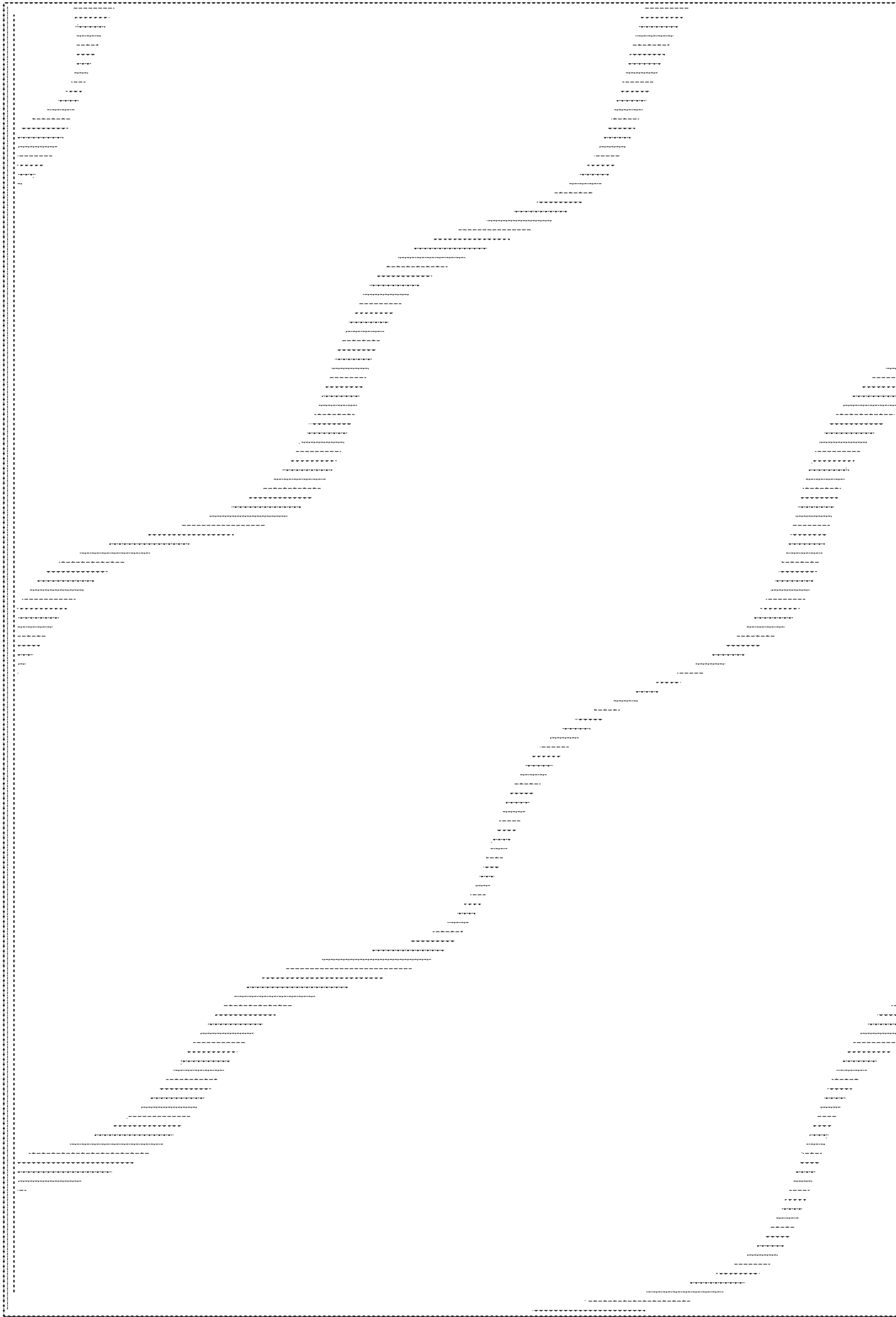


FIG. 6

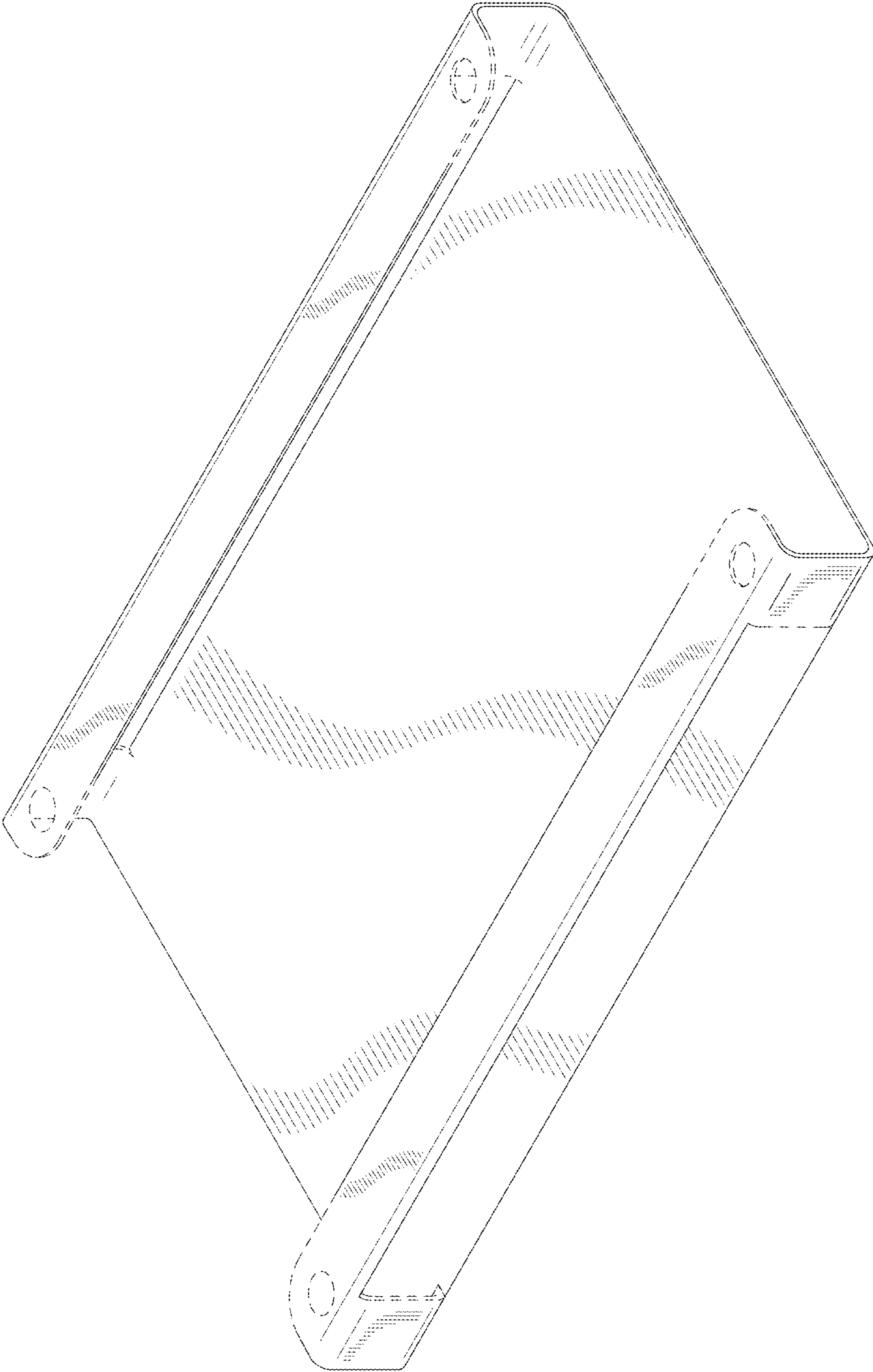


FIG. 7

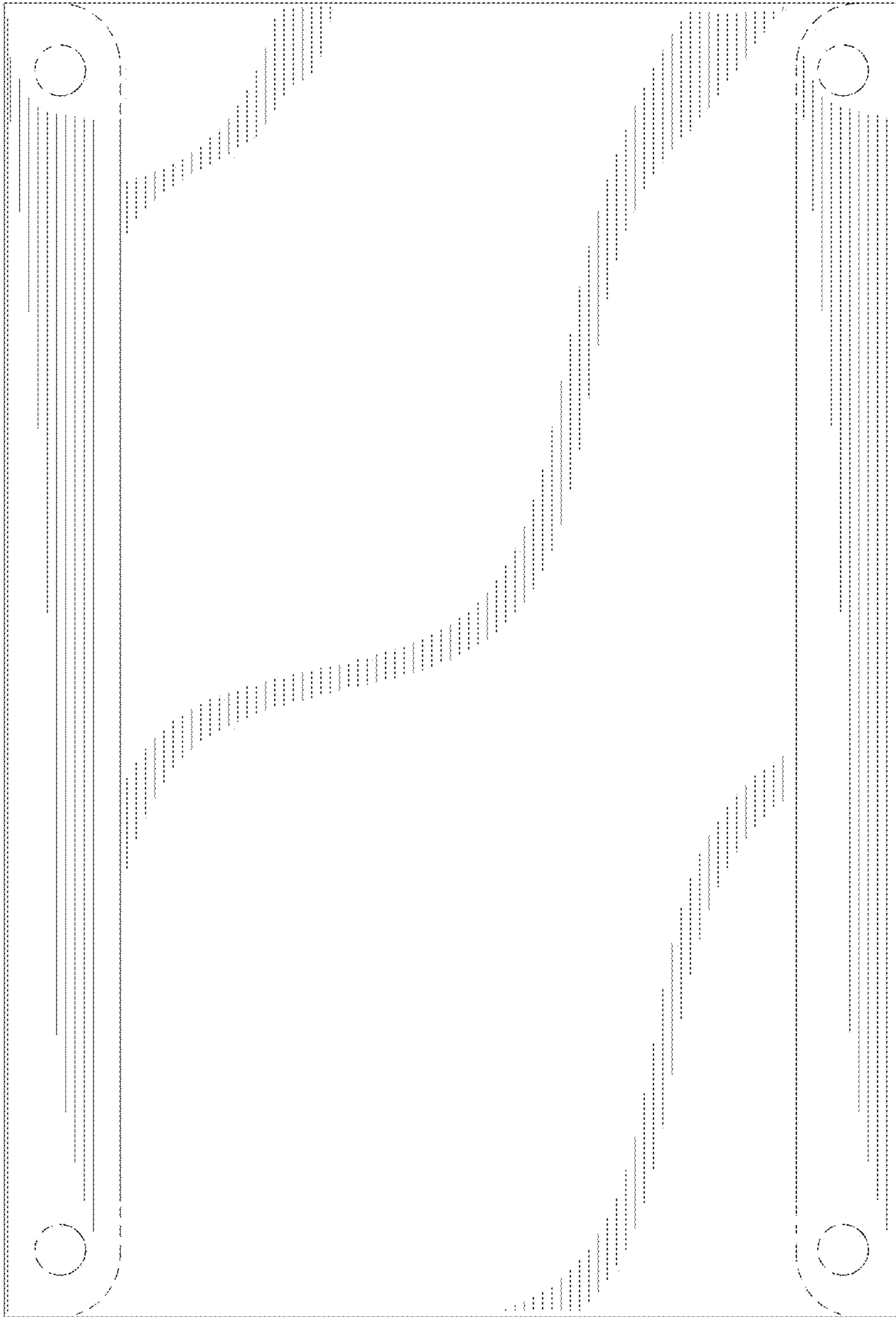


FIG. 8

FIG. 9

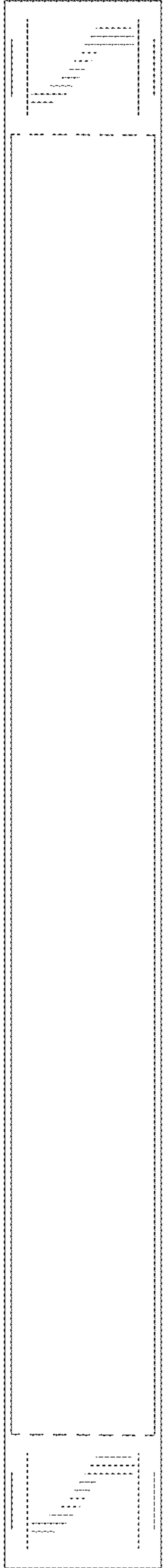
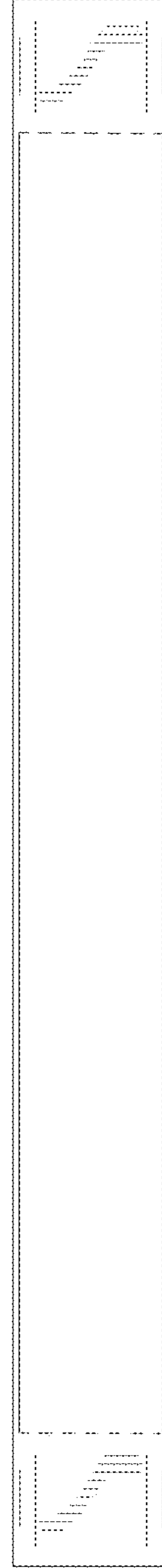


FIG. 10



FIG. 11



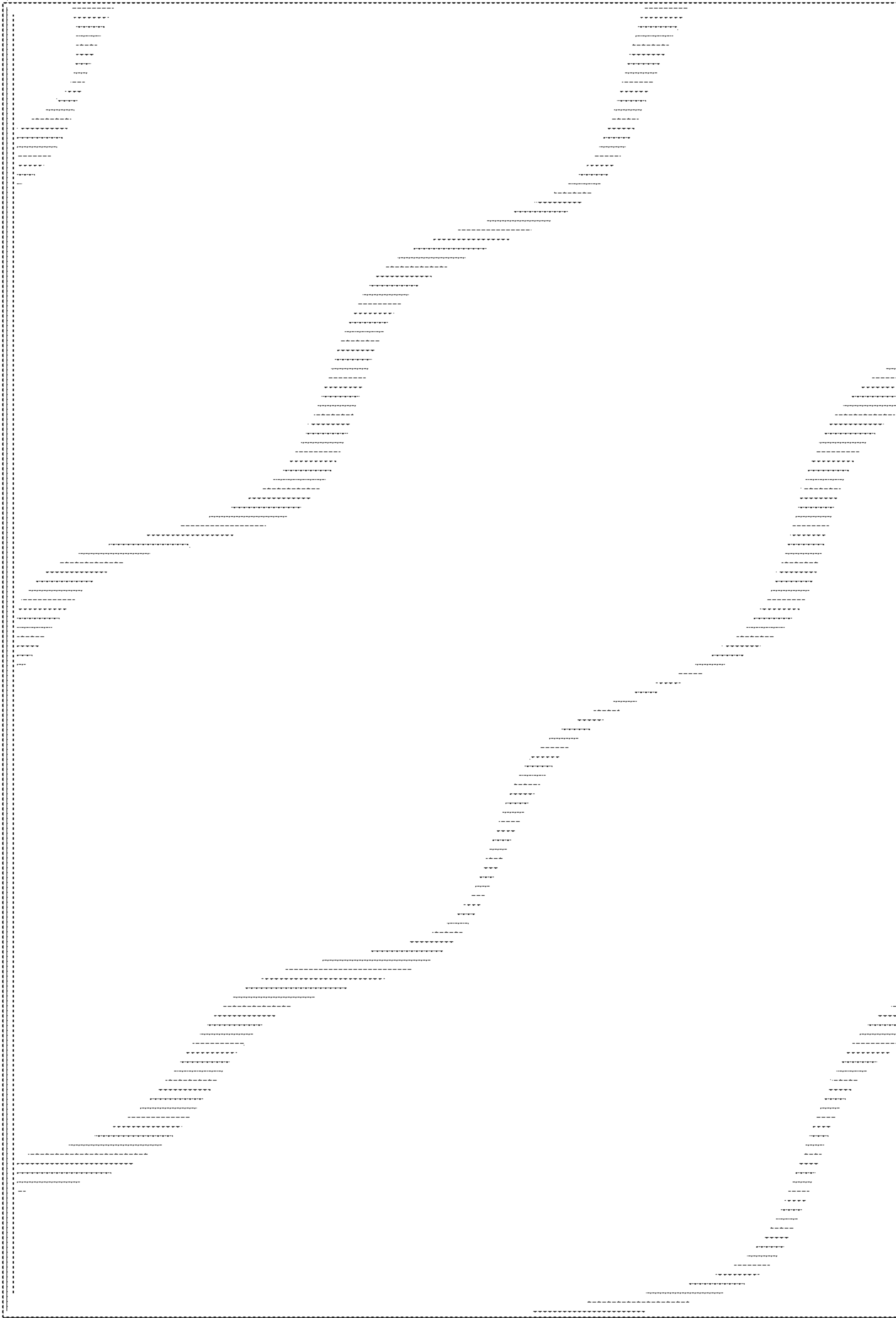


FIG.12