



US00D900116S

(12) **United States Design Patent**
Chung-Tser et al.

(10) **Patent No.:** **US D900,116 S**

(45) **Date of Patent:** **** Oct. 27, 2020**

(54) **COVER**

(71) Applicants: **LIVEWIRE ASIA PACIFIC CO., LTD.**, Taipei (TW); **SIMPLY45 LLC**, Dania Beach, FL (US)

(72) Inventors: **Wu Chung-Tser**, Taipei (TW); **Andrew Restivo**, Dania Beach, FL (US)

(73) Assignees: **LIVEWIRE ASIA PACIFIC CO., LTD.**, Taipei (TW); **SIMPLY45 LLC**, Dania Beach, FL (US)

(**) Term: **15 Years**

(21) Appl. No.: **29/704,471**

(22) Filed: **Sep. 5, 2019**

(51) **LOC (12) Cl.** **14-02**

(52) **U.S. Cl.**
USPC **D14/440**

(58) **Field of Classification Search**
USPC D14/440, 447, 250, 441, 444; 206/45.23, 206/320, 45.2; 361/679.55; 294/25; 224/218; D8/356
CPC G06F 1/1628; G06F 1/1626; G06F 1/669; A47B 23/044; H04B 1/3888
See application file for complete search history.

(56) **References Cited**

U.S. PATENT DOCUMENTS

6,452,597	B1 *	9/2002	Goldberg	G09G 5/00	340/7.55
D553,120	S *	10/2007	Yano	D13/110	
D687,010	S *	7/2013	McManigal	D14/188	
D740,106	S *	10/2015	Cooper	D8/356	
D752,591	S *	3/2016	Ozolins	D14/434	
D791,774	S *	7/2017	Wilcox	D14/444	
D815,101	S *	4/2018	Gothmann	D14/444	
D815,102	S *	4/2018	Gothmann	D14/444	

D815,103	S *	4/2018	Gothmann	D14/444	
D817,963	S *	5/2018	Ravat	D14/444	
D837,279	S *	1/2019	Penn	D16/237	
D851,067	S *	6/2019	McManigal	D14/210	
D854,516	S *	7/2019	Usuru	D14/214	
10,463,126	B2 *	11/2019	Mallory	A45F 5/00	
D873,833	S *	1/2020	Leimer	D14/440	
D886,181	S *	6/2020	Lu	D16/237	
D893,455	S *	8/2020	Winton	D14/212	
D893,493	S *	8/2020	Akana	D14/439	
D894,149	S *	8/2020	Li	D14/172	
D894,481	S *	8/2020	Gould	D27/162	
10,754,103	B2 *	8/2020	Leigh	G02B 6/3825	
2017/0229890	A1 *	8/2017	Lu	H02J 7/0042	
2017/0329206	A1 *	11/2017	Gustaveson, II	G03B 11/041	

* cited by examiner

Primary Examiner — Cynthia R Underwood

(74) *Attorney, Agent, or Firm* — Thomas | Horstemeyer LLP

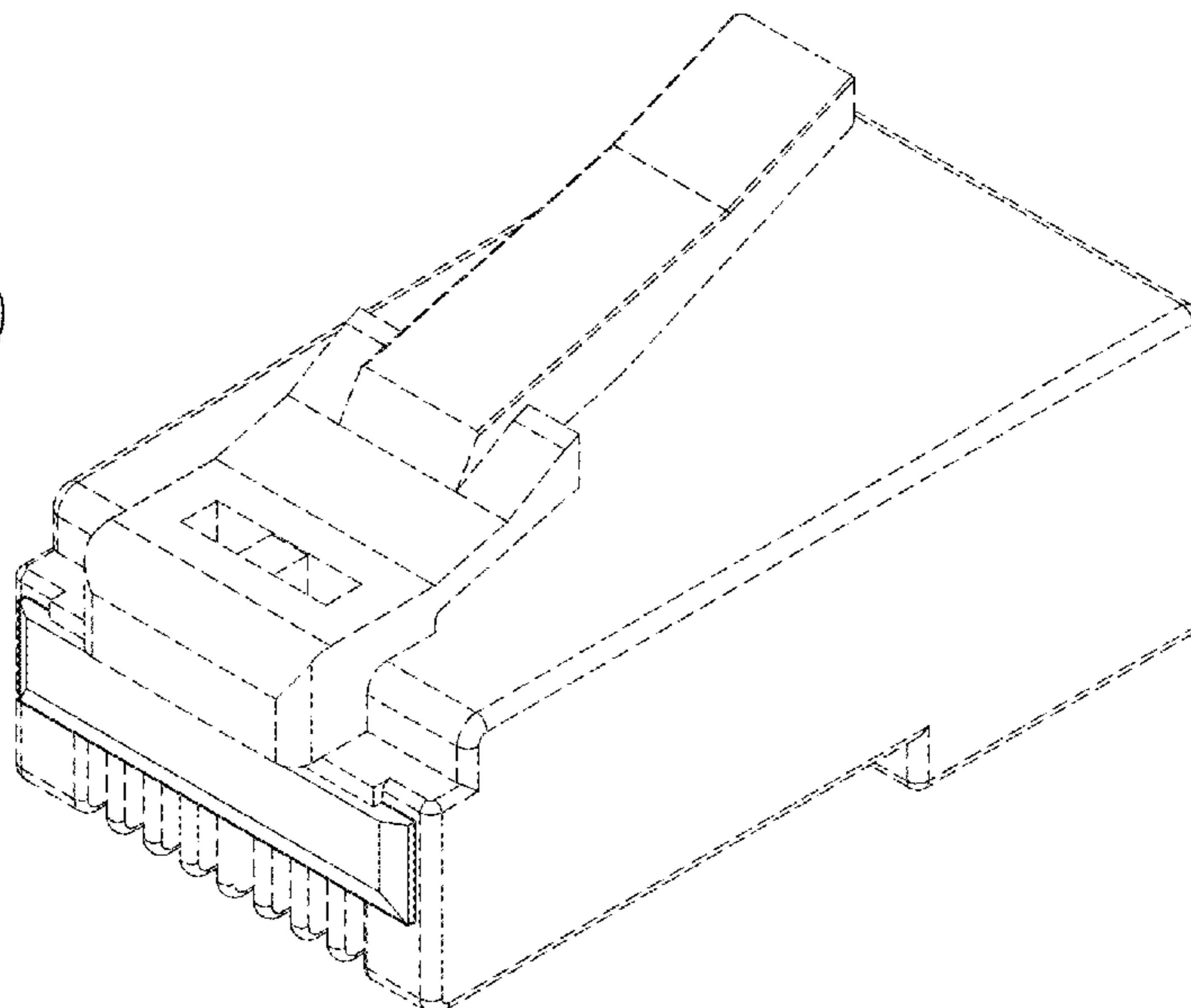
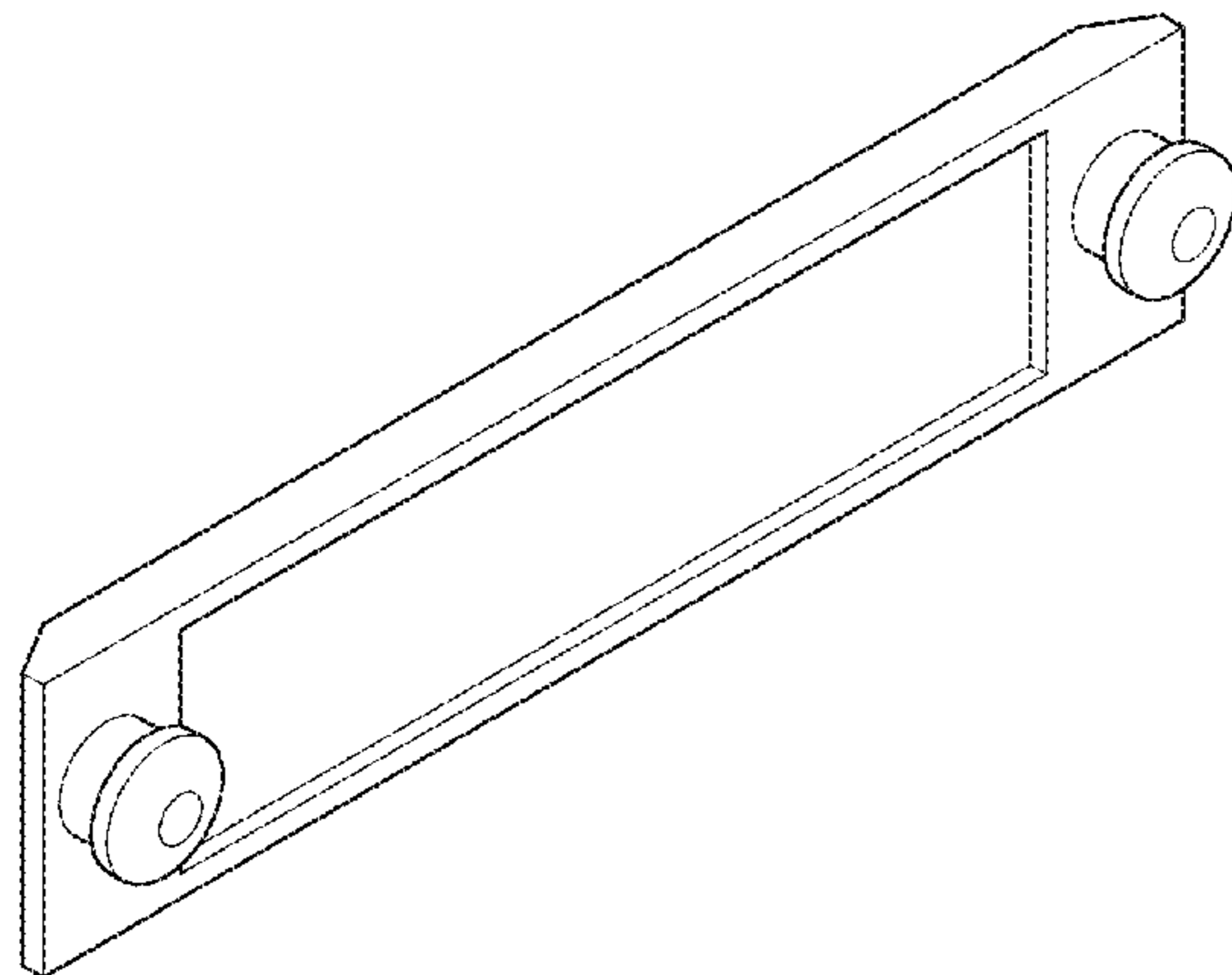
(57) **CLAIM**

The ornamental design for a cover, as shown and described.

DESCRIPTION

FIG. 1 is a front perspective view of a cover showing the new design;
FIG. 2 is a front view thereof;
FIG. 3 is a rear view thereof;
FIG. 4 is a first side view thereof;
FIG. 5 is a second side view thereof;
FIG. 6 is a top view thereof;
FIG. 7 is a bottom view thereof;
FIG. 8 is a rear perspective view thereof; and,
FIG. 9 is a front perspective view thereof showing the cover on a network connector device.
The broken line showing of the network connector device in FIG. 9 illustrates portions of the network connector device that do not form any part of the claimed design.

1 Claim, 6 Drawing Sheets



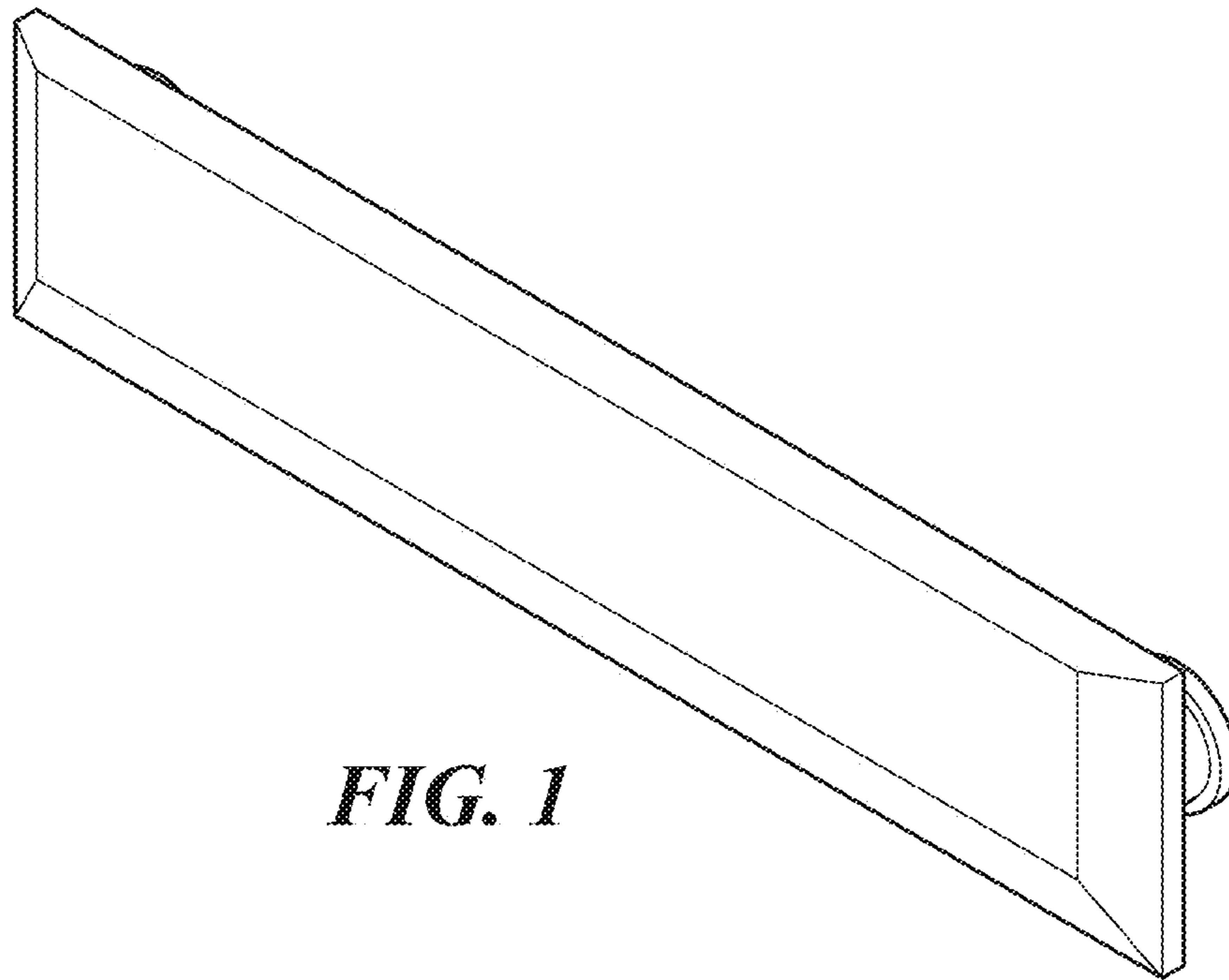


FIG. 1

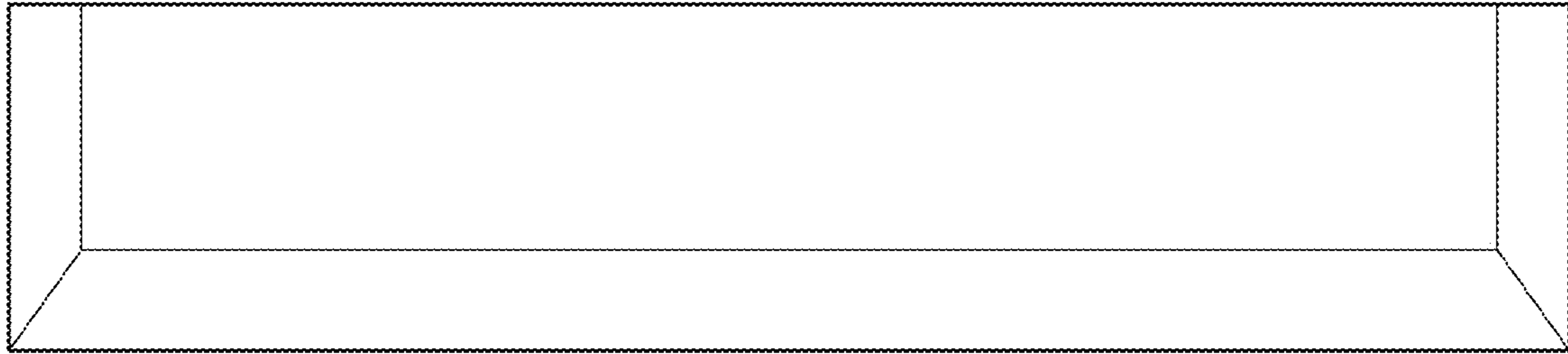


FIG. 2

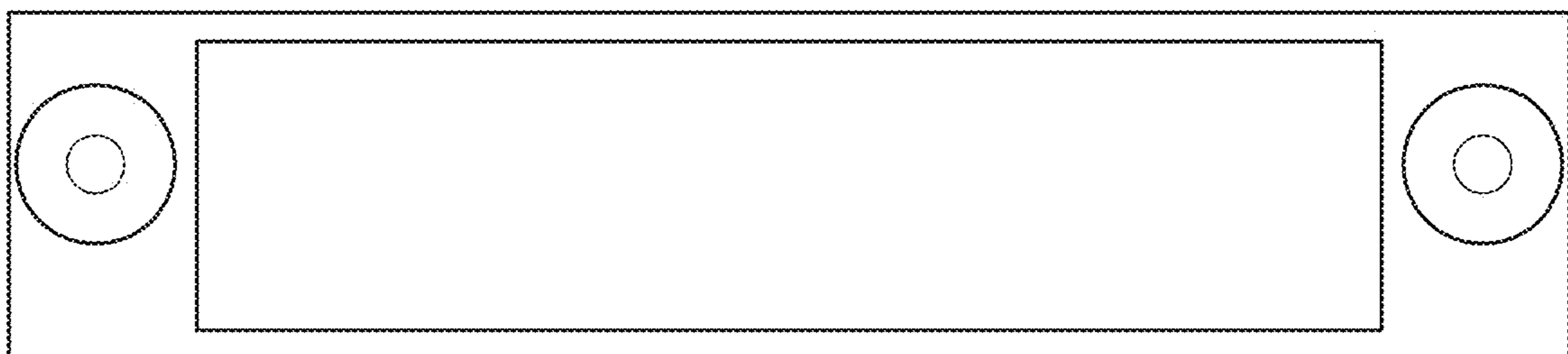


FIG. 3

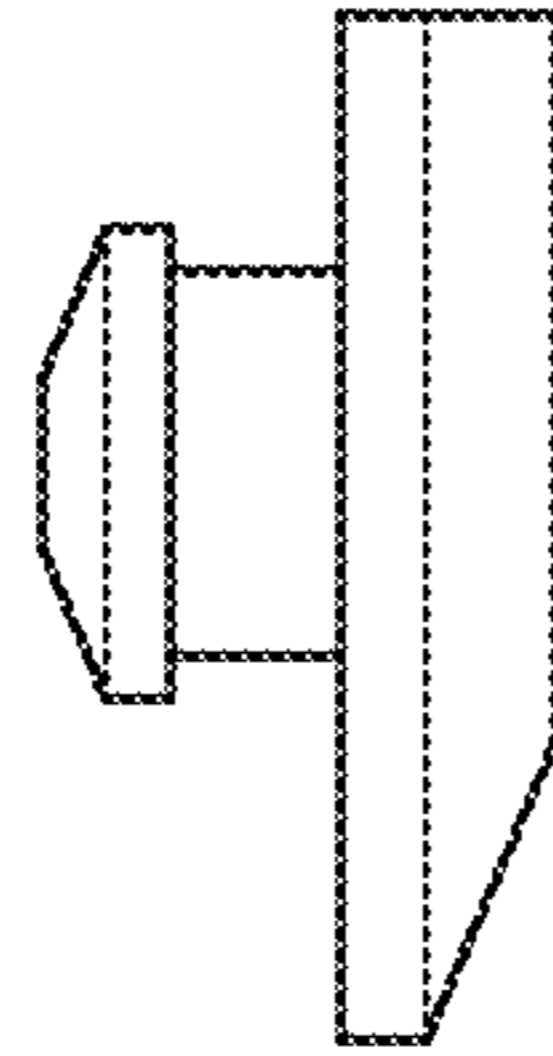


FIG. 4

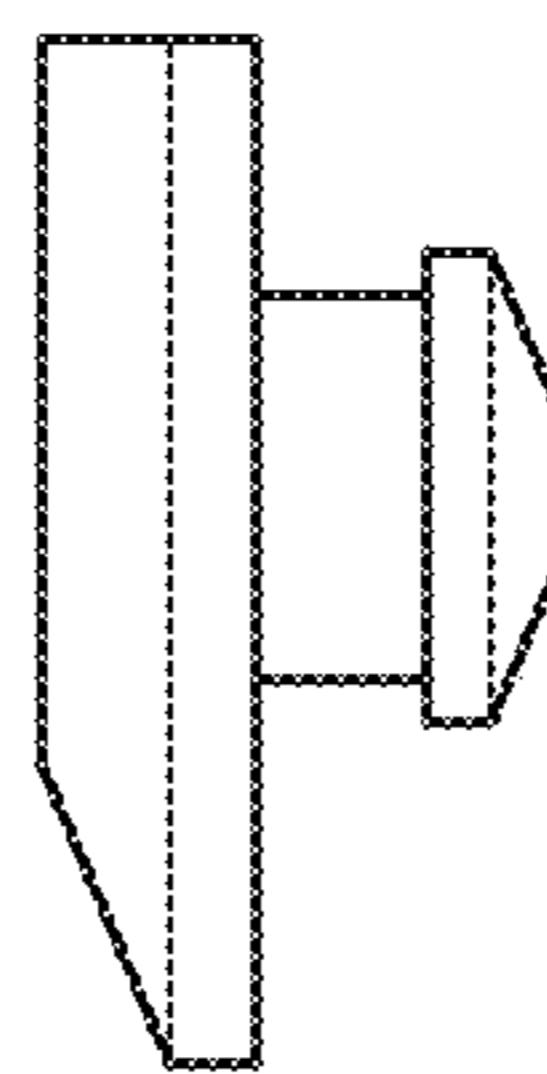


FIG. 5



FIG. 6

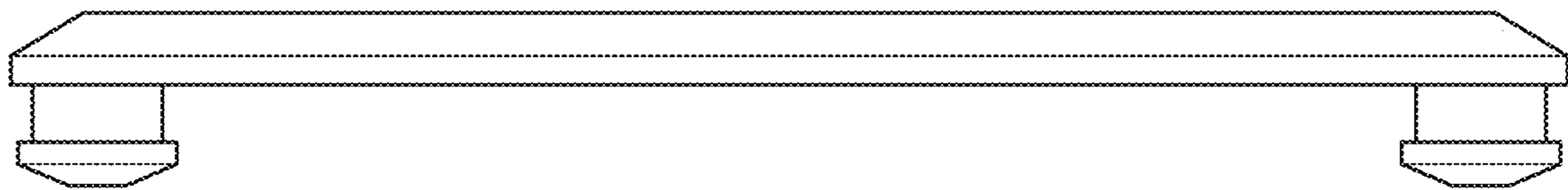


FIG. 7

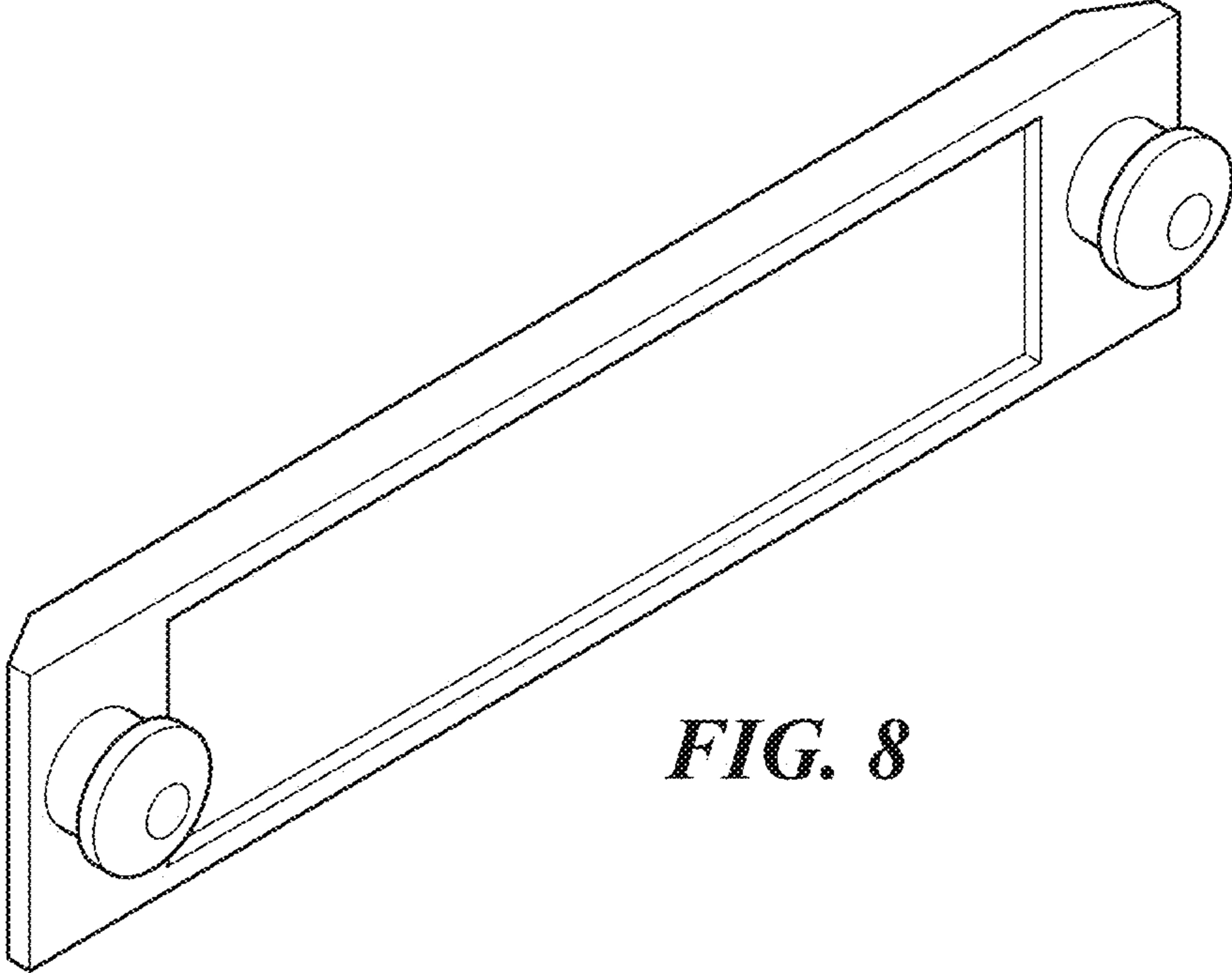


FIG. 8

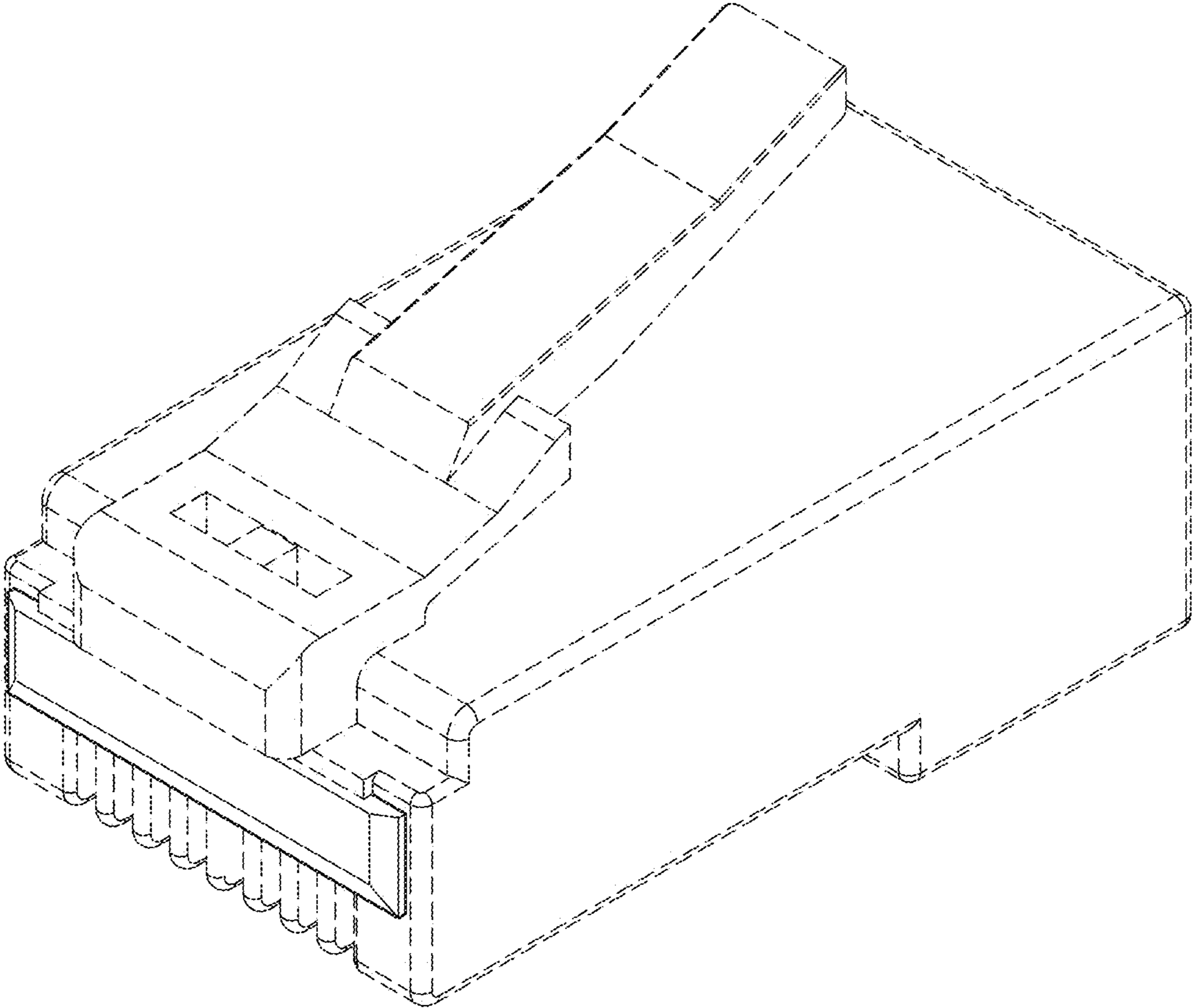


FIG. 9