



US00D900115S

(12) **United States Design Patent**  
**Xu**

(10) **Patent No.:** **US D900,115 S**

(45) **Date of Patent:** **\*\* Oct. 27, 2020**

(54) **CASE FOR TABLETS**

D744,489 S \* 12/2015 Sirichai ..... D14/440

D744,492 S \* 12/2015 Lin ..... G06F 1/1632

D14/440

9,307,062 B2 \* 4/2016 Kim ..... F16M 13/00

(Continued)

(71) Applicant: **Shenzhen Zhongbo Dingsheng Technology Co., Ltd., Shenzhen (CN)**

(72) Inventor: **ZhaoYi Xu, Shenzhen (CN)**

*Primary Examiner* — Cynthia R Underwood

(73) Assignee: **Shenzhen Zhongbo Dingsheng Technology Co., Ltd., Shenzhen (CN)**

(74) *Attorney, Agent, or Firm* — Zhihua Han; Wen IP LLC

(\*\*) Term: **15 Years**

(57) **CLAIM**

(21) Appl. No.: **29/703,680**

I claim the ornamental design for the case for tablets, as shown and described.

(22) Filed: **Aug. 29, 2019**

**DESCRIPTION**

(51) **LOC (12) Cl.** ..... **14-02**

(52) **U.S. Cl.**

USPC ..... **D14/440**

(58) **Field of Classification Search**

USPC ..... D14/440, 447, 250; 206/45.23, 320, 206/45.2; 361/679.55; 294/25; 224/218; 455/575.8

CPC ... G06F 1/1628; G06F 1/1626; A47B 23/044; H04B 1/3888; A45C 11/00

See application file for complete search history.

FIG. 1 is a front elevational view of the case for tablets showing my new design;

FIG. 2 is rear elevational view thereof;

FIG. 3 is a left side elevational view thereof;

FIG. 4 is a right side elevational view thereof;

FIG. 5 is a top plan view thereof;

FIG. 6 is a bottom plan view thereof;

FIG. 7 is front elevational view thereof, in an open position;

FIG. 8 is a perspective view thereof, in an open, working position;

FIG. 9 is another perspective view thereof, in an open, working position;

FIG. 10 is a front elevational view thereof, in an open, working position;

FIG. 11 is a bottom plan view thereof, in an open, working position;

FIG. 12 is a left side elevational view thereof, in an open, working position;

FIG. 13 is a right side elevational view thereof, in an open, working position; and,

FIG. 14 is a top plan view thereof, in an open, working position.

The broken lines represent stitching and form part of the claim.

(56) **References Cited**

U.S. PATENT DOCUMENTS

D696,256 S \* 12/2013 Piedra ..... D14/440

D696,669 S \* 12/2013 Akana ..... D14/440

D700,611 S \* 3/2014 Boldetti ..... D14/440

D719,169 S \* 12/2014 McBroom ..... D14/440

8,905,231 B2 \* 12/2014 Couch, III ..... A45C 13/02

206/320

D723,568 S \* 3/2015 Kim ..... D14/440

D724,090 S \* 3/2015 Kim ..... D14/440

D724,092 S \* 3/2015 Zangari ..... D14/440

D727,916 S \* 4/2015 Melmon ..... D14/440

D727,919 S \* 4/2015 Melmon ..... D14/440

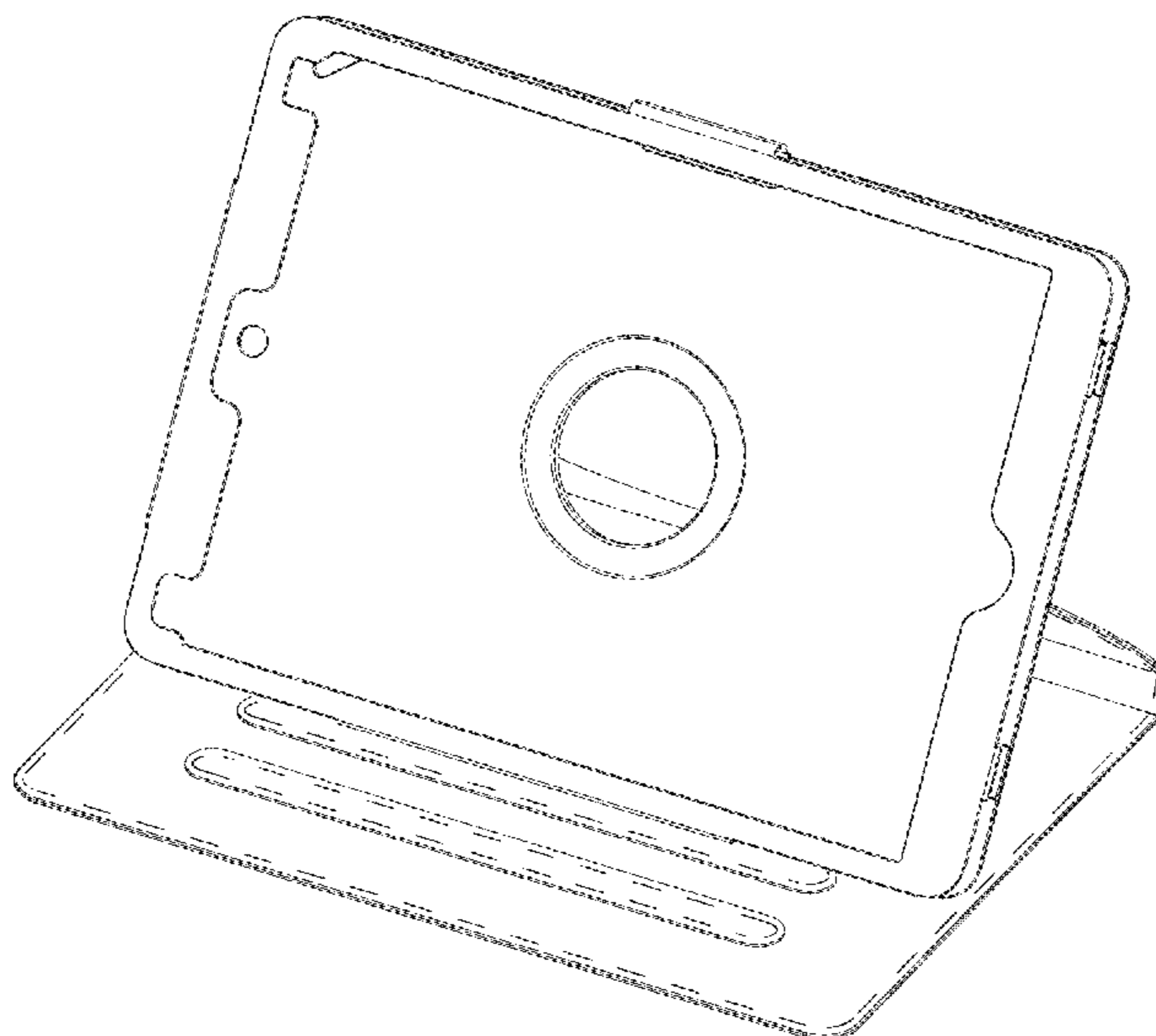
D729,253 S \* 5/2015 Nyholm ..... D14/440

D733,152 S \* 6/2015 Sirichai ..... D14/440

D734,340 S \* 7/2015 Kim ..... D14/440

9,095,194 B2 \* 8/2015 Hassett ..... A45C 11/00

**1 Claim, 12 Drawing Sheets**



(56)

References Cited

U.S. PATENT DOCUMENTS

D764,472 S \* 8/2016 Corcoran ..... D14/440  
 D819,038 S \* 5/2018 Diebel ..... D14/440  
 D822,675 S \* 7/2018 Zhu ..... D14/455  
 D832,270 S \* 10/2018 Cheng ..... D14/440  
 D832,271 S \* 10/2018 Cheng ..... A45C 11/00  
 D837,219 S \* 1/2019 Gao ..... D14/440  
 D845,305 S \* 4/2019 Xu ..... D14/440  
 D846,550 S \* 4/2019 Feng ..... D14/440  
 D846,551 S \* 4/2019 Feng ..... D14/440  
 D846,552 S \* 4/2019 Feng ..... D14/440  
 D846,553 S \* 4/2019 Feng ..... D14/440  
 D848,409 S \* 5/2019 Feng ..... D14/250  
 10,389,398 B1 \* 8/2019 Garcia ..... A45C 13/005  
 D868,072 S \* 11/2019 Lei ..... D14/440  
 D868,788 S \* 12/2019 Weng ..... D14/440  
 D881,895 S \* 4/2020 Liu ..... D14/440  
 D883,989 S \* 5/2020 Cheng ..... D14/440  
 2007/0057140 A1 \* 3/2007 Liou ..... F16M 11/10  
 248/456

2008/0029412 A1 \* 2/2008 Ho ..... F16M 11/2014  
 206/320  
 2009/0159763 A1 \* 6/2009 Kim ..... F16M 11/22  
 248/174  
 2009/0178938 A1 \* 7/2009 Palmer ..... A45C 5/03  
 206/45.23  
 2009/0194209 A1 \* 8/2009 De Filippis ..... A45C 11/00  
 150/107  
 2011/0227463 A1 \* 9/2011 Hou ..... A47B 23/043  
 312/223.1  
 2011/0266194 A1 \* 11/2011 Bau ..... H04B 1/3888  
 206/736  
 2011/0290687 A1 \* 12/2011 Han ..... A45C 13/002  
 206/320  
 2011/0297566 A1 \* 12/2011 Gallagher ..... F16M 11/2021  
 206/320  
 2012/0044638 A1 \* 2/2012 Mongan ..... A45C 11/00  
 361/679.55  
 2013/0140194 A1 \* 6/2013 Han ..... G06F 1/1656  
 206/45.23  
 2013/0233762 A1 \* 9/2013 Balaji ..... B29C 65/7802  
 206/736

\* cited by examiner

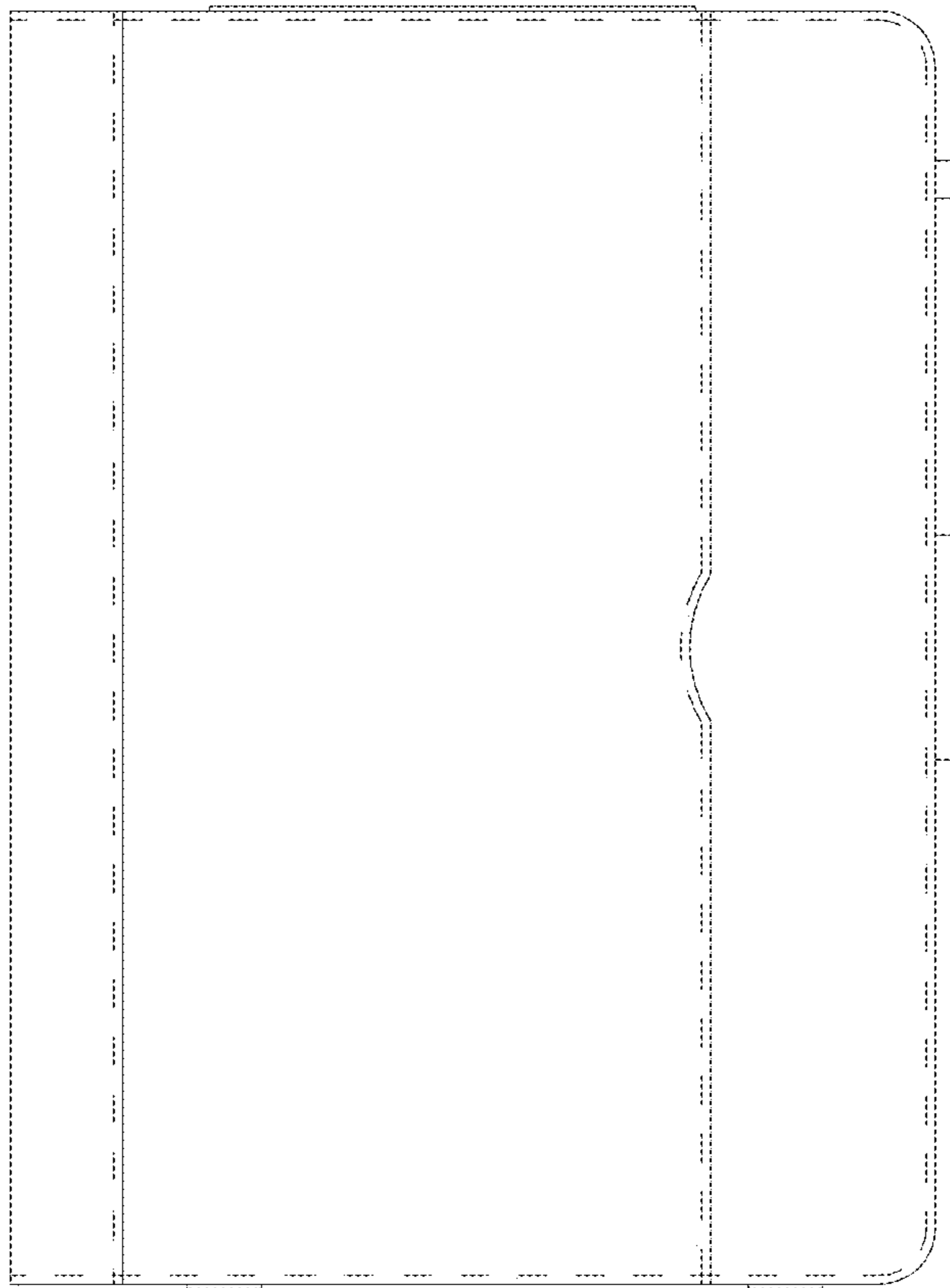


FIG. 1

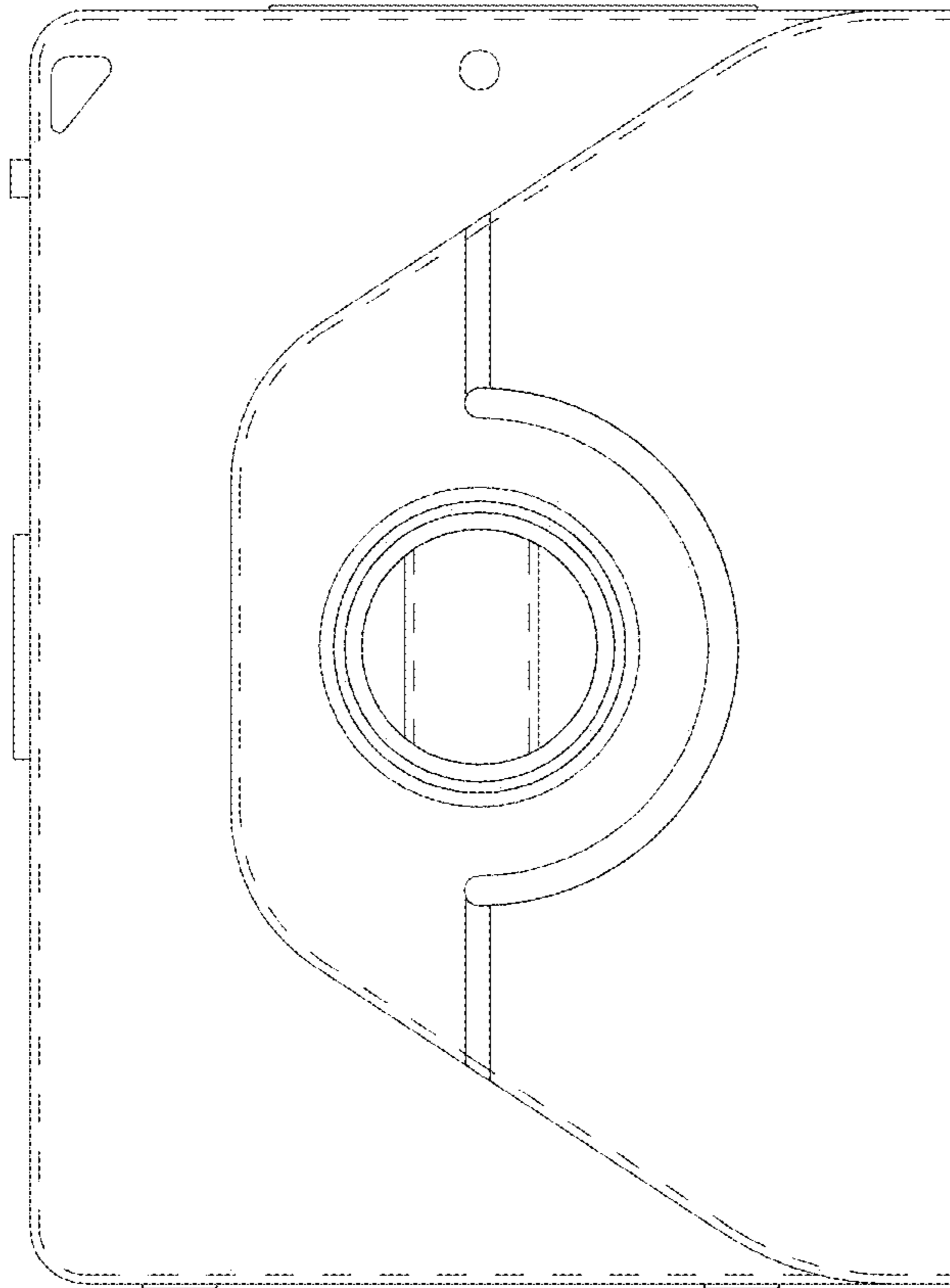
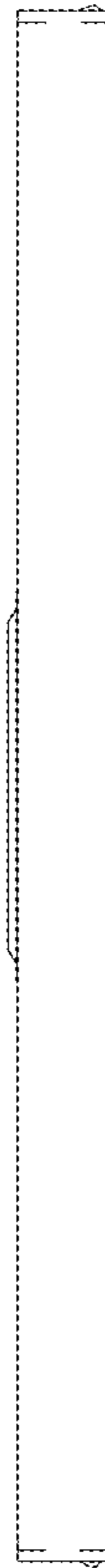


FIG. 2



**FIG. 3**

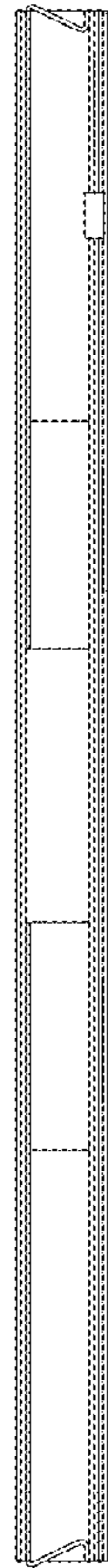
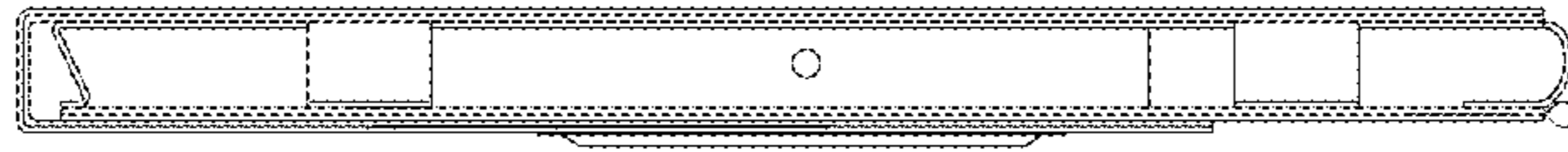
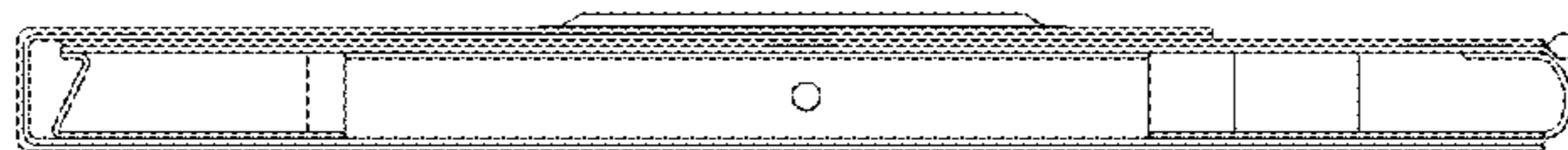


FIG. 4



**FIG. 5**



**FIG. 6**

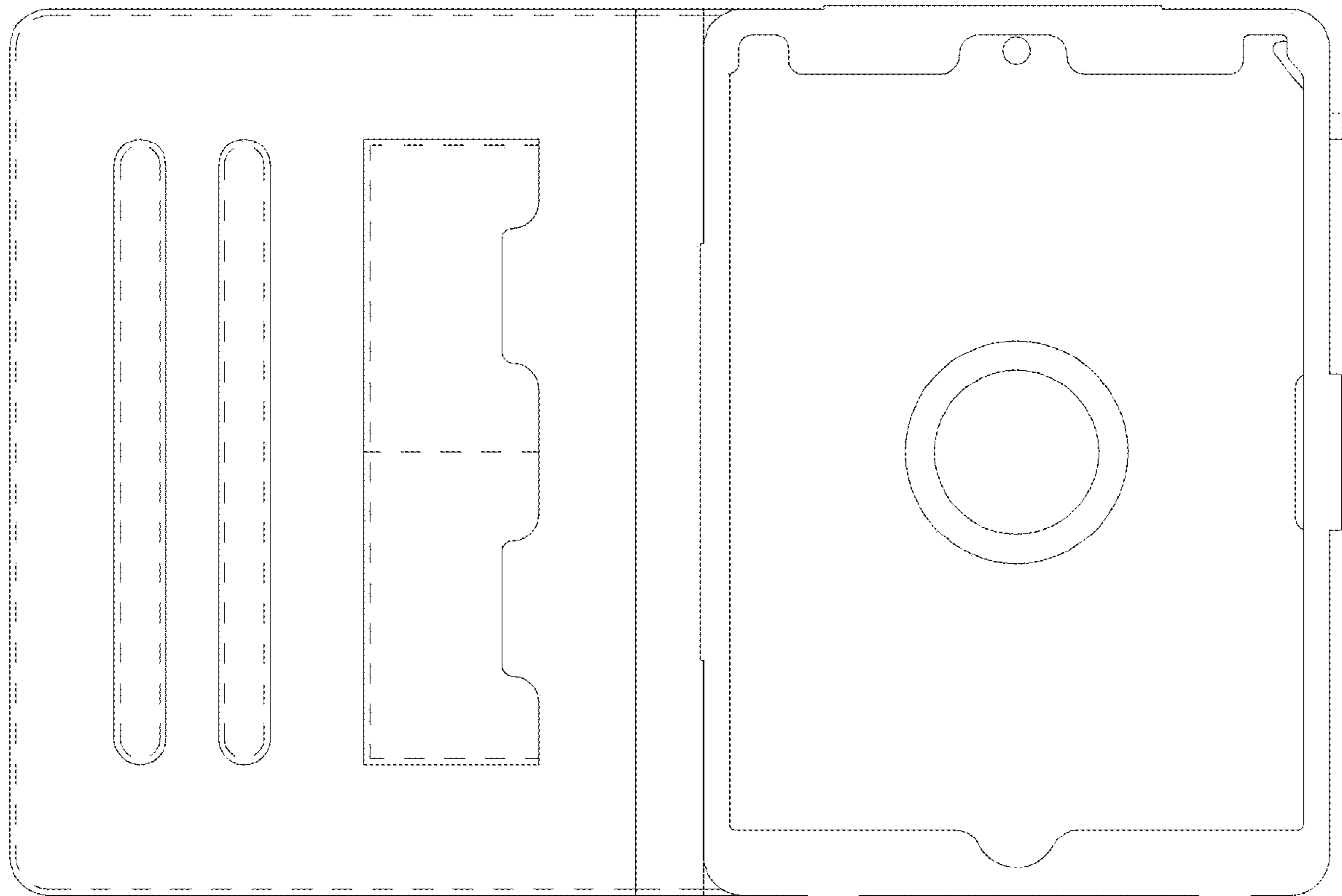


FIG. 7



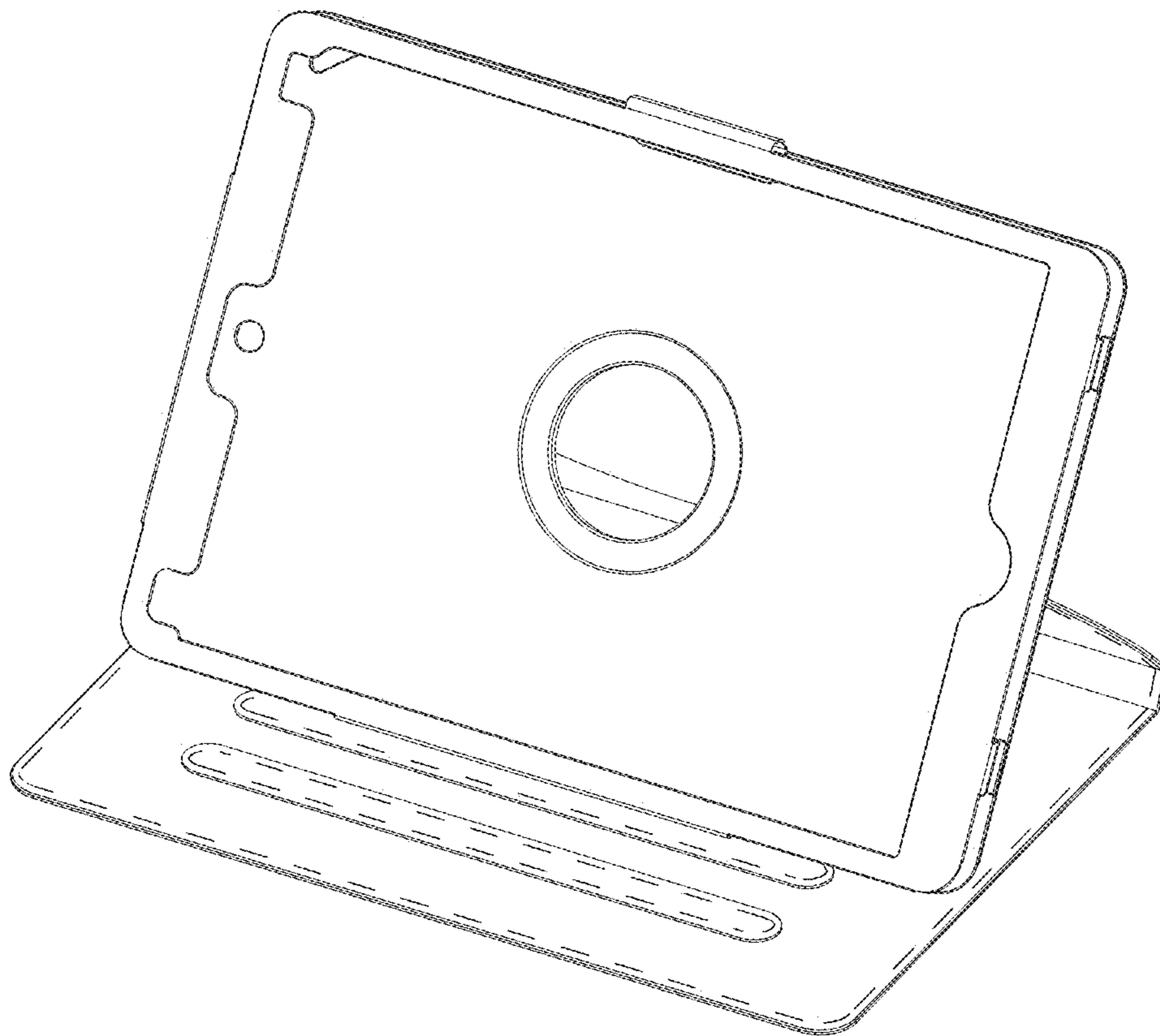
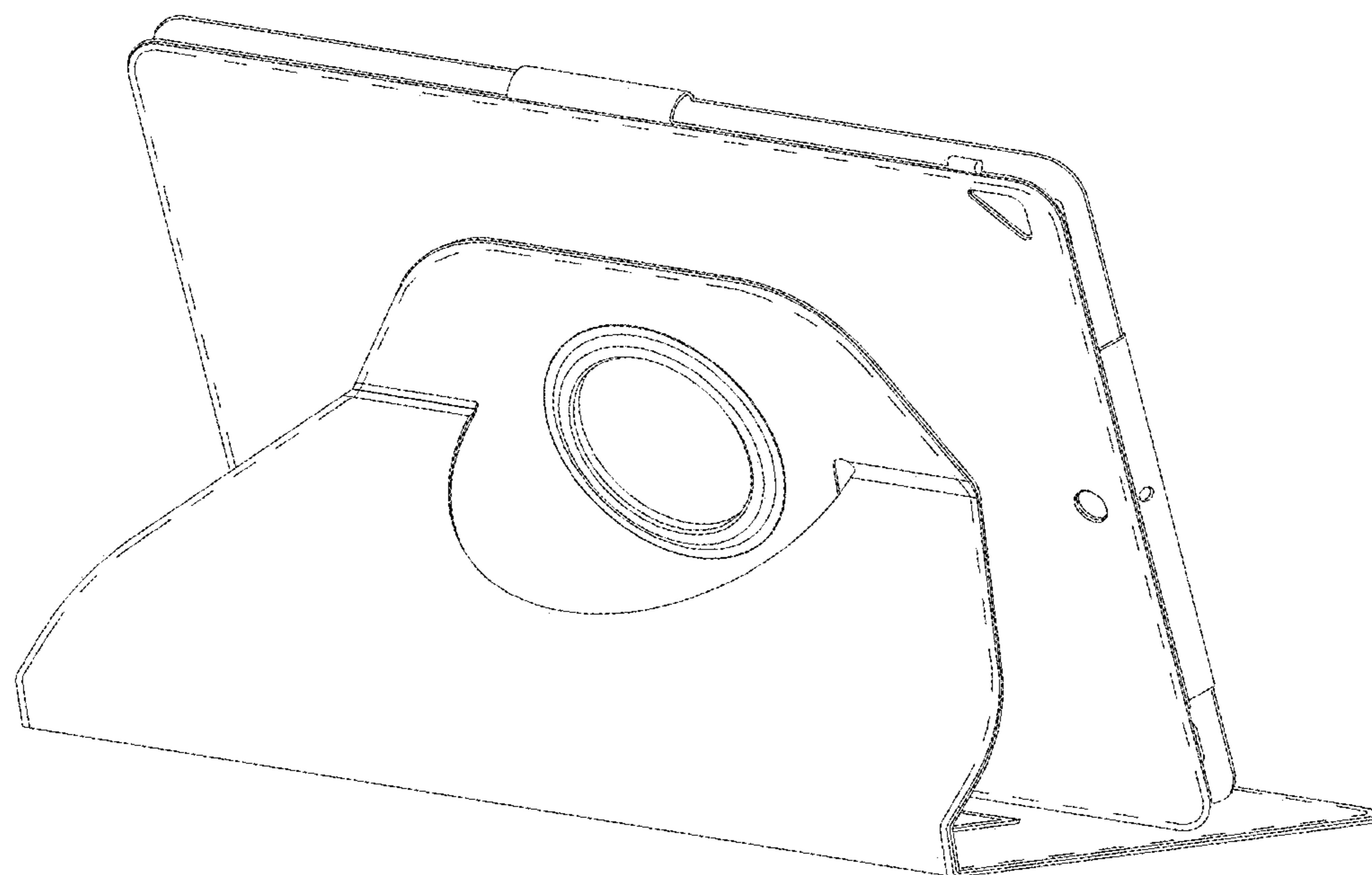


FIG. 8



**FIG. 9**

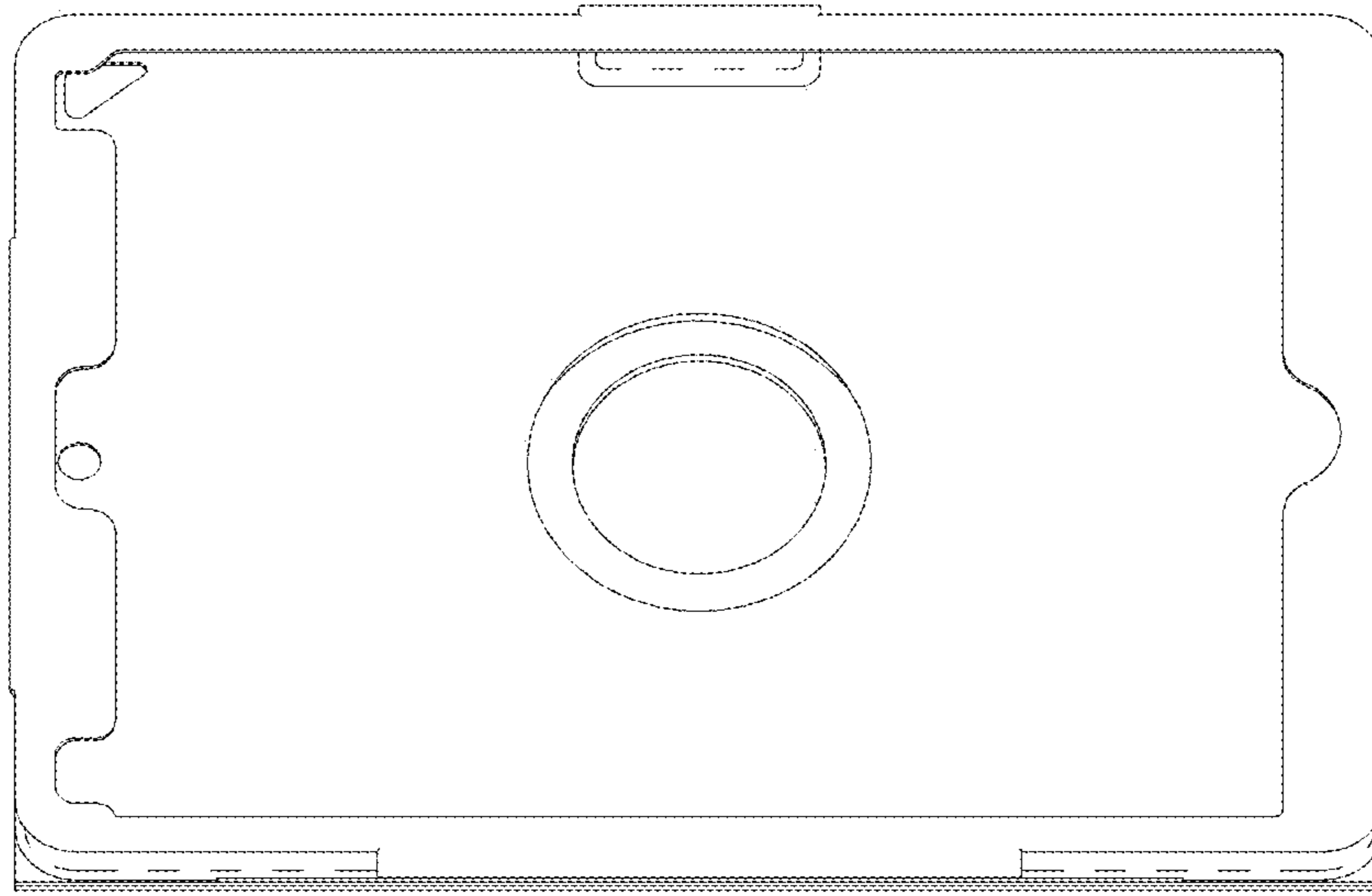
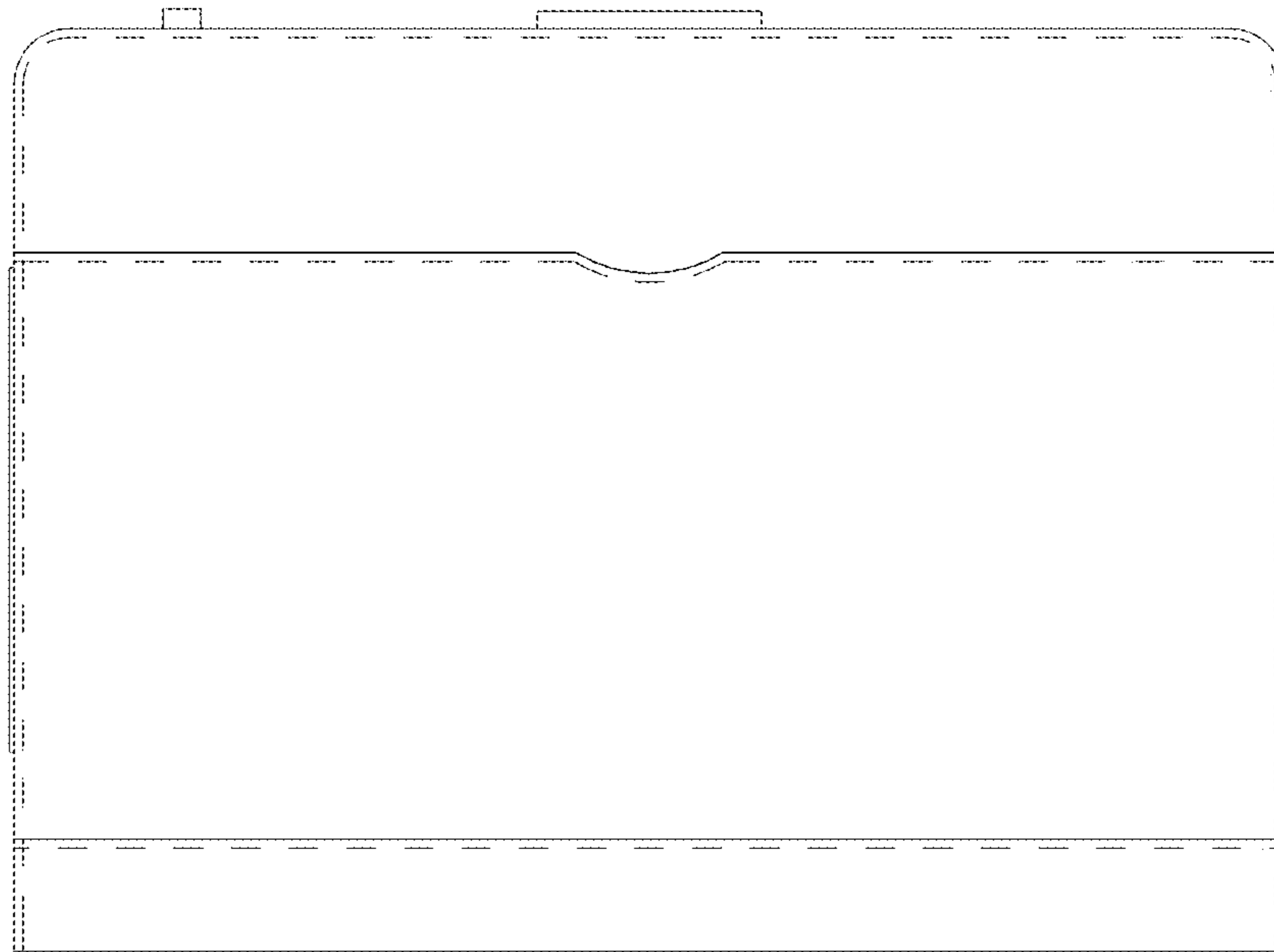
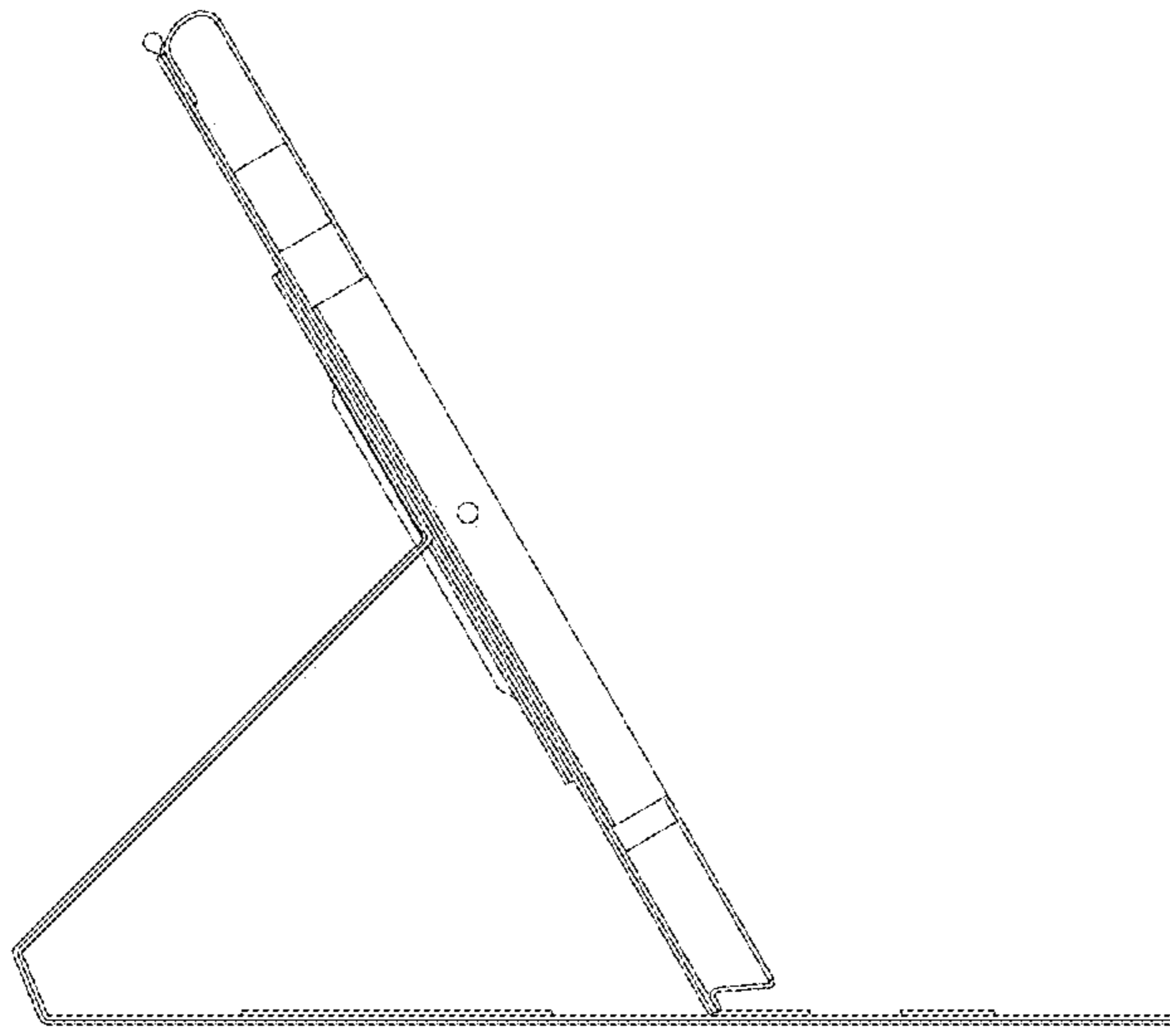


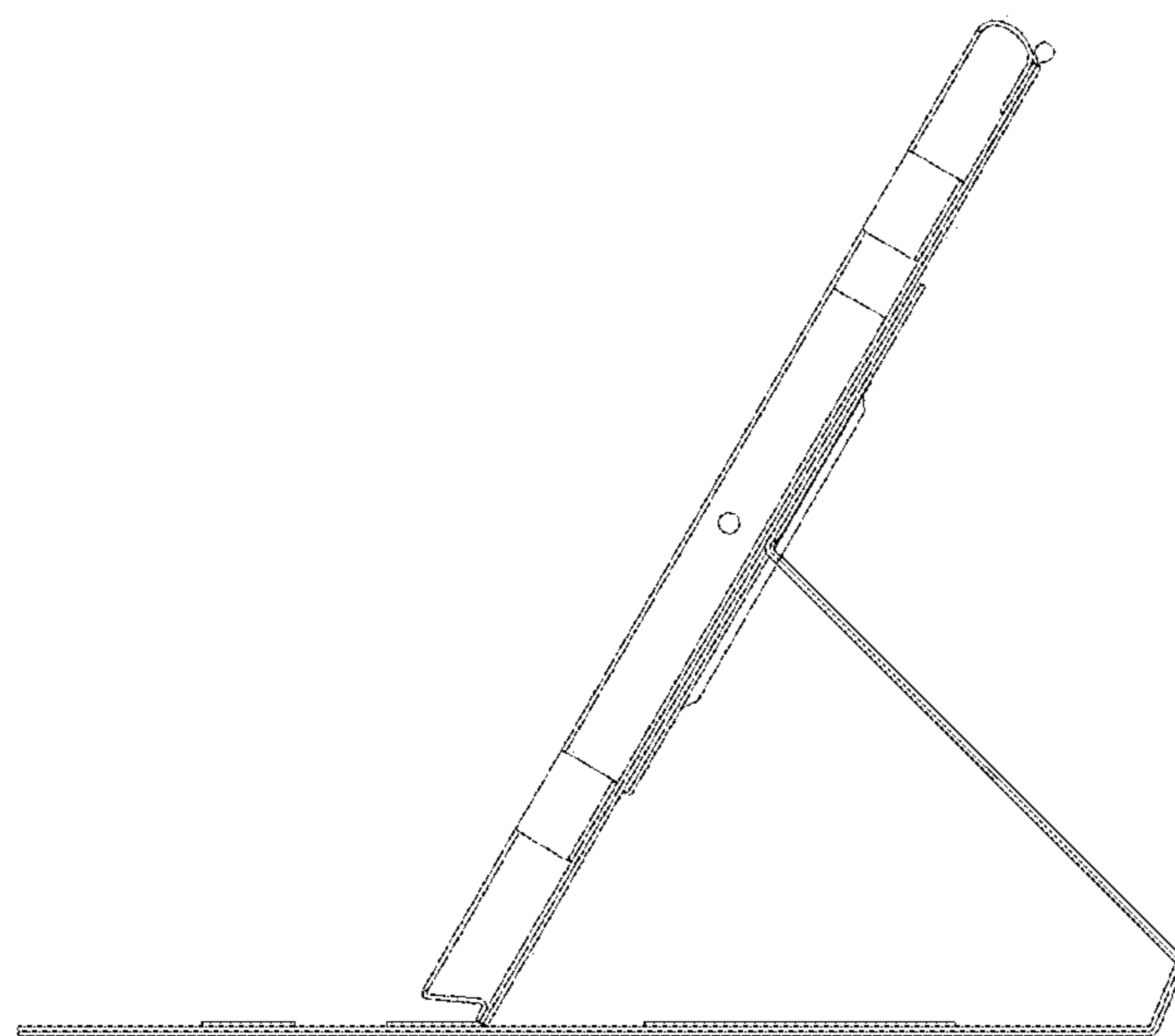
FIG. 10



**FIG. 11**



**FIG. 12**



**FIG. 13**

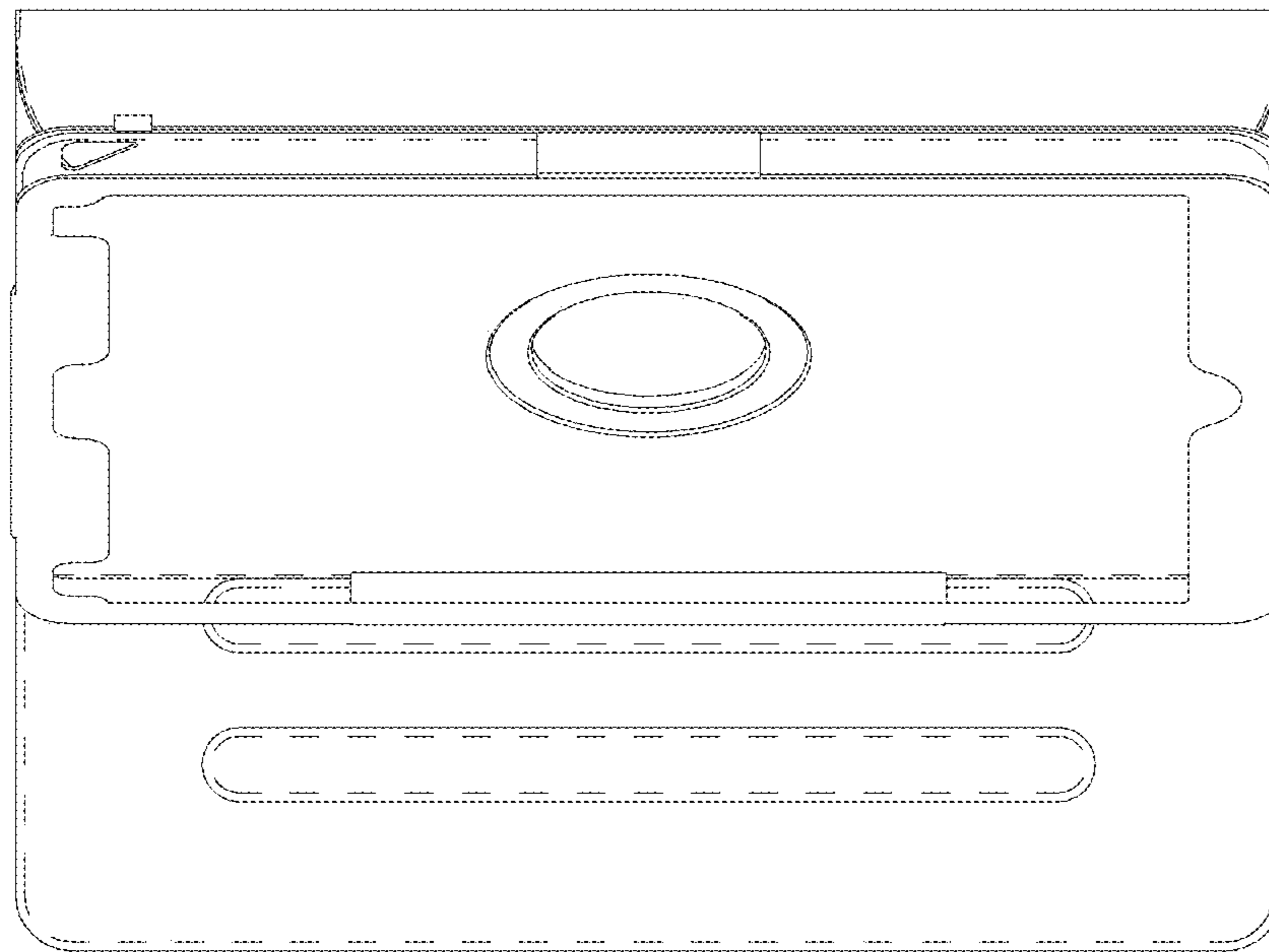


FIG. 14