



US00D900114S

(12) **United States Design Patent**  
**Tang**

(10) **Patent No.:** **US D900,114 S**

(45) **Date of Patent:** **\*\* Oct. 27, 2020**

(54) **PROTECTIVE COVER FOR ELECTRONIC EQUIPMENT**

D729,253 S \* 5/2015 Nyholm ..... D14/440  
D733,152 S \* 6/2015 Sirichai ..... D14/440  
D734,340 S \* 7/2015 Kim ..... D14/440

(Continued)

(71) Applicant: **SHENZHEN TANGNISEN TECHNOLOGY CO., LTD.**, Shenzhen (CN)

*Primary Examiner* — Cynthia R Underwood

(72) Inventor: **Shunchao Tang**, Shenzhen (CN)

(57) **CLAIM**

(73) Assignee: **SHENZHEN TANGNISEN TECHNOLOGY CO., LTD.**, Shenzhen (CN)

The ornamental design for a protective cover for electronic equipment, as shown and described.

(\*\*) Term: **15 Years**

**DESCRIPTION**

(21) Appl. No.: **29/701,028**

(22) Filed: **Aug. 7, 2019**

(51) **LOC (12) Cl.** ..... **14-02**

(52) **U.S. Cl.**  
USPC ..... **D14/440**

(58) **Field of Classification Search**  
USPC ..... D14/440, 447, 250; 206/45.23, 320,  
206/45.2; 361/679.55; 294/25; 224/218;  
455/575.8

CPC ... G06F 1/1628; G06F 1/1626; A47B 23/044;  
H04B 1/3888; A45C 11/00

See application file for complete search history.

FIG. 1 is a perspective view of a protective cover for electronic equipment showing my new design; FIG. 2 is another perspective view thereof; FIG. 3 is a front elevational view thereof; FIG. 4 is a rear elevational view thereof; FIG. 5 is a left side elevational view thereof; FIG. 6 is a right side elevational view thereof; FIG. 7 is a top plan view thereof; FIG. 8 is a bottom plan view thereof.

FIG. 9 is a perspective view of the protective cover for electronic equipment shown in a first configuration of use; FIG. 10 is a perspective view of the protective cover for electronic equipment shown in a second configuration of use;

FIG. 11 is a perspective view of the protective cover for electronic equipment shown in a third configuration of use; FIG. 12 is a perspective view of the protective cover for electronic equipment shown in a fourth configuration of use; and,

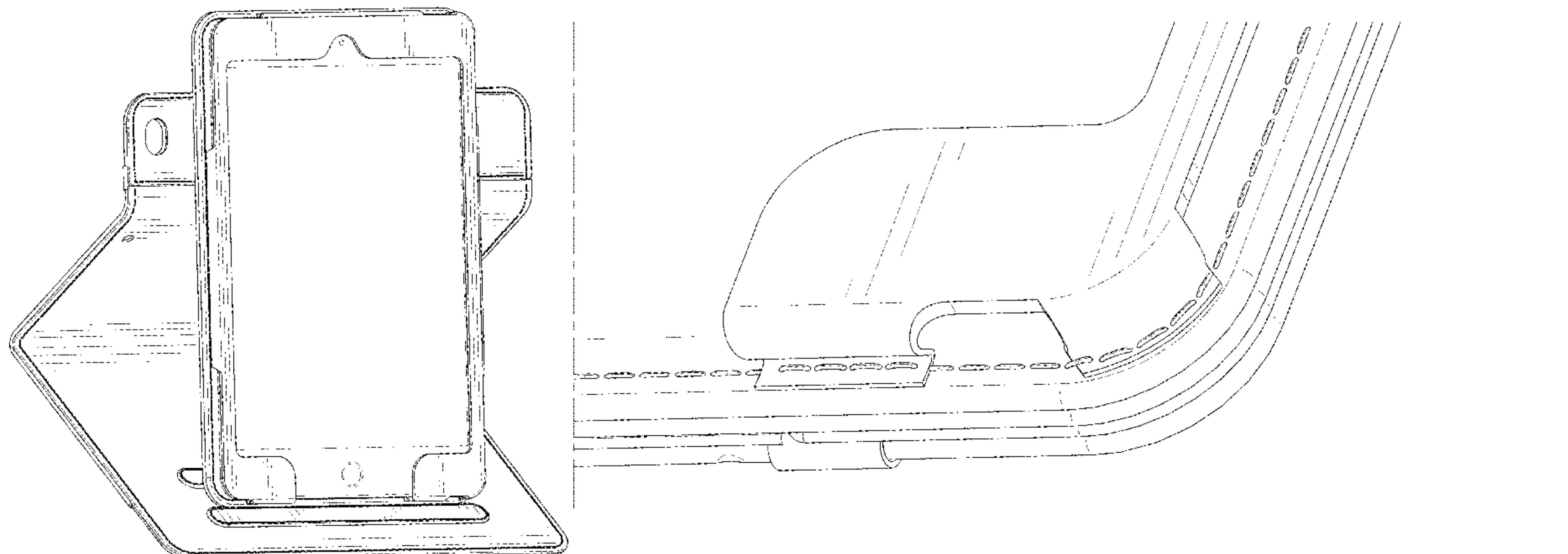
FIG. 13 is an enlarged partial view of portion 13 of FIG. 1. The broken lines in FIGS. 1 and 13 depict the area from which the FIG. 13 enlargement was taken and form no part of the claim. The broken lines depicting a tablet form no part of the claim. The thicker broken lines are stitching and are part of the claim.

(56) **References Cited**

**U.S. PATENT DOCUMENTS**

- D696,256 S \* 12/2013 Piedra ..... D14/440
- D696,669 S \* 12/2013 Akana ..... D14/440
- D700,611 S \* 3/2014 Boldetti ..... D14/440
- D719,169 S \* 12/2014 McBroom ..... D14/440
- 8,905,231 B2 \* 12/2014 Couch, III ..... A45C 13/02  
206/320
- D723,568 S \* 3/2015 Kim ..... D14/440
- D724,090 S \* 3/2015 Kim ..... D14/440
- D724,092 S \* 3/2015 Zangari ..... D14/440
- D727,916 S \* 4/2015 Melmon ..... D14/440
- D727,919 S \* 4/2015 Melmon ..... D14/440

**1 Claim, 13 Drawing Sheets**





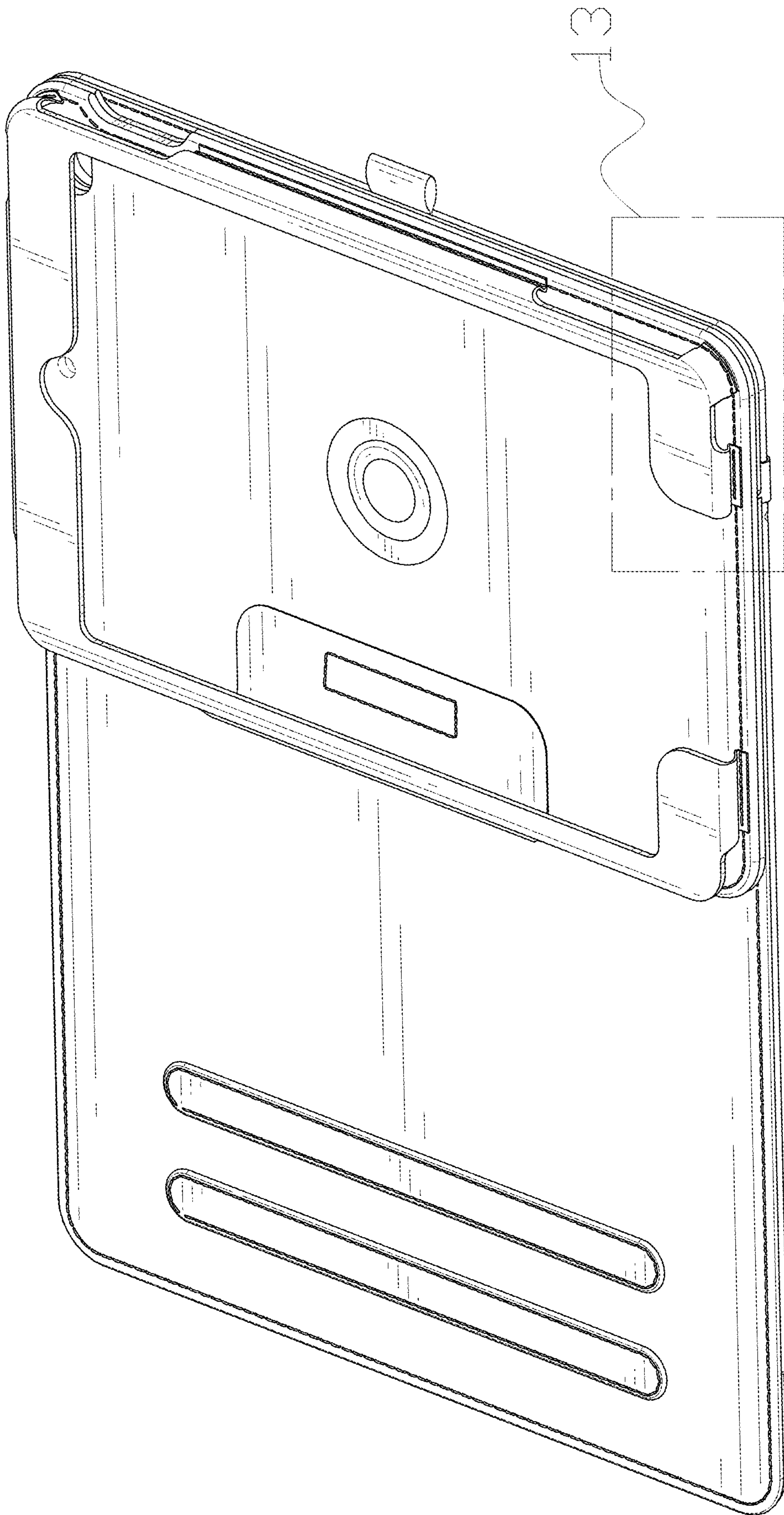


FIG. 1



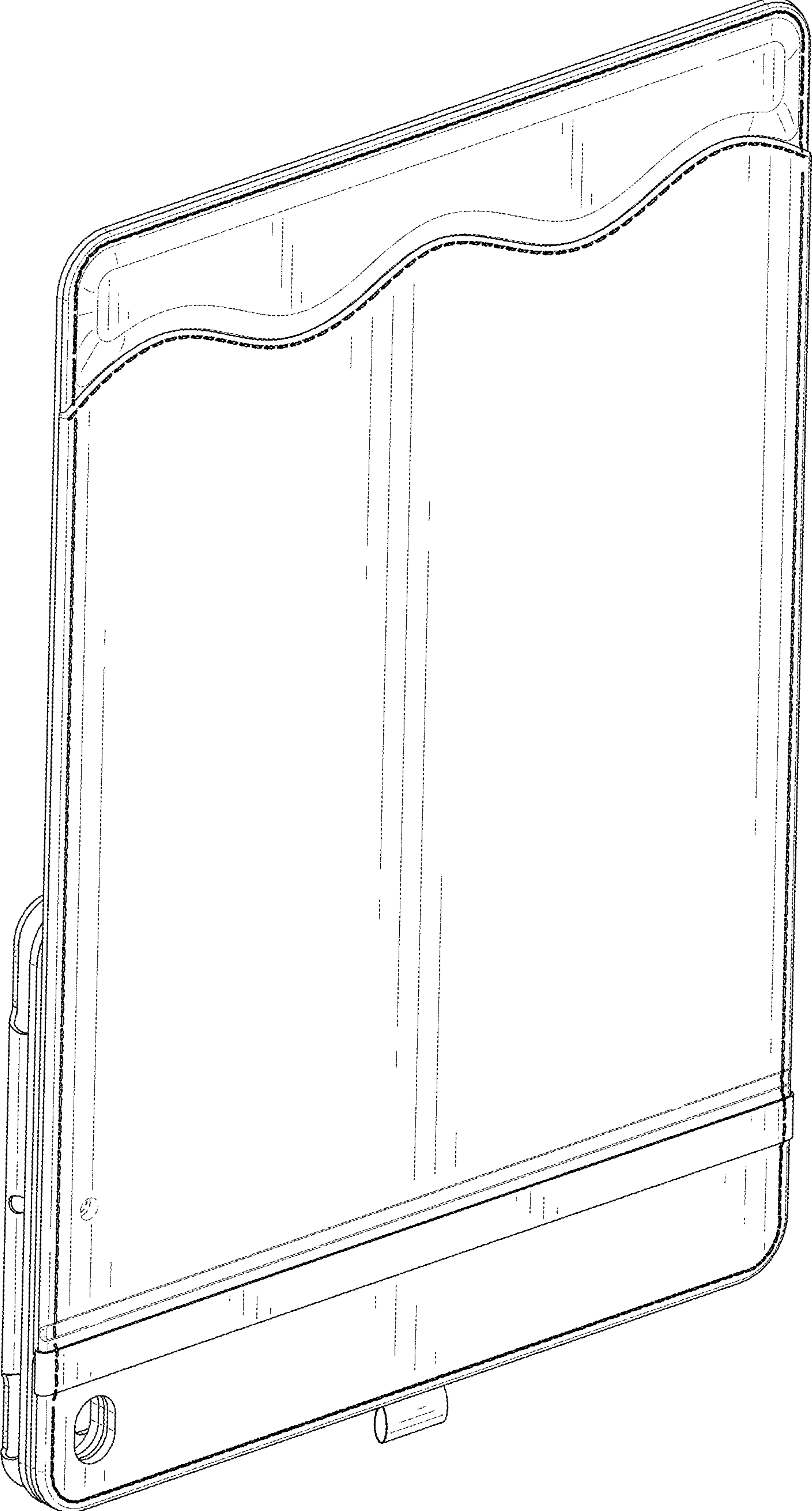


FIG. 2

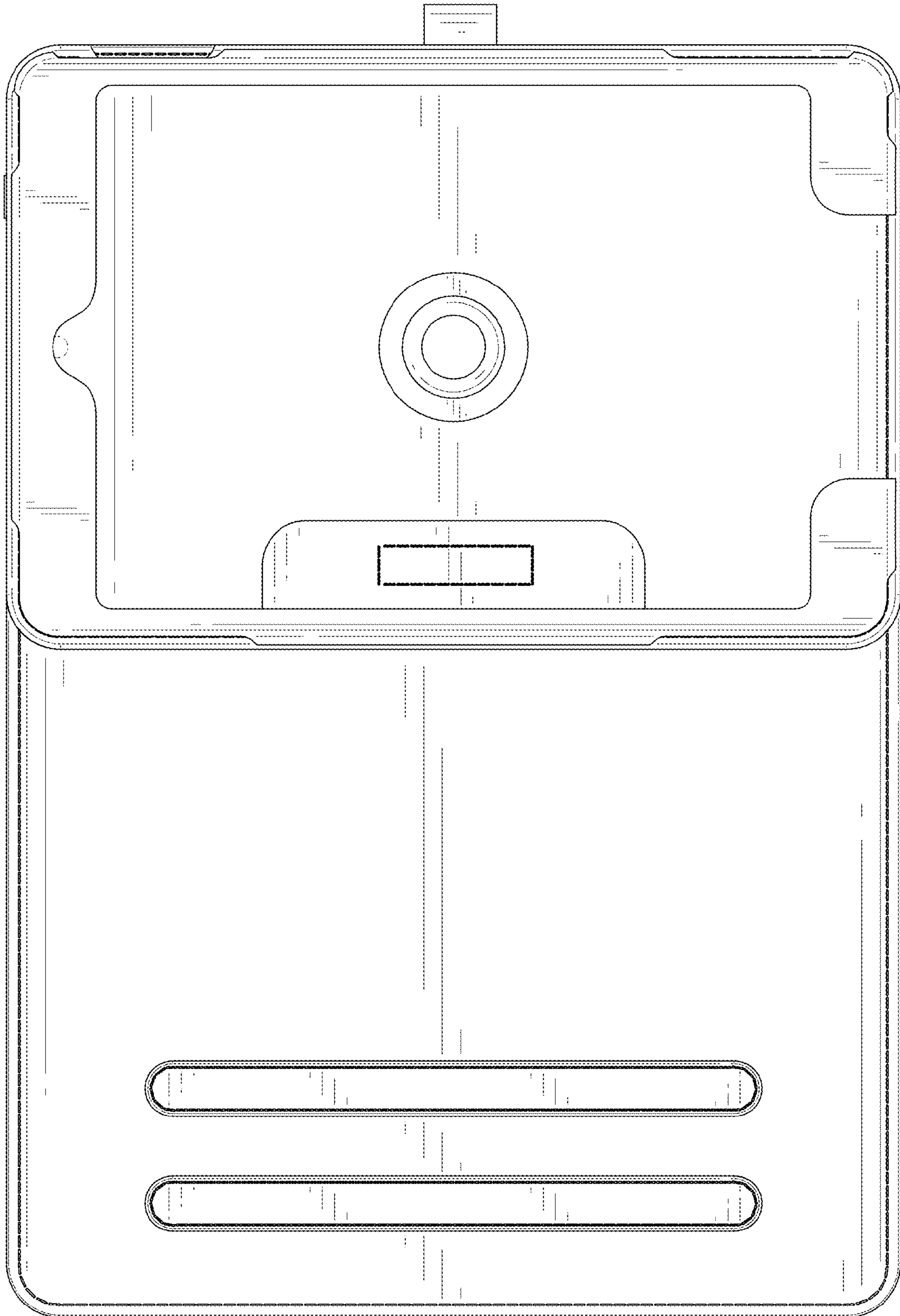


FIG. 3

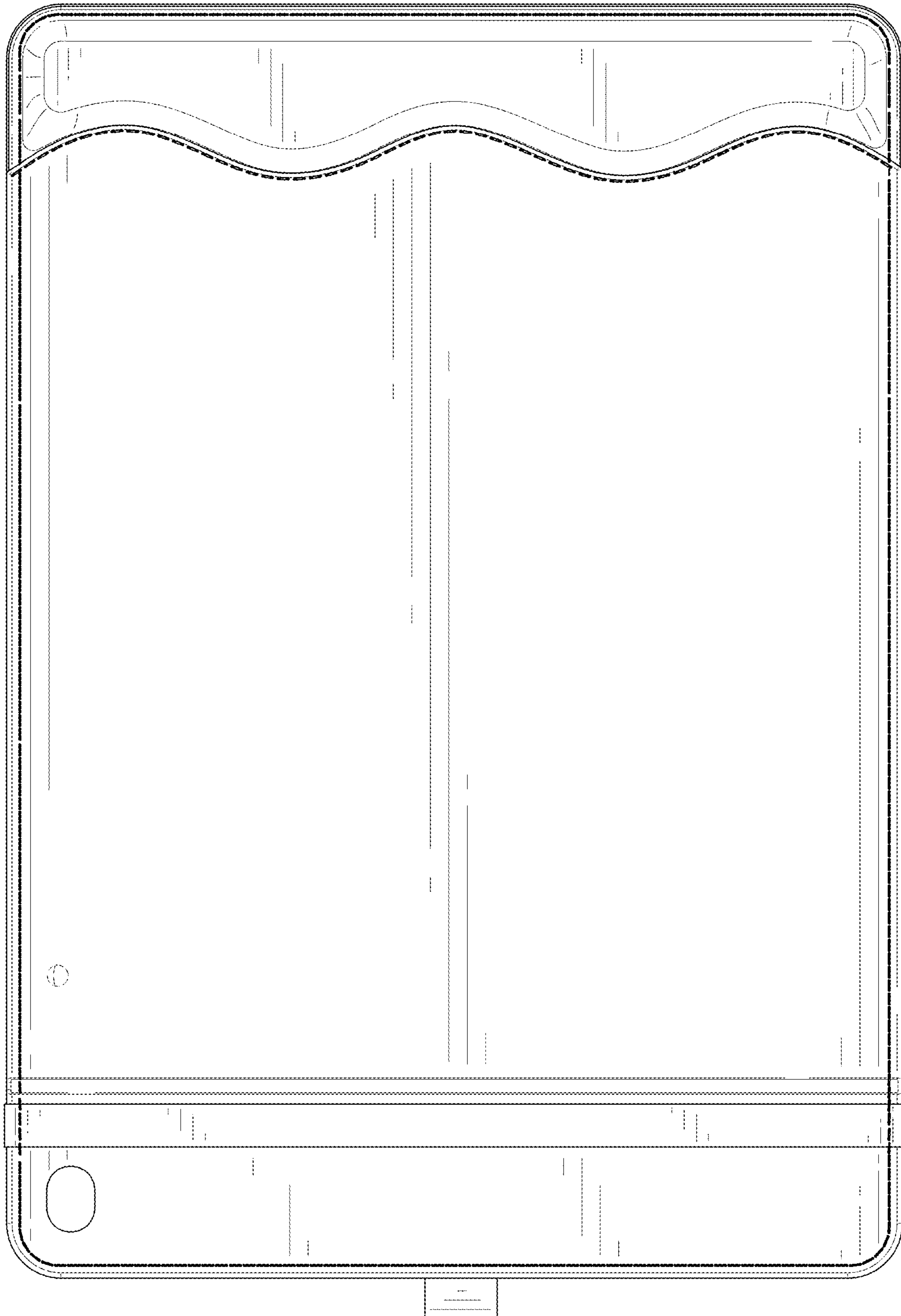


FIG. 4

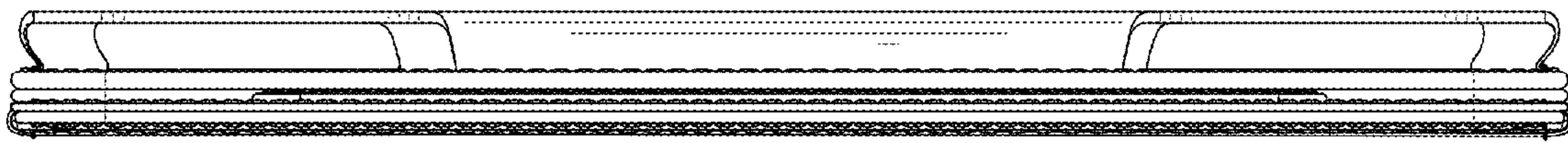


FIG. 5

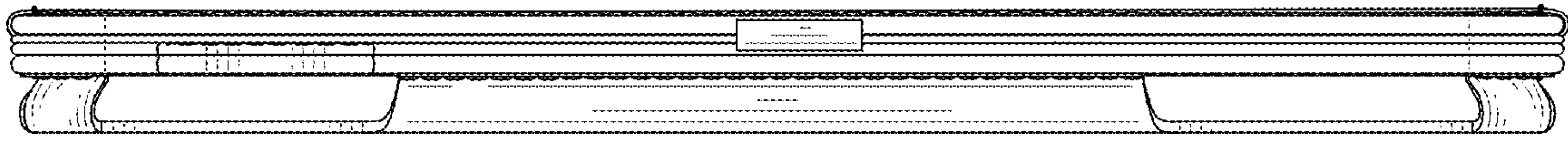


FIG. 6



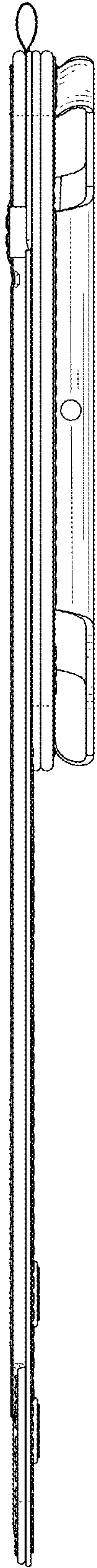


FIG. 7

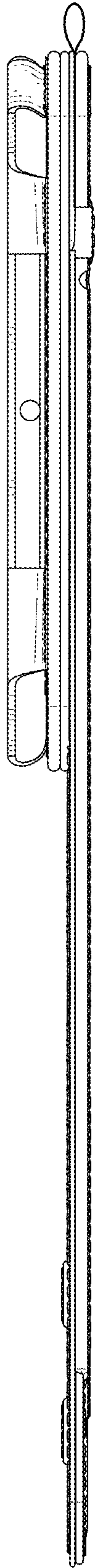


FIG. 8

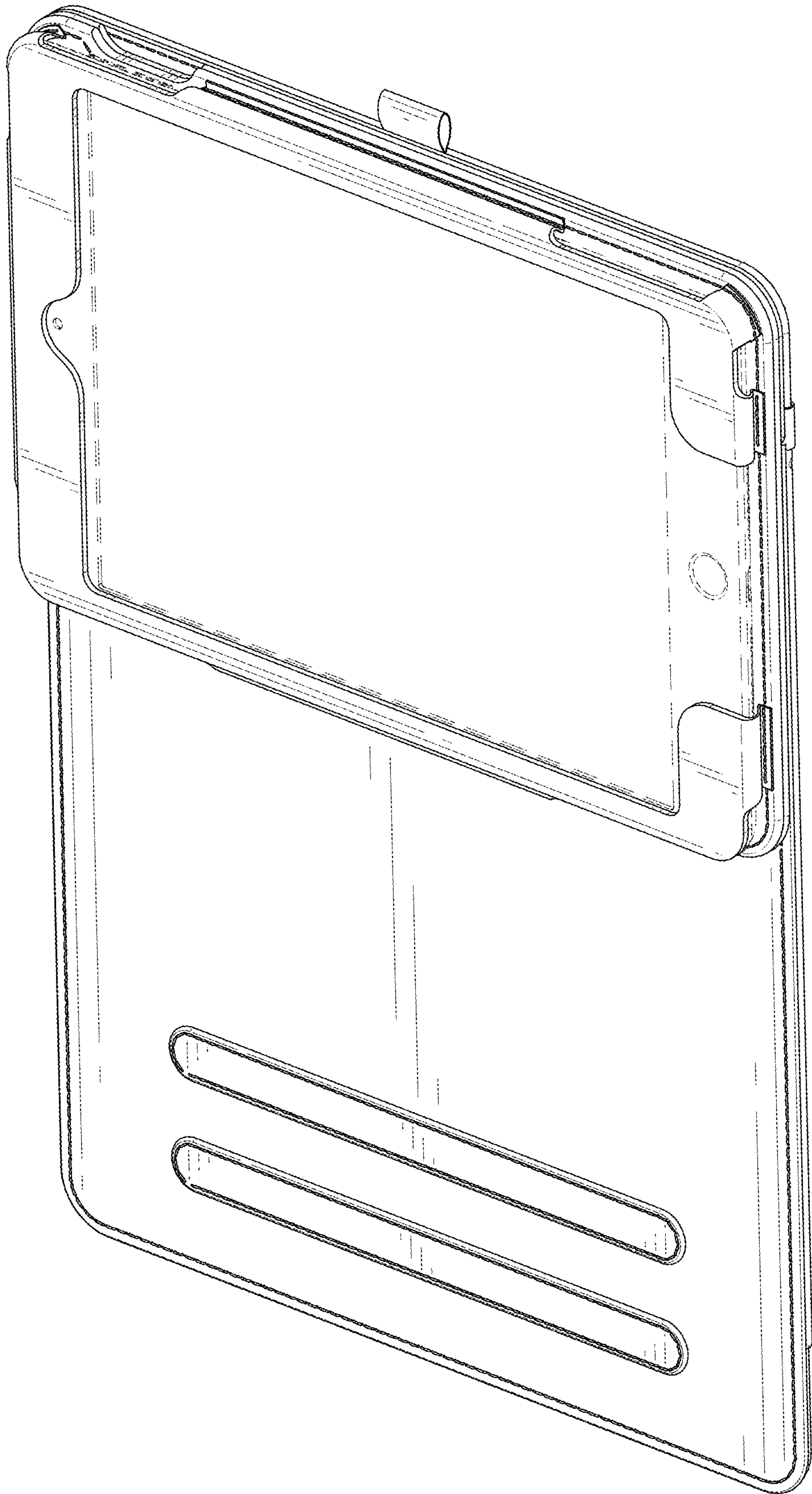


FIG. 9

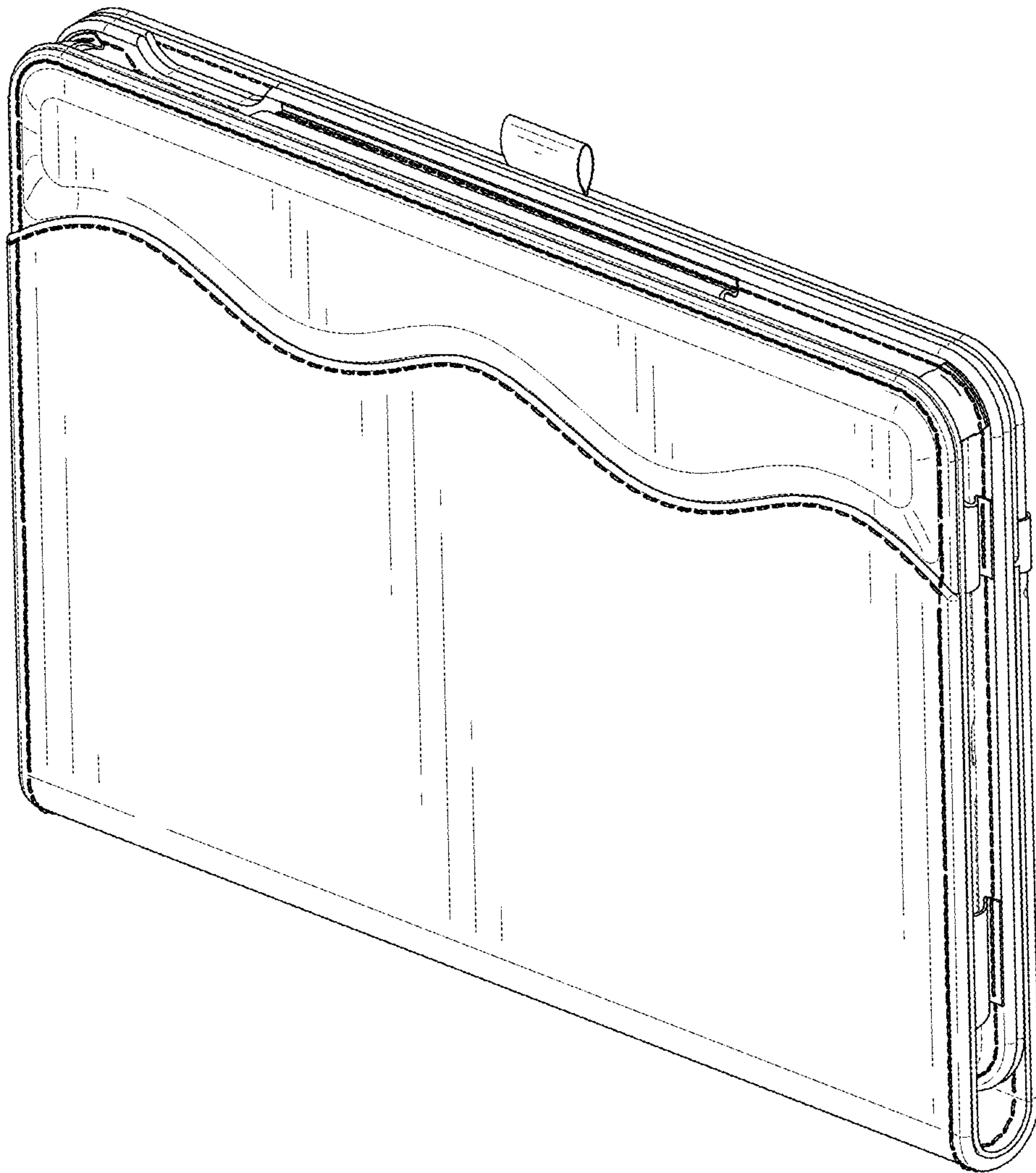


FIG. 10



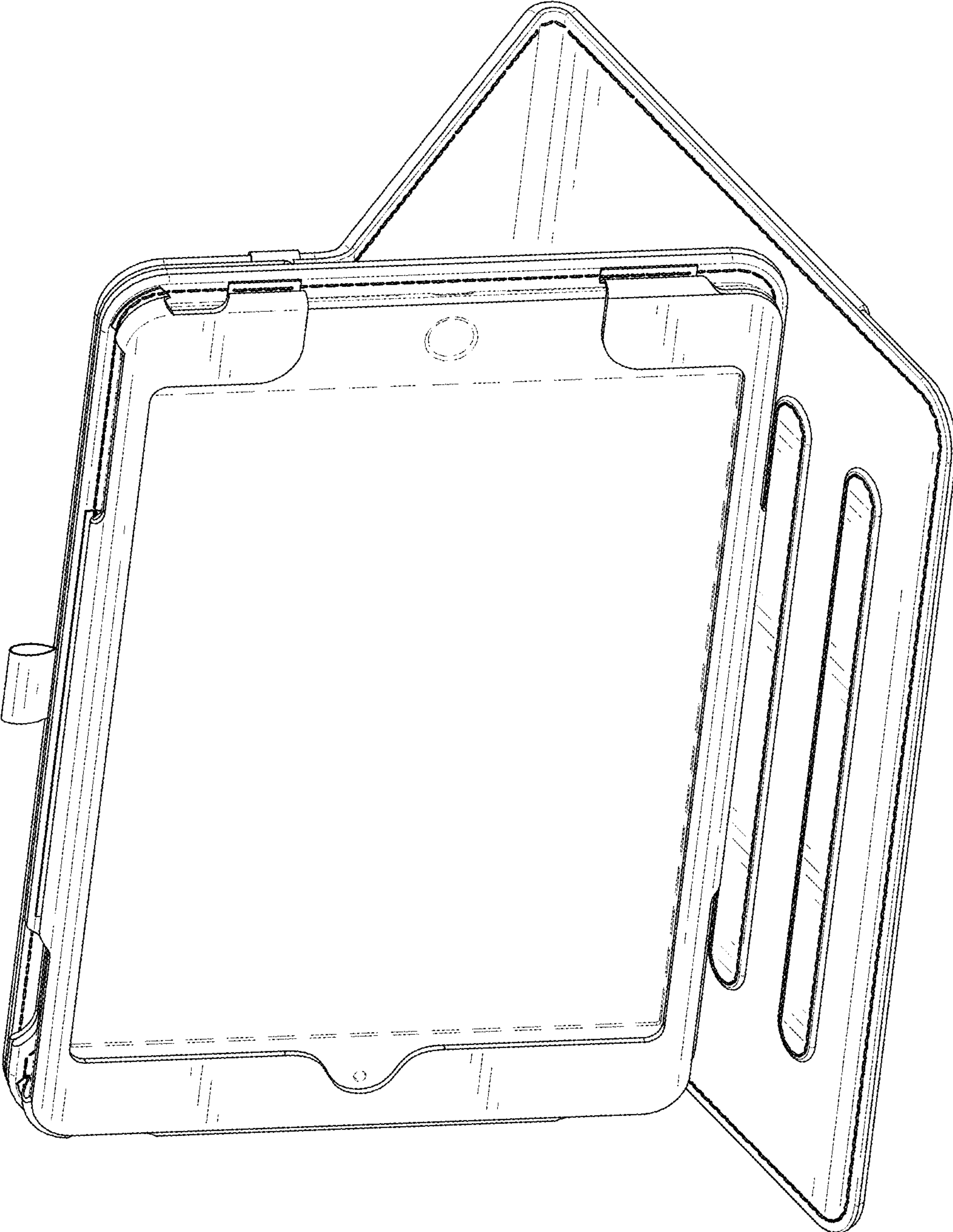


FIG. 11

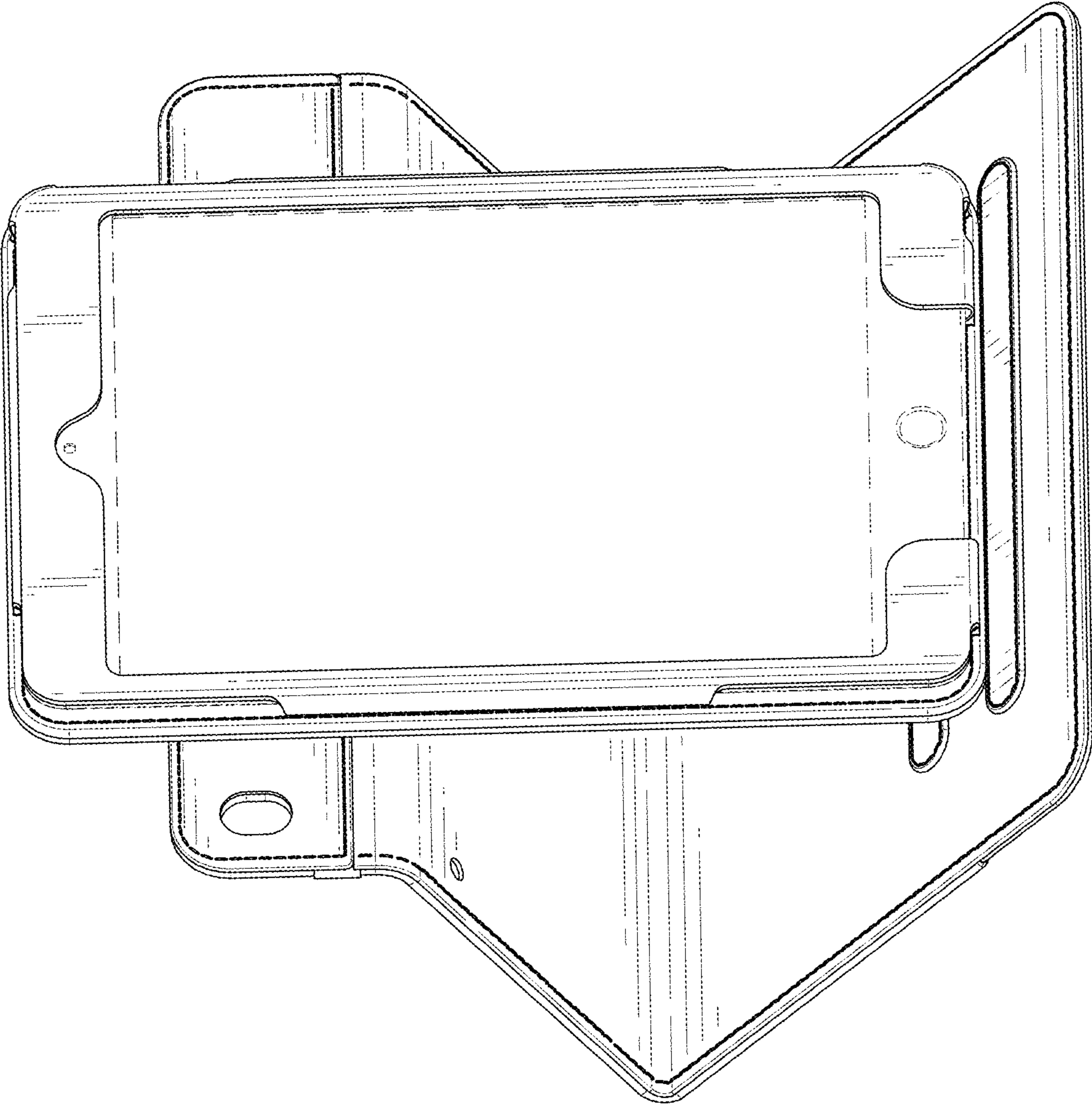


FIG. 12

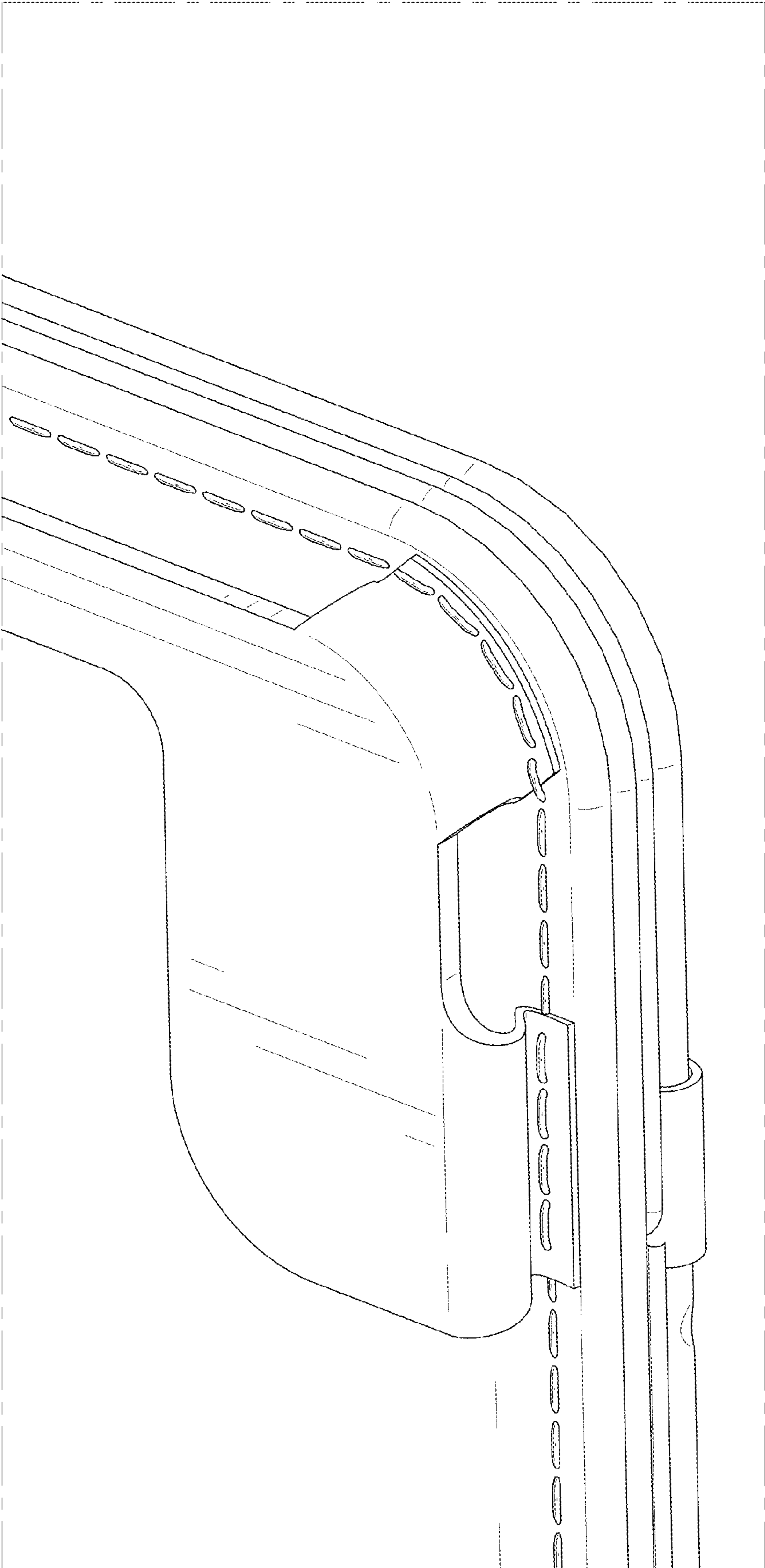


FIG. 13