



US00D900110S

(12) **United States Design Patent** (10) **Patent No.:** **US D900,110 S**
Wu (45) **Date of Patent:** **** Oct. 27, 2020**

(54) **USB HUB**

(71) Applicant: **Shihong Wu**, Guangxi (CN)

(72) Inventor: **Shihong Wu**, Guangxi (CN)

(73) Assignee: **DONGGUAN KINGTRON ELECTRONICS TECHNOLOGY CO., LTD**, Dongguan (CN)

(**) Term: **15 Years**

(21) Appl. No.: **29/740,148**

(22) Filed: **Jul. 1, 2020**

(51) **LOC (12) Cl.** **14-99**

(52) **U.S. Cl.**
USPC **D14/433**

(58) **Field of Classification Search**
USPC D14/240, 242, 356, 357, 358, 378, 383, D14/384, 385, 386, 433, 434, 435.1, D14/480.1, 480.3, 480.4, 480.5, 480.6, D14/480.7; D13/103, 107, 108, 110, 146, D13/139.6–139.8, 147, 184; D18/12, D18/12.1, 12.3

CPC H01R 27/02; H01R 25/003; H01R 25/006; H01R 31/005; H01R 13/60; H01R 13/6658; H01R 13/72; G06F 1/1607; G06F 1/1632; G06F 1/1684; G06F 1/266; G06F 11/325; G06F 13/00; G06F 13/12; G06F 13/14; G06F 13/20; G06F 13/382; G06F 13/4022; G06F 9/4413

See application file for complete search history.

(56) **References Cited**

U.S. PATENT DOCUMENTS

D454,110 S	*	3/2002	Andre	D13/110
D665,734 S	*	8/2012	Fitch	D13/107
D772,878 S	*	11/2016	Chiang	D14/433
D797,747 S	*	9/2017	Xu	D14/433
D837,790 S	*	1/2019	Wu	D14/435
D847,811 S	*	5/2019	Shim	D14/356
D864,966 S	*	10/2019	Sang	D14/434
D878,375 S	*	3/2020	Turksu	D14/433
D880,480 S	*	4/2020	Liao	D14/433
D883,293 S		5/2020	Zhang		
D883,983 S	*	5/2020	Zhang	D14/433
D885,337 S	*	5/2020	Xu	D13/108
D886,054 S	*	6/2020	Liao	D13/108
D890,151 S	*	7/2020	Gao	D14/240

* cited by examiner

Primary Examiner — Austin Murphy

(74) *Attorney, Agent, or Firm* — Justin Lampel

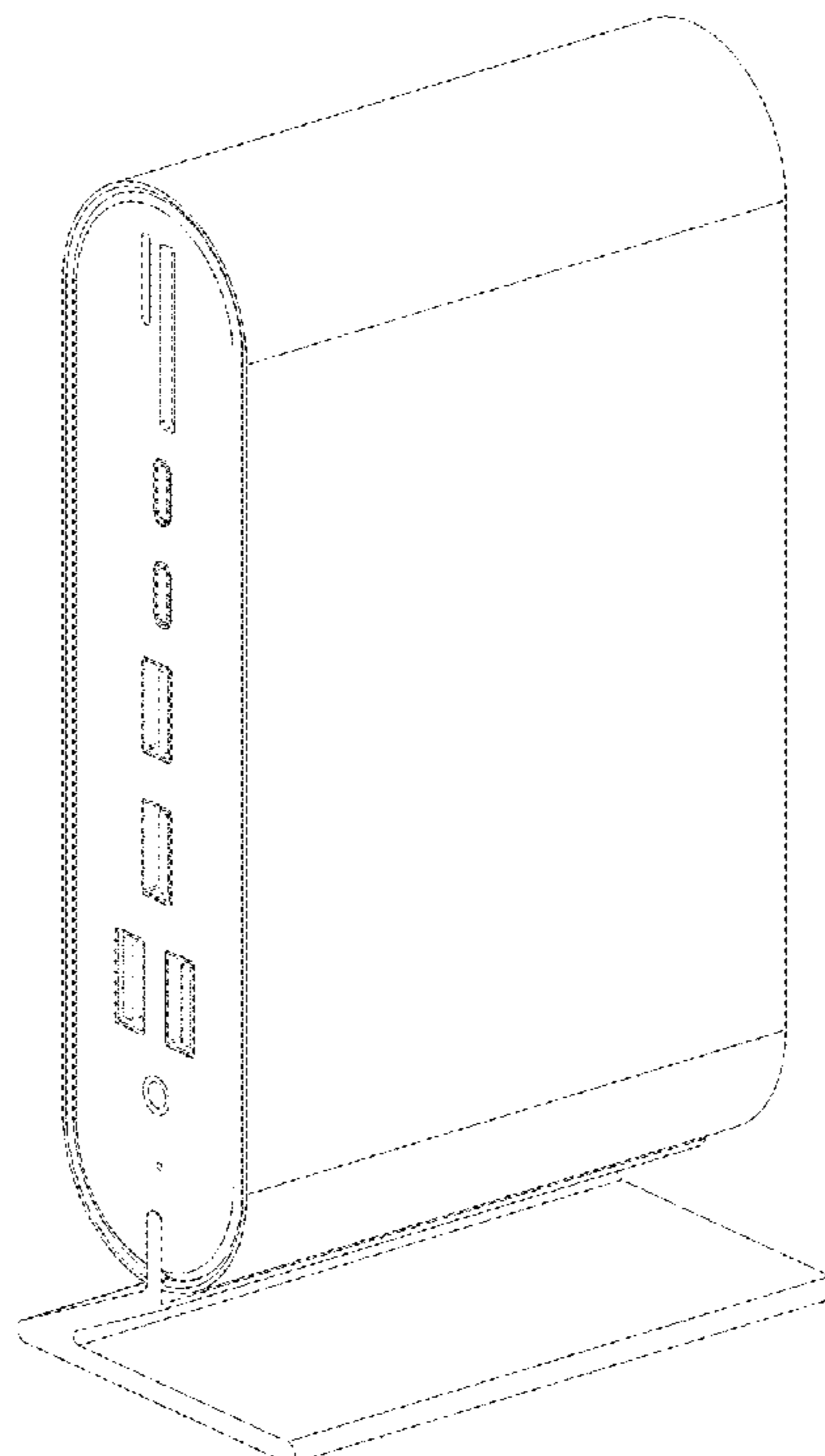
(57) **CLAIM**

The ornamental design for a USB HUB, as shown and described.

DESCRIPTION

FIG. 1 is a perspective view of a USB HUB, showing the claimed design;
FIG. 2 is a top plan view thereof;
FIG. 3 is a left side view thereof;
FIG. 4 is a front elevational view thereof;
FIG. 5 is a right side view thereof;
FIG. 6 is a rear elevational view thereof; and,
FIG. 7 is a bottom plan view thereof.

1 Claim, 7 Drawing Sheets



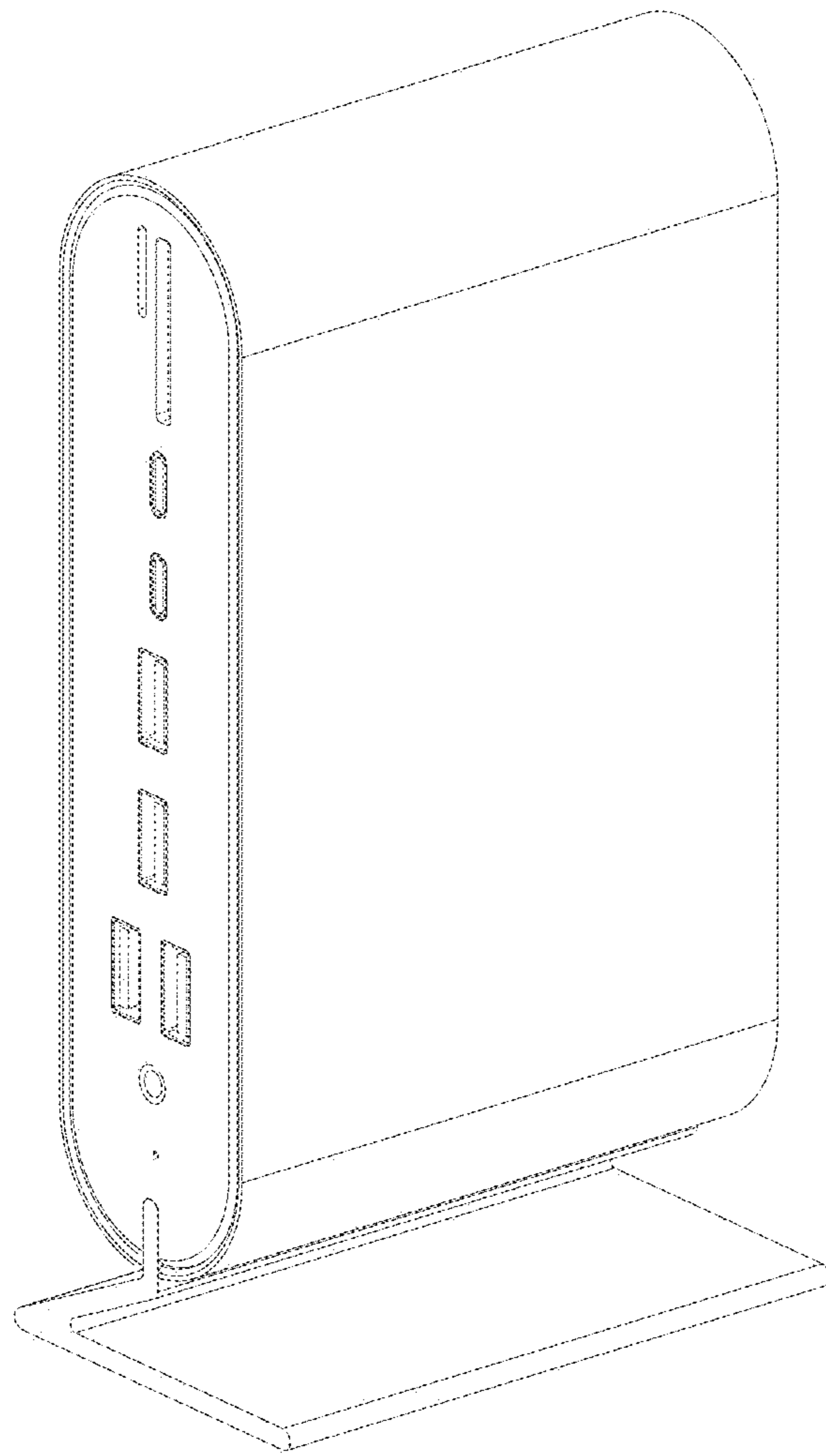


FIG.1

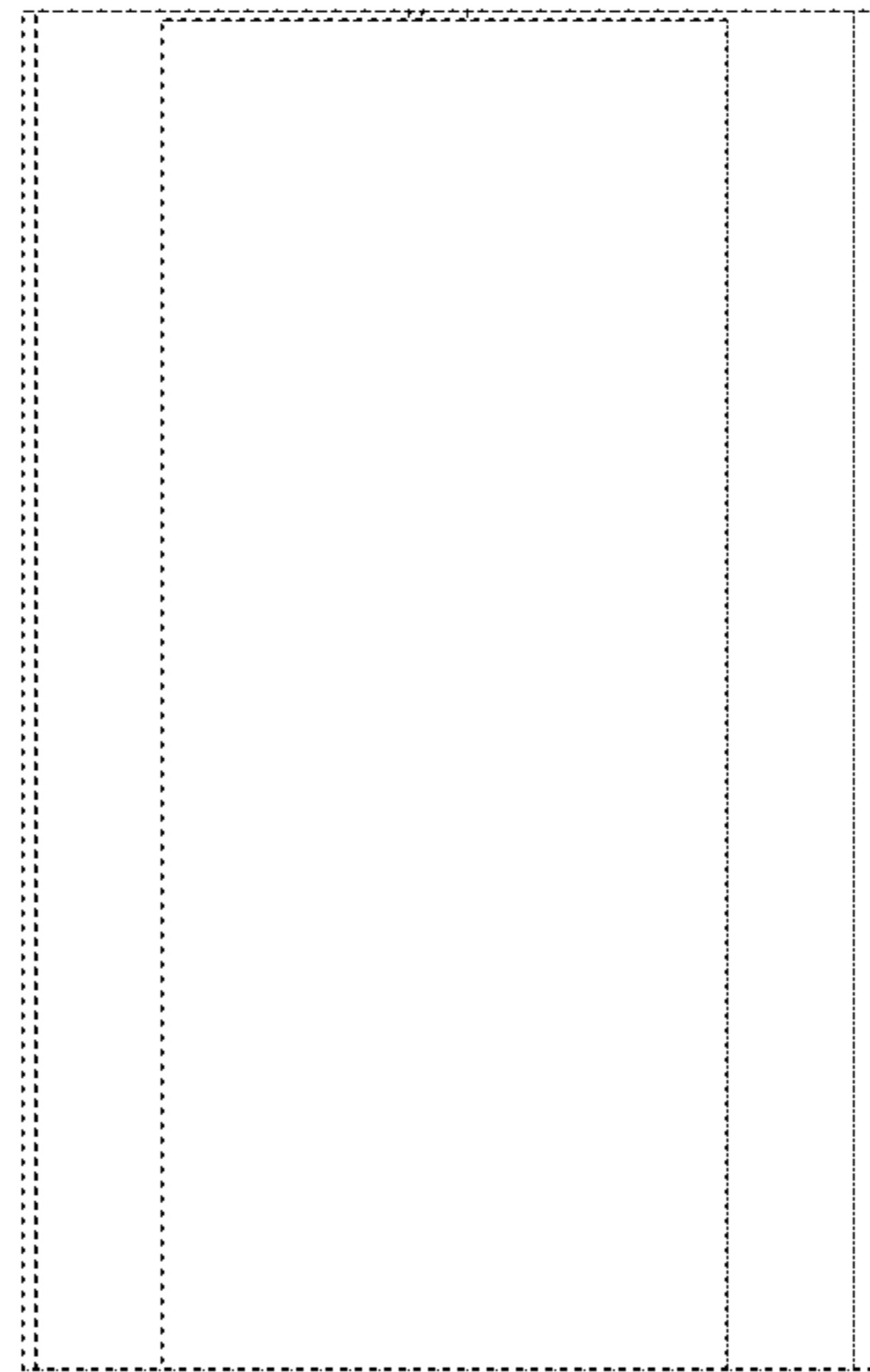


FIG.2



FIG.3

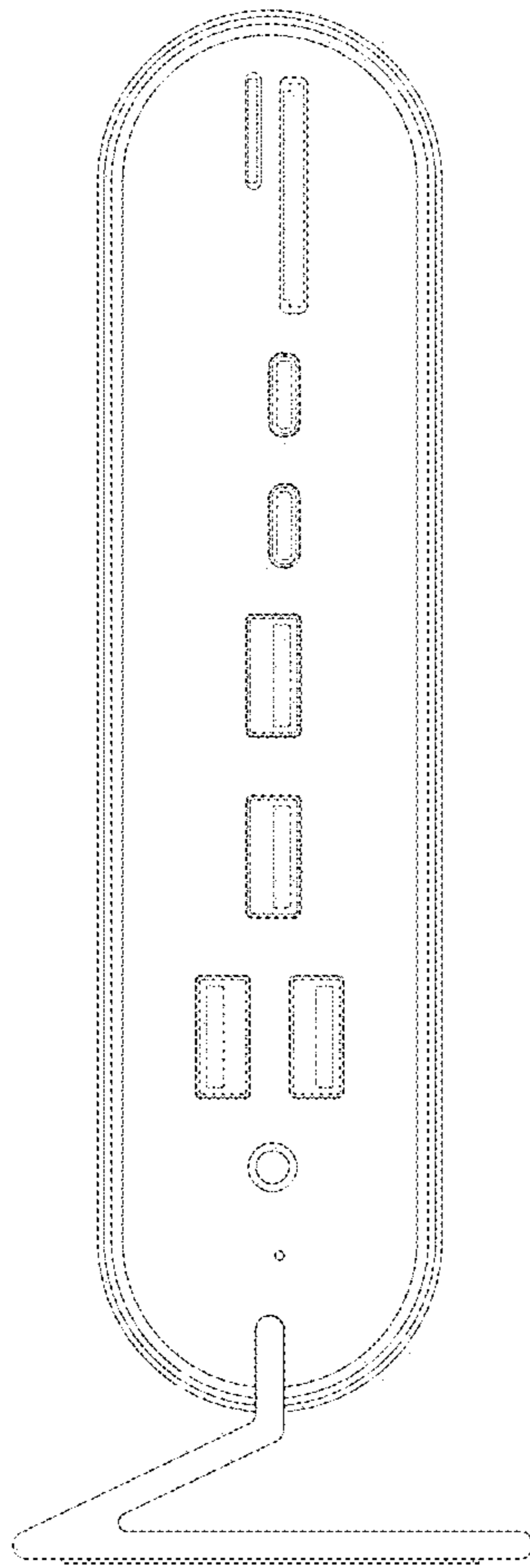


FIG. 4



FIG.5

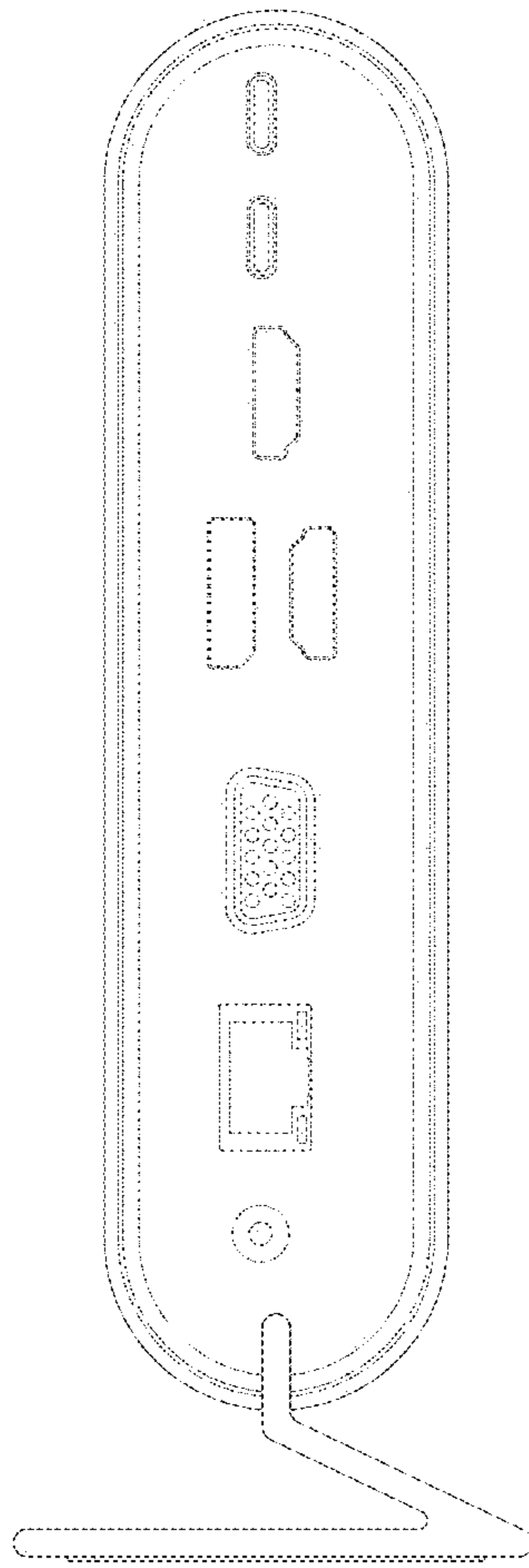


FIG. 6

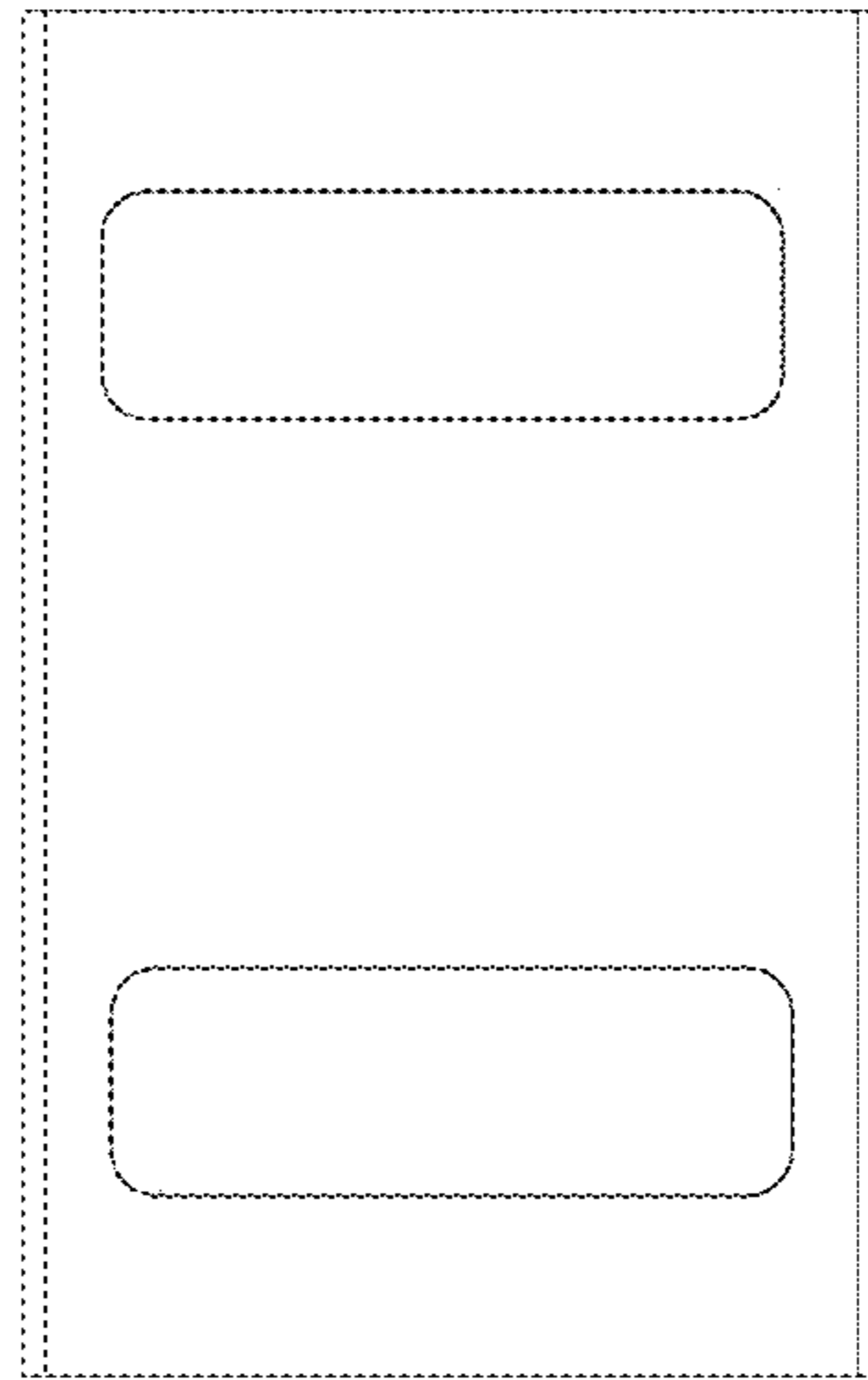


FIG. 7