



US00D900109S

(12) **United States Design Patent** (10) **Patent No.:** **US D900,109 S**
Wu (45) **Date of Patent:** **** Oct. 27, 2020**

(54) **USB HUB**
(71) Applicant: **Shihong Wu**, Guangxi (CN)
(72) Inventor: **Shihong Wu**, Guangxi (CN)
(73) Assignee: **DONGGUAN KINGTRON ELECTRONICS TECHNOLOGY CO., LTD**, Dongguan (CN)
(**) Term: **15 Years**
(21) Appl. No.: **29/740,146**

D863,310 S * 10/2019 Liao D14/433
D864,209 S * 10/2019 Wang D14/434
D879,779 S * 3/2020 Liao D14/433
D880,479 S * 4/2020 Liao D14/433
D881,890 S * 4/2020 Wen D14/433
D883,288 S * 5/2020 Zhan D14/433
D883,293 S * 5/2020 Zhang
D886,824 S * 6/2020 Zhan D14/433
D886,825 S * 6/2020 Zhang D14/433
D889,469 S * 7/2020 Zhang D14/433
D889,470 S * 7/2020 Zhang D14/433
D892,801 S * 8/2020 Liu D14/434
D893,488 S * 8/2020 Liu D14/433
D895,625 * 9/2020 Turksu D14/433

* cited by examiner

(22) Filed: **Jul. 1, 2020**
(51) **LOC (12) Cl.** **14-99**
(52) **U.S. Cl.**
USPC **D14/433**
(58) **Field of Classification Search**
USPC D14/240, 242, 356, 357, 358, 378, 383,
D14/384, 385, 386, 433, 434, 435.1,
D14/480.1, 480.3, 480.4, 480.5, 480.6,
D14/480.7; D13/103, 107, 108, 110, 146,
D13/139.6-139.8, 147, 184; D18/12,
D18/12.1, 12.3
CPC H01R 27/02; H01R 25/003; H01R 25/006;
H01R 31/005; H01R 13/60; H01R
13/6658; H01R 13/72; G06F 1/1607;
G06F 1/1632; G06F 1/1684; G06F 1/266;
G06F 11/325; G06F 13/00; G06F 13/12;
G06F 13/14; G06F 13/20; G06F 13/382;
G06F 13/4022; G06F 9/4413
See application file for complete search history.

Primary Examiner — Austin Murphy

(74) *Attorney, Agent, or Firm* — Justin Lampel

(56) **References Cited**

U.S. PATENT DOCUMENTS

D847,139 S * 4/2019 Wang D14/433
D854,020 S * 7/2019 Liao D14/434

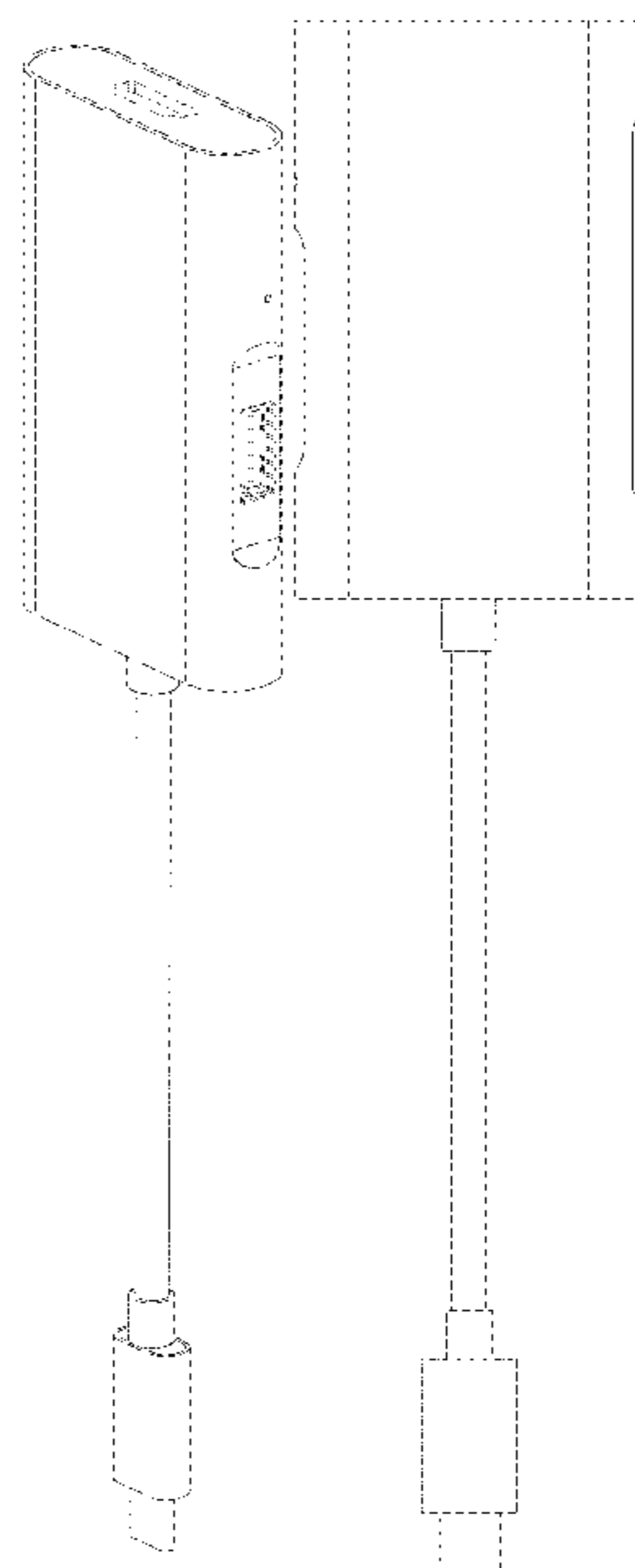
(57) **CLAIM**

The ornamental design for a USB hub, as shown and described.

DESCRIPTION

FIG. 1 is a perspective view of a USB hub, showing the claimed design;
FIG. 2 is a top plan view thereof;
FIG. 3 is a left side view thereof;
FIG. 4 is a front elevational view thereof;
FIG. 5 is a right side view thereof;
FIG. 6 is a rear elevational view thereof; and,
FIG. 7 is a bottom plan view thereof.

1 Claim, 7 Drawing Sheets



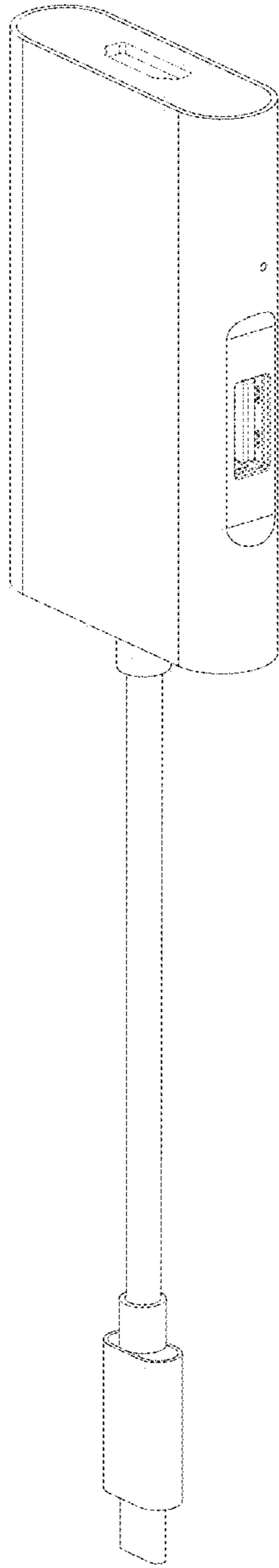


FIG.1

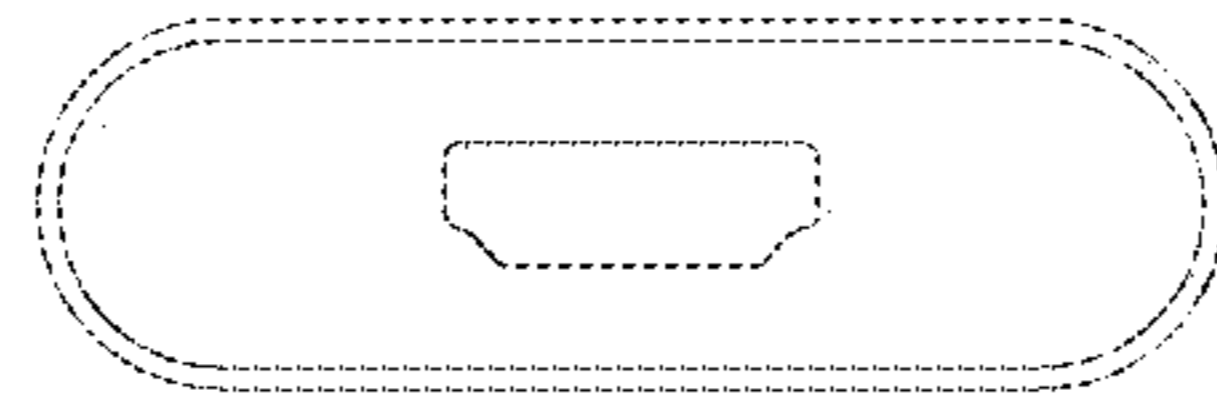


FIG. 2

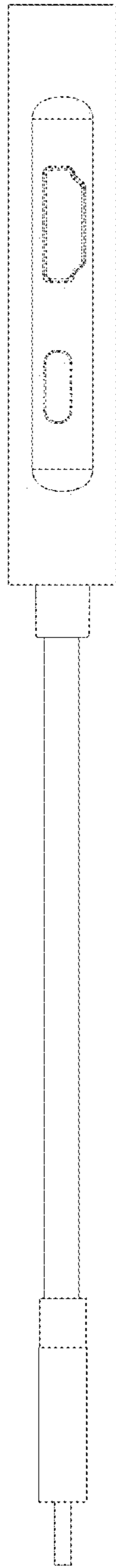


FIG. 3

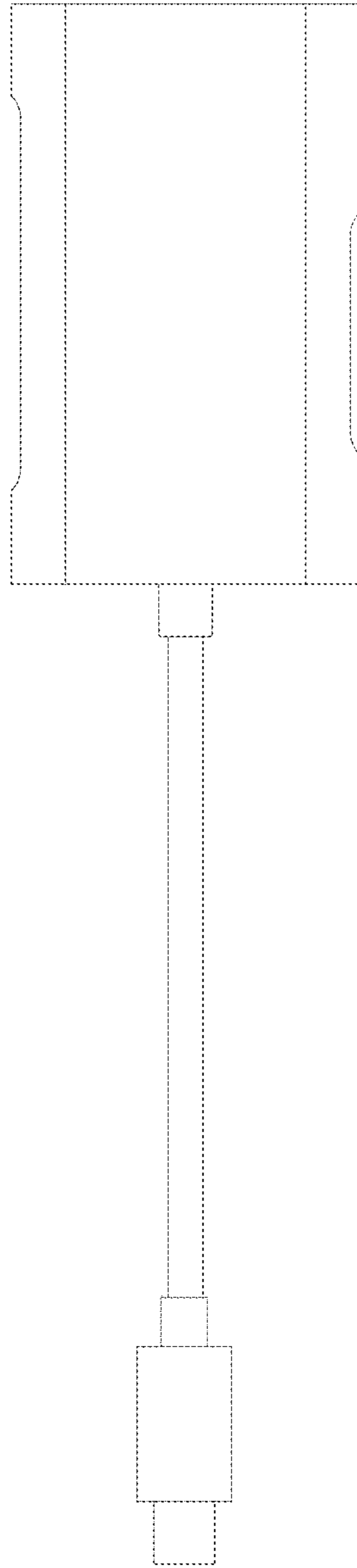


FIG. 4

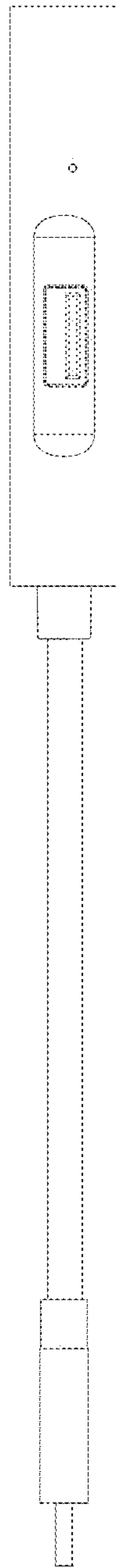


FIG. 5

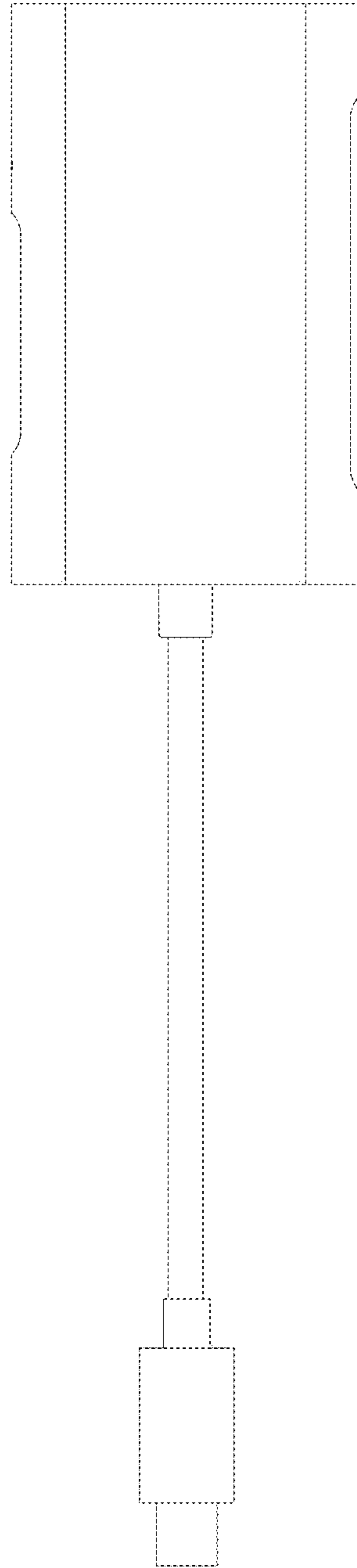


FIG. 6

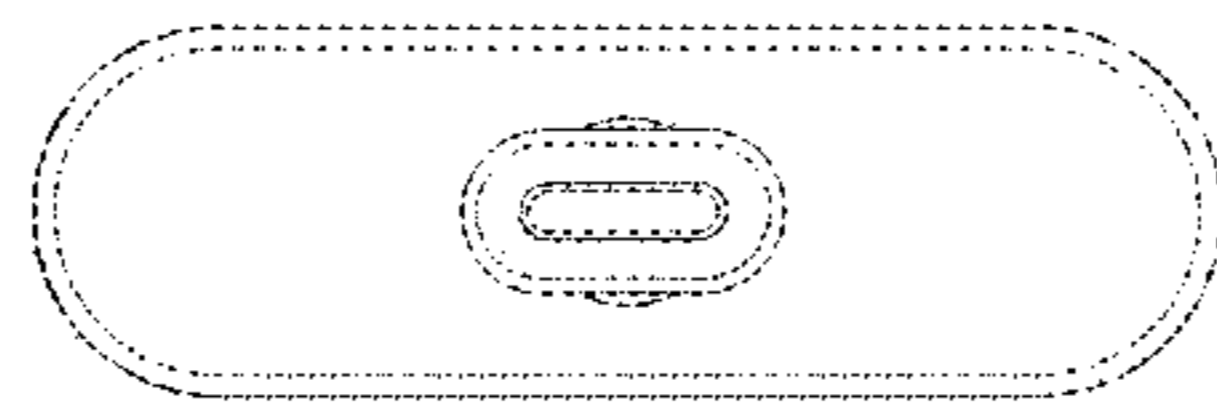


FIG. 7