



US00D900106S

(12) **United States Design Patent**
Green et al.

(10) **Patent No.:** **US D900,106 S**
(45) **Date of Patent:** **** Oct. 27, 2020**

(54) **ELECTRONIC DEVICE ADAPTER**

- (71) Applicant: **Amazon Technologies, Inc.**, Seattle, WA (US)
- (72) Inventors: **Christopher Green**, San Francisco, CA (US); **Marc Rene Walliser**, San Francisco, CA (US); **Matthew Michael Seflic**, San Jose, CA (US)
- (73) Assignee: **Amazon Technologies, Inc.**, Seattle, WA (US)
- (**) Term: **15 Years**
- (21) Appl. No.: **29/692,475**
- (22) Filed: **May 24, 2019**

Related U.S. Application Data

- (62) Division of application No. 29/609,163, filed on Jun. 28, 2017, now Pat. No. Des. 852,797.
- (51) **LOC (12) Cl.** **14-02**
- (52) **U.S. Cl.**
USPC **D14/433**
- (58) **Field of Classification Search**
USPC D14/356, 432-434, 453, 454, 511, 203.8, D14/209.1, 238.1, 240, 125; 439/638, 439/928, 105, 502; 710/303, 304; 361/679.41, 679.55, 679.56; D13/110, D13/133, 146

(Continued)

(56) **References Cited**

U.S. PATENT DOCUMENTS

- D680,539 S 4/2013 Kim
 - D682,835 S 5/2013 Daniel
- (Continued)

OTHER PUBLICATIONS

The Indian Office Action dated Jan. 2, 2018 for Indian design application No. 300141, a counterpart foreign application of Design U.S. Appl. No. 29/609,163.

Primary Examiner — Austin Murphy
(74) *Attorney, Agent, or Firm* — Lee & Hayes, P.C.

(57) **CLAIM**

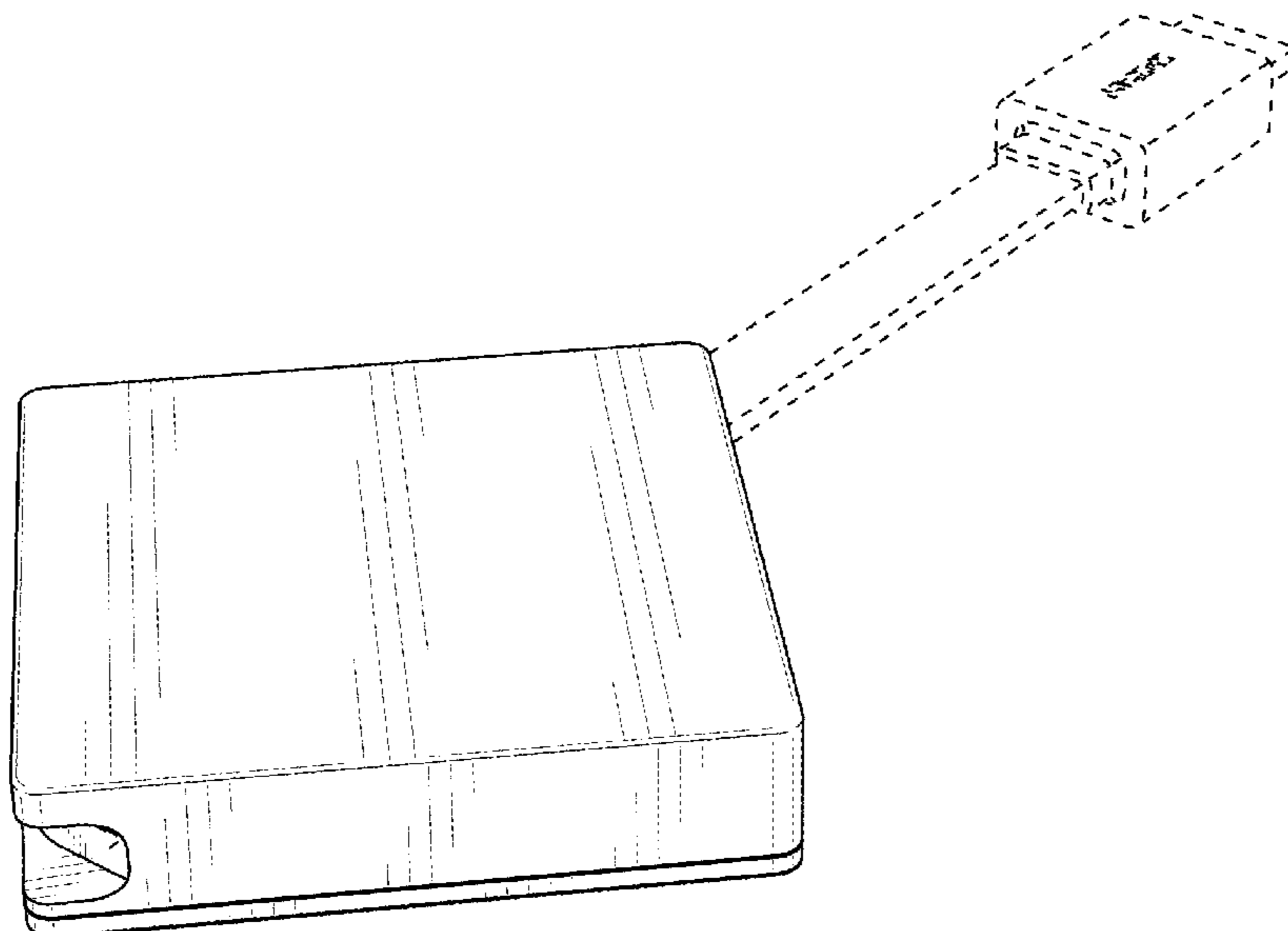
The ornamental design for an electronic device adapter, as shown and described.

DESCRIPTION

FIG. 1 is a bottom, front perspective view of a first embodiment of an electronic device adapter. The stippled portions of the first embodiment represent textured (e.g., a matte texture) portions of the electronic device adapter; FIG. 2 is a top, back perspective view thereof. The shading shown on the top surface of the first embodiment represents a high gloss surface of the electronic device adapter; FIG. 3 is a bottom, back perspective view thereof; FIG. 4 is a front view thereof; FIG. 5 is a back view thereof; FIG. 6 is a left-side view thereof; FIG. 7 is a right-side view thereof; FIG. 8 is a top view thereof; FIG. 9 is a bottom view thereof; FIG. 10 is a bottom, front perspective view of a second embodiment of an electronic device adapter; FIG. 11 is a top, back perspective view thereof; FIG. 12 is a bottom, back perspective view thereof; FIG. 13 is a front view thereof; FIG. 14 is a back view thereof; FIG. 15 is a left-side view thereof; FIG. 16 is a right-side view thereof; FIG. 17 is a top view thereof; and, FIG. 18 is a bottom view thereof.

The dashed broken lines depict portions of the electronic device adapter that form no part of the claimed design.

1 Claim, 18 Drawing Sheets



(58) **Field of Classification Search**

CPC ... H04L 12/2832; H04L 12/2838; G06F 3/00;
G06F 5/00; G06F 13/14

See application file for complete search history.

(56) **References Cited**

U.S. PATENT DOCUMENTS

D731,489 S	6/2015	Langhammer et al.	
D745,523 S	12/2015	Magi	
D781,294 S	3/2017	Schwalbach et al.	
D784,340 S	4/2017	Laffon de Mazieres et al.	
D798,301 S	9/2017	Kujawski et al.	
D828,356 S	9/2018	Xie	
D828,839 S	9/2018	Zhang	
D828,840 S	9/2018	Zhang	
D828,841 S	9/2018	Zhang	
D830,869 S *	10/2018	Siminoff	D10/106.1
D832,260 S	10/2018	Hutton et al.	
D832,849 S	11/2018	Kim et al.	
D836,114 S *	12/2018	Nangeroni	D14/432
D844,006 S *	3/2019	Molnar	D14/434
D845,953 S *	4/2019	Boehmer	D14/433
D852,797 S *	7/2019	Green	D14/433
D852,798 S *	7/2019	Biddle	D14/433
D854,018 S *	7/2019	Liao	D14/434
D864,145 S *	10/2019	Zhang	D14/155
D864,206 S *	10/2019	Wang	D14/433
D872,078 S *	1/2020	Wu	D14/358
D876,440 S *	2/2020	Nangeroni	D14/433
D876,441 S *	2/2020	Boehmer	D14/433
D879,034 S *	3/2020	Wu	D13/108

* cited by examiner

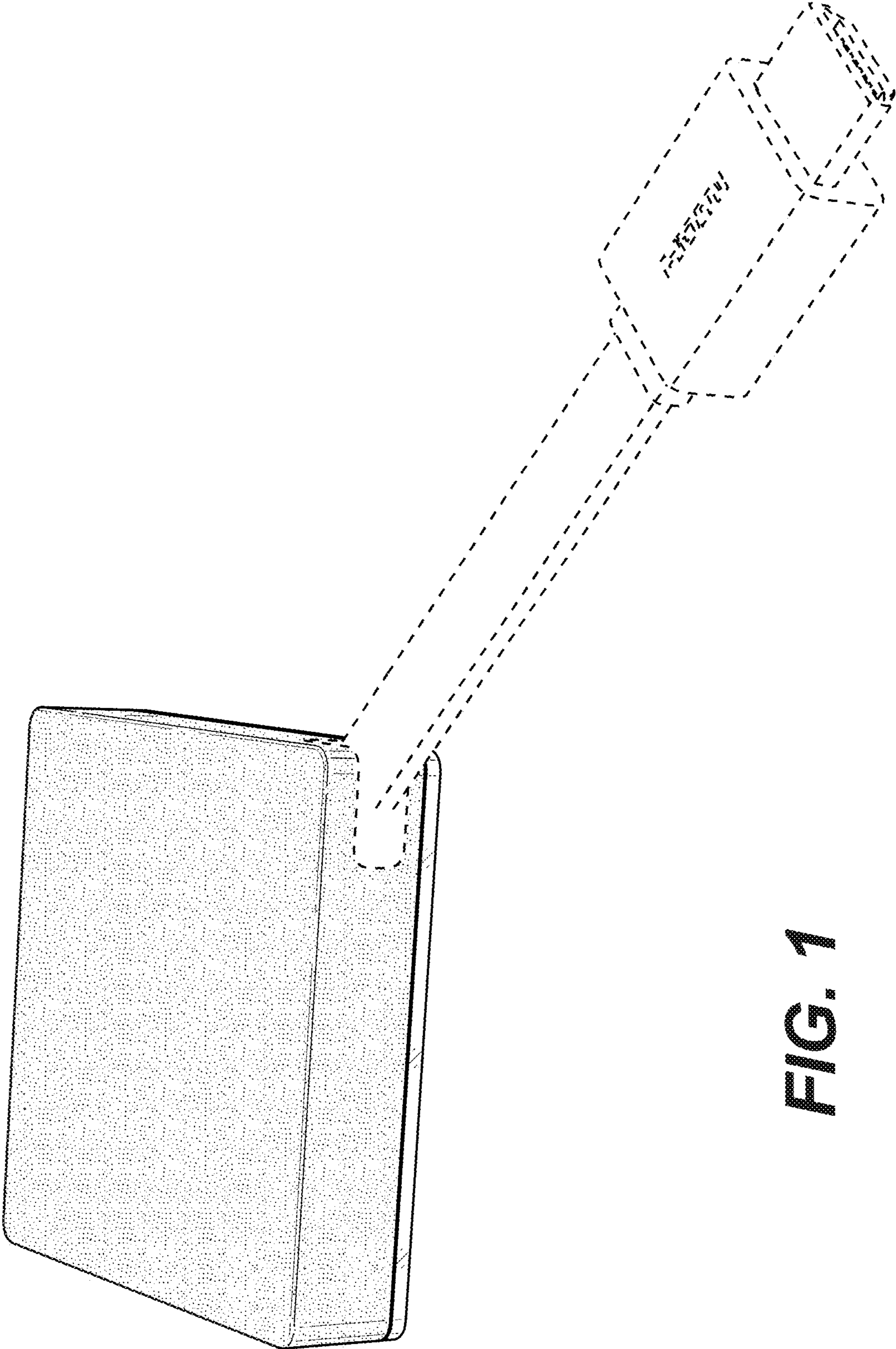


FIG. 1

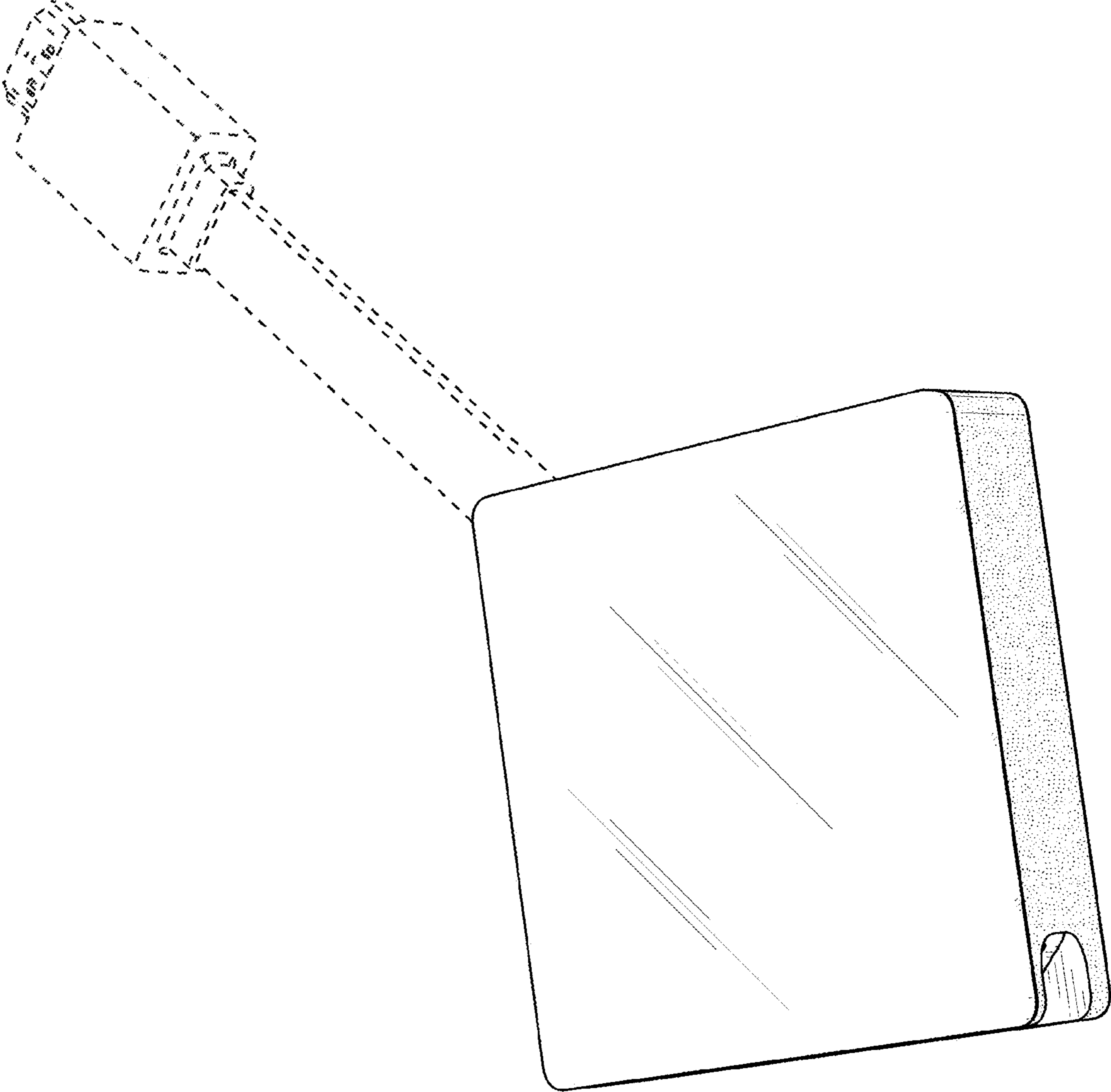


FIG. 2

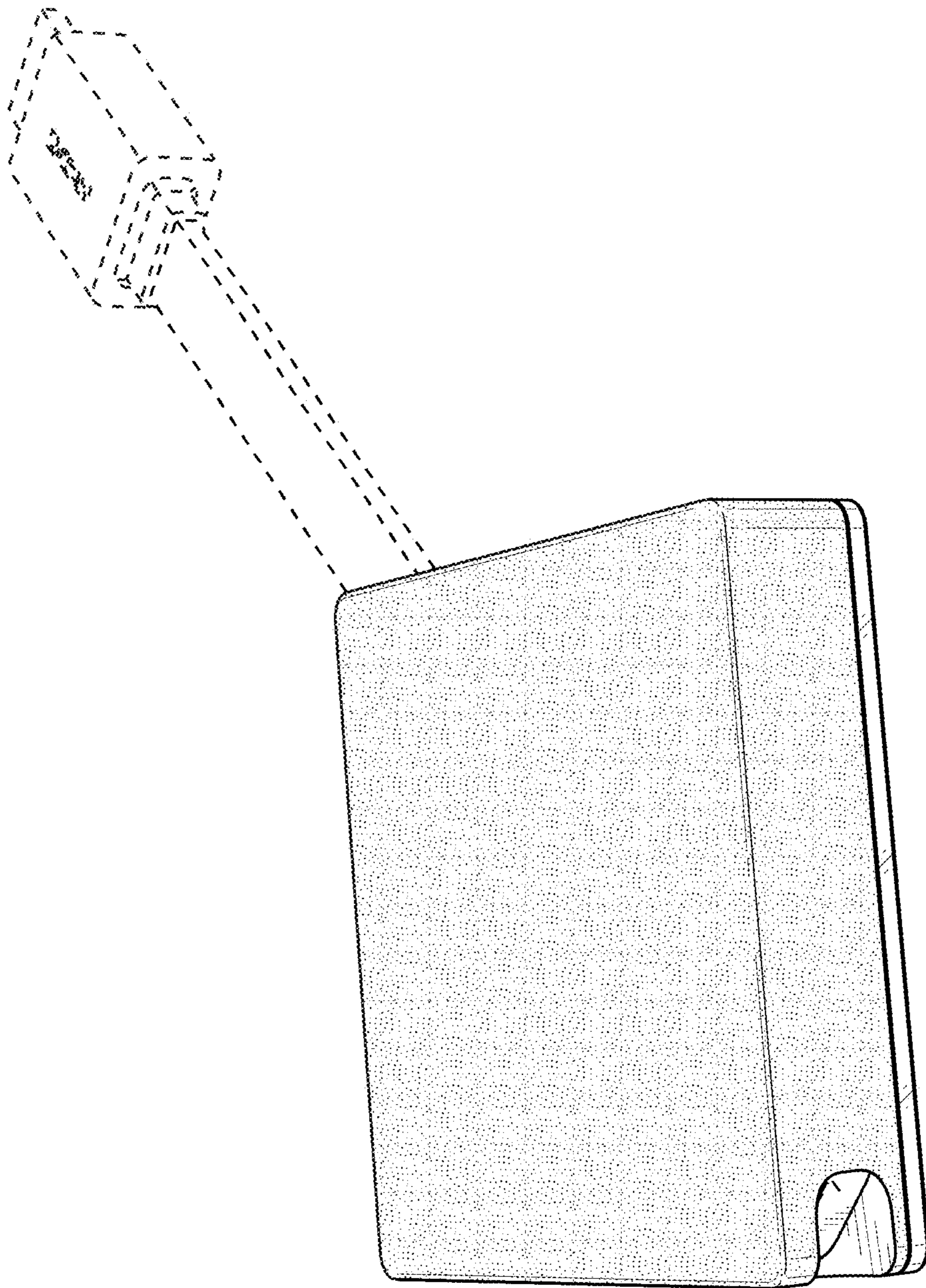


FIG. 3

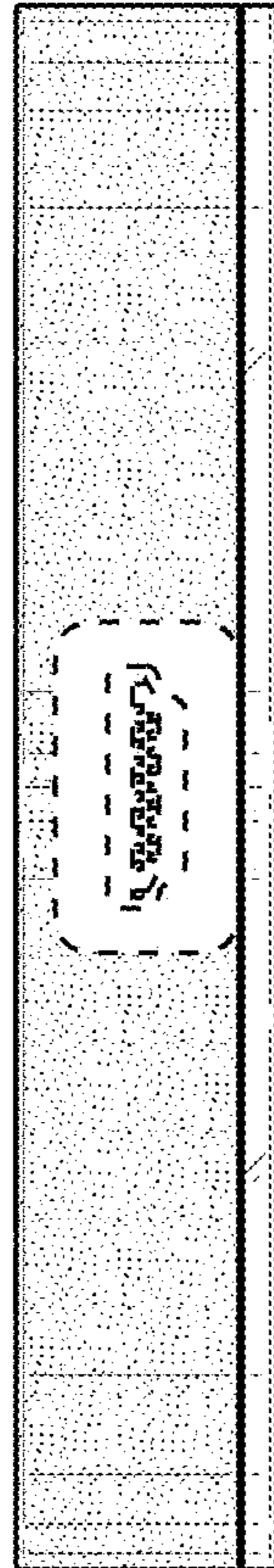


FIG. 4

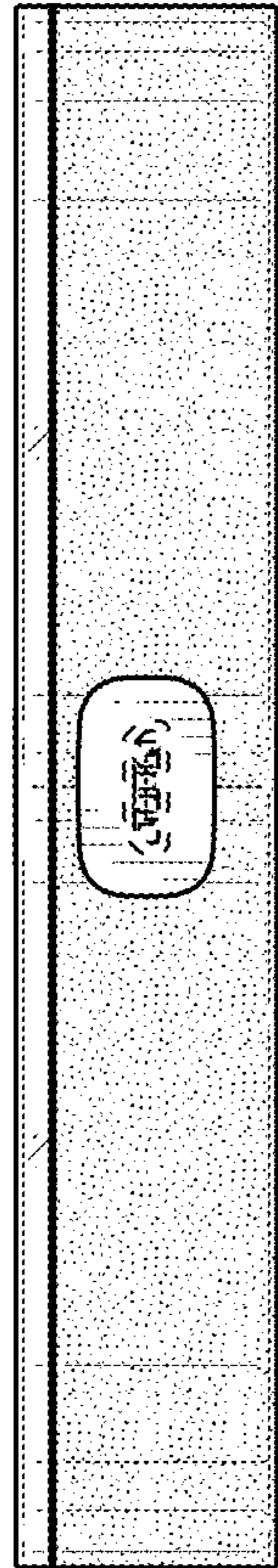


FIG. 5

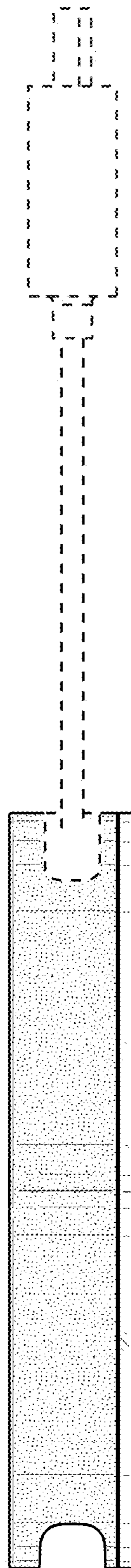


FIG. 6

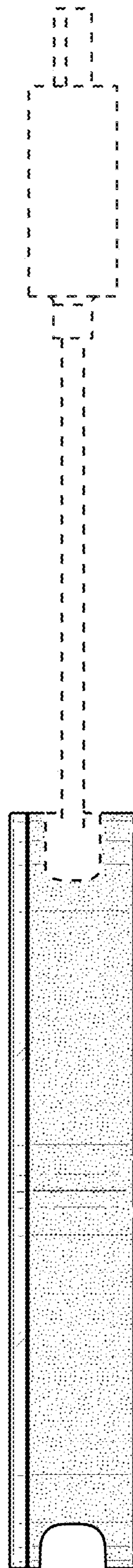


FIG. 7

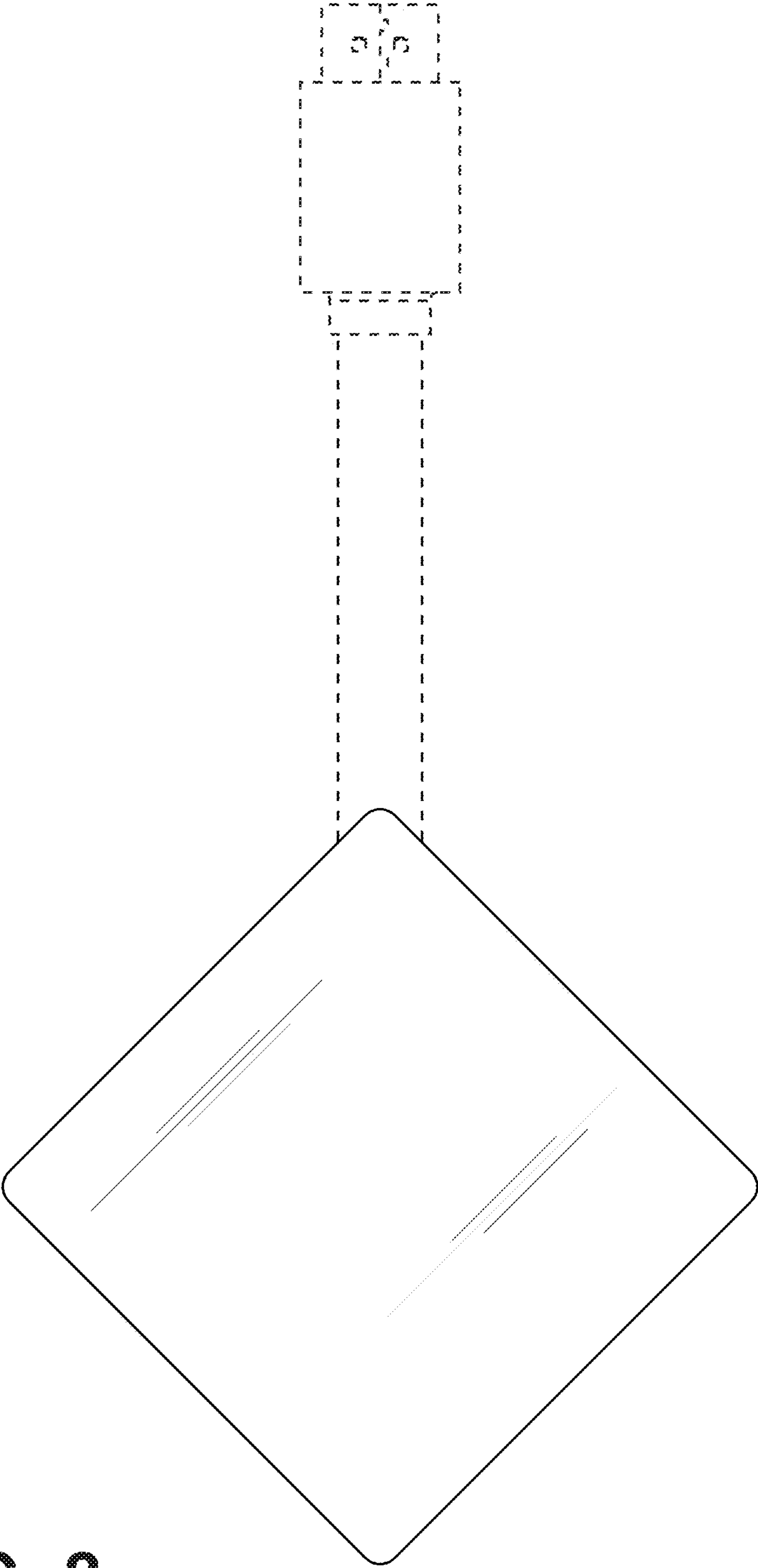


FIG. 8

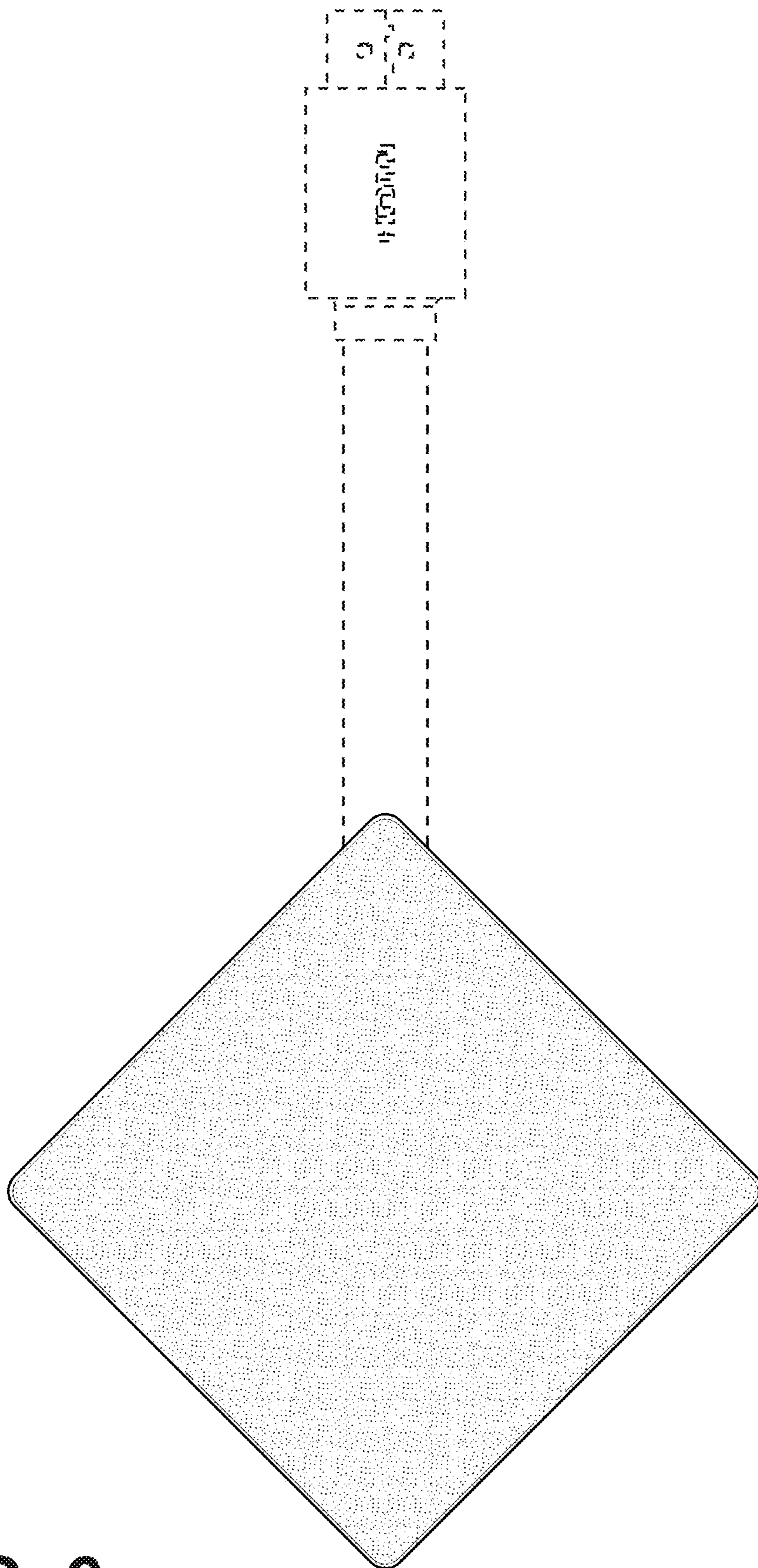


FIG. 9

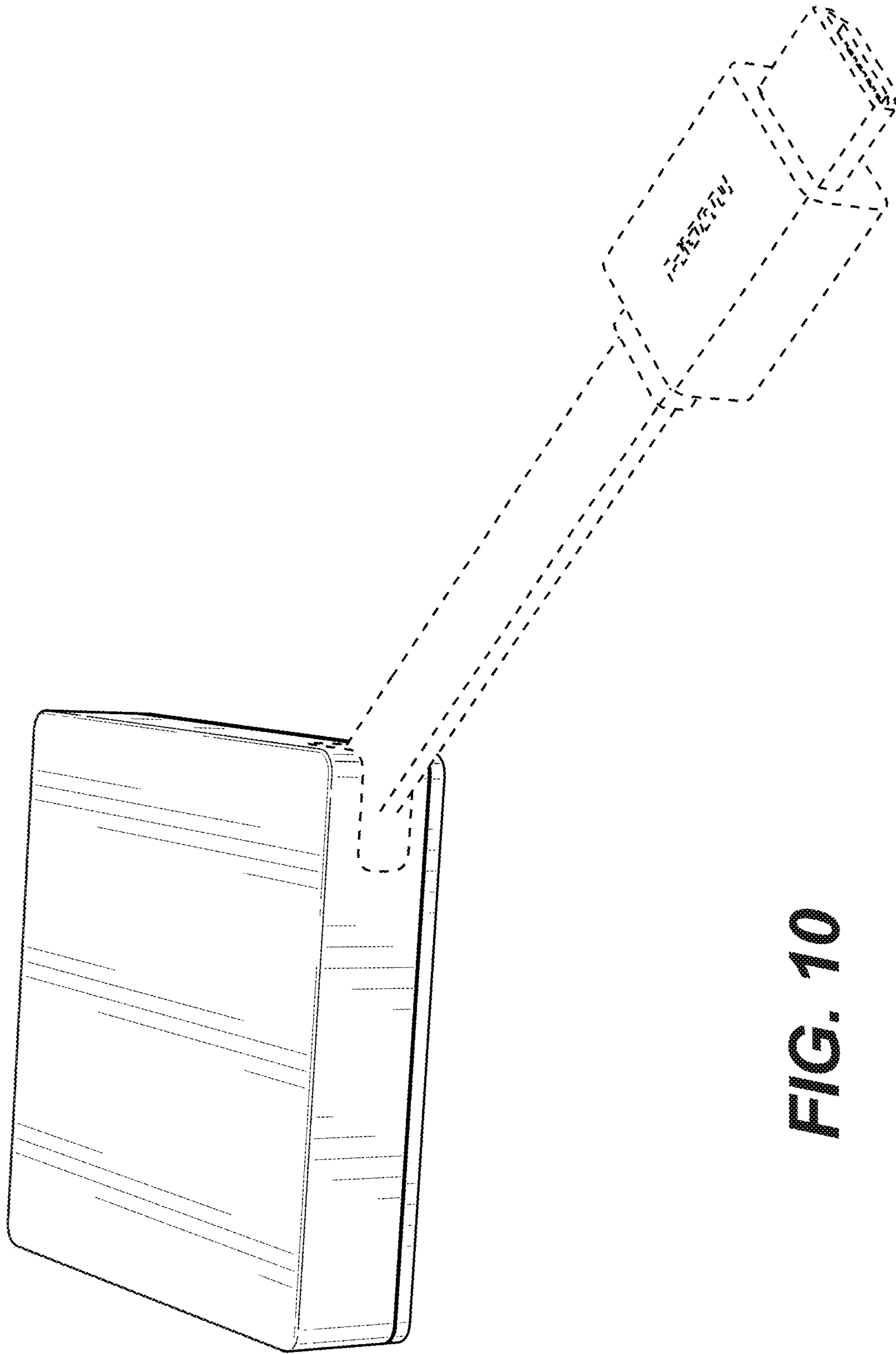


FIG. 10

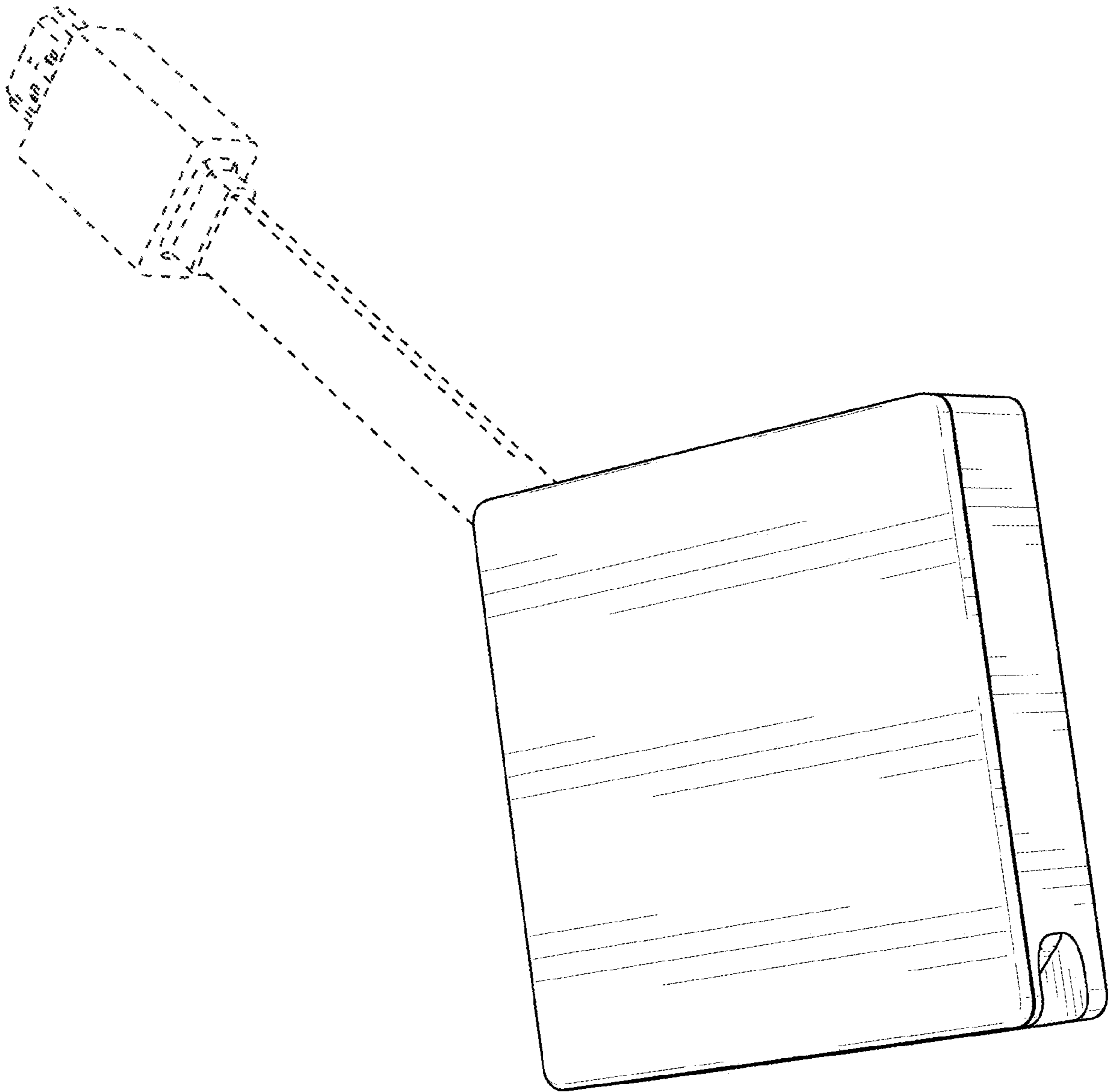


FIG. 11

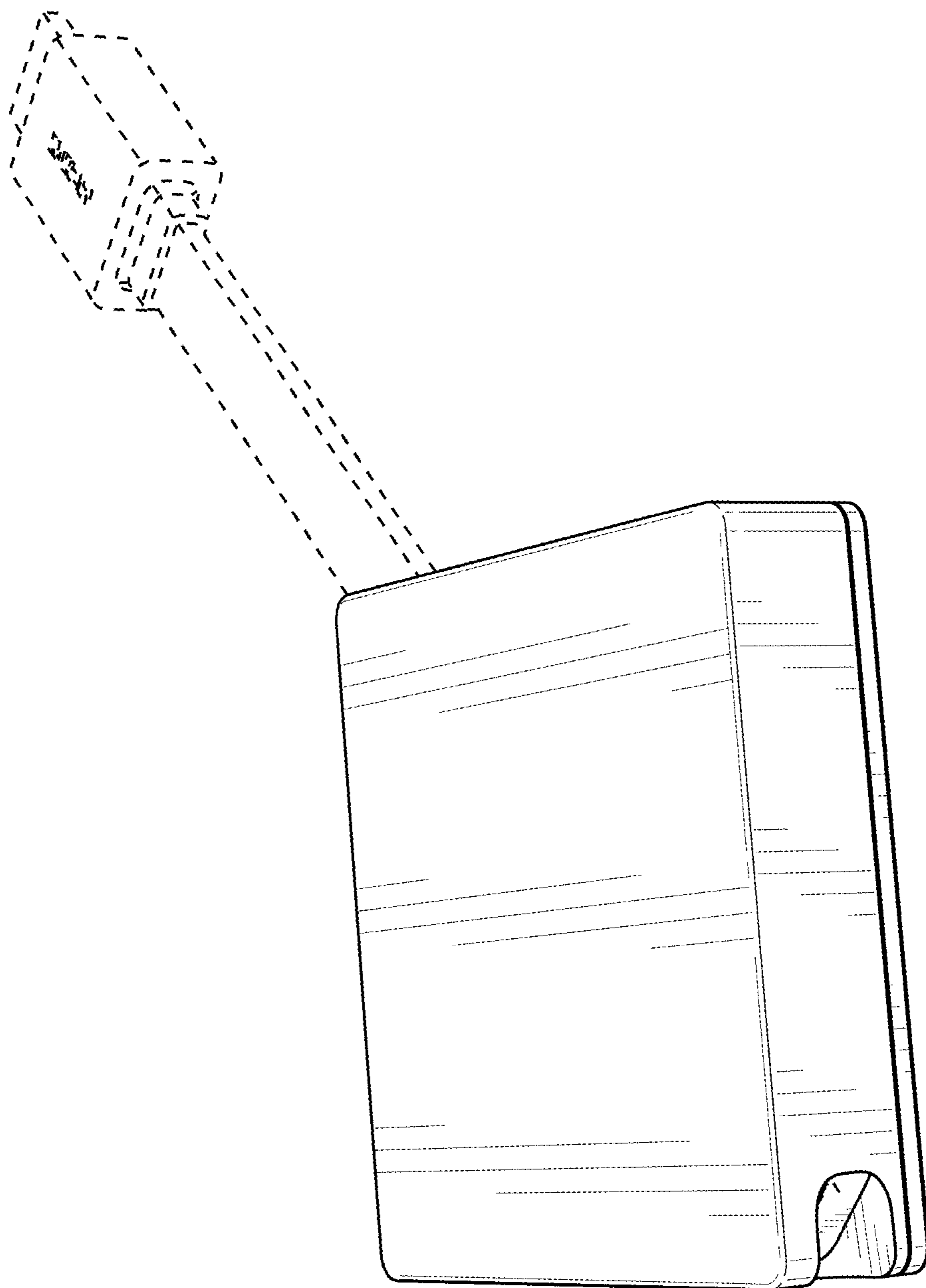


FIG. 12

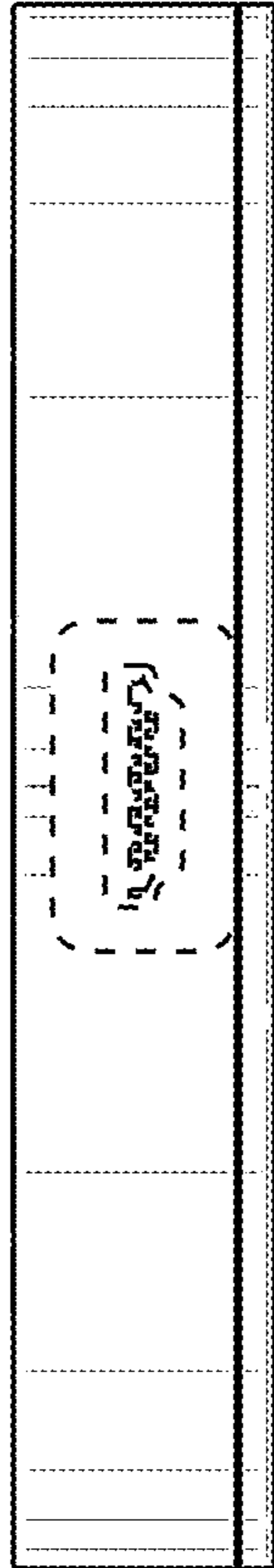


FIG. 13

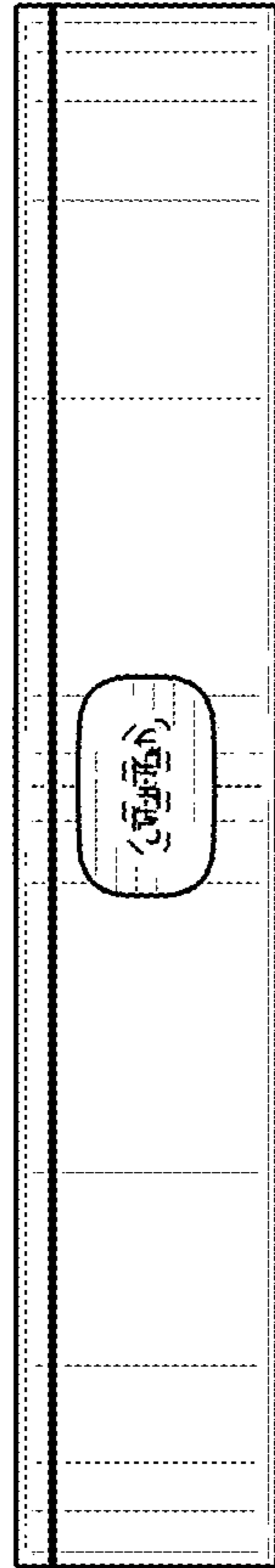


FIG. 14

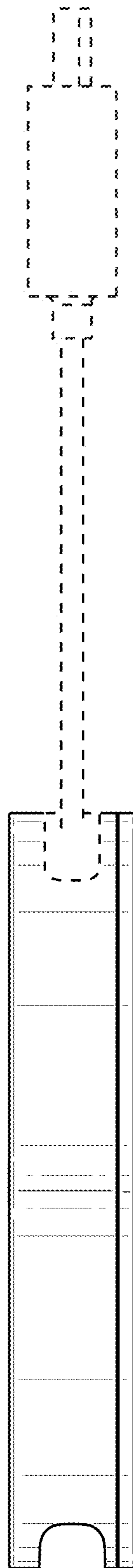


FIG. 15

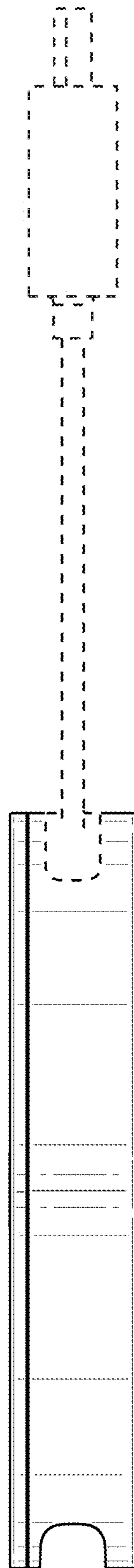


FIG. 16

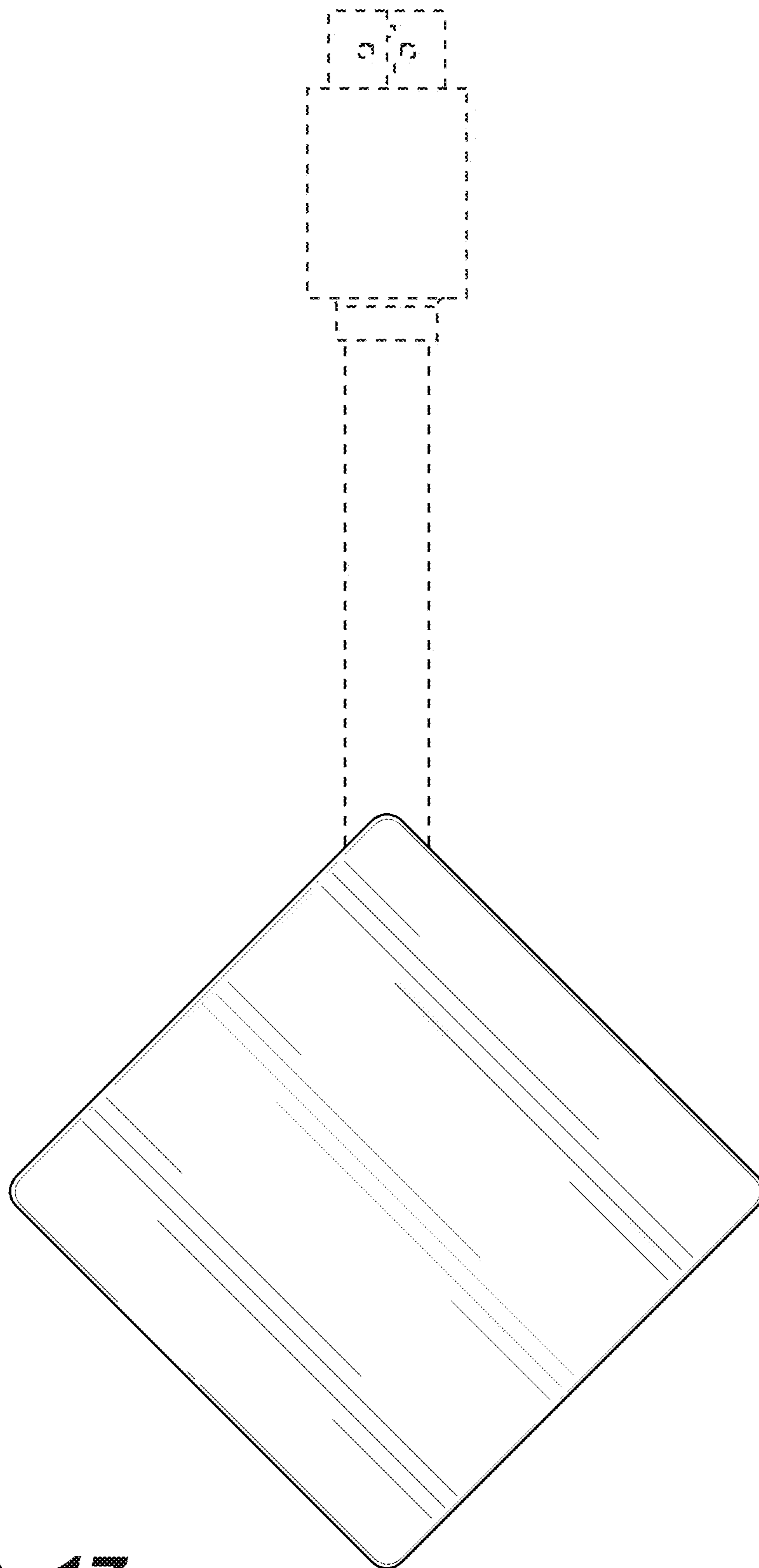


FIG. 17

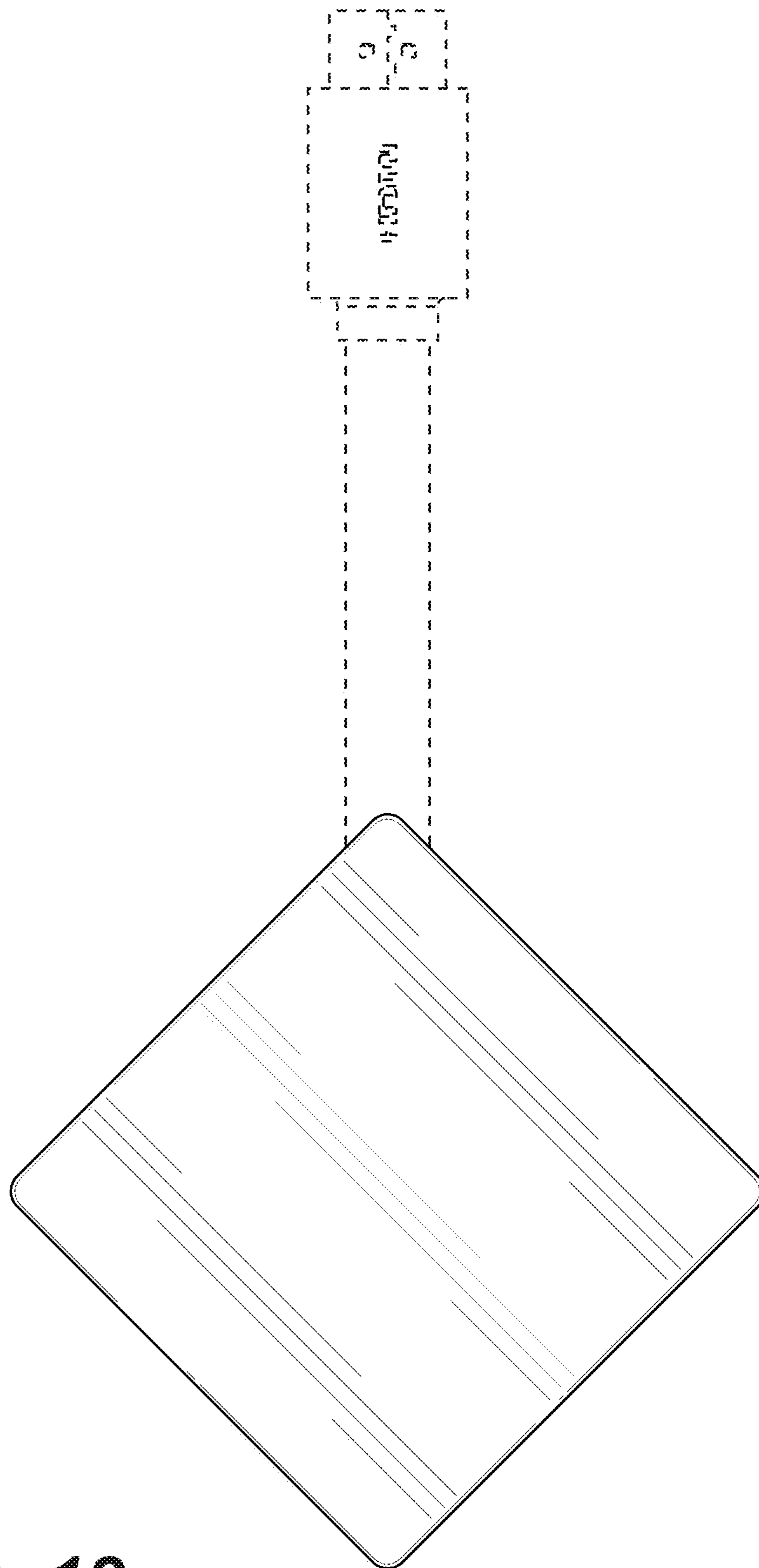


FIG. 18