



US00D900105S

(12) **United States Design Patent**
Zhang

(10) **Patent No.:** **US D900,105 S**

(45) **Date of Patent:** **** Oct. 27, 2020**

(54) **MULTI-FUNCTION HUB**

(71) Applicant: **C-SMARTLINK INFORMATION TECHNOLOGY CO., LIMITED**, Shenzhen (CN)

(72) Inventor: **Wenfeng Zhang**, Shenzhen (CN)

(73) Assignee: **C-SMARTLINK INFORMATION TECHNOLOGY CO., LIMITED**, Shenzhen (CN)

(**) Term: **15 Years**

(21) Appl. No.: **29/691,400**

(22) Filed: **May 16, 2019**

(30) **Foreign Application Priority Data**

Jan. 24, 2019 (CN) 2019 3 0041731

(51) **LOC (12) Cl.** **14-99**

(52) **U.S. Cl.**
USPC **D14/433**

(58) **Field of Classification Search**
USPC D14/433, 434, 435.1, 480.1-480.7, 436, D14/484.1, 155, 203.1-203.8, 240, 242, D14/133, 154; D13/107, 108
CPC G06F 13/122; G06F 13/382; G06F 13/385; G06F 13/4022; G06F 13/4282; G06F 1/1632; G06F 1/1684; H01R 25/006; H05K 5/0278; G06K 19/07732
See application file for complete search history.

(56) **References Cited**

U.S. PATENT DOCUMENTS

D413,574 S * 9/1999 Goto D13/146
D514,118 S * 1/2006 Christianson D14/496

D568,310 S *	5/2008	Franck	D14/240
D612,329 S *	3/2010	Guccione	D13/108
D717,243 S *	11/2014	Liu	D13/108
D793,957 S *	8/2017	Acosta Pulgar	D13/108
D828,295 S *	9/2018	Li	D13/108
D828,354 S *	9/2018	Chuang	D14/433
D853,396 S *	7/2019	Kong	D14/434
D864,209 S *	10/2019	Wang	D14/434
D880,483 S *	4/2020	Fan	D14/433
D883,293 S *	5/2020	Zhang	D14/433
D889,469 S *	7/2020	Zhang	D14/433
D889,470 S *	7/2020	Zhang	D14/433
D892,124 S *	8/2020	Shim	D14/435
D894,828 *	9/2020	Chen	D13/108

FOREIGN PATENT DOCUMENTS

CN 305759004 * 5/2020

* cited by examiner

Primary Examiner — Angela J Lee
Assistant Examiner — Rebekah A Caruso

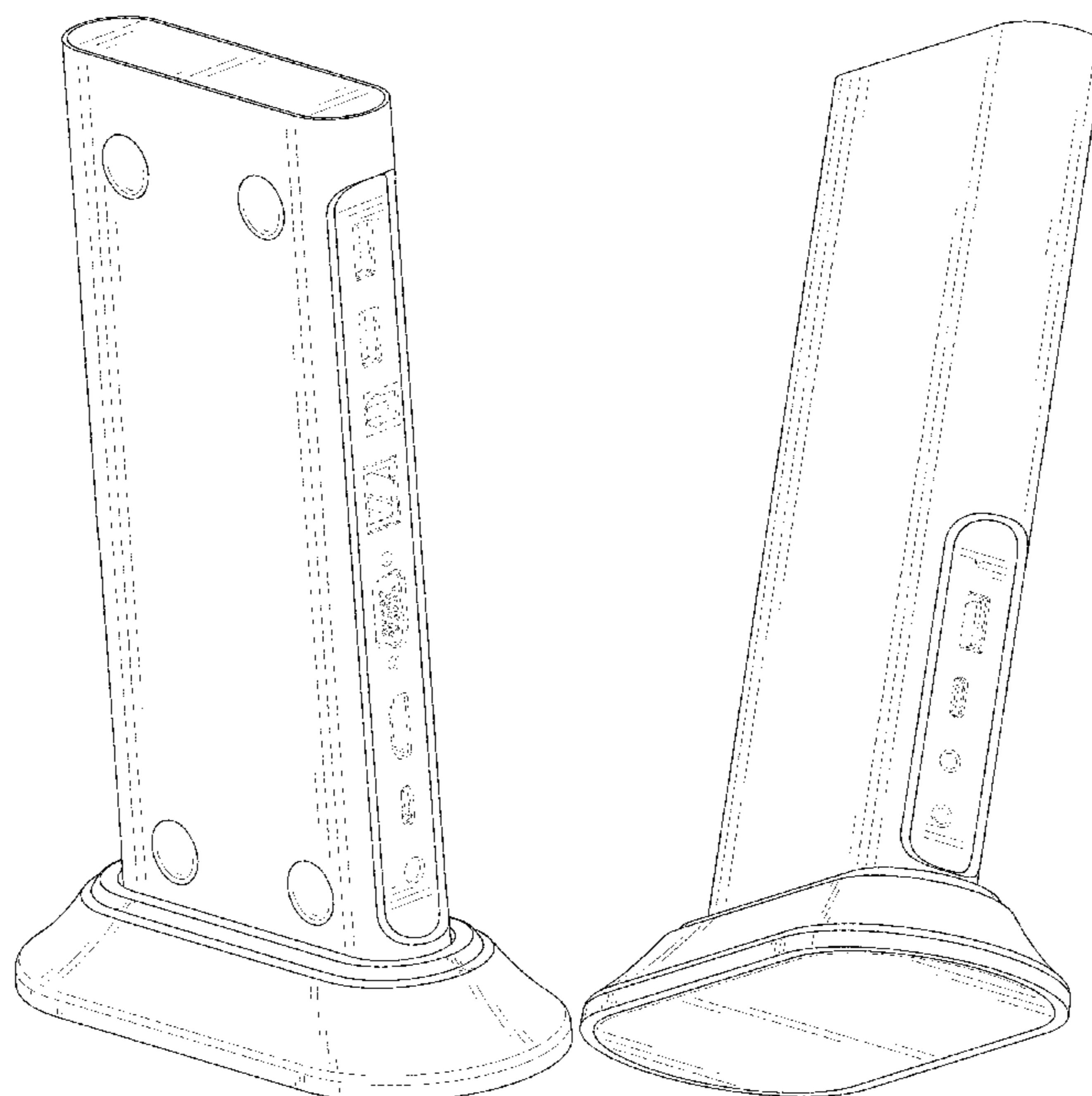
(57) **CLAIM**

The ornamental design for a multi-function hub, as shown and described.

DESCRIPTION

FIG. 1 is a perspective view of a multi-function hub showing my new design;
FIG. 2 is another perspective view thereof;
FIG. 3 is a front elevational view thereof;
FIG. 4 is a rear elevational view thereof;
FIG. 5 is a left side elevational view thereof;
FIG. 6 is a right side elevational view thereof;
FIG. 7 is a top plan view thereof; and,
FIG. 8 is a bottom plan view thereof.

1 Claim, 8 Drawing Sheets



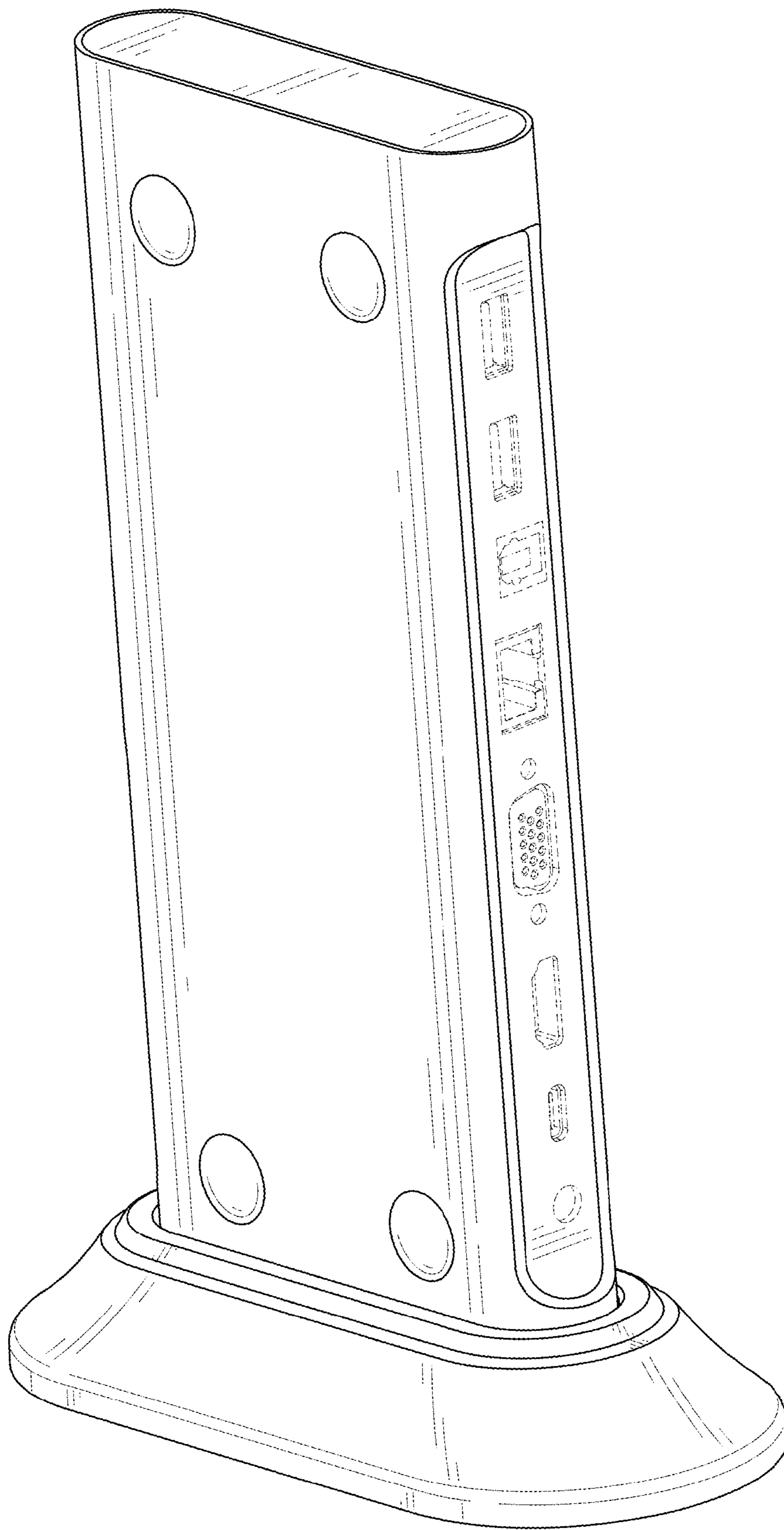


FIG. 1

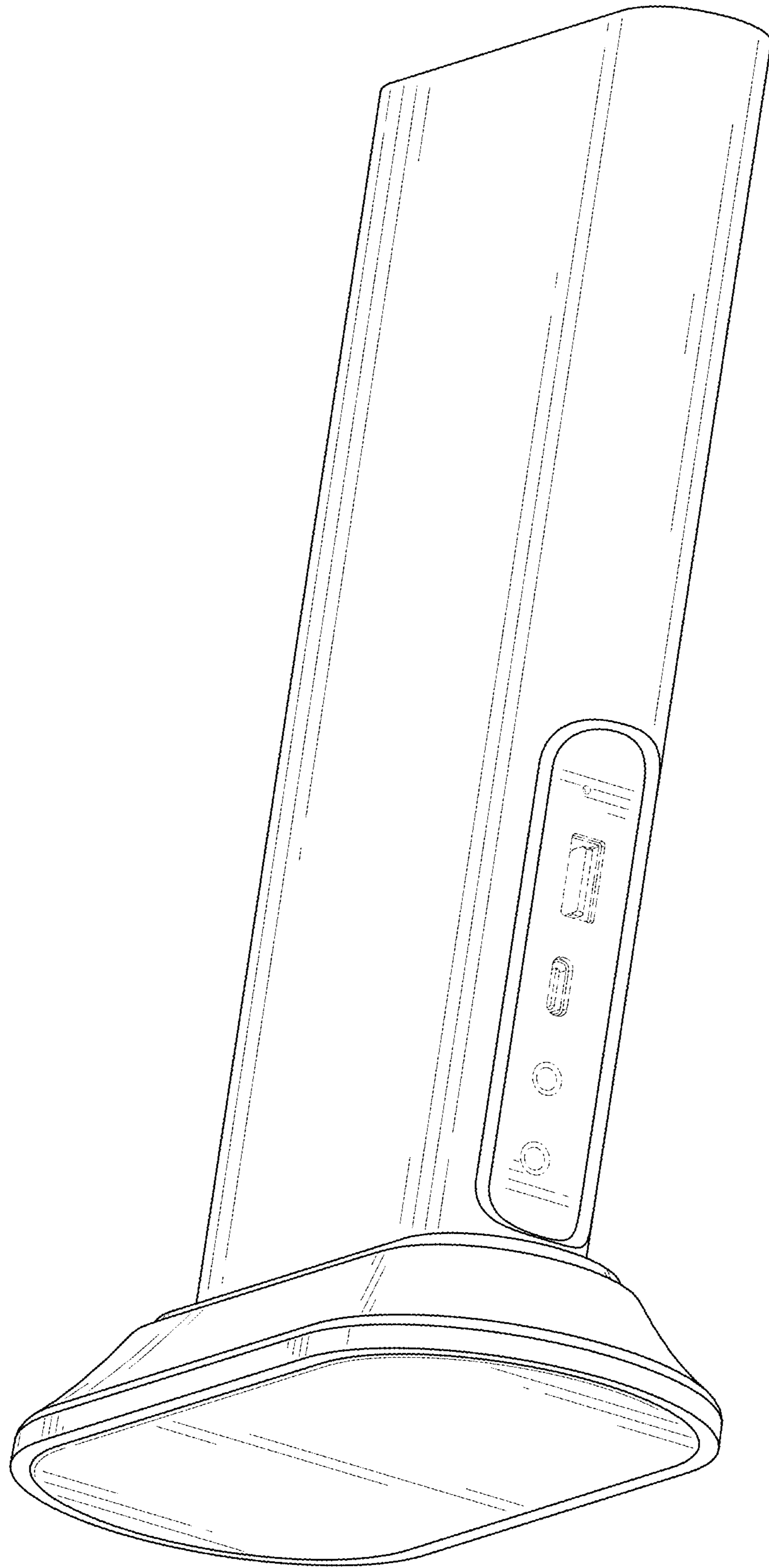


FIG. 2

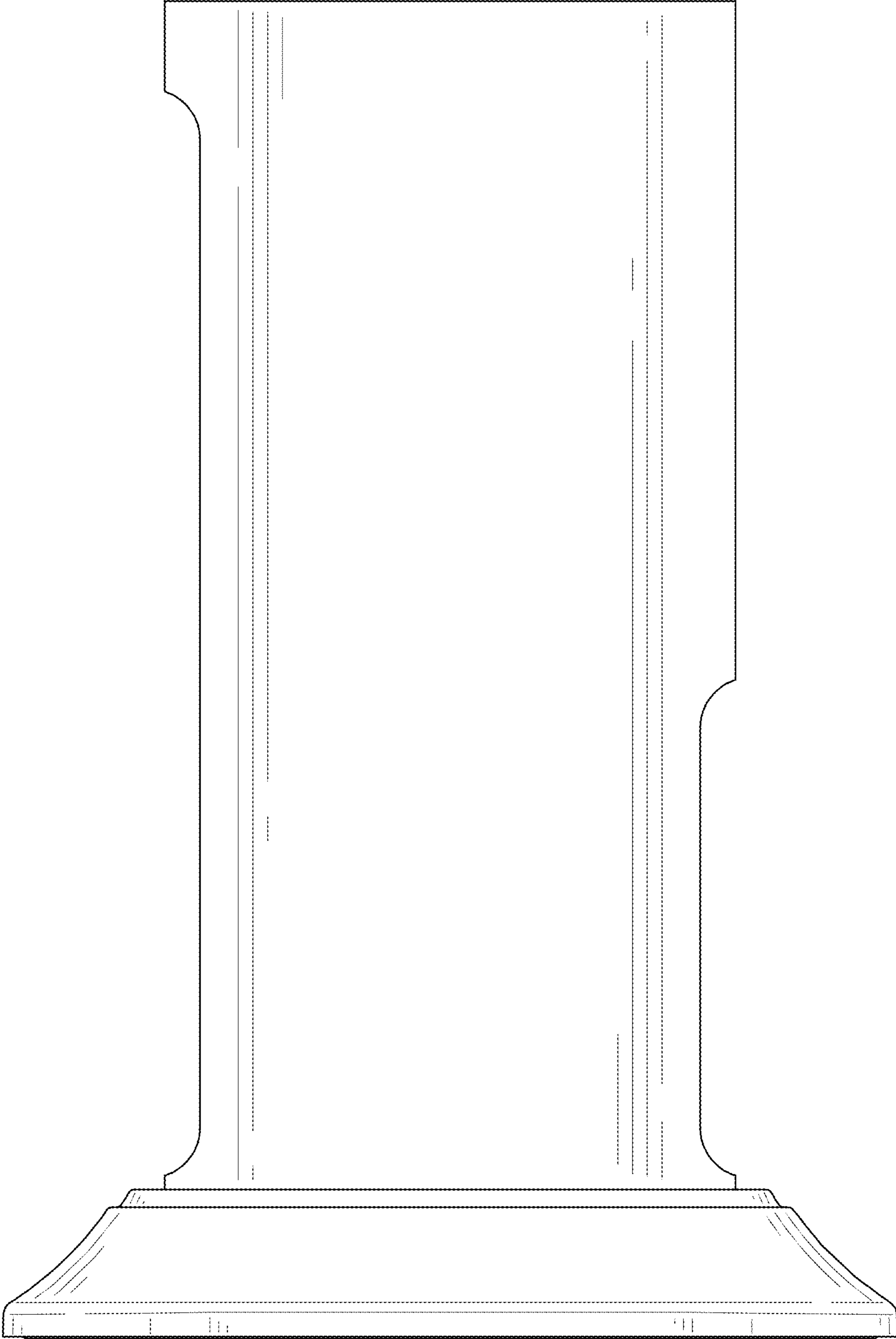


FIG. 3

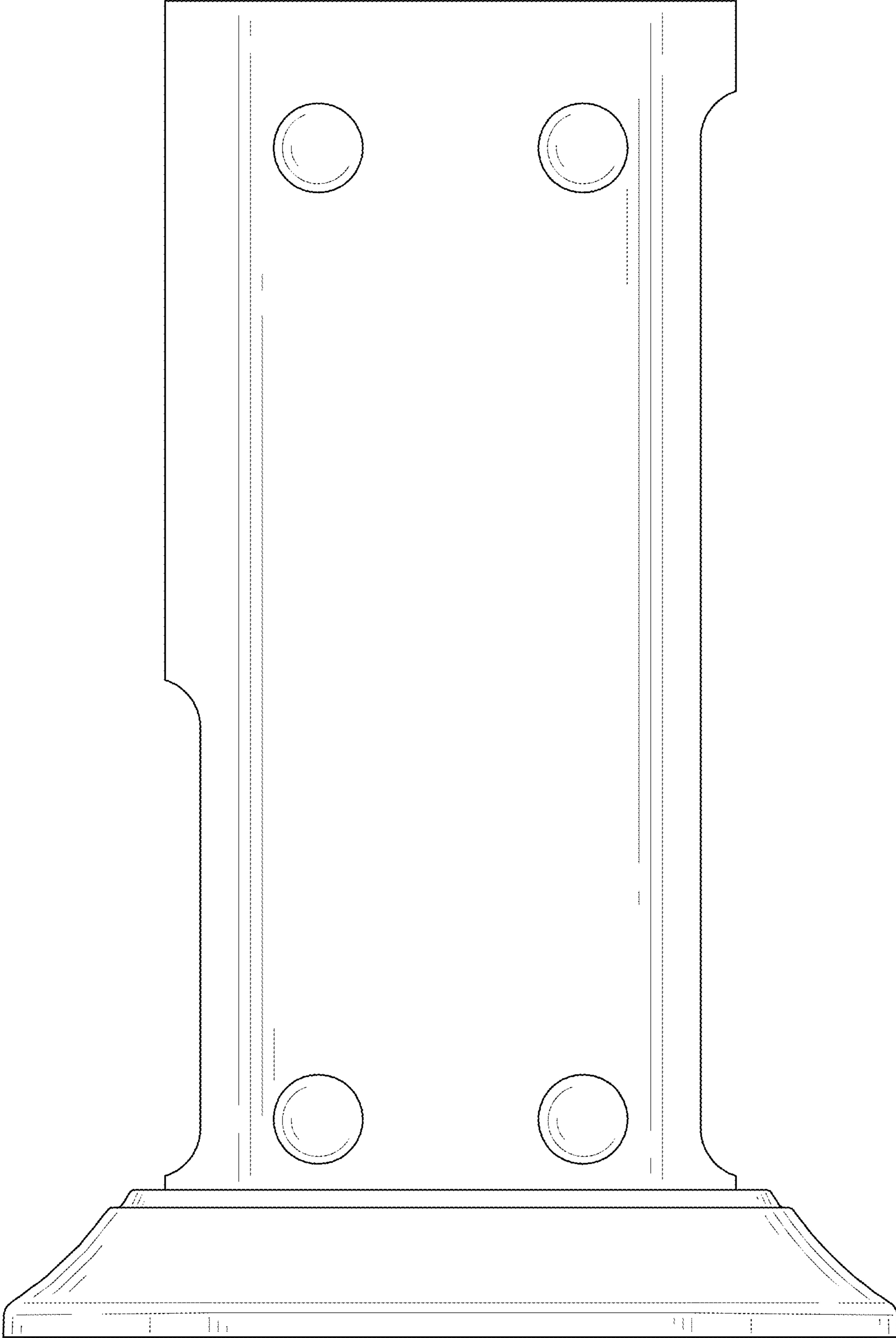


FIG. 4

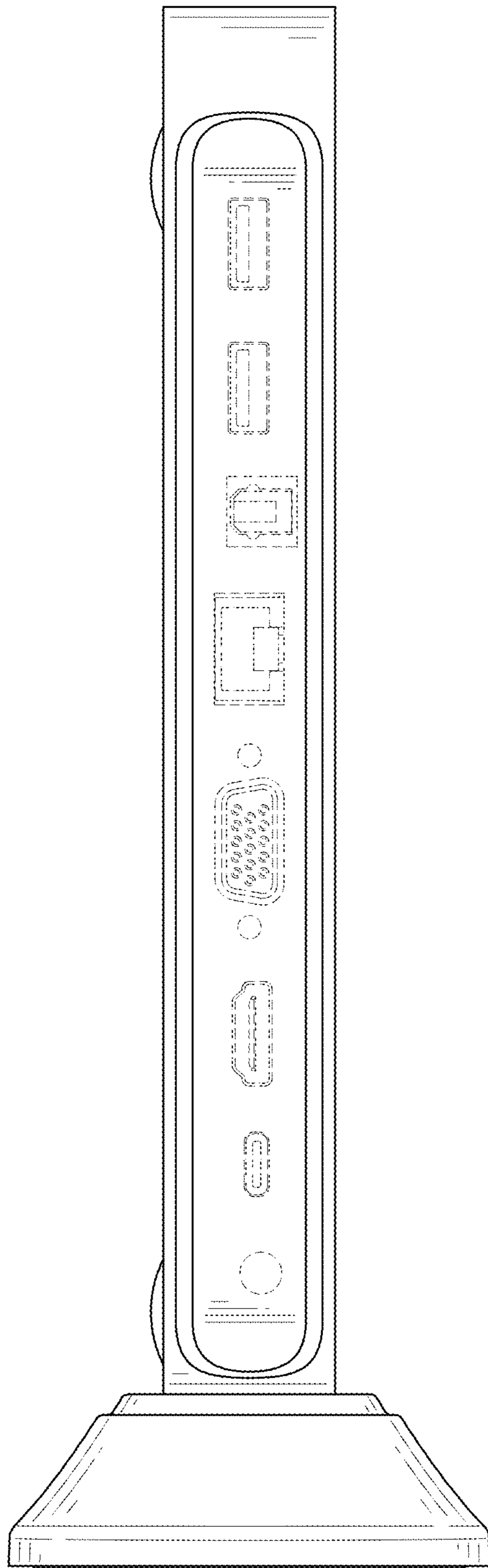


FIG. 5

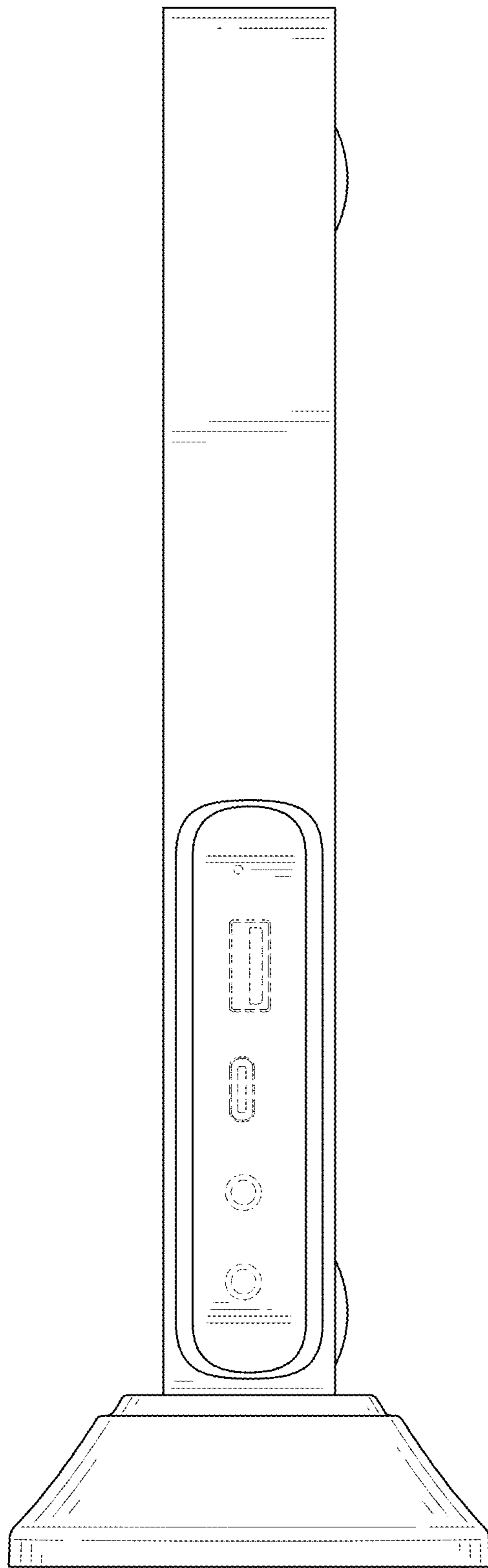


FIG. 6

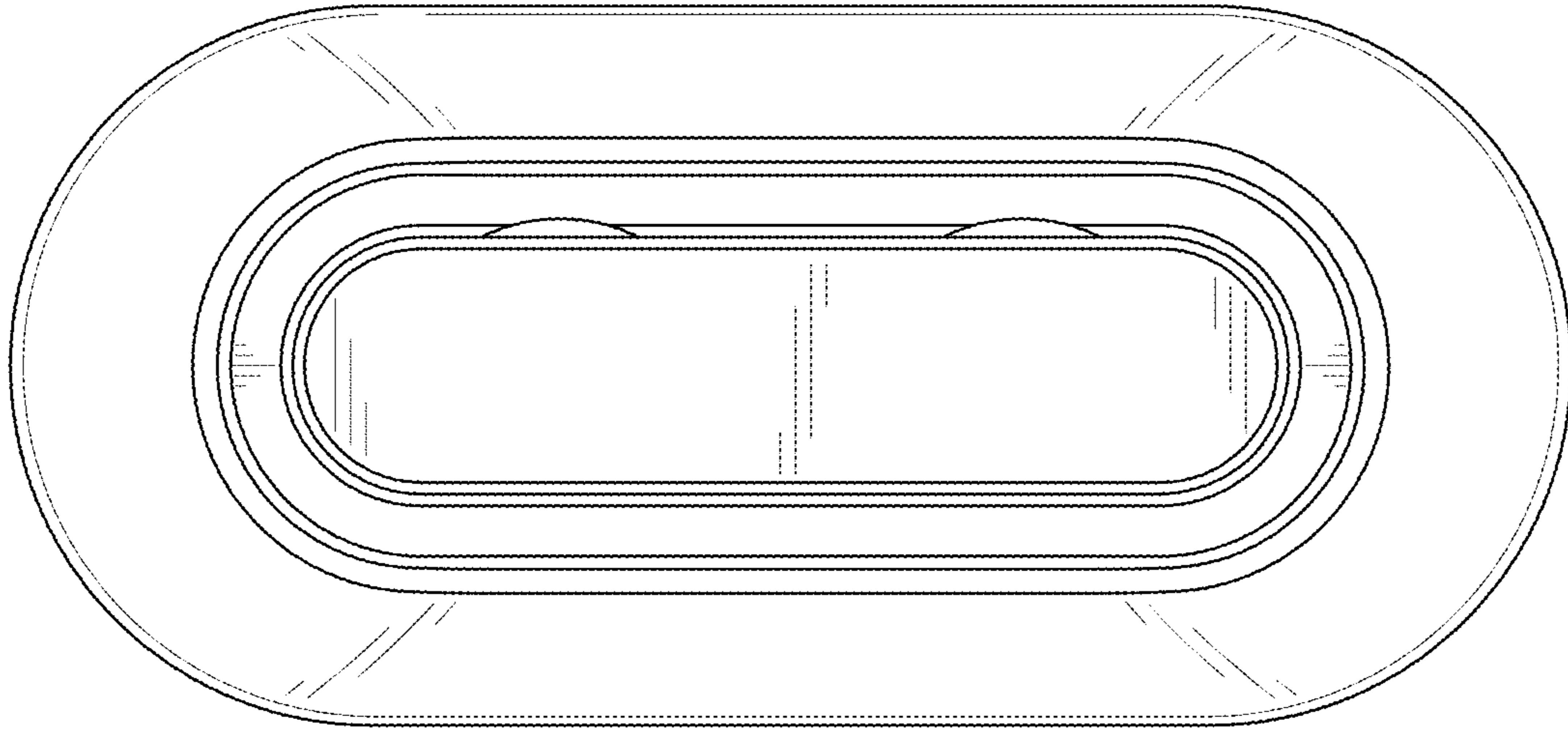


FIG. 7

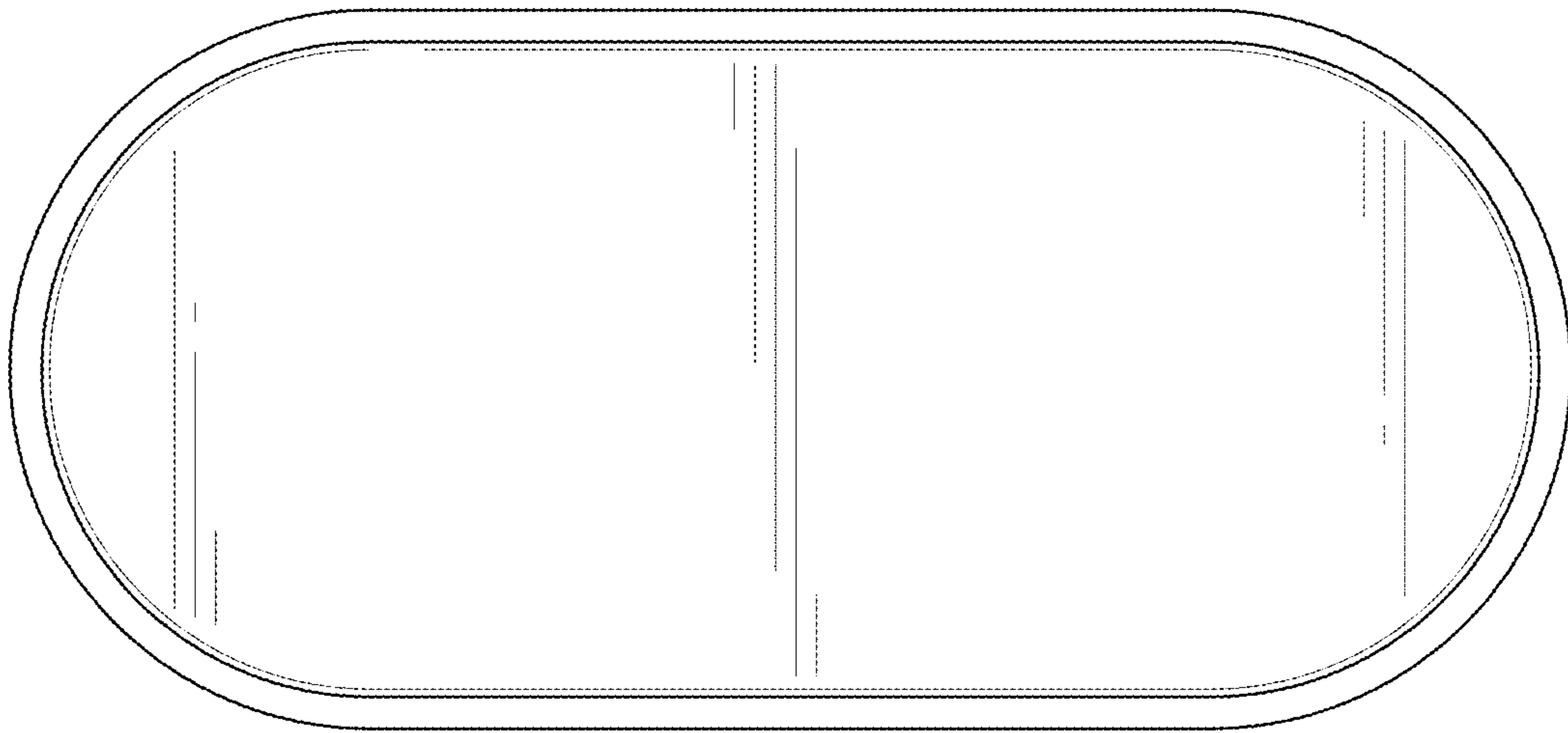


FIG. 8