



US00D900104S

(12) **United States Design Patent** (10) **Patent No.:** **US D900,104 S**
Liao (45) **Date of Patent:** **** Oct. 27, 2020**

(54) **MULTI-FUNCTION CONVERTER**

(71) Applicant: **Gopod Group Ltd.**,
Shenzhen/Guangdong (CN)
(72) Inventor: **Zhuowen Liao**, Shenzhen (CN)
(73) Assignee: **GUANGDONG GOPOD GROUP**
HOLDING CO., LTD., Shenzhen (CN)

(**) Term: **15 Years**
(21) Appl. No.: **29/674,454**
(22) Filed: **Dec. 21, 2018**

(30) **Foreign Application Priority Data**

Dec. 6, 2018 (CN) 2018 3 0702384

(51) **LOC (12) Cl.** **14-02**

(52) **U.S. Cl.**
USPC **D14/433**

(58) **Field of Classification Search**
USPC D13/101, 107, 108, 110, 118, 120, 123,
D13/133, 146, 147, 154, 184, 199;
D14/155, 188, 217, 223, 240, 242, 357,
D14/385, 432-438, 435.1, 496
CPC H01R 25/006; H01R 27/02; H01R 31/005;
G06F 13/4022; G06F 13/382; G06F
1/1632; G06F 1/1684; G06F 1/20; G06F
1/1607

See application file for complete search history.

(56) **References Cited**

U.S. PATENT DOCUMENTS

D507,261 S * 7/2005 Griffin D14/226
D586,295 S * 2/2009 Zhao D13/133
D619,570 S * 7/2010 Tong D13/133
D750,083 S * 2/2016 Chow D14/434

(Continued)

OTHER PUBLICATIONS

Amazon.USB C Dock,12-in-1 USB C Docking Station with Ethernet Port, 4K USB C to HDMI, 3 USB 3.0 Ports, SD/TF Card Reader, USB-C Power Delivery, Display Port and VGA Port for MacBook Pro and Windows Laptop. Mar. 18, 2019. <https://www.amazon.com/Docking-Station-Ethernet-Delivery-Display/dp/B07NHNQMH2> (Year: 2019).*

(Continued)

Primary Examiner — Darcey E Gottschalk
(74) *Attorney, Agent, or Firm* — Dorsey & Whitney LLP

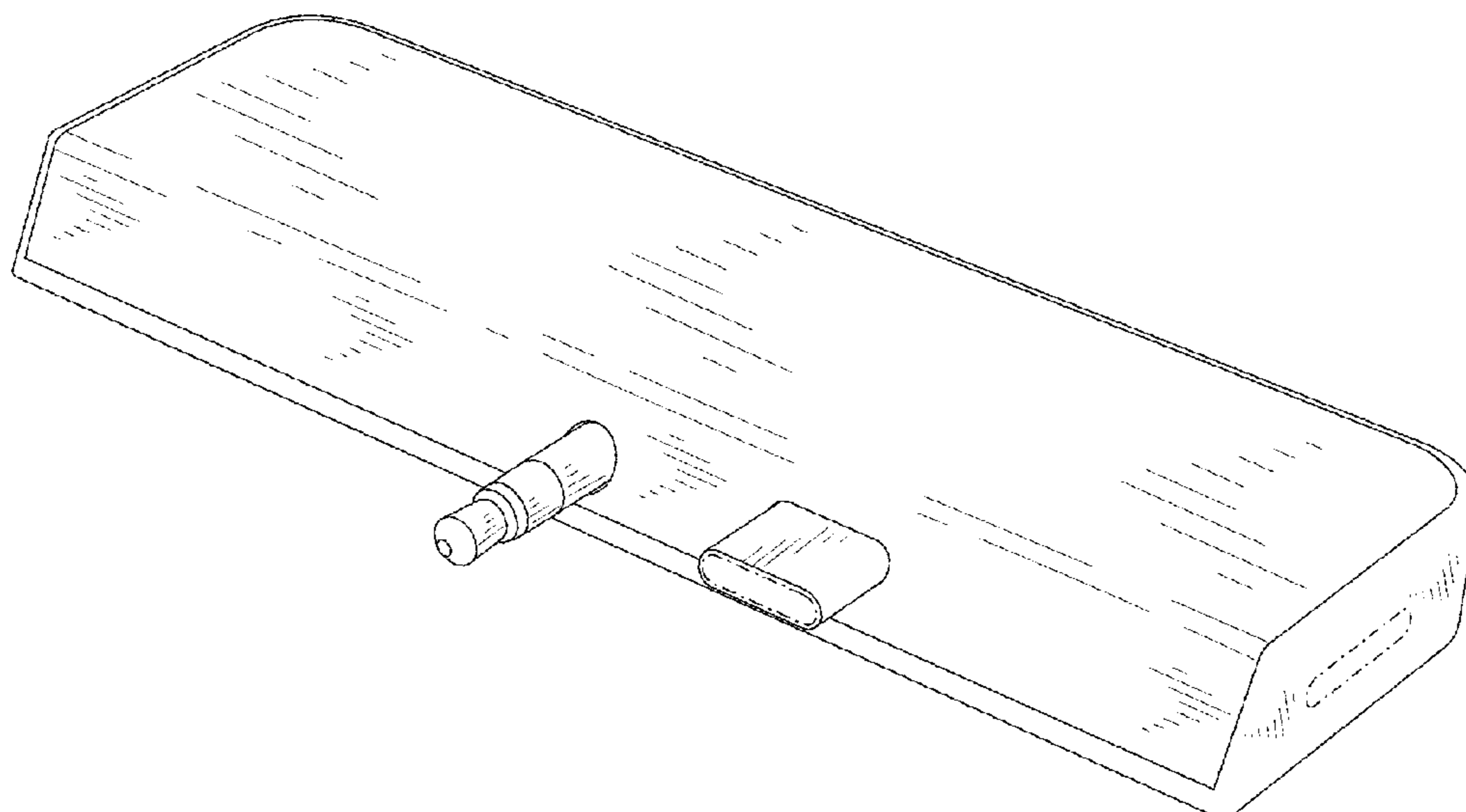
(57) **CLAIM**

The ornamental design for a multi-function converter, as shown and described.

DESCRIPTION

FIG. 1 is a top view of a multi-function converter showing my new design;
FIG. 2 is a left side view thereof;
FIG. 3 is a right side view thereof;
FIG. 4 is a bottom view thereof;
FIG. 5 is a front view thereof;
FIG. 6 is a rear view thereof;
FIG. 7 is a top, rear, left side perspective view thereof;
FIG. 8 is a top, front, right side perspective view thereof; and
FIG. 9 is a top view of an alternative embodiment of my new design;
FIG. 10 is a left side view thereof;
FIG. 11 is a right side view thereof;
FIG. 12 is a bottom view thereof;
FIG. 13 is a front view thereof;
FIG. 14 is a rear view thereof;
FIG. 15 is a top, rear, left side perspective view thereof; and,
FIG. 16 is a top, front, right side perspective view thereof.
The dash-dot broken lines shown in the drawings represent boundaries of the claimed design and form no part of the claimed design.

1 Claim, 16 Drawing Sheets



(56)

References Cited

U.S. PATENT DOCUMENTS

D800,730 S	*	10/2017	Liao	D14/433
D807,290 S	*	1/2018	Liao	D13/110
D830,366 S	*	10/2018	Turksu	D14/433
D854,019 S	*	7/2019	Liao	D14/434
D854,544 S	*	7/2019	Liao	D14/434
D855,054 S	*	7/2019	Turksu	D14/433
D855,616 S	*	8/2019	Chin	D14/433
D856,278 S	*	8/2019	Turksu	D13/108
D864,205 S	*	10/2019	Wang	D14/433
D864,208 S	*	10/2019	Duan	D14/433
D864,964 S	*	10/2019	Lyu	D14/433
D864,966 S	*	10/2019	Sang	D14/434
D866,557 S	*	11/2019	Xiong	D14/433
D869,467 S	*	12/2019	Lin	D14/434

OTHER PUBLICATIONS

Amazon. Gmobi 5-in-1 USB Type C hub with USB-C charging port (Gold), mini fashionable Aluminum USB-C hub with ultra-fast speed for Macbook 12, Chromebook Pixel, and Windows 10 PC. May 6, 2016. <https://www.amazon.in/charging-fashionable-Aluminum-ultra-fast-Chromebook/dp/B01F9BWLGA> (Year: 2016).*

* cited by examiner

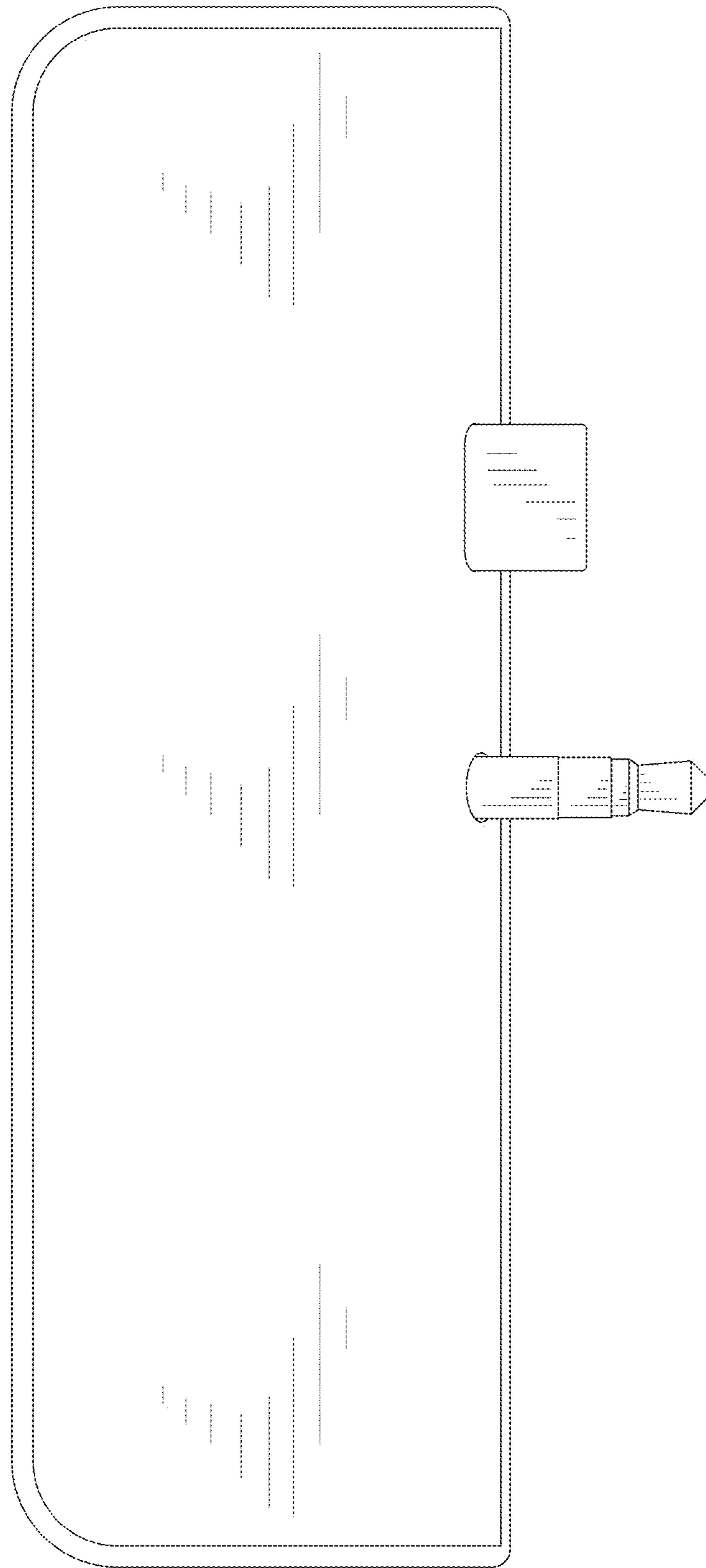


FIG. 1

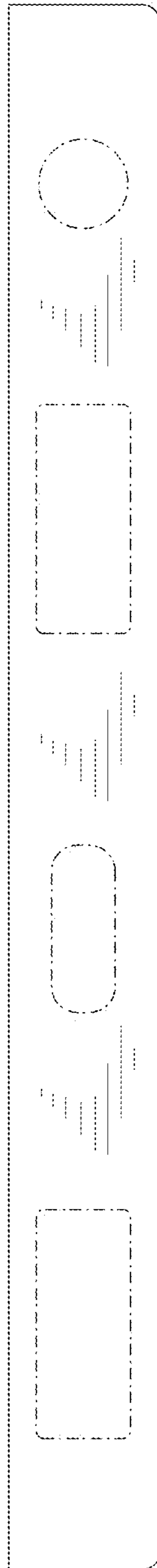


FIG. 2

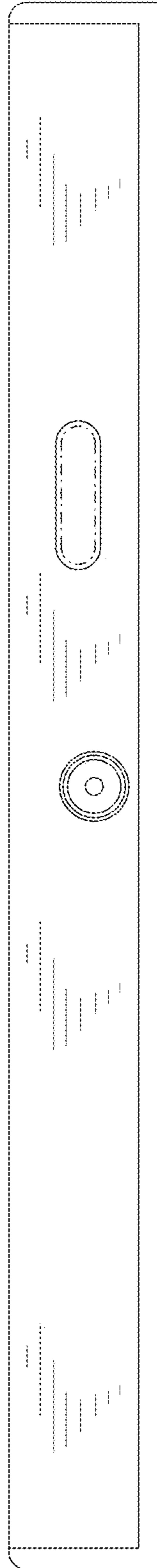


FIG. 3

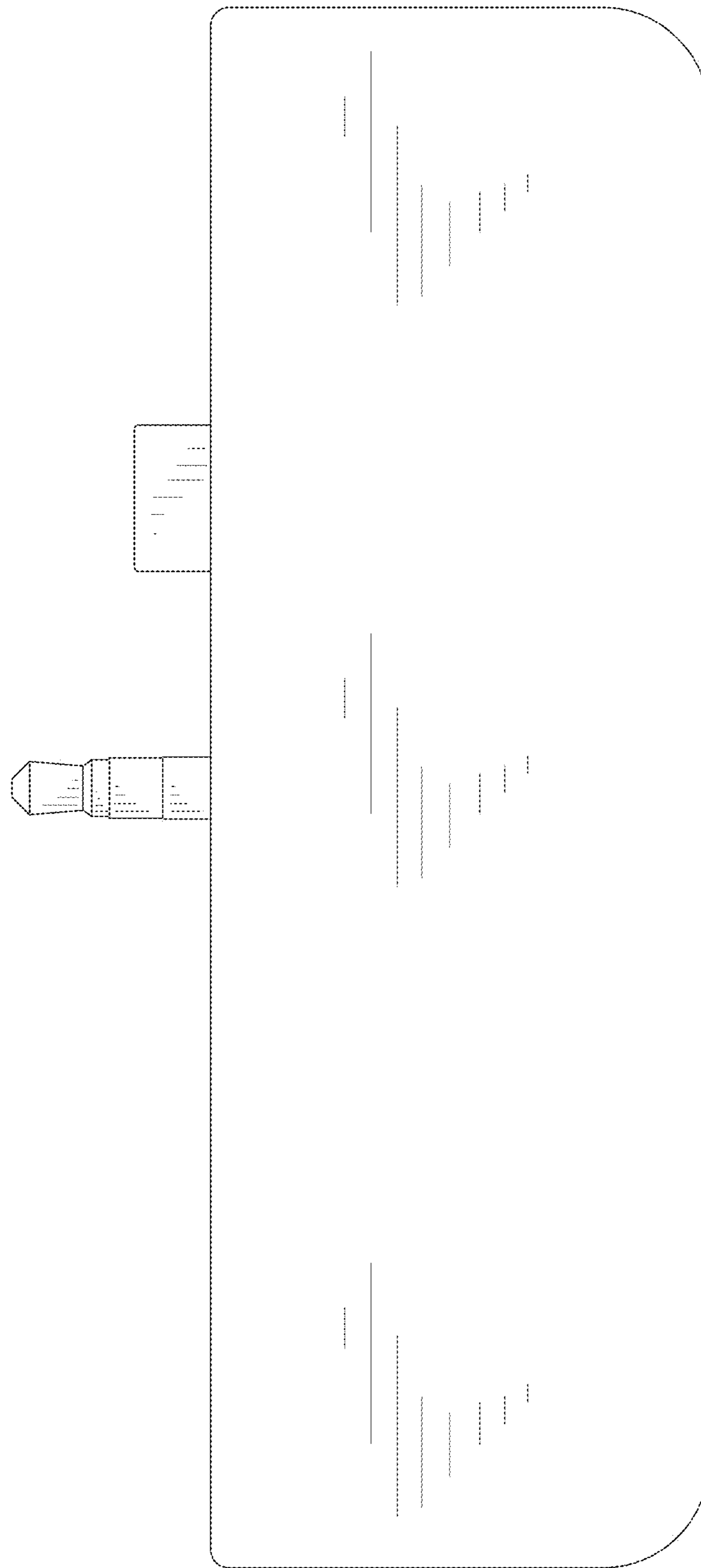


FIG. 4

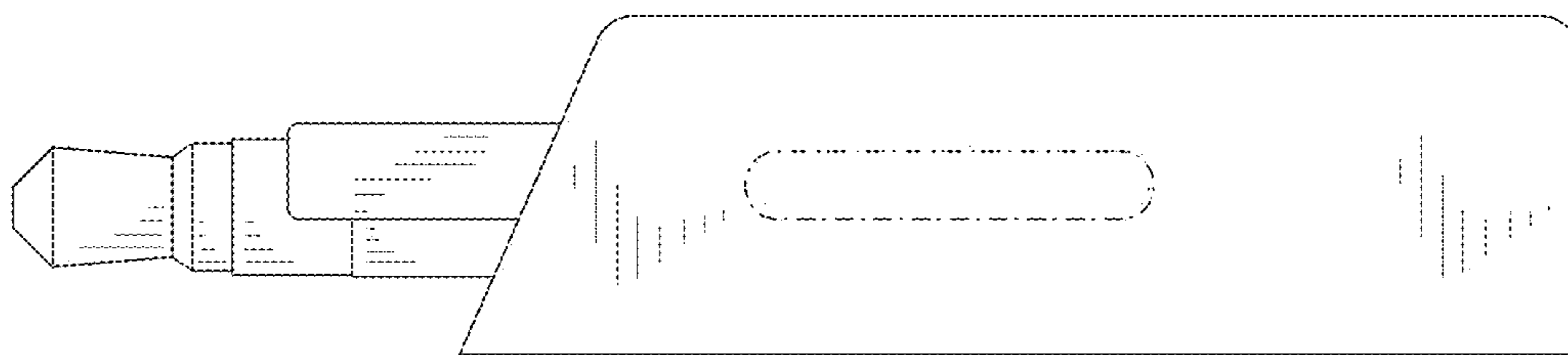


FIG. 5

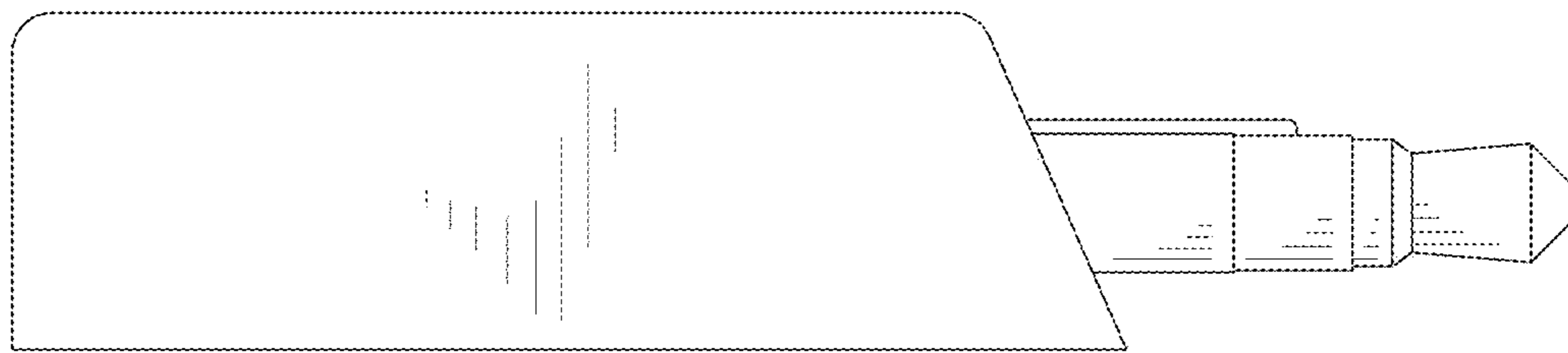


FIG. 6

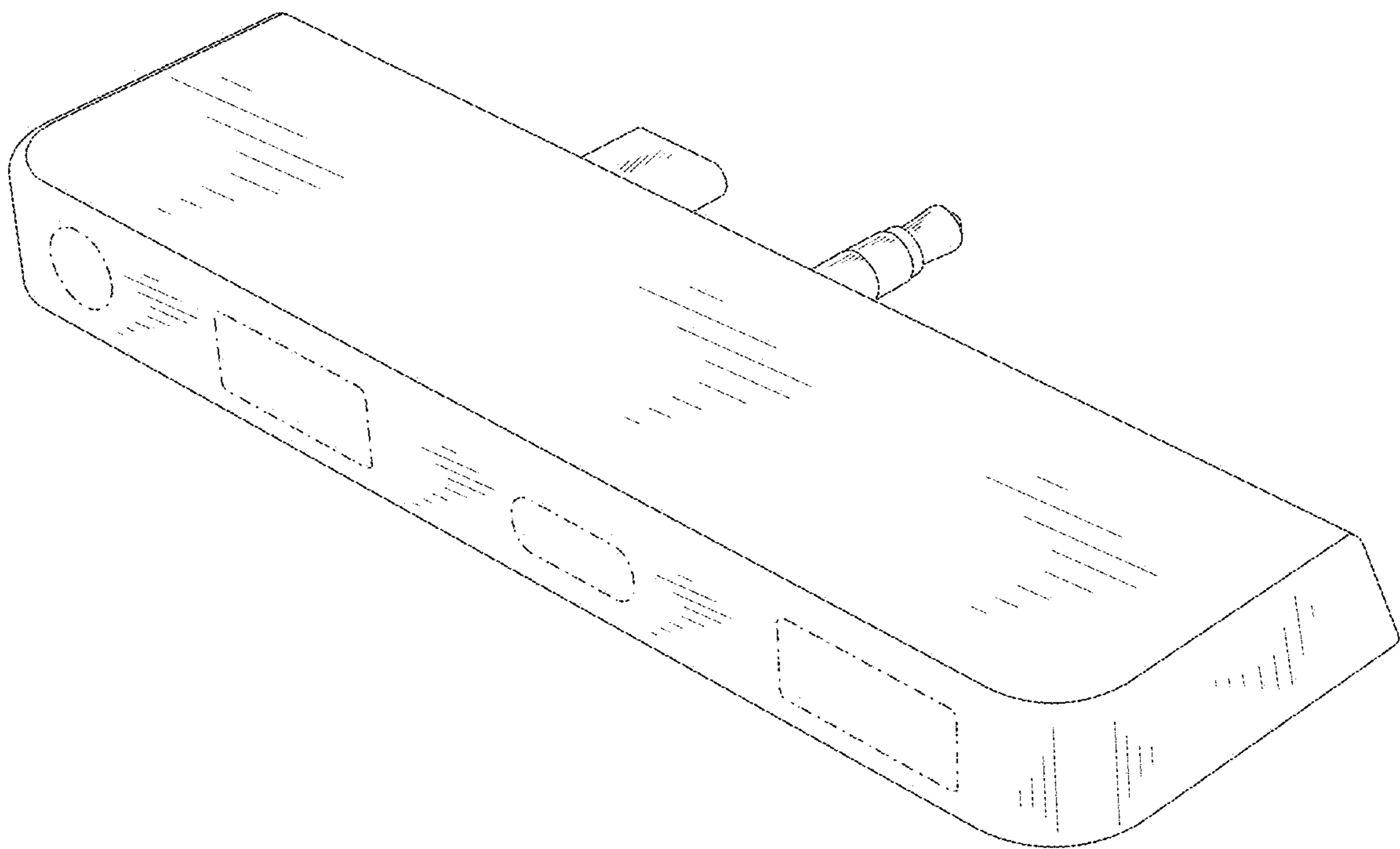


FIG. 7

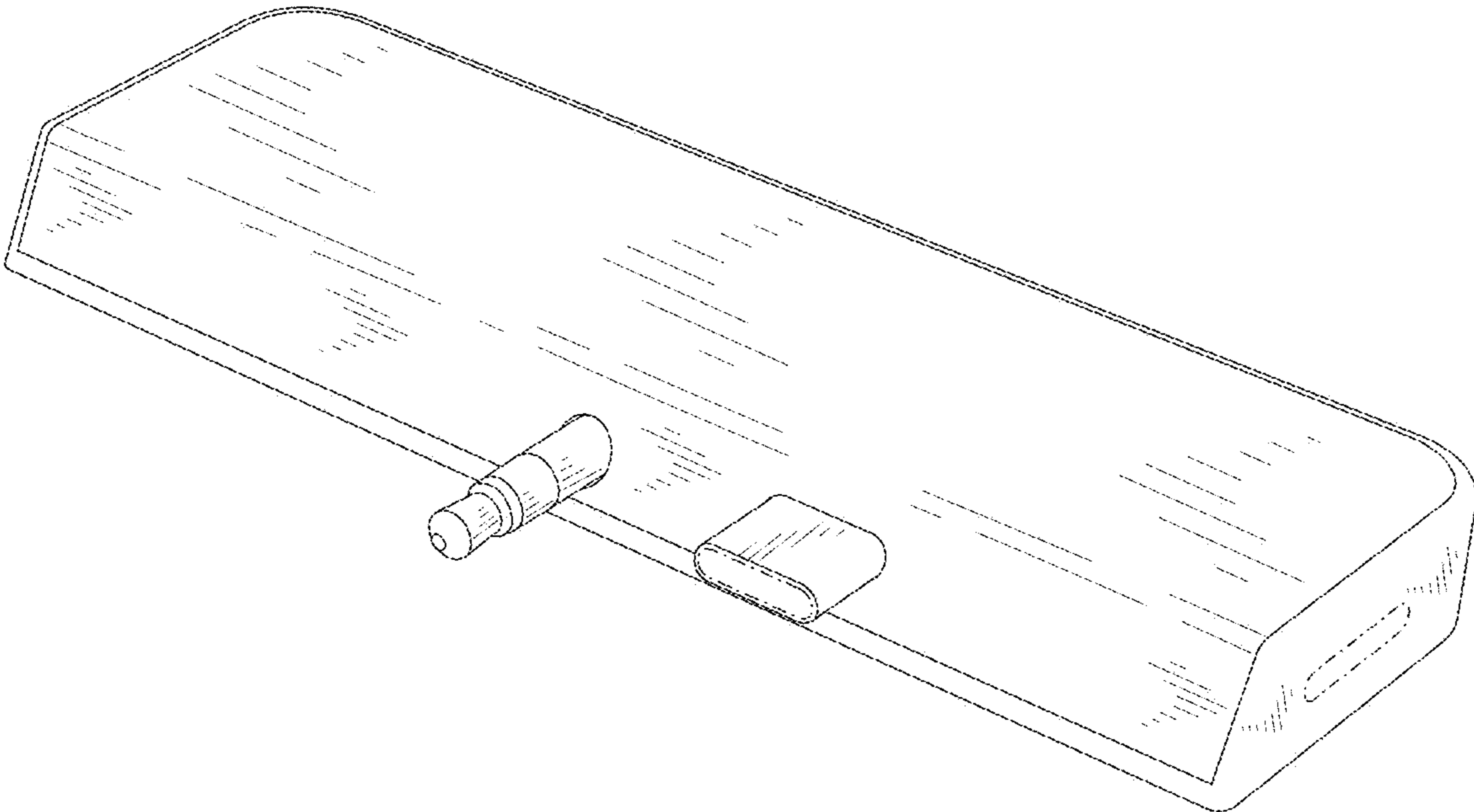


FIG. 8

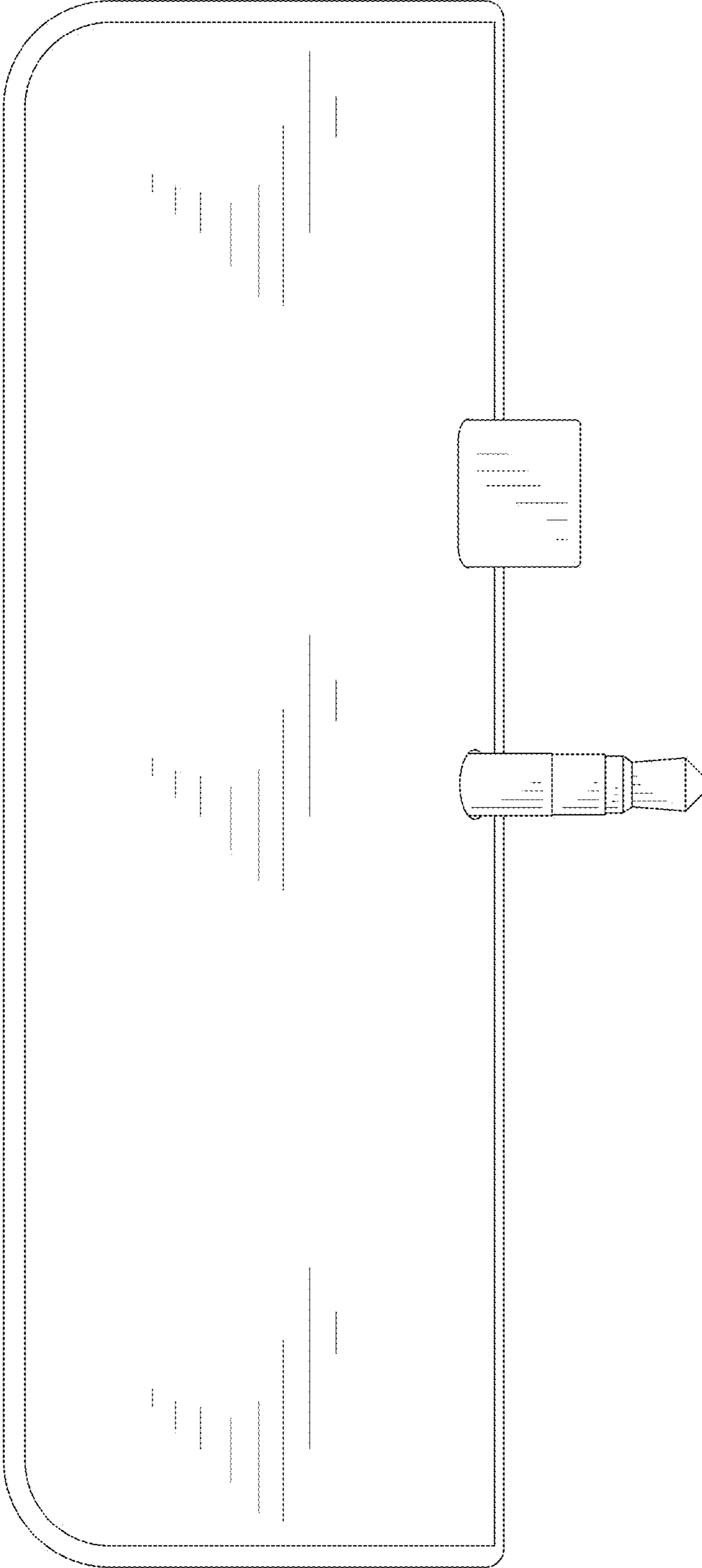


FIG. 9

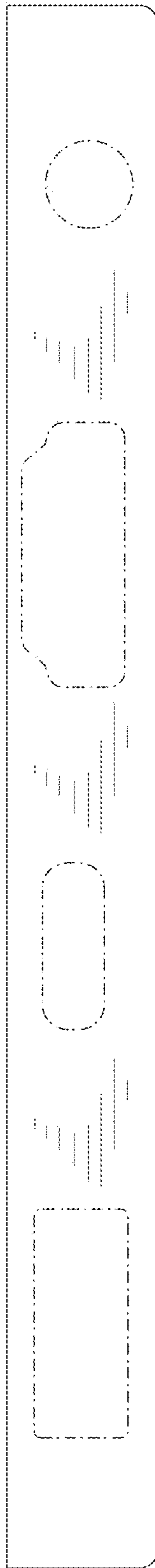


FIG. 10

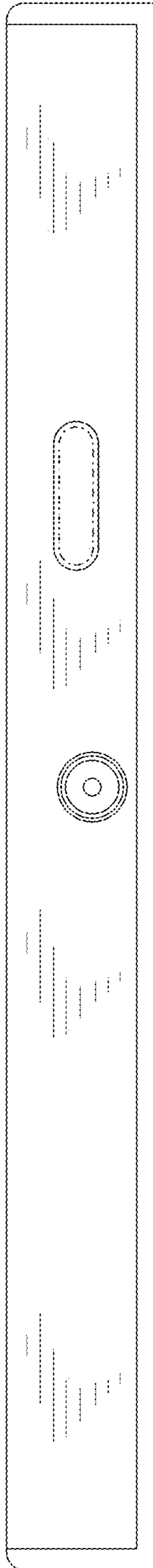


FIG. 11

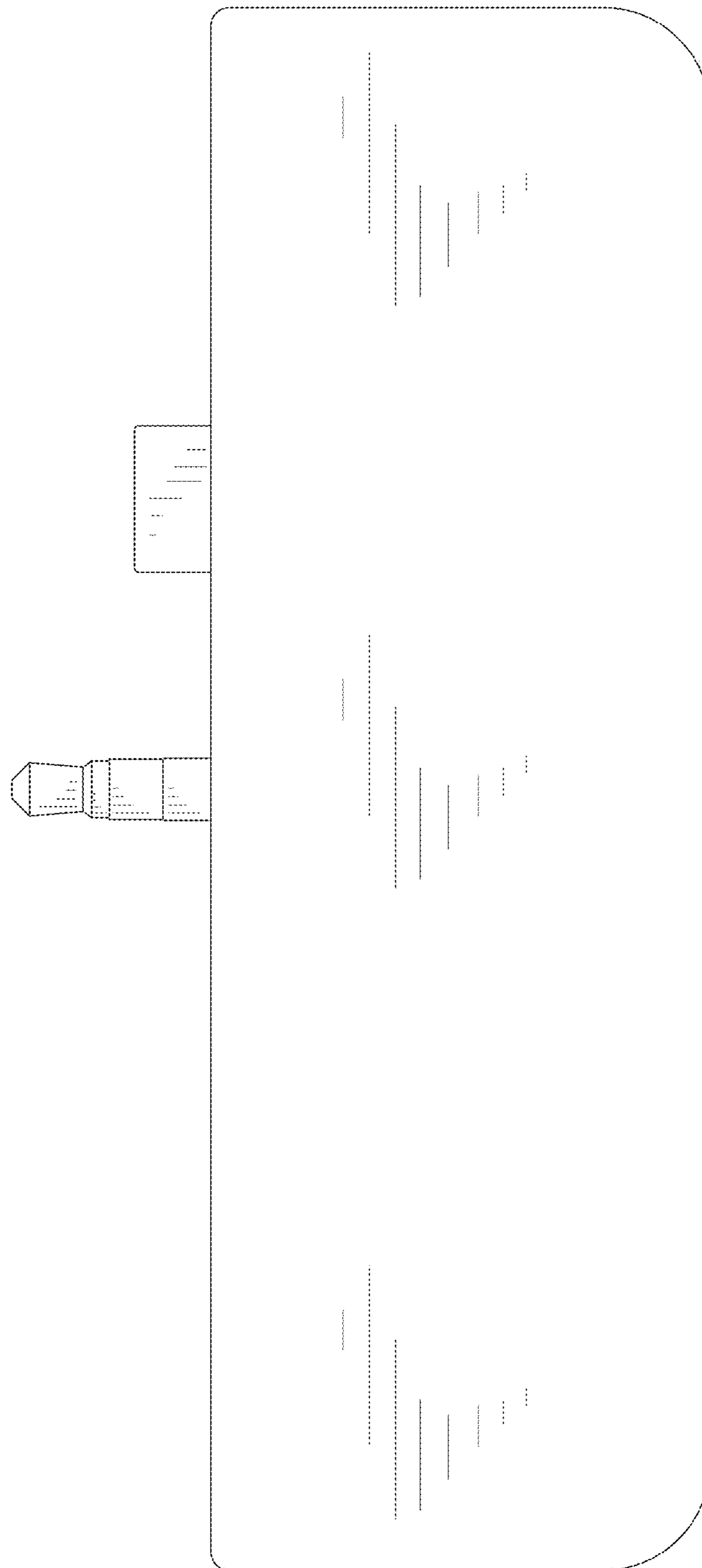


FIG. 12

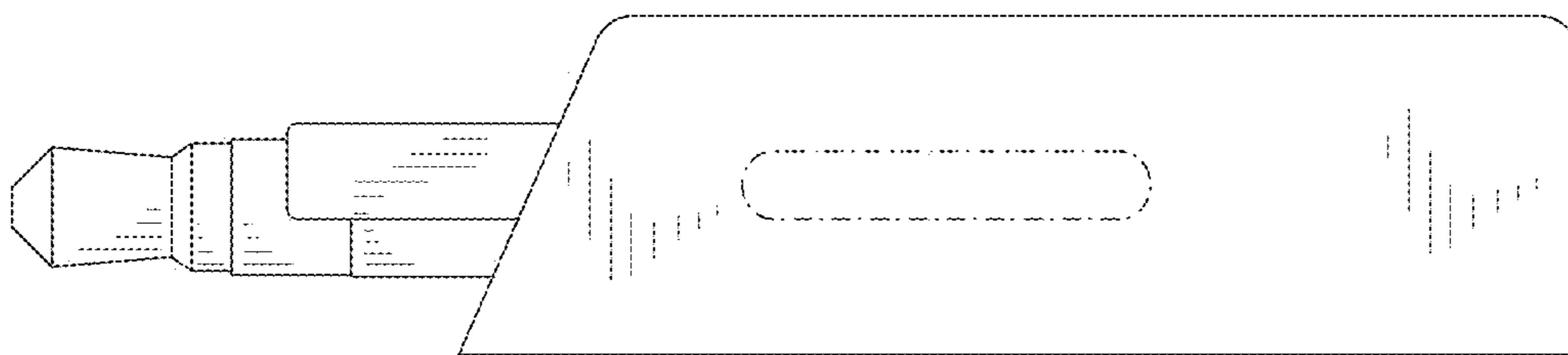


FIG. 13

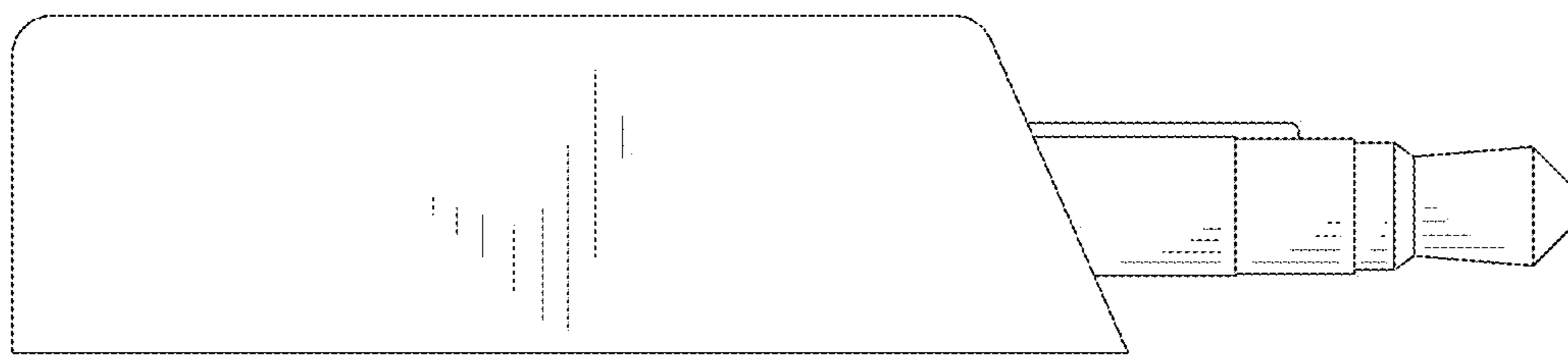


FIG. 14

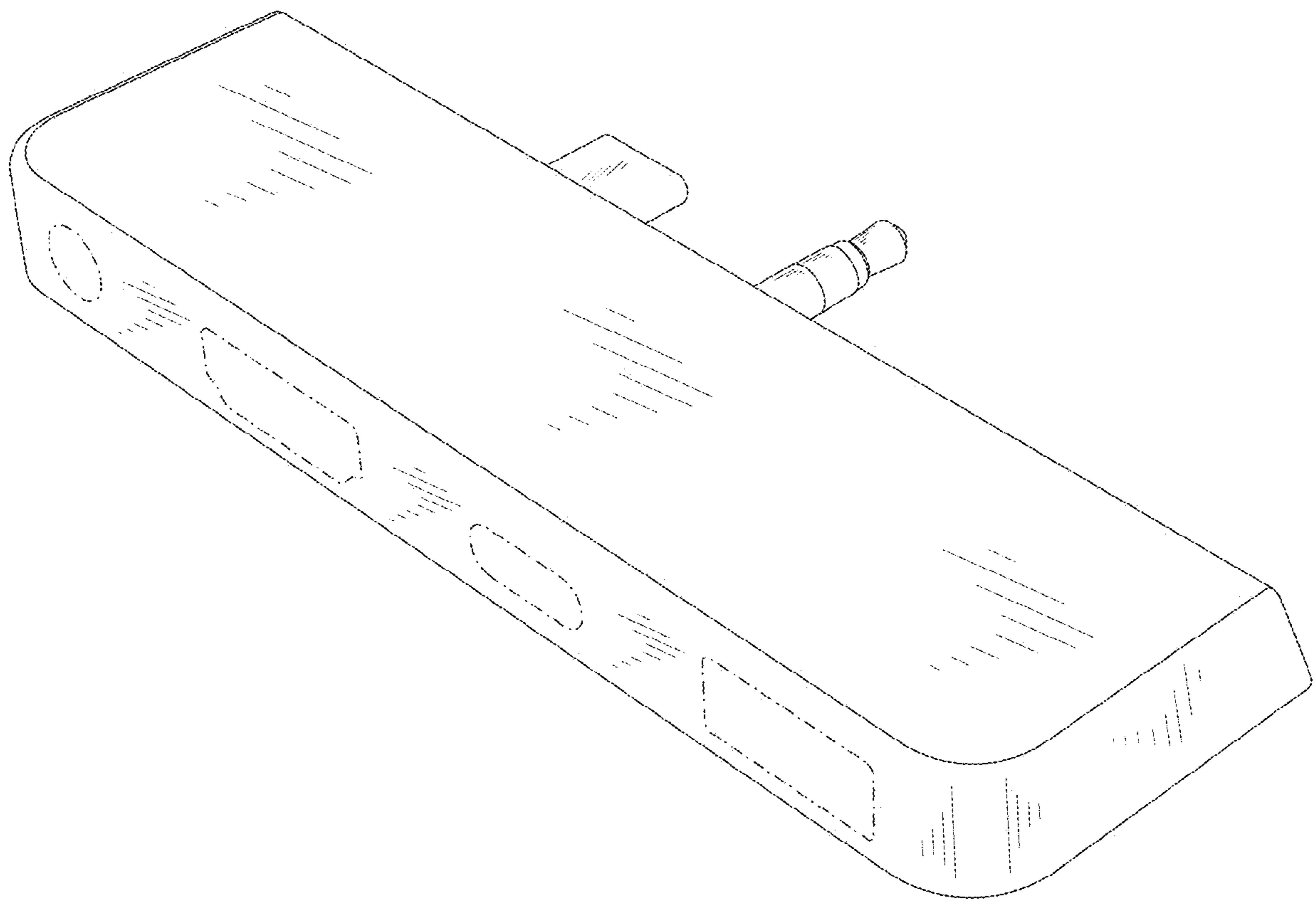


FIG. 15

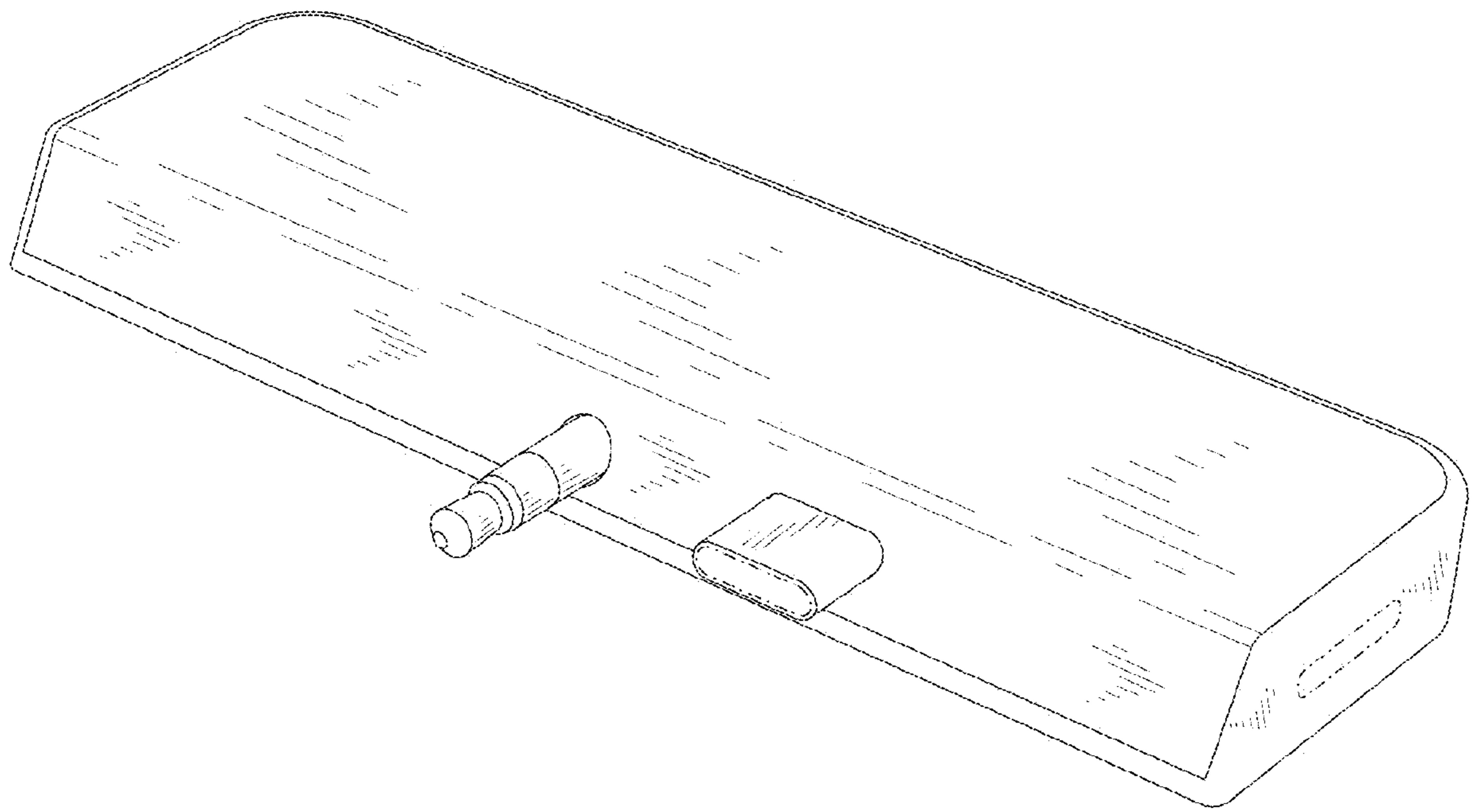


FIG. 16