

US00D900103S

(12) **United States Design Patent** (10) **Patent No.:** **US D900,103 S**  
**Bidwell et al.** (45) **Date of Patent:** **\*\* Oct. 27, 2020**

(54) **HANDHELD BARCODE SCANNER**

FOREIGN PATENT DOCUMENTS

(71) Applicant: **Hand Held Products, Inc.**, Fort Mill, SC (US)

CN 5491145 11/2019

(72) Inventors: **Dean Jeffrey Bidwell**, Renton, WA (US); **William Herweh, III**, Seattle, WA (US); **Roger Jackson**, Lake Forest Park, WA (US)

OTHER PUBLICATIONS

Notice of Allowance and Fees Due (Ptol-85) dated Nov. 27, 2019 for U.S. Appl. No. 29/648,491.

(Continued)

(73) Assignee: **HAND HELD PRODUCTS, INC.**, Fort Mill, SC (US)

*Primary Examiner* — Susan Moon Lee

(74) *Attorney, Agent, or Firm* — Alston & Bird LLP

(\*\*) Term: **15 Years**

(57) **CLAIM**

(21) Appl. No.: **29/724,001**

We claim the ornamental design for a handheld barcode scanner, as shown and described.

(22) Filed: **Feb. 12, 2020**

**DESCRIPTION**

**Related U.S. Application Data**

(63) Continuation of application No. 29/648,491, filed on May 22, 2018, now Pat. No. Des. 879,099.

The patent or application file contains at least one drawing executed in color. Copies of this patent or patent application publication with color drawing(s) will be provided by the Office upon request and payment of the necessary fee.

(51) **LOC (12) Cl.** ..... **14-02**

(52) **U.S. Cl.**  
USPC ..... **D14/428**

FIG. 1 is a perspective view of a handheld barcode scanner showing our new design from the front, top, and right side; FIG. 2 is another perspective view thereof shown from the front, bottom, and right side;

(58) **Field of Classification Search**  
USPC ..... D14/420, 426-430, 453, 346, 341, 347, D14/412, 138; D13/107, 184; 358/473; 235/462.43, 462.45, 462.47, 462.48, 235/462.44, 462.46, 487, 472.01, 472.02, 235/145 A, 145 R; D10/78; 324/426;  
(Continued)

FIG. 3 is another perspective view thereof shown from the rear, top, and left side;

(56) **References Cited**

U.S. PATENT DOCUMENTS

4,999,665 A \* 3/1991 Kuroda ..... G03B 17/18 396/279

FIG. 4 is a right side elevation view thereof, the left side elevation view being a mirror image thereof;

D362,435 S 9/1995 Charych  
(Continued)

FIG. 5 is a front elevation view thereof;

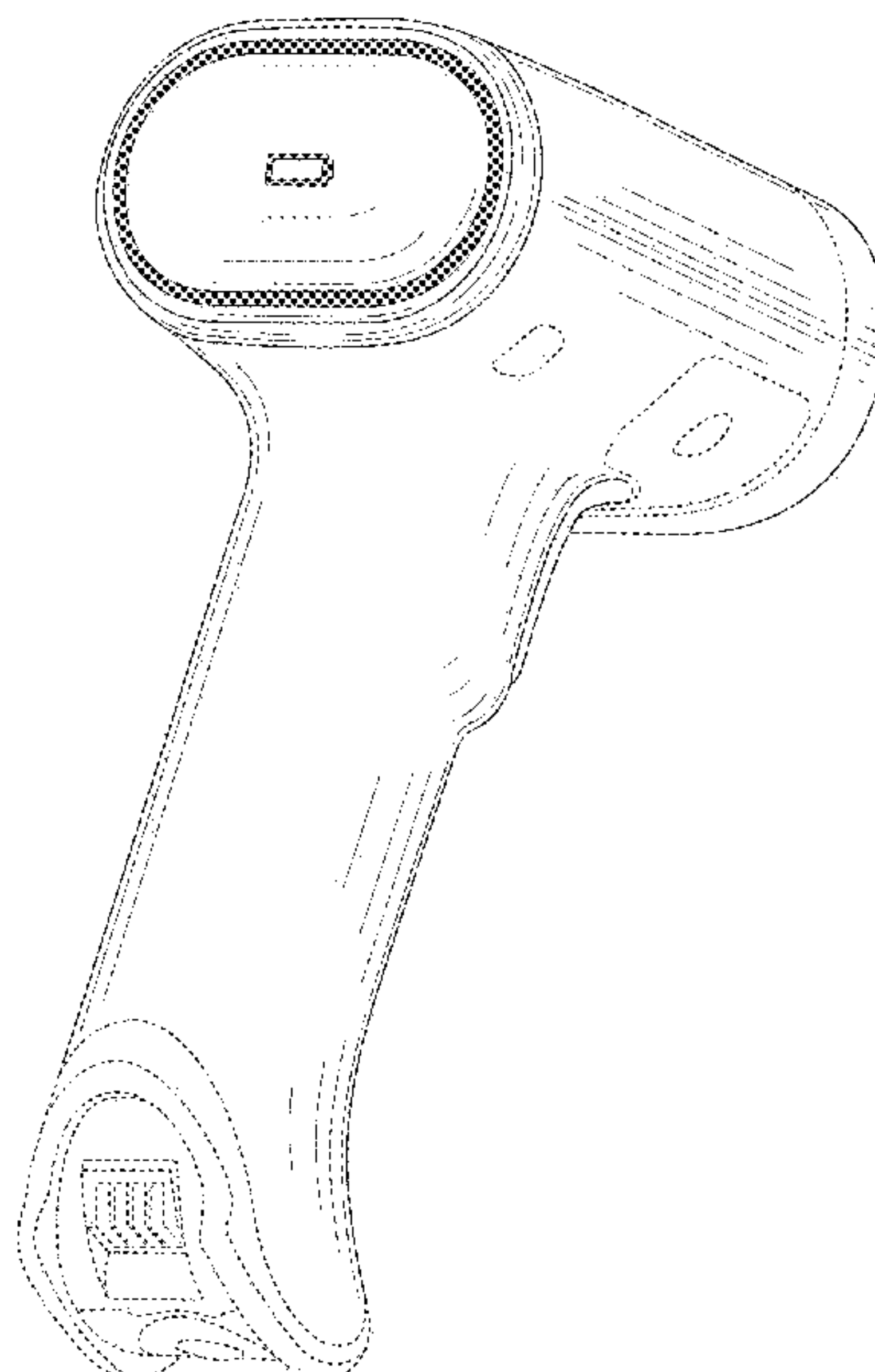
FIG. 6 is a rear elevation view thereof;

FIG. 7 is a top plan view thereof; and,

FIG. 8 is another perspective view thereof shown from the rear, bottom, and left side.

The broken lines are directed to unclaimed features and form no part of the claimed design.

**1 Claim, 8 Drawing Sheets**  
**(8 of 8 Drawing Sheet(s) Filed in Color)**



(58) **Field of Classification Search**

USPC ..... D3/273; 710/73; D18/7; 361/679, 728,  
 361/679.56; 382/313, 321; 455/575.1,  
 455/561, 572; 345/156, 168, 169, 172,  
 345/173, 87; 705/17, 18, 22-25; D26/45  
 CPC ..... G06F 1/626; G06F 1/1626; G06F 1/1656;  
 G06F 1/1632; G06F 1/1684; G06F  
 1/1635; G06F 8/63; G06F 17/30091;  
 G06F 9/4401; G06K 7/10881; G06K  
 7/1098; G06K 7/10722; G06K 7/1404;  
 G06K 7/0004; G06K 7/10633; G06K  
 7/10851; G06K 7/1091; G06K 7/1092;  
 G06K 7/1093; G06K 7/089; G06K  
 7/10821; G06K 7/10; G06K 7/109; G06K  
 7/1417; G06K 9/228; G06K 17/0022;  
 G06K 17/00; G06K 2207/1011; G06K  
 2207/1013; G06K 2207/1016; G06K  
 2207/1018; G06K 2017/0051; G06K  
 2017/0067; G06K 2007/10524; G07G  
 1/0081; G07G 1/009; G06Q 20/20; G06Q  
 20/201; G06Q 20/202; G06Q 20/203;  
 G06Q 20/30; G06Q 20/32; G06Q 20/322;  
 G06Q 20/4014; G06Q 10/087; H04N  
 1/00127; H04N 1/00135; H04N 1/00326;  
 H04N 1/00334; H04N 1/00307; H04N  
 1/107; H04N 2201/0084; H04N 2101/00;  
 H04M 1/0249; H04M 1/0262; H04M  
 1/0266; H04M 1/18; H04M 1/23; H04M  
 1/236; H04B 1/3827; H04B 1/3833;  
 H04B 1/3877; H04B 1/3883; H04B  
 1/3888; H04B 2001/3894; H01M 2/1066  
 See application file for complete search history.

D719,040 S 12/2014 Crowe et al.  
 D724,976 S 3/2015 Crowe et al.  
 D725,098 S 3/2015 Neumann  
 D738,242 S 9/2015 Crowe et al.  
 D740,144 S 10/2015 Lamer  
 D741,366 S \* 10/2015 Torres ..... D14/485  
 D760,054 S 6/2016 Huttunen  
 D760,279 S \* 6/2016 Lee ..... D14/489  
 D761,075 S 7/2016 Masalin et al.  
 D761,632 S 7/2016 Masalin et al.  
 D766,424 S 9/2016 Anderson et al.  
 D767,628 S \* 9/2016 Kim ..... D14/488  
 D771,244 S 11/2016 Takemoto et al.  
 D773,946 S 12/2016 Hoofnagle et al.  
 9,664,708 B2 5/2017 Dorman et al.  
 D793,257 S 8/2017 Gao et al.  
 D793,431 S \* 8/2017 Mustonen ..... D14/489  
 9,811,705 B1 11/2017 Suman  
 D805,932 S 12/2017 Koeniger et al.  
 D818,002 S \* 5/2018 Park ..... D14/491  
 D826,234 S 8/2018 Zhou et al.  
 D832,845 S 11/2018 Memke et al.  
 D837,215 S 1/2019 Memke et al.  
 D844,005 S 3/2019 Murray et al.  
 D848,429 S \* 5/2019 Fook ..... D14/428  
 D851,644 S 6/2019 Memke et al.  
 D857,032 S \* 8/2019 Devine ..... D14/485  
 D861,692 S 10/2019 Memke et al.  
 D879,099 S 3/2020 Bidwell et al.  
 2005/0194446 A1 9/2005 Wiklof et al.  
 2008/0002024 A1 1/2008 Schweers  
 2009/0224052 A1 9/2009 Liou  
 2009/0276115 A1 11/2009 Chen  
 2010/0308116 A1 12/2010 Sani et al.  
 2014/0231524 A1 8/2014 Liou  
 2015/0102109 A1 4/2015 Huck  
 2015/0282878 A1 10/2015 Kindermann et al.  
 2016/0100035 A1 \* 4/2016 Martis ..... H04L 67/34  
 709/203  
 2016/0104019 A1 4/2016 Todeschini et al.  
 2017/0076125 A1 3/2017 Ackley et al.  
 2017/0177916 A1 6/2017 Quattrini  
 2019/0005289 A1 1/2019 Kim

(56) **References Cited**

U.S. PATENT DOCUMENTS

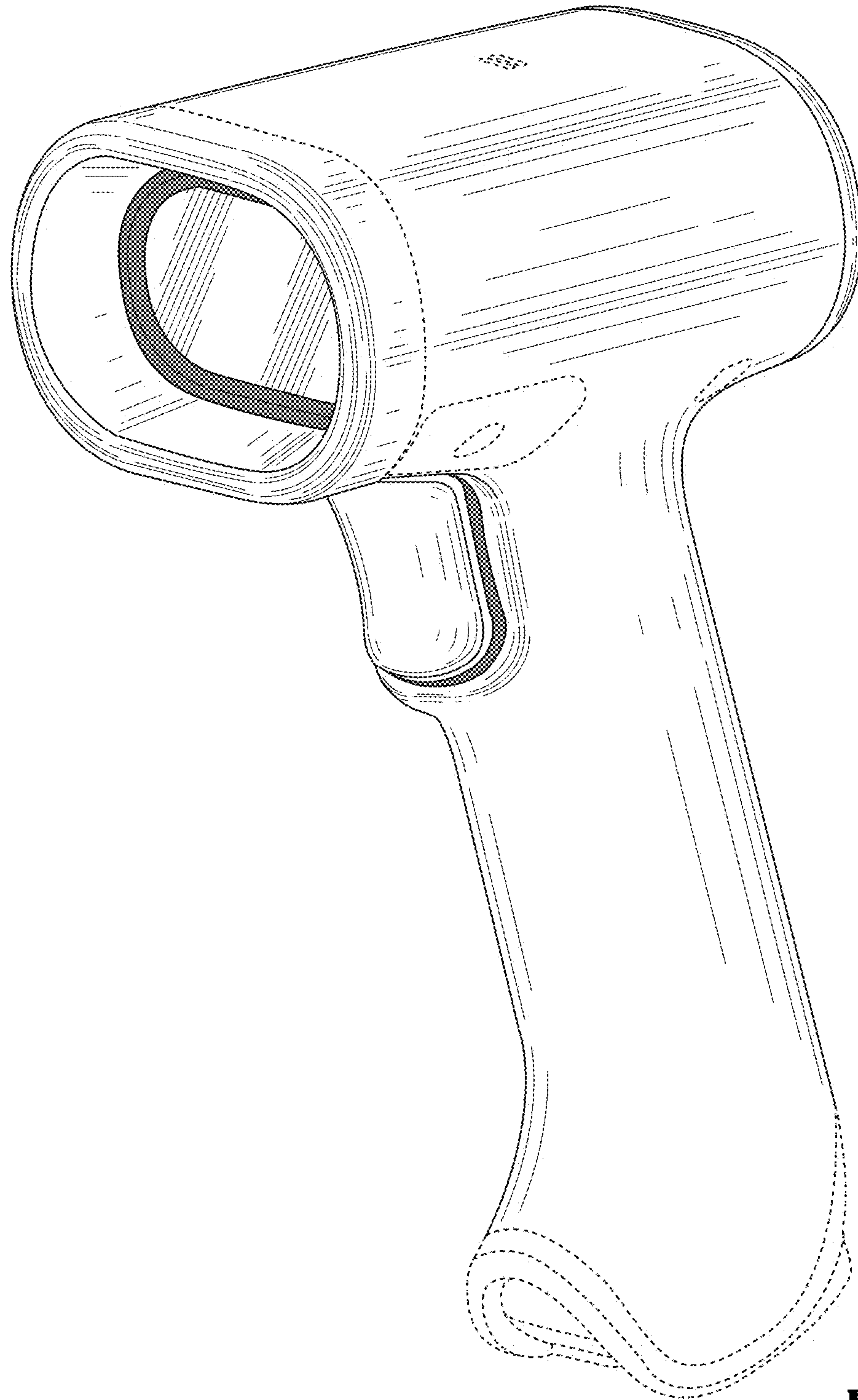
D400,199 S 10/1998 Fitch et al.  
 D437,859 S \* 2/2001 Alvarez ..... D14/489  
 D449,995 S 11/2001 Christianson  
 D518,057 S 3/2006 Johnson et al.  
 D520,997 S 5/2006 Lee et al.  
 D556,761 S 12/2007 MacGregor et al.  
 D566,712 S 4/2008 Ah  
 D570,843 S 6/2008 Mazzone et al.  
 D574,832 S 8/2008 MacGregor et al.  
 D588,596 S 3/2009 Mazzone et al.  
 D606,544 S 12/2009 Di et al.  
 7,633,282 B2 12/2009 Radle et al.  
 7,673,804 B1 3/2010 Hinson et al.  
 7,837,112 B2 11/2010 An  
 D634,227 S 3/2011 Marzynski et al.  
 D661,209 S 6/2012 Janky et al.  
 D664,457 S 7/2012 Buchanan  
 D664,983 S \* 8/2012 Moreau ..... D14/488  
 D678,304 S \* 3/2013 Yakoub ..... D14/486  
 D682,876 S \* 5/2013 MacNeil ..... D14/488  
 D698,674 S 2/2014 Mattsson  
 D705,684 S 5/2014 Takahashi et al.  
 D709,096 S \* 7/2014 Matas ..... D14/492  
 8,763,909 B2 7/2014 Reed et al.  
 D714,453 S \* 9/2014 Mongin ..... D24/185

OTHER PUBLICATIONS

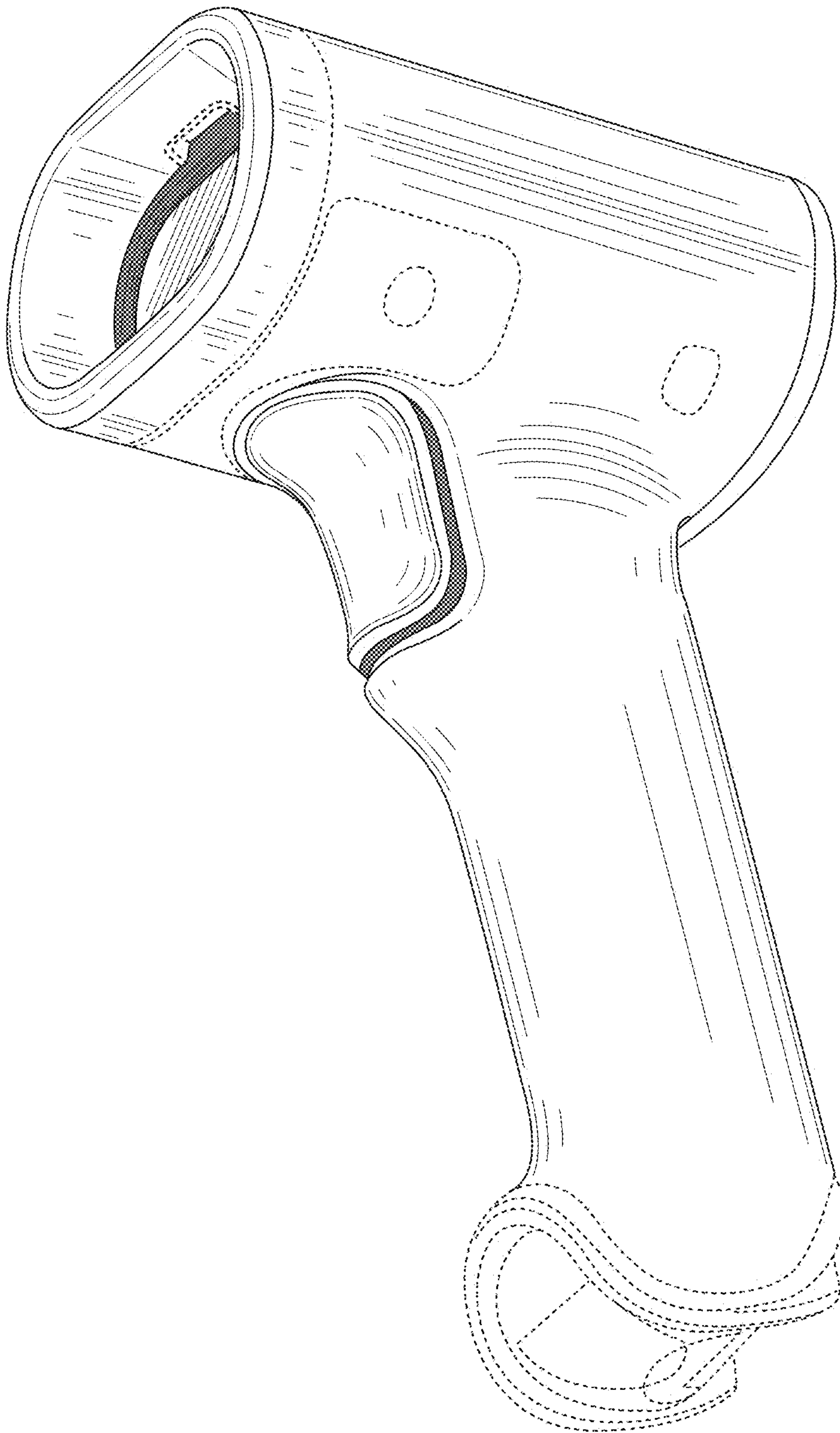
Notice of Grant of Patent Right for Chinese Design Application No.  
 201830665139.7, dated Aug. 19, 2019, 4 pages.  
 Design U.S. Appl. No. 29/572,887, filed Aug. 1, 2016; In re:  
 Bidwell et al., entitled Headset.  
 Design U.S. Appl. No. 29/572,890, filed Aug. 1, 2016; In re:  
 Bidwell et al., entitled Headset.  
 Design U.S. Appl. No. 29/572,896, filed Aug. 1, 2016; In re: Memke  
 et al., entitled Optical Scanner.  
 Design U.S. Appl. No. 29/572,898, filed Aug. 1, 2016; In re: Memke  
 et al., entitled Optical Scanner.  
 Design U.S. Appl. No. 29/572,902, filed Aug. 1, 2016; In re: Memke  
 et al., entitled Optical Scanner and Base.  
 Design U.S. Appl. No. 29/572,904, filed Aug. 1, 2016; In re:  
 Bidwell et al., entitled Optical Scanner.  
 Design U.S. Appl. No. 29/572,907, filed Aug. 1, 2016; In re:  
 Bidwell et al., entitled Optical Scanner.  
 Design U.S. Appl. No. 29/572,909, filed Aug. 1, 2016; In re:  
 Bidwell et al., entitled Printer.

\* cited by examiner

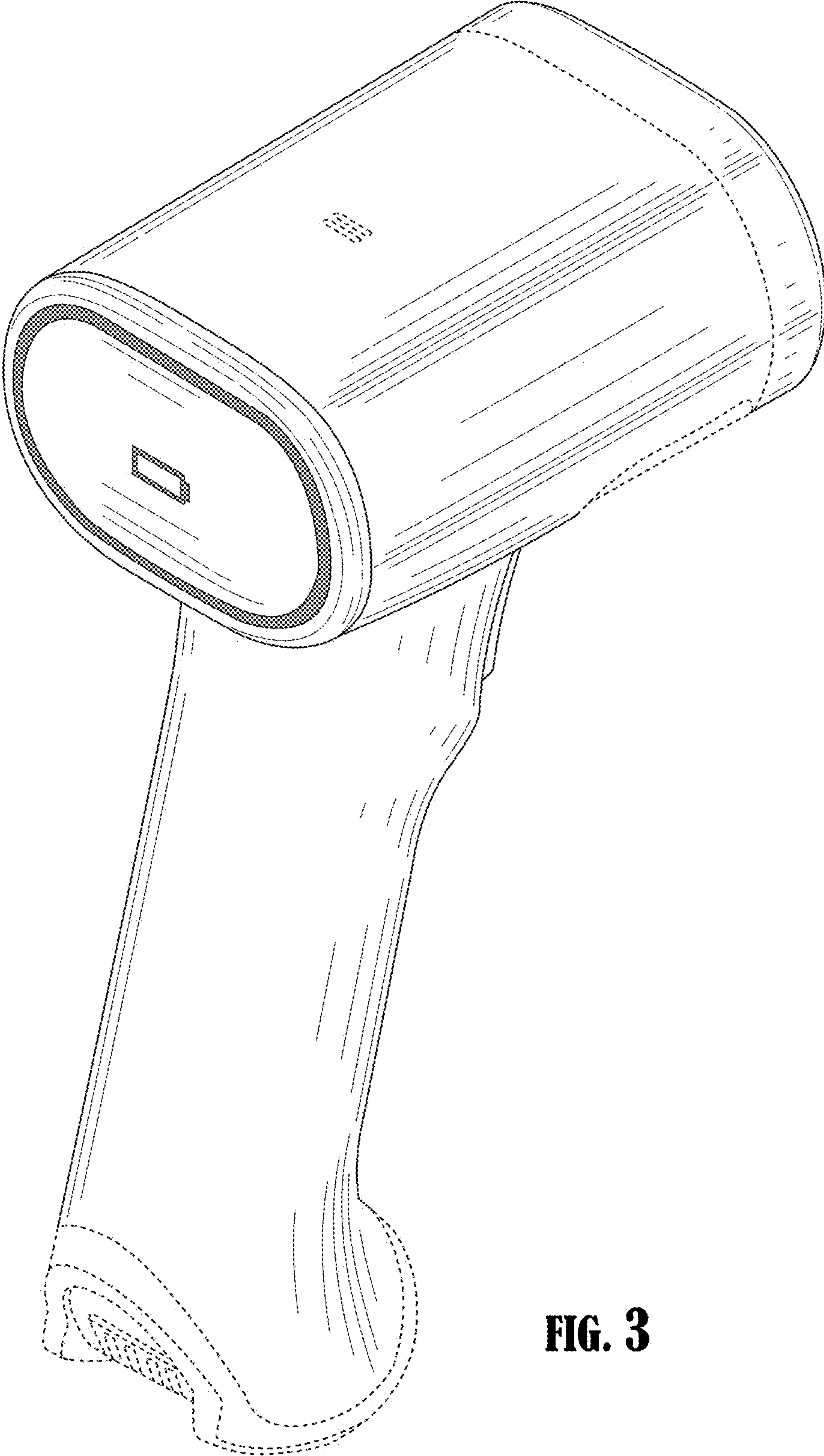




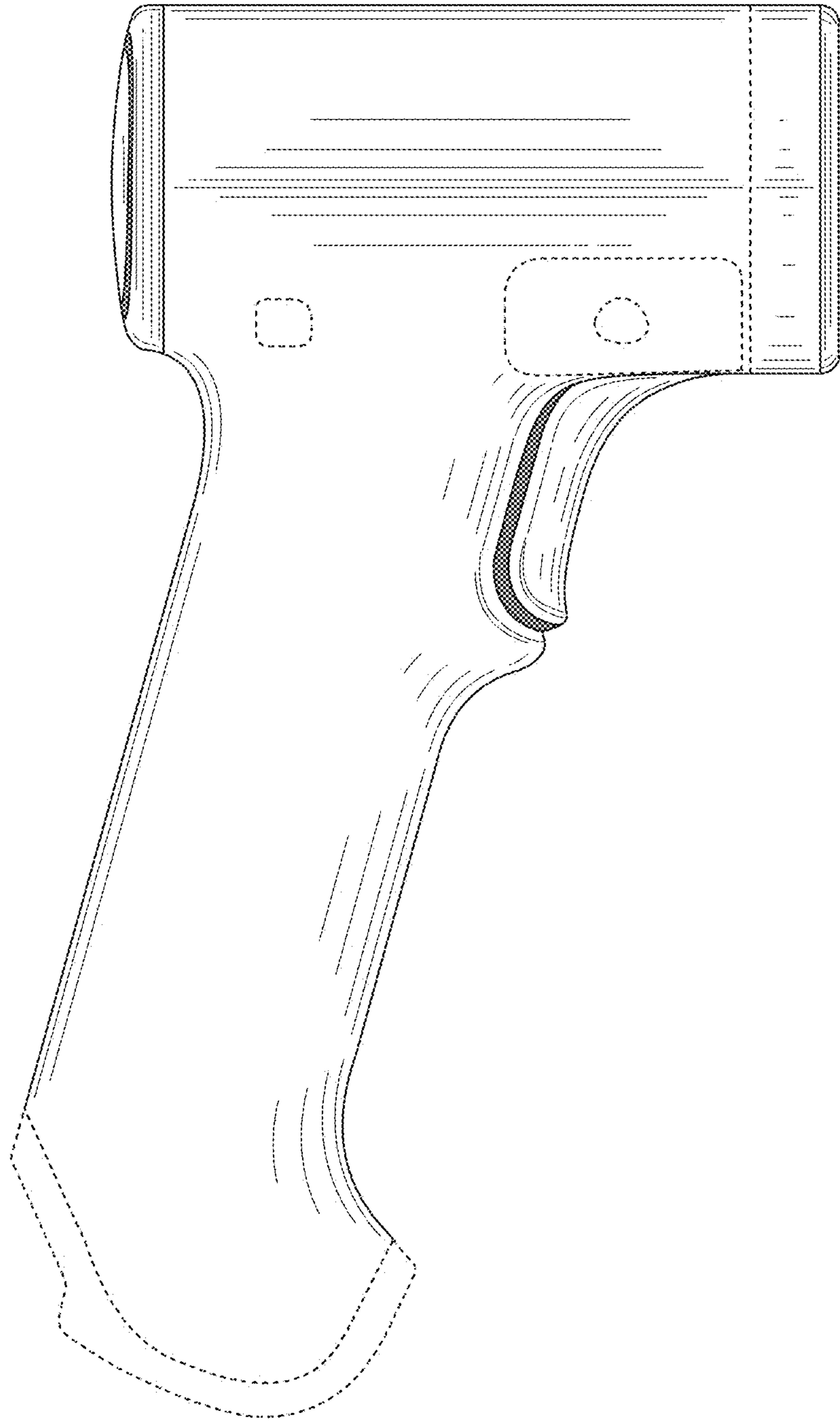
**FIG. 1**



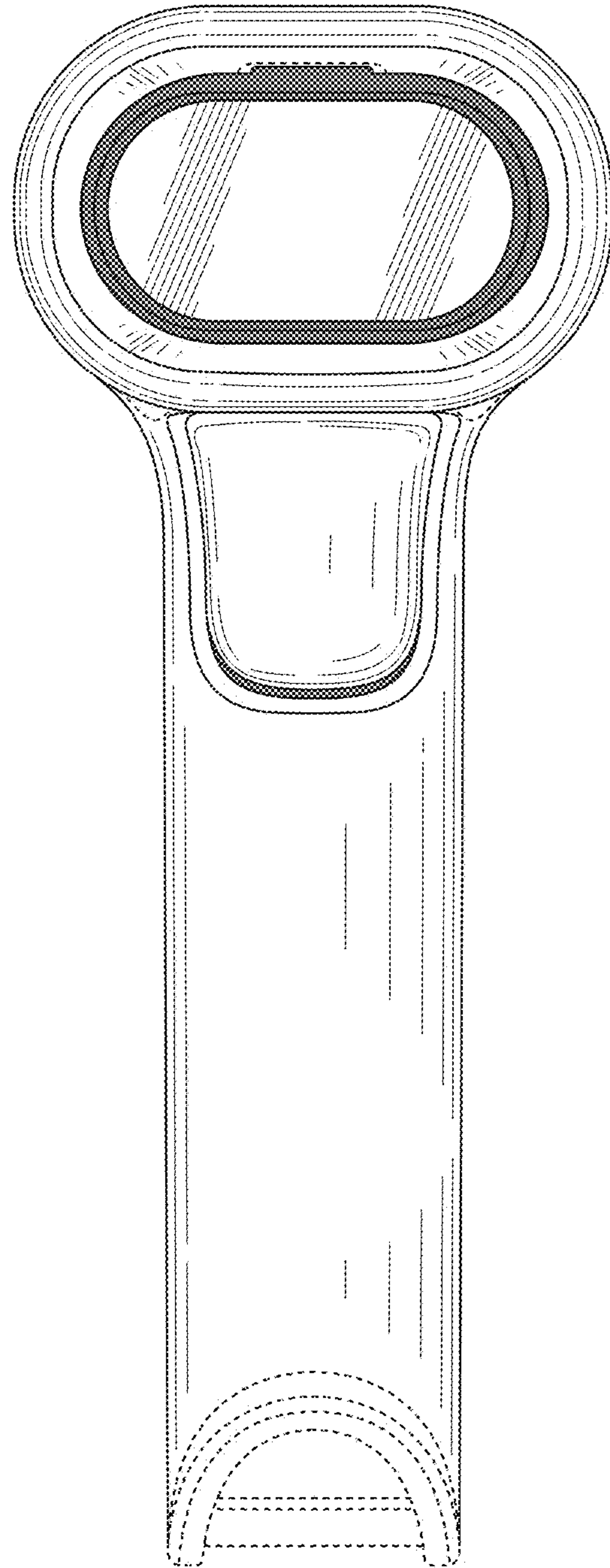
**FIG. 2**



**FIG. 3**

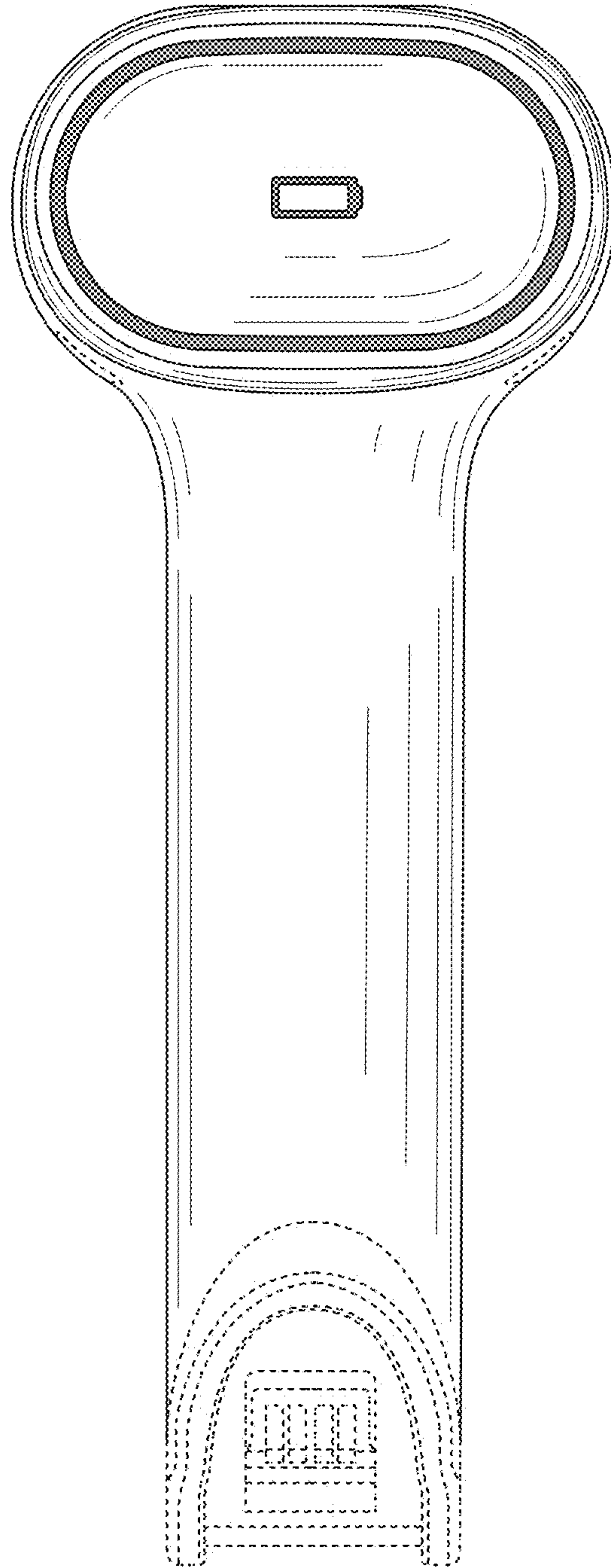


**FIG. 4**



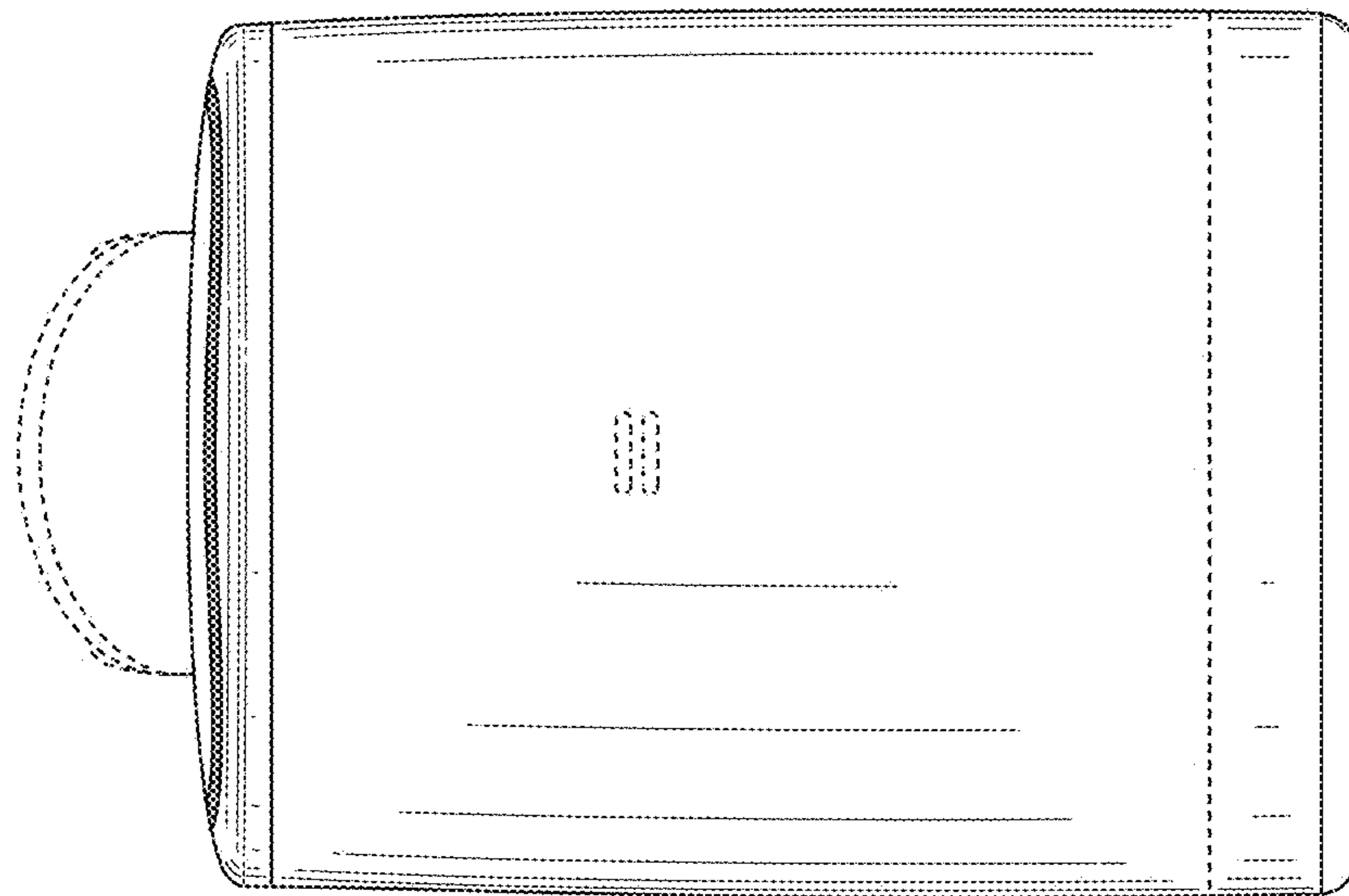
**FIG. 5**





**FIG. 6**





**FIG. 7**

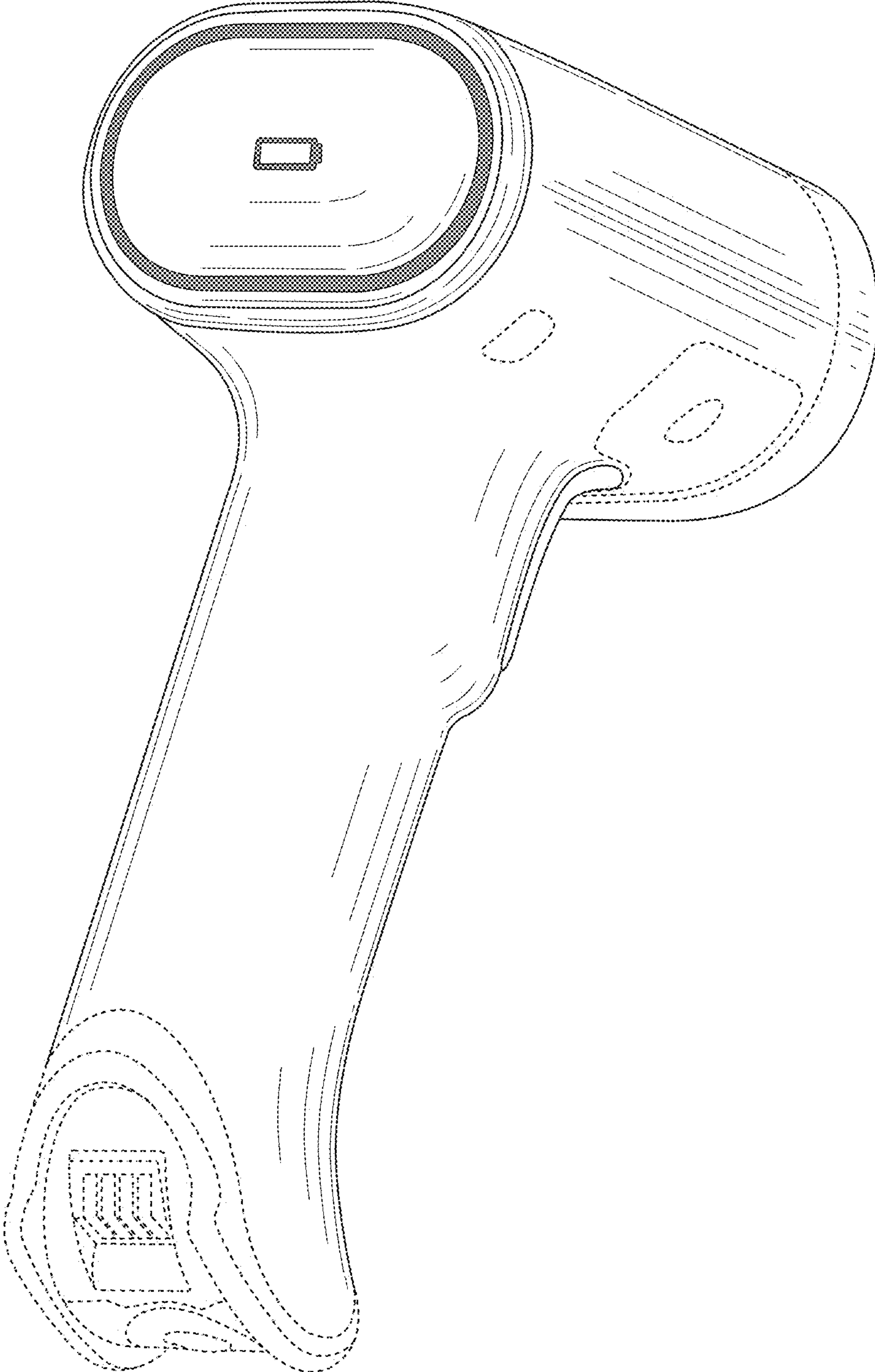


FIG. 8